



US00D750632S

(12) **United States Design Patent**
Diebel

(10) **Patent No.:** **US D750,632 S**
(45) **Date of Patent:** **** Mar. 1, 2016**

(54) **COVER FOR ELECTRONIC TABLET**

(71) Applicant: **Incase Designs Corp.**, Chino, CA (US)

(72) Inventor: **Markus Diebel**, San Francisco, CA (US)

(73) Assignee: **Incase Designs Corp.**, Chino, CA (US)

(**) Term: **14 Years**

(21) Appl. No.: **29/469,241**

(22) Filed: **Oct. 8, 2013**

Related U.S. Application Data

(63) Continuation of application No. 29/419,054, filed on Apr. 24, 2012, now Pat. No. Des. 691,143, which is a continuation of application No. 29/388,000, filed on Mar. 22, 2011, now Pat. No. Des. 658,188, and a continuation of application No. 29/387,775, filed on Mar. 17, 2011, now Pat. No. Des. 658,187.

(51) **LOC (10) Cl.** **14-02**

(52) **U.S. Cl.**

USPC **D14/440**

(58) **Field of Classification Search**

USPC D14/439, 440, 345, 341-344, 346, 371, D14/125-129, 327, 248; 206/320, 576, 305, 206/215, 232, 524, 425, 472, 224, 312, 206/387.13, 307, 387.1, 756, 45.2-45.34, 206/764, 765; D3/286, 283, 295, 273, 303, D3/247, 215, 245, 232, 900, 249, 201, 276, D3/294, 301, 319, 203.1, 323, 227; 224/929; 708/110; 190/109, 100, 119, 190/901; 361/683, 725, 681, 686, 679, 361/679.01; 229/87.5, 67.1, 800; 220/522, 220/4.23; 345/169, 104, 156, 168, 173, 345/179, 672, 174; 150/147, 135; 402/2, 402/70-79, 500-502; 281/45, 38, 31, 29, 281/19.1, 34; D19/3, 26, 27, 33, 75, 86, 22, D19/90, 59, 60, 78, 83; D18/7, 17, 18; 383/97, 4, 110; 178/18.03, 18.01; 349/12; 428/332; D6/632, 407, 596, D6/601, 310, 611, 502, 583, 582, 595; 248/458-460; D13/102, 184; D20/18,

D20/27, 42; 40/654.01, 536; D15/122; D21/480, 690; D25/48; D12/401, 182, D12/203, 400, 191; D24/205, 206, 200, D24/188, 207, 212, 215; 280/808; 112/420; 5/420; 604/308; 601/15, 108, 112, 60, 601/64, 70, 71; 160/370.23, 370.21; D7/629, 392.1; D28/7, 8, 83, 84, 82; 15/118; D32/40; 424/443; 442/123; D23/304; D9/435

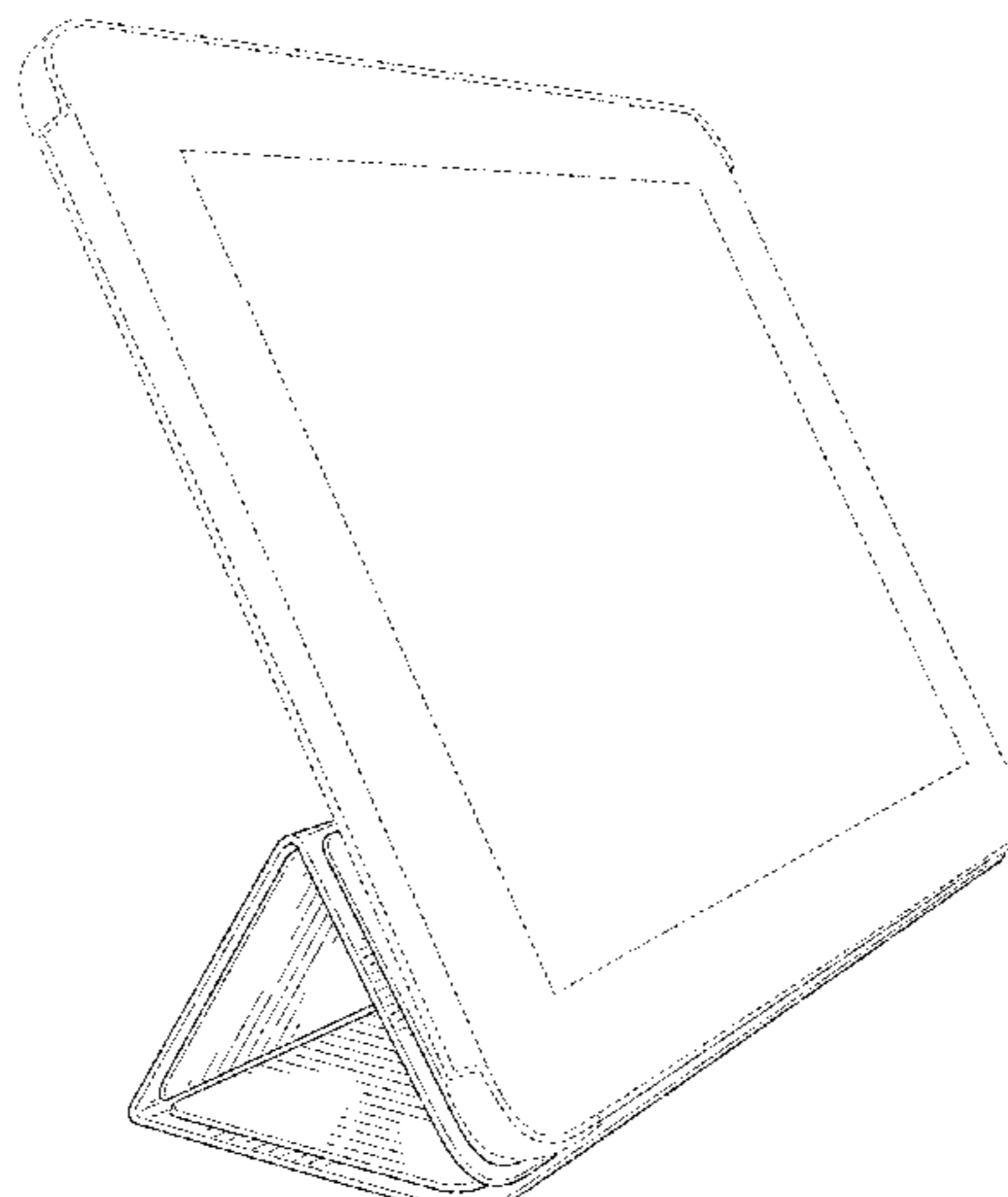
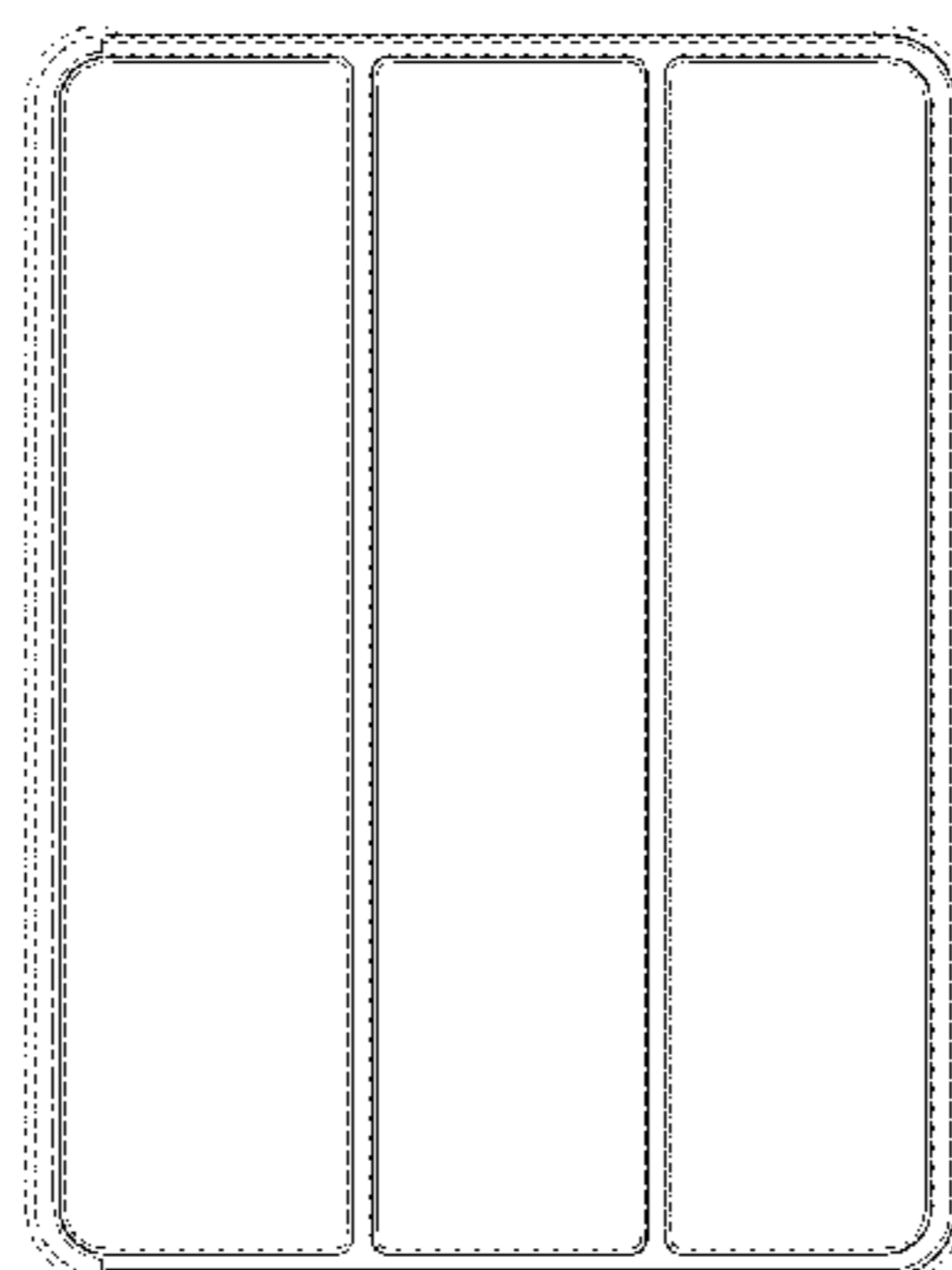
CPC G06F 1/00; G06F 1/16; G06F 1/1601; G06F 1/1603; G06F 1/1607; G06F 1/1611; G06F 1/1613; G06F 1/1616; G06F 1/1618; G06F 1/162; G06F 1/1622; G06F 1/1626; G06F 1/1632; G06F 1/1637; G06F 1/1628; G06F 2200/1633; A45C 11/00; A45C 13/005; A45C 5/02; A45C 2011/003; A45C 2013/025; A45C 2200/15; Y10T 29/49826; Y10T 29/49002

See application file for complete search history.

(56) **References Cited**

U.S. PATENT DOCUMENTS

144,315 A	11/1873	Cooper	
640,534 A *	1/1900	Cheney	A61F 7/02 165/46
D640,534 S	1/1900	Cheney	
1,347,839 A	7/1920	Coons	
1,356,593 A	10/1920	Bettiker	
1,659,395 A	2/1928	Douglas	
1,955,040 A	4/1934	Wittcoff	
D104,699 S	5/1937	Pilliod	
D123,984 S	12/1940	Picel	
2,279,164 A	4/1942	Gettleman	
D137,864 S	5/1944	Jolles	
D164,628 S	9/1951	Davis	
2,596,292 A	5/1952	Sackner	
D167,065 S	6/1952	Bohanan	
D167,743 S	9/1952	Dorfman	
2,631,046 A	3/1953	Stephens	
2,675,807 A	4/1954	Pursel	
2,738,834 A	3/1956	Jaffe et al.	
2,834,703 A	5/1958	Atkinson	
2,834,970 A	5/1958	Nappe	
2,983,431 A	5/1961	Turan	
3,015,834 A	1/1962	Marrinson	
D192,953 S	5/1962	Zelony	
3,061,844 A	11/1962	Coursey	



US D750,632 S

<p>6,634,691 B2 10/2003 Henderson D484,736 S 1/2004 Sarnoff D487,521 S 3/2004 Link D487,551 S 3/2004 Lee 6,702,359 B2 3/2004 Armstrong 6,763,942 B1 7/2004 Yeh D494,469 S 8/2004 Solowiejko 6,772,879 B1 8/2004 Domotor D496,322 S 9/2004 Farney D498,308 S 11/2004 Mock 6,829,140 B2 * 12/2004 Shimano G06F 1/162 248/919</p> <p>D505,041 S 5/2005 Lesosky D511,838 S 11/2005 Vedra D521,553 S 5/2006 Serman 7,036,162 B1 * 5/2006 Gatten A47C 21/04 5/420</p> <p>7,037,021 B2 5/2006 Raschke 7,038,909 B1 * 5/2006 Chen G06F 1/203 361/679.48</p> <p>7,065,814 B2 * 6/2006 Rutkowski A47D 5/006 128/876</p> <p>D527,535 S 9/2006 Sturba D538,096 S 3/2007 Bartell D538,575 S 3/2007 Bartell D544,922 S 6/2007 Shaffer D548,782 S 8/2007 Nash D550,137 S 9/2007 Kraines D551,265 S 9/2007 Brinson D553,410 S 10/2007 Kramer D557,347 S 12/2007 Nishimoto 7,318,521 B2 1/2008 Lau 7,322,063 B2 1/2008 Esimai D560,947 S * 2/2008 Kreucher D6/601 D564,223 S 3/2008 Messineo D565,196 S 3/2008 Mock D566,111 S 4/2008 Nakagawa D572,709 S 7/2008 Nakagawa D574,962 S 8/2008 Atkins 7,435,103 B2 10/2008 Ma D581,857 S 12/2008 Bogard D581,859 S 12/2008 Bogard D581,865 S 12/2008 Koza D582,047 S 12/2008 Yim D582,475 S 12/2008 Guest D583,479 S 12/2008 Yim D583,959 S 12/2008 Yim D584,141 S 1/2009 Smith D584,612 S 1/2009 Ianello D584,911 S * 1/2009 Hisey D21/803 D587,797 S 3/2009 Blanchard D587,812 S 3/2009 Uchiyama D592,402 S 5/2009 Ahlgrim 7,537,192 B2 * 5/2009 Al-Haleem A47B 23/044 248/454</p> <p>D596,305 S 7/2009 Usui D597,302 S 8/2009 Adams D599,286 S 9/2009 Horito D599,484 S 9/2009 Gray D599,761 S 9/2009 Birsell D599,959 S 9/2009 Washington D600,699 S 9/2009 Johnston et al. 7,584,841 B2 9/2009 Chan et al. D601,369 S 10/2009 Mock D602,598 S 10/2009 Yim D603,906 S 11/2009 Miller D604,463 S * 11/2009 Pittman D30/118 D604,727 S 11/2009 Chu D605,940 S 12/2009 Lin D606,119 S 12/2009 Miller D606,120 S 12/2009 Miller D606,121 S 12/2009 Miller D607,253 S 1/2010 McCammon 7,643,274 B2 1/2010 Bekele D609,358 S * 2/2010 Yim D24/206 D609,360 S 2/2010 Yim D609,912 S 2/2010 Kyono D613,062 S 4/2010 Romero D613,982 S 4/2010 Wilson</p>	<p>D616,930 S 6/2010 Engel 7,735,644 B2 6/2010 Sirichai et al. D620,122 S 7/2010 Cotton D620,877 S 8/2010 Rusher D622,061 S 8/2010 Higginson D623,940 S 9/2010 Ianello D624,615 S 9/2010 Kusmierz 7,799,063 B2 * 9/2010 Ingram A61F 7/02 607/104</p> <p>D627,078 S 11/2010 Matsuo D627,117 S 11/2010 Hale D627,775 S 11/2010 Li D628,004 S 11/2010 Moorefield D628,132 S 11/2010 Grzyb D628,197 S 11/2010 Li D628,705 S 12/2010 Usui D628,706 S 12/2010 Usui D629,195 S * 12/2010 Jusic D3/273 D629,914 S 12/2010 Hunter D631,912 S 2/2011 Epstein D632,660 S 2/2011 Donowho D633,388 S 3/2011 Andre D633,673 S 3/2011 McKnight D633,879 S 3/2011 Heng D635,135 S 3/2011 Li D635,564 S 4/2011 Li D637,399 S 5/2011 Romero D638,526 S 5/2011 Newman D638,627 S 5/2011 Romero D640,089 S 6/2011 Green D641,720 S 7/2011 Heng 7,980,526 B2 * 7/2011 Lord A47B 21/0314 108/1</p> <p>8,042,241 B2 * 10/2011 McConnell B60N 2/28 29/91.1</p> <p>8,070,220 B2 * 12/2011 Reeb A47C 7/66 135/95</p> <p>8,138,869 B1 * 3/2012 Lauder G06F 1/1613 24/303</p> <p>8,143,982 B1 * 3/2012 Lauder G06F 1/1626 206/320</p> <p>D657,832 S * 4/2012 Beber D21/683 D658,186 S * 4/2012 Akana D14/440 D658,188 S * 4/2012 Diebel D14/440 D663,304 S * 7/2012 Akana D14/440 8,253,518 B2 * 8/2012 Lauder G06F 1/1647 206/320</p> <p>8,282,065 B1 * 10/2012 Stone A47B 23/044 16/221</p> <p>D671,886 S * 12/2012 Schacht D13/102 D671,948 S * 12/2012 Akana D14/440 D672,353 S * 12/2012 Liu D14/440 D672,781 S * 12/2012 Lu D14/440 D673,158 S * 12/2012 Yang D14/440 8,344,836 B2 * 1/2013 Lauder H01F 7/04 206/320</p> <p>D675,626 S * 2/2013 Williamson D14/440 D676,050 S * 2/2013 Sanz D14/440 D678,272 S * 3/2013 Groene D14/341 D678,277 S * 3/2013 Groene D14/391 D678,300 S * 3/2013 Groene D14/455 D678,881 S * 3/2013 Groene D14/391 D678,882 S * 3/2013 Groene D14/391 D679,279 S * 4/2013 Yang D14/440 D679,715 S * 4/2013 Akana D14/440 D681,033 S * 4/2013 Chen D14/345 D681,041 S * 4/2013 Phillips D14/440 D681,641 S * 5/2013 Van Den Nieuwenhuizen D14/440</p> <p>D682,836 S * 5/2013 Akana D14/440 D682,838 S * 5/2013 Akana D14/440 D682,839 S * 5/2013 Sampson D14/447 D683,731 S * 6/2013 Chiu D14/345 D685,381 S * 7/2013 Symons D14/447 D685,803 S * 7/2013 Akana D14/440 D685,916 S * 7/2013 Hognlund D24/206 D686,627 S * 7/2013 Akana D14/440 8,474,609 B1 * 7/2013 Hong A45C 11/00 206/320</p>
--	---

2015/0189781 A1* 7/2015 Klepar G06F 1/16
206/45.2
2015/0237979 A1* 8/2015 Huang A45C 11/00
206/45.25
2015/0263776 A1* 9/2015 Shyu H04B 1/3888
455/575.8
2015/0266610 A1* 9/2015 Melmon B65D 5/5206
206/45.23
2015/0280768 A1* 10/2015 Huang 455/575.8
2015/0282354 A1* 10/2015 Spollen H05K 5/0226
206/45.2

OTHER PUBLICATIONS

Apple Smart Cover Product, Mar. 2, 2011, 36 pages.
Speck PixelSkin HD Wrap Product, Mar. 15, 2011, 4 pages.
Speck CandyShell Wrap Product, Jan. 25, 2011, 10 pages.
Apple iPad Case Product, Mar. 15, 2010, 12 pages.

* cited by examiner

Primary Examiner — Susan Moon Lee

(74) *Attorney, Agent, or Firm* — Aka Chan LLP

(57)

CLAIM

The ornamental design for a cover for electronic tablet, as shown and described.

DESCRIPTION

FIG. 1 shows a perspective view of a design for a cover for electronic tablet.

FIG. 2 shows a front view of the cover.

FIG. 3 shows a bottom view of an interior of the cover.

FIG. 4 shows a perspective view of cover folded into a first stand position; and,

FIG. 5 shows a perspective view of cover folded into a second stand position.

The broken-line features in the figures are for illustrative purposes only and form no part of the claimed design.

1 Claim, 5 Drawing Sheets

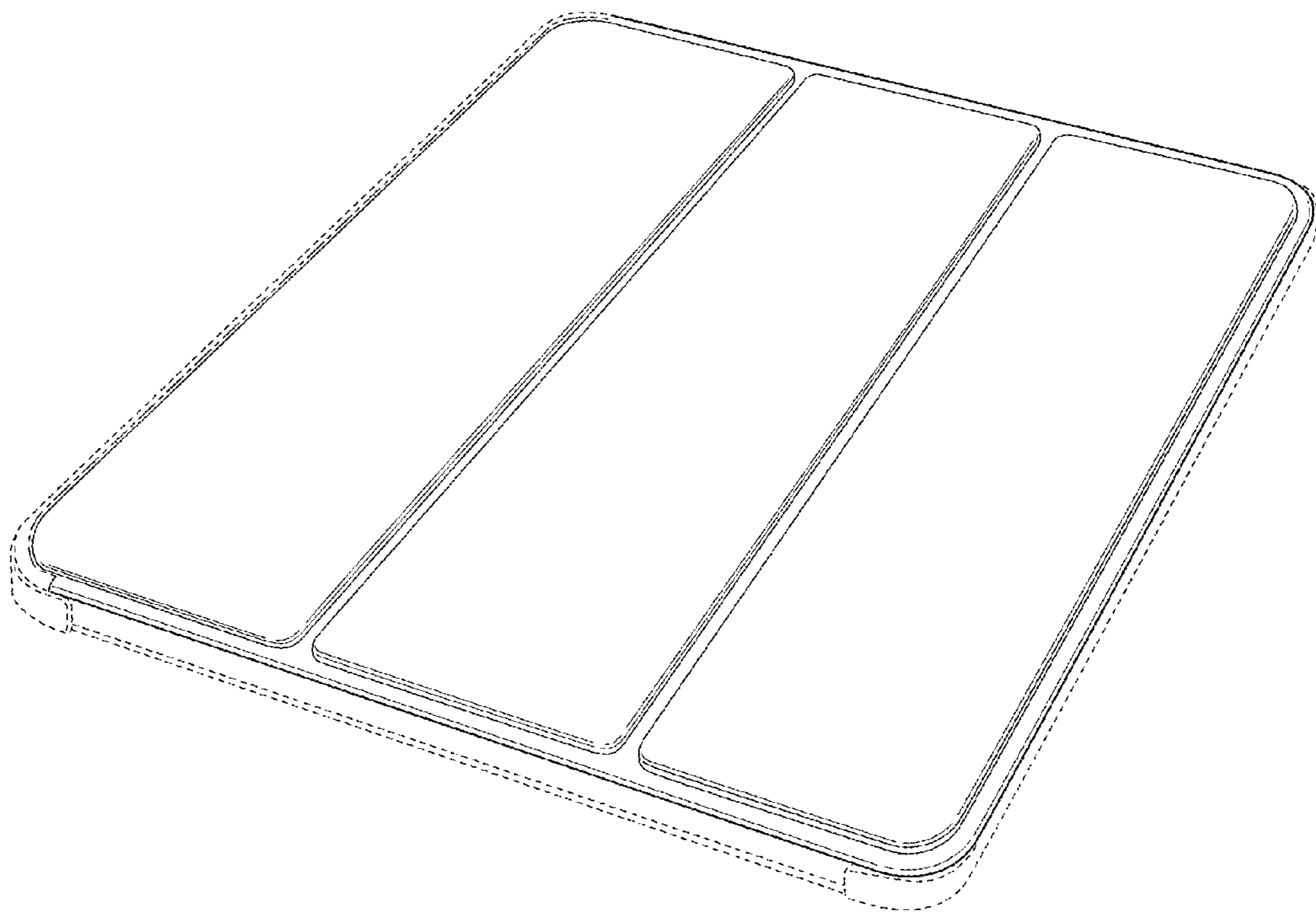


FIG. 1

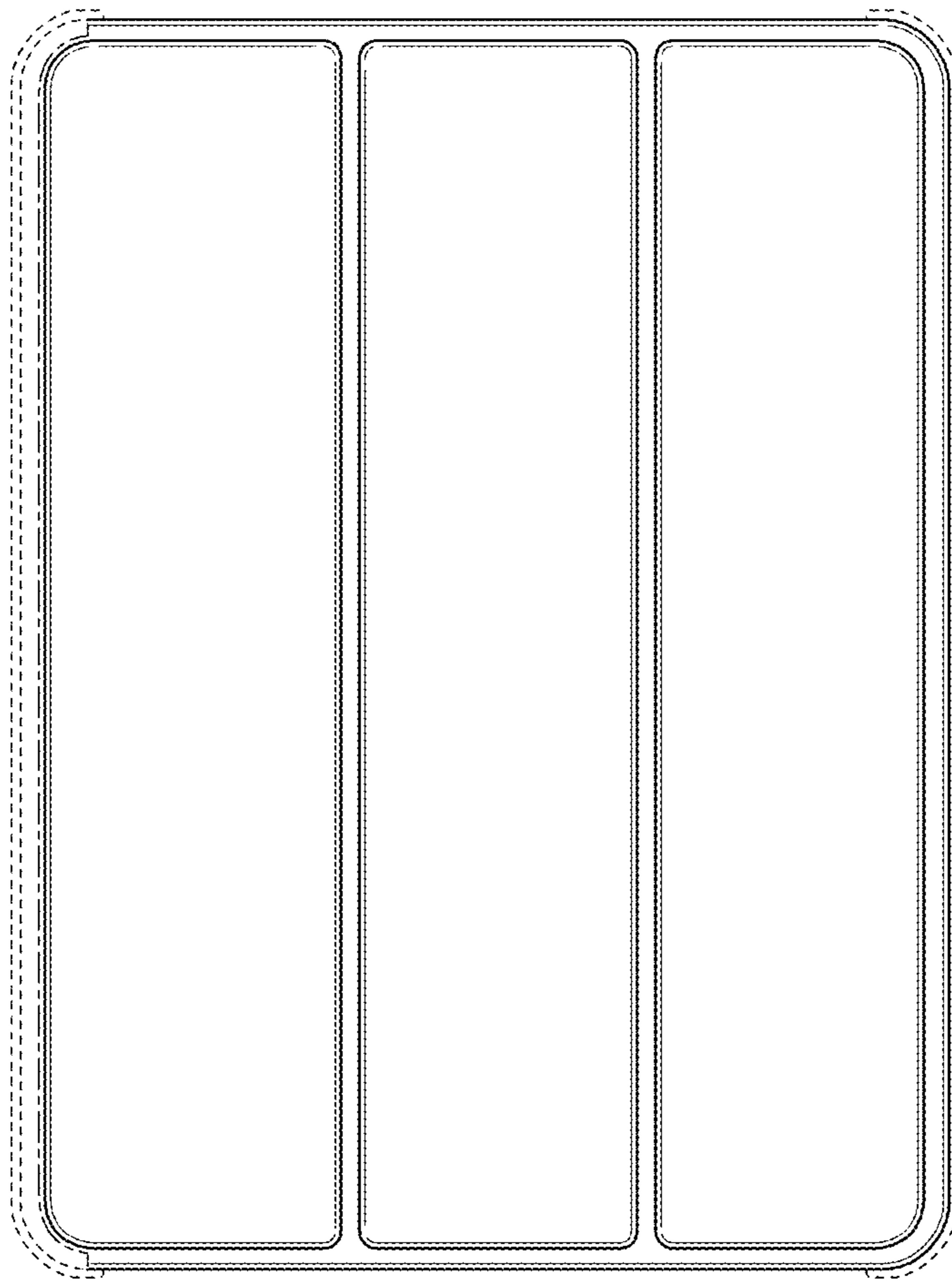


FIG. 2

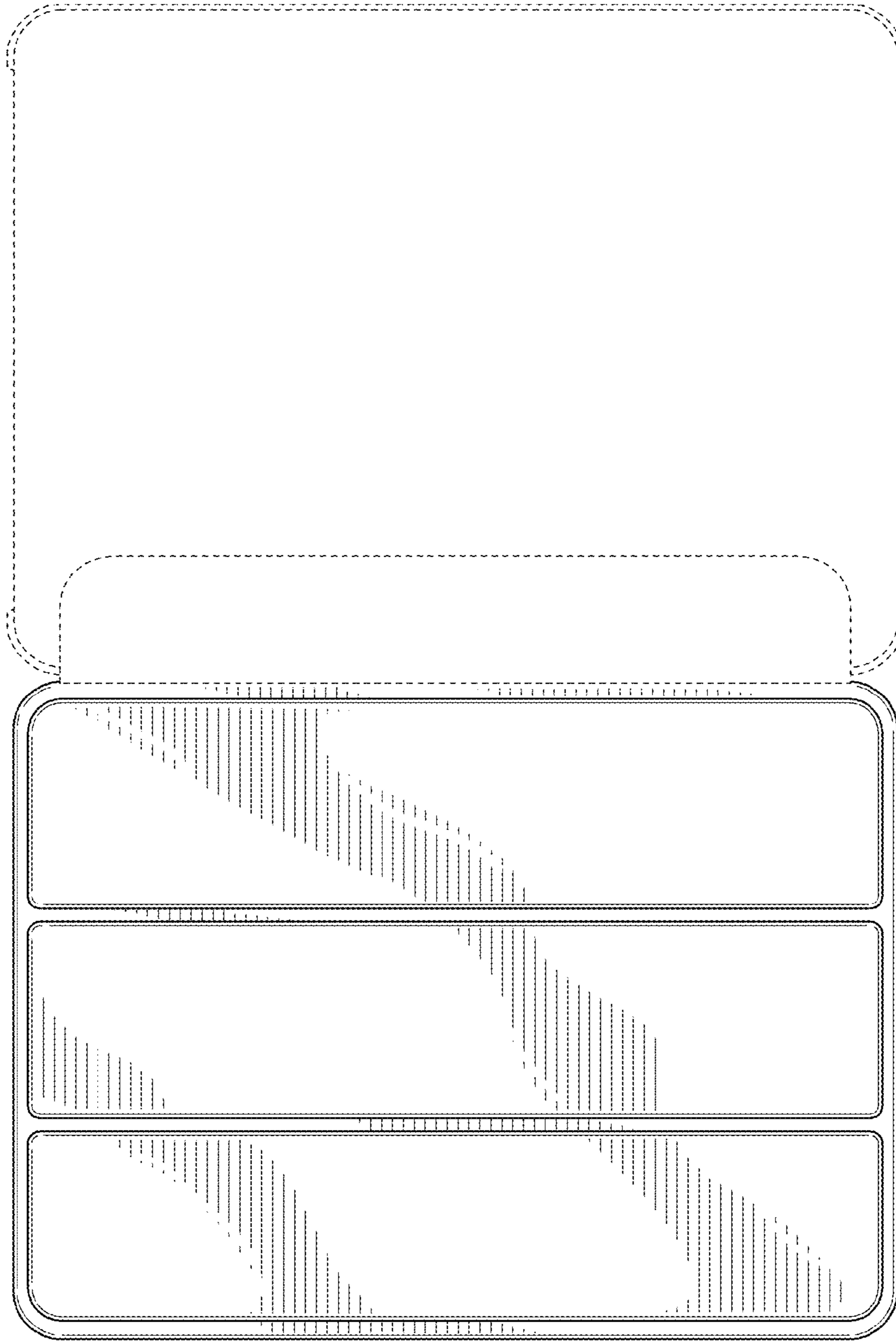


FIG. 3

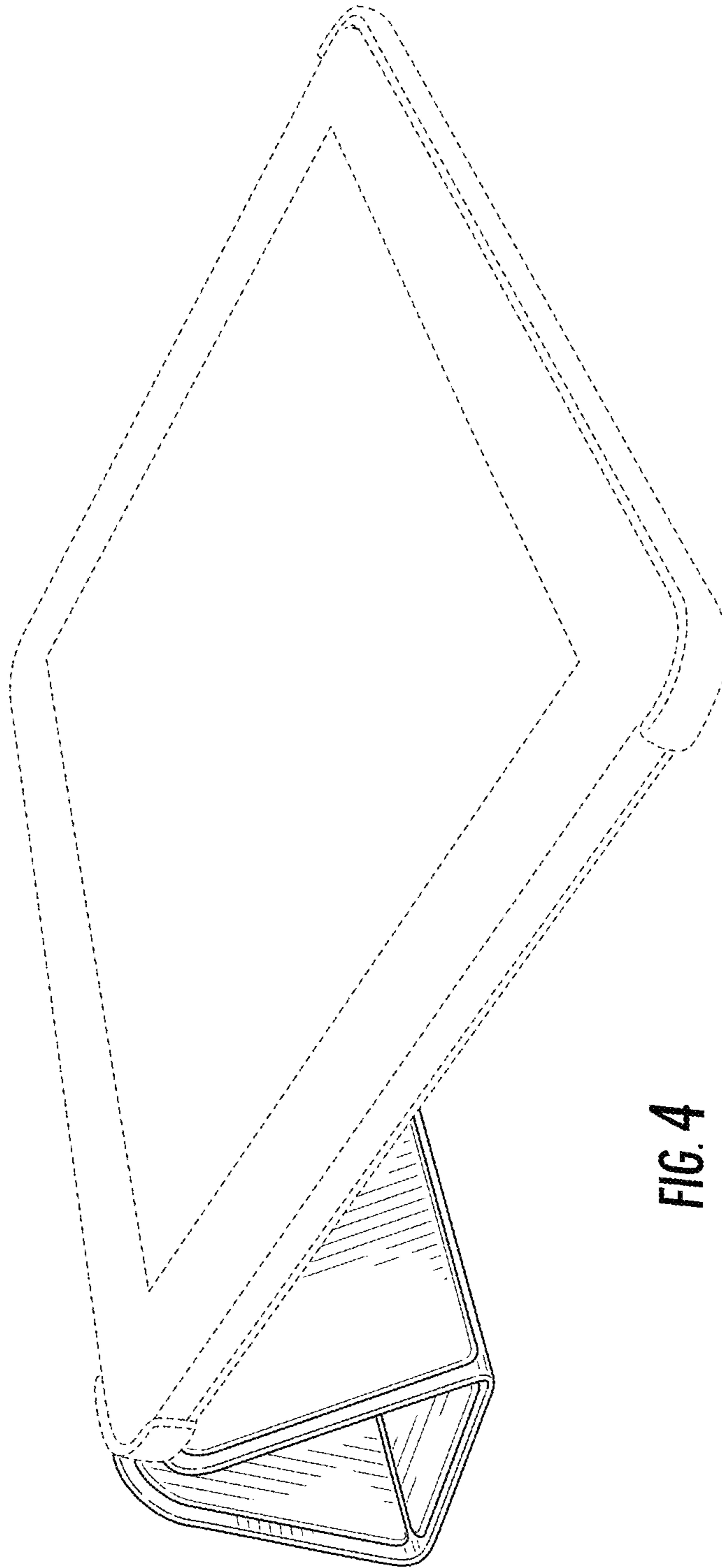


FIG. 4

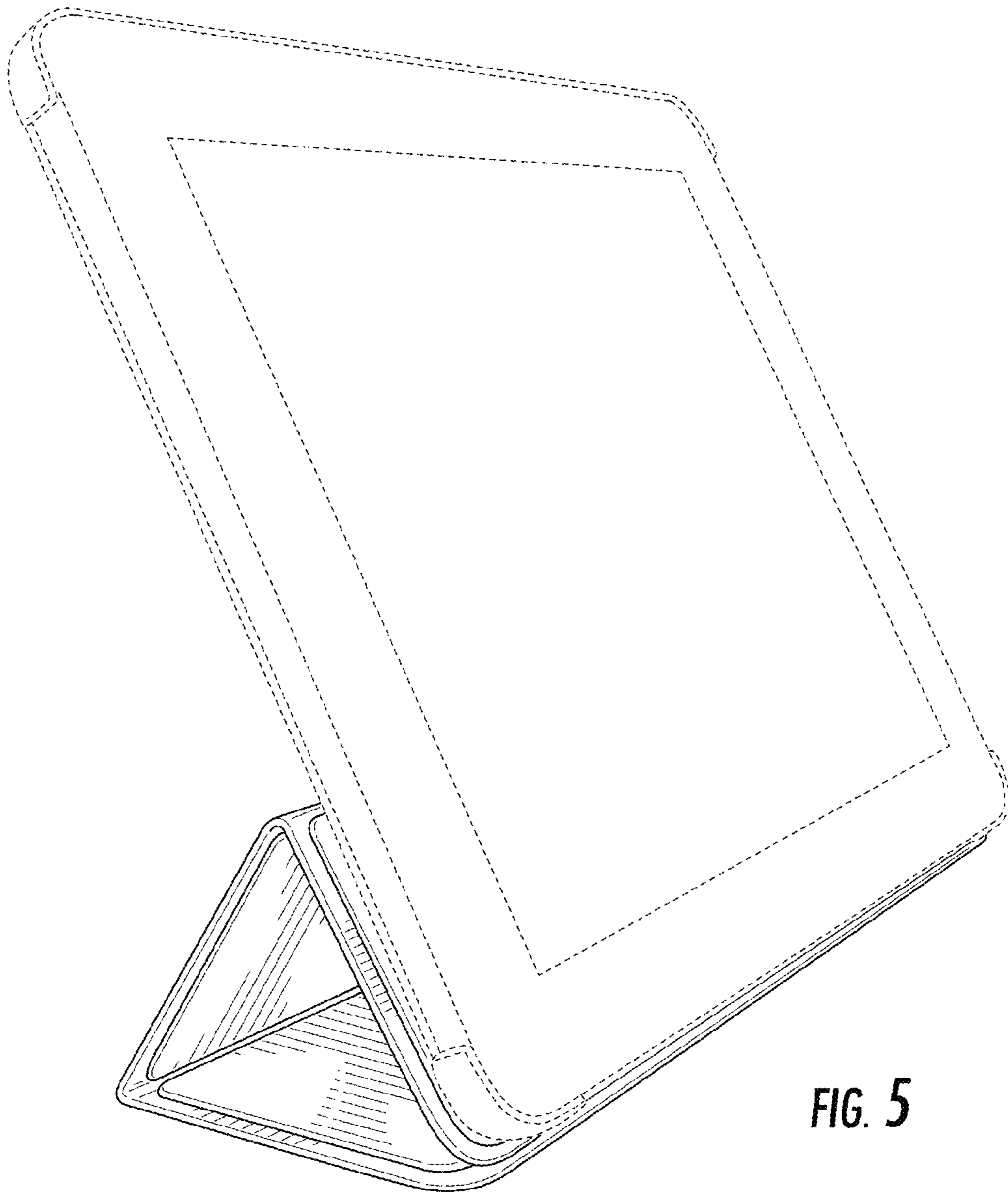


FIG. 5