

US00D750627S

(12) **United States Design Patent**
Lee et al.

(10) **Patent No.:** **US D750,627 S**
(45) **Date of Patent:** **** Mar. 1, 2016**

(54) **MONITOR**

(71) Applicant: **Dell Products L.P.**, Round Rock, TX (US)

(72) Inventors: **Yun Qin Lee**, Singapore (SG); **Justin C. Lyles**, San Diego, CA (US); **Brian Hargrove Leonard**, Austin, TX (US); **Toshiyuki Tanaka**, Mendham, NJ (US); **Wai Lim Chan**, Singapore (SG); **Jung-Hwan Hong**, Austin, TX (US); **Etienne Thetard**, Singapore (SG)

(73) Assignee: **Dell Products L.P.**, Round Rock, TX (US)

(**) Term: **15 Years**

(21) Appl. No.: **29/528,806**

(22) Filed: **Jun. 1, 2015**

(51) **LOC (10) Cl.** **14-02**

(52) **U.S. Cl.**
USPC **D14/375**

(58) **Field of Classification Search**
USPC D14/125–135, 371–382, 336, 448–452
CPC G06F 1/1601; G06F 2200/1612; G06F 1/1616; G06F 1/1677; G06F 1/1681; F16M 11/2021; F16M 11/04; F16M 11/041; F16M 11/105; F16M 11/12; F16M 11/18; F16M 11/22; F16M 11/24; F16M 2200/024; F16M 2200/068; F16M 11/02; F16M 11/14; F16M 11/2064; F16M 11/42; F16M 13/00
See application file for complete search history.

(56) **References Cited**

U.S. PATENT DOCUMENTS

D558,200 S * 12/2007 Tsai D14/375
D558,201 S * 12/2007 Park et al. D14/375

D599,755 S * 9/2009 Jin et al. D14/126
D601,146 S * 9/2009 Chueh et al. D14/375
D602,453 S * 10/2009 Ding et al. D14/126
D694,206 S * 11/2013 Seo et al. D14/126
D714,289 S * 9/2014 Shoda et al. D14/371
D724,040 S * 3/2015 Chan D14/126
D726,717 S * 4/2015 Lee et al. D14/371
RE45,547 E * 6/2015 Andre et al. D14/375
2005/0088808 A1 * 4/2005 Michoux et al. 361/681
2006/0076463 A1 * 4/2006 Drew 248/121
2006/0175514 A1 * 8/2006 Yen 248/371

* cited by examiner

Primary Examiner — Susan Bennett Hattan

Assistant Examiner — Brett Miller

(74) *Attorney, Agent, or Firm* — Terrile, Cannatti, Chambers & Holland, LLP; Stephen A. Terrile

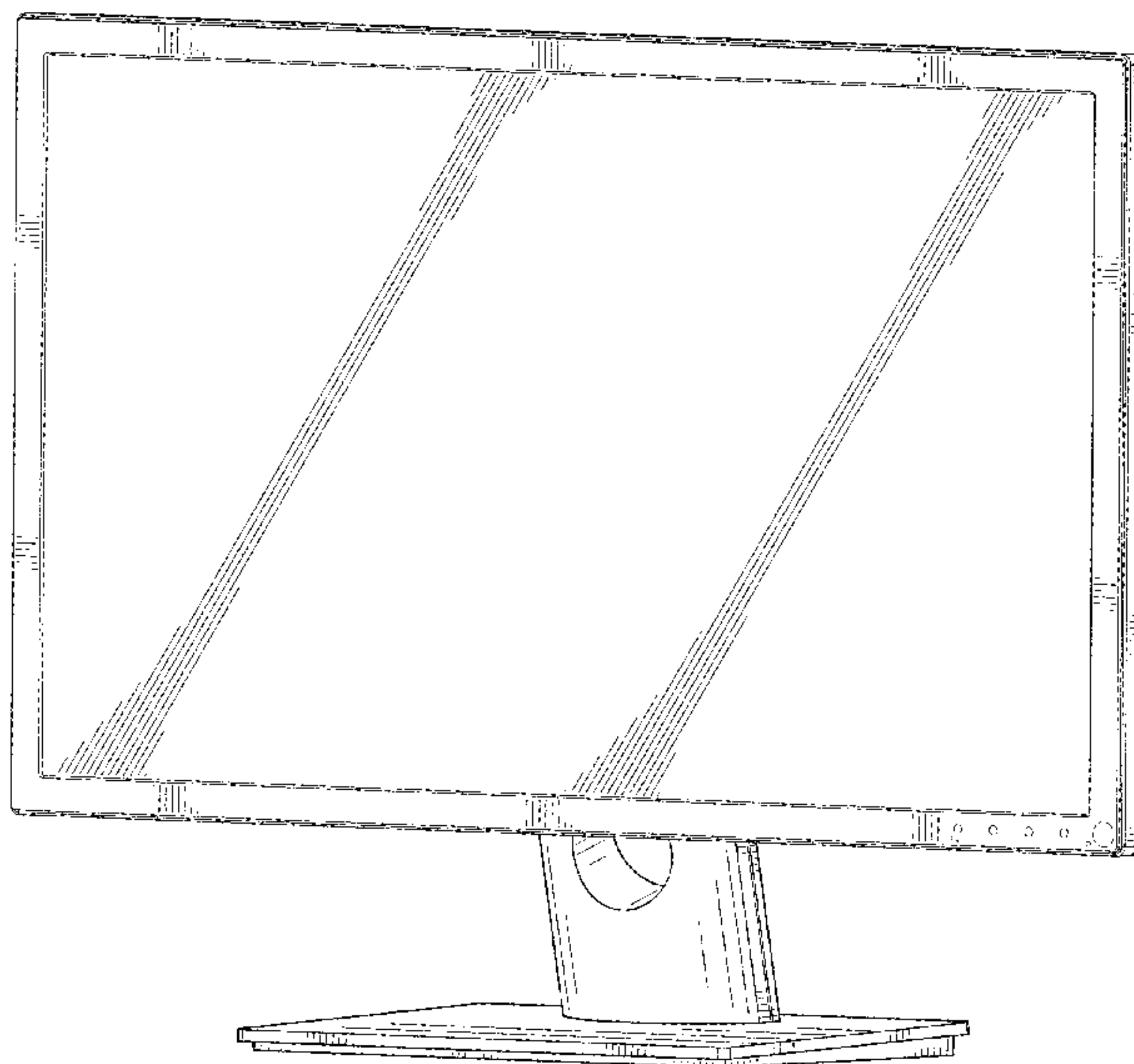
(57) **CLAIM**

The ornamental design for a monitor, as shown and described.

DESCRIPTION

FIG. 1 is a front perspective view of the monitor comprising the present invention;
FIG. 2 is a front view thereof;
FIG. 3 is a rear view thereof;
FIG. 4 is a left side view thereof;
FIG. 5 is a right side view thereof;
FIG. 6 is a top view thereof; and,
FIG. 7 is a bottom view thereof.
Broken lines shown in the drawings illustrate portions of the monitor, and form no part of the claimed design.

1 Claim, 5 Drawing Sheets



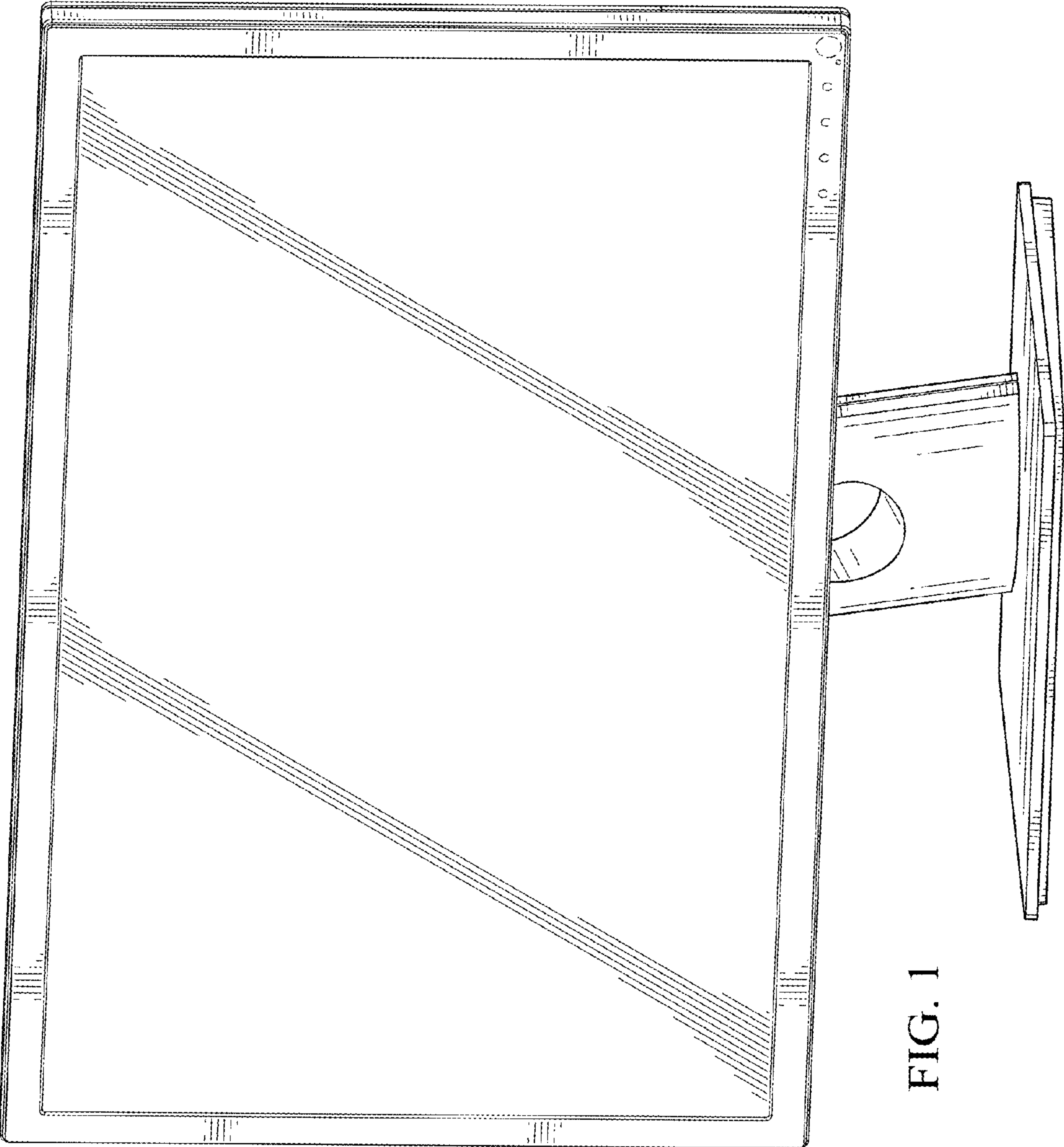


FIG. 1

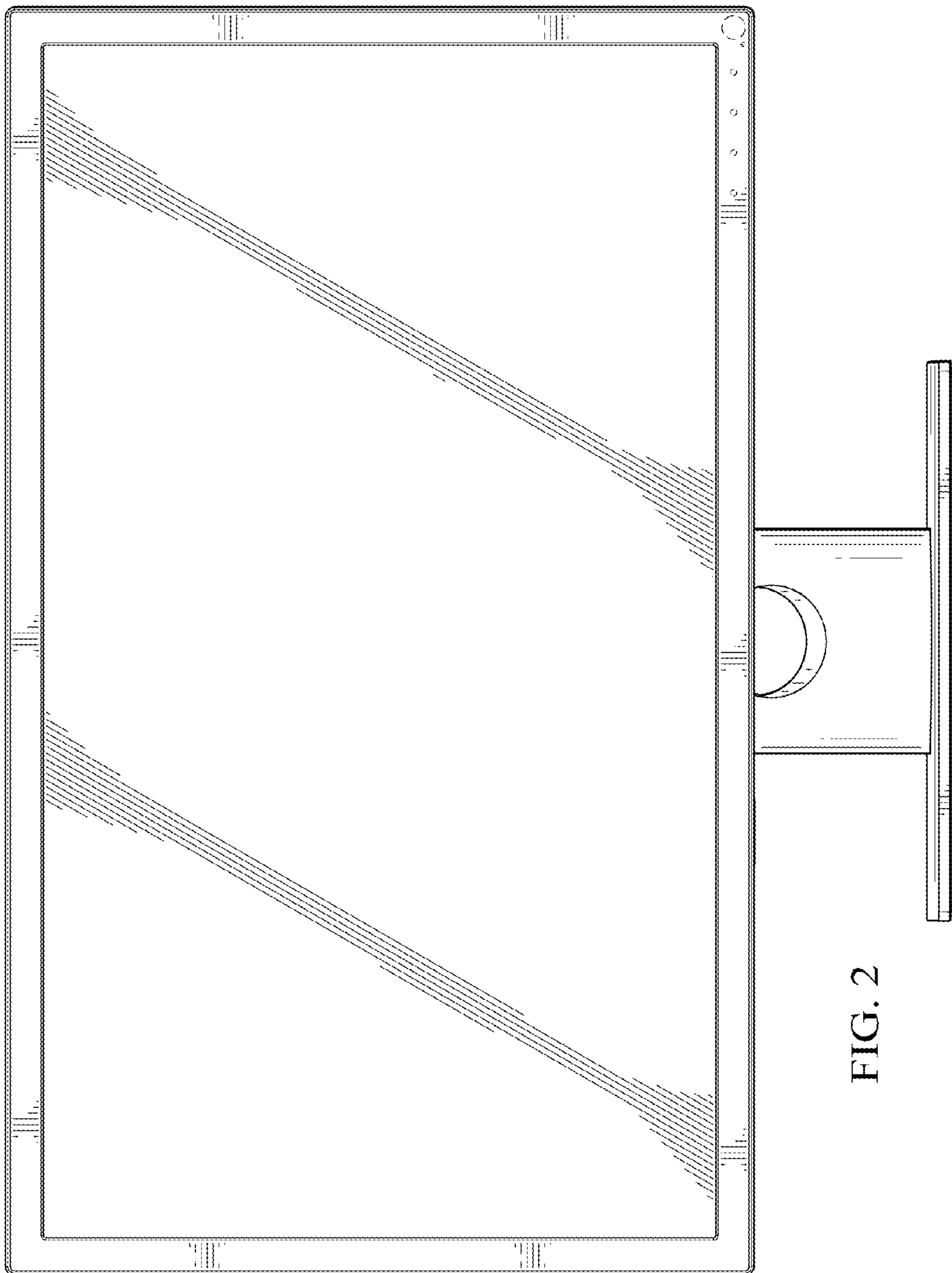


FIG. 2

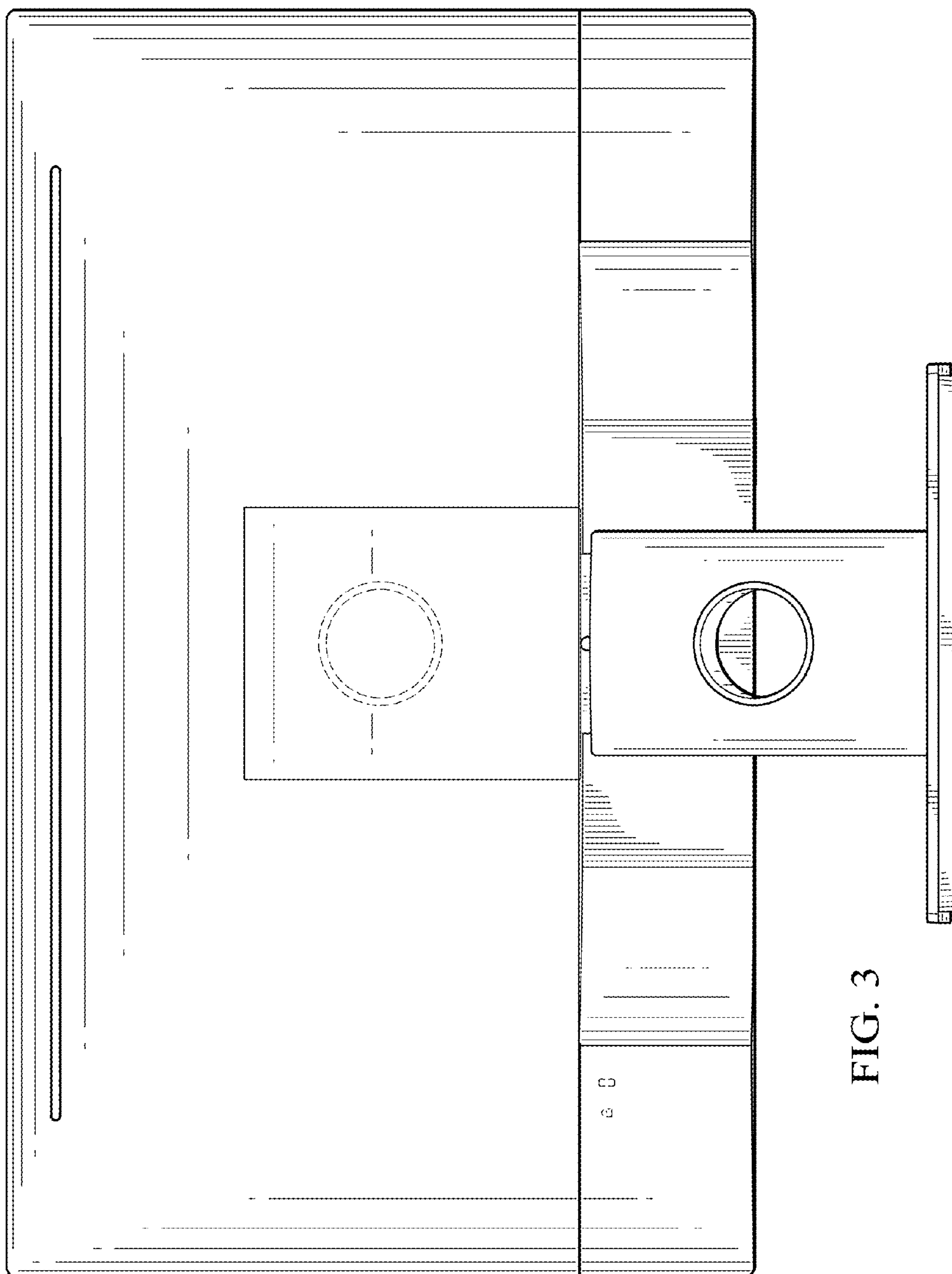


FIG. 3

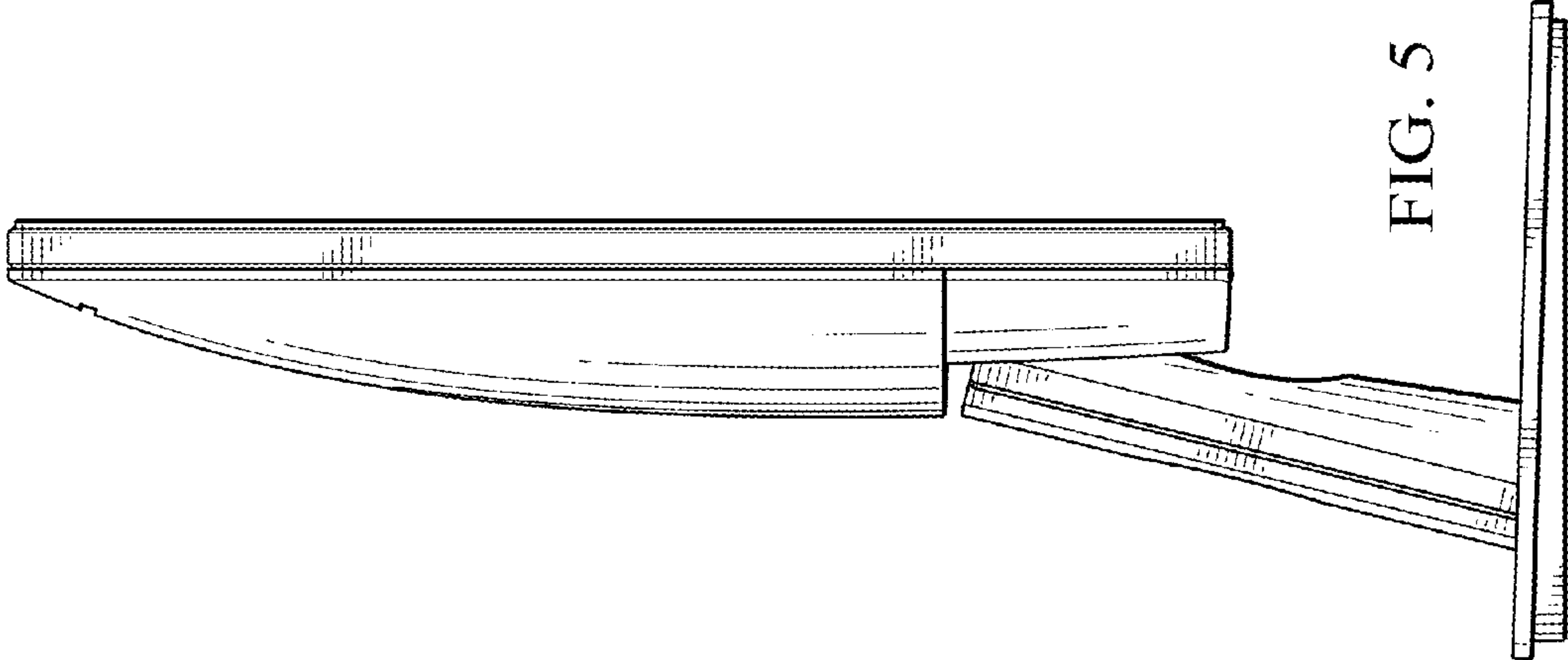


FIG. 5

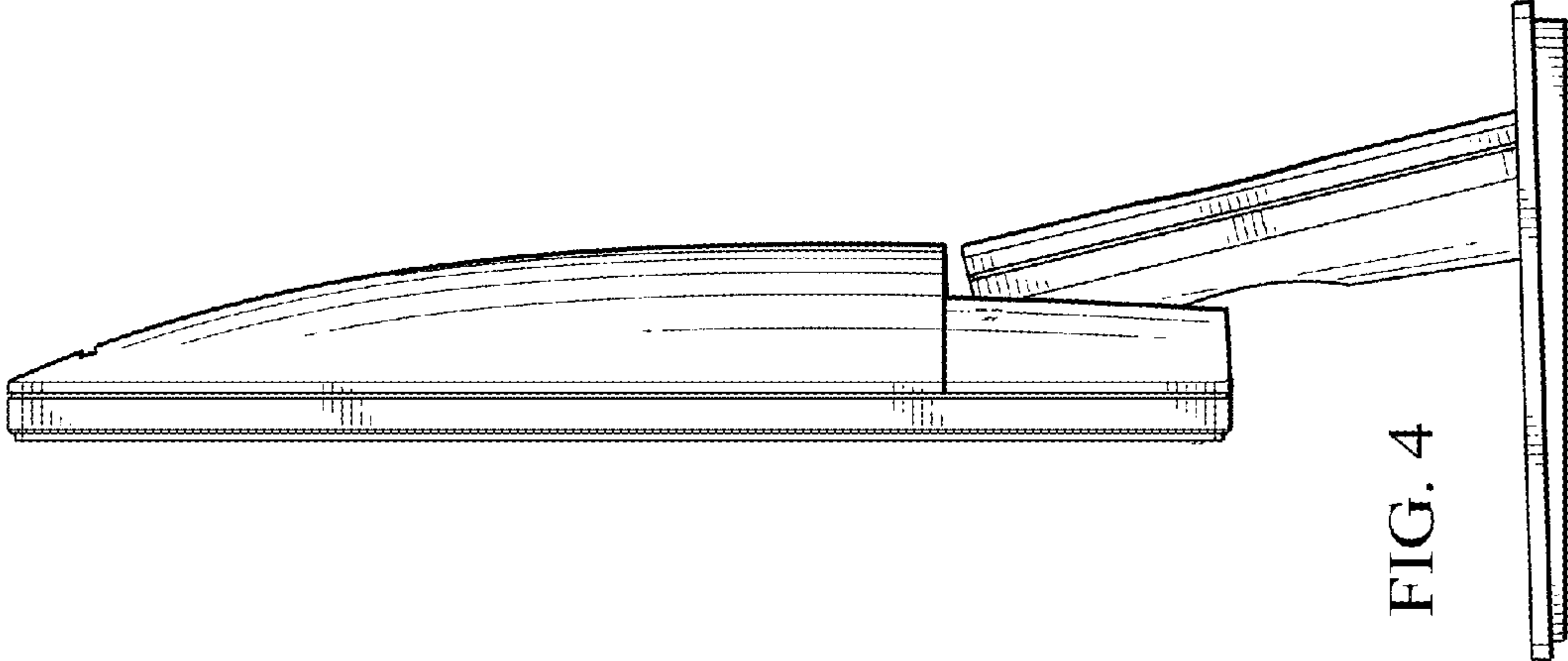


FIG. 4

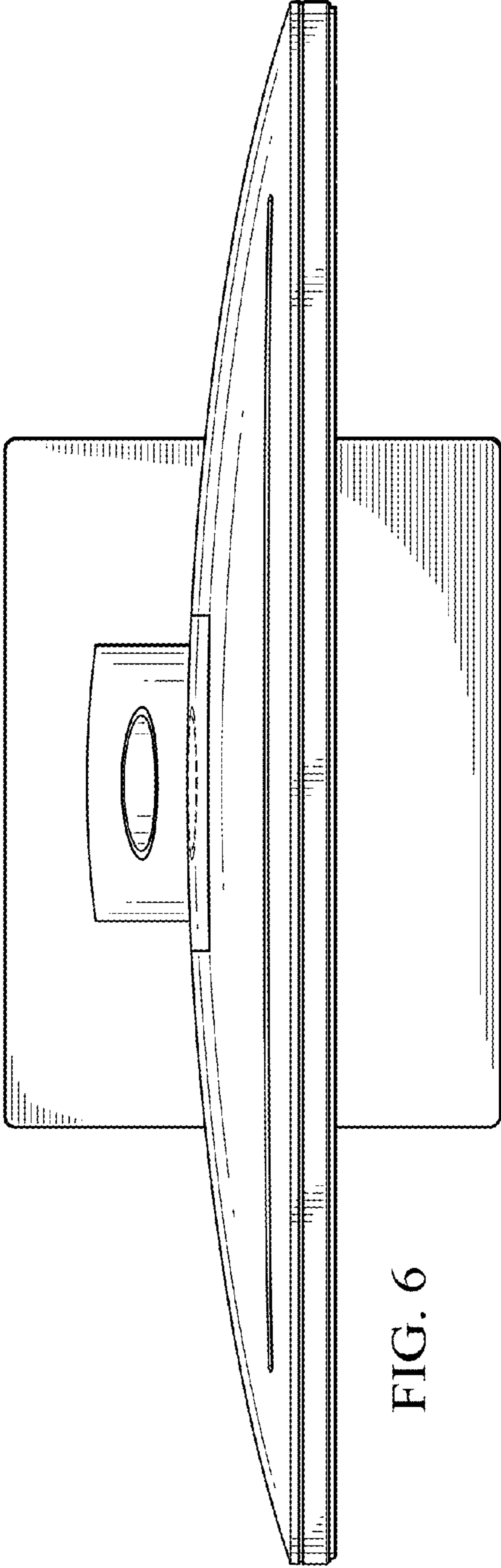


FIG. 6

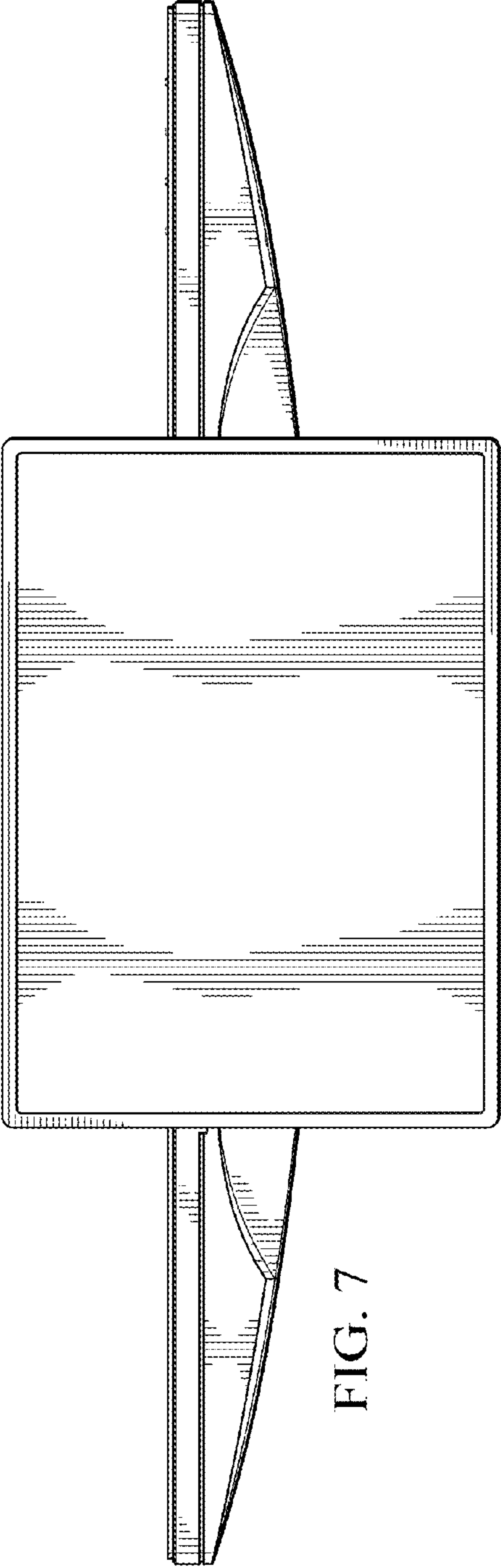


FIG. 7