



US00D750624S

(12) **United States Design Patent**  
**Kerley**

(10) **Patent No.:** **US D750,624 S**  
(45) **Date of Patent:** **\*\* Mar. 1, 2016**

- (54) **ACTIVITY BRACELET**
- (71) Applicant: **LeapFrog Enterprises, Inc.**,  
Emeryville, CA (US)
- (72) Inventor: **Raphael Kerley**, San Francisco, CA  
(US)
- (73) Assignee: **LeapFrog Enterprises, Inc.**,  
Emeryville, CA (US)
- (\*\*) Term: **14 Years**
- (21) Appl. No.: **29/488,834**
- (22) Filed: **Apr. 23, 2014**
- (51) **LOC (10) Cl.** ..... **14-02**
- (52) **U.S. Cl.**  
USPC ..... **D14/344**; D10/38
- (58) **Field of Classification Search**  
USPC ..... D10/15, 28, 30–32, 38, 39, 128, 132;  
D11/3, 4, 200; D14/138 R, 144, 344;  
D18/4.5; D24/187; 63/9; 224/170, 219;  
368/10, 69, 82 X, 276, 281–283, 316;  
455/575.6; 600/595  
CPC ..... A61B 5/681; A61B 5/7435  
See application file for complete search history.

(56) **References Cited**

**U.S. PATENT DOCUMENTS**

D299,028 S *	12/1988	Hermann	.....	D14/344
D300,831 S *	4/1989	Jenkins et al.	.....	D14/218
D342,740 S *	12/1993	Parker	.....	D14/218
D383,985 S *	9/1997	Davenport	.....	D10/31
D508,031 S *	8/2005	Kim et al.	.....	D14/138 R
7,534,206 B1 *	5/2009	Lovitt et al.	.....	600/300
D596,610 S *	7/2009	Hou	.....	D14/144
D690,210 S *	9/2013	Takahashi	.....	D10/32

2005/0256411 A1 *	11/2005	Yang	.....	600/490
2008/0139952 A1 *	6/2008	Kuroda et al.	.....	600/508
2011/0053666 A1 *	3/2011	Kang et al.	.....	455/575.6
2014/0197946 A1 *	7/2014	Park et al.	.....	340/539.11
2014/0276244 A1 *	9/2014	Kamyar	.....	600/595

**OTHER PUBLICATIONS**

WSJ. Kid Wearables? LeapFrog Debuts Fitness Tracker for Training Wheels Set. Apr. 30, 2014 [online], [site visited Jun. 2, 2015]. Available from Internet, <URL:http://blogs.wsj.com/digits/2014/04/30/kid-wearables-leapfrog-debuts-fitness-tracker-for-training-wheels-set/>.\*

\* cited by examiner

*Primary Examiner* — Robert M Spear

*Assistant Examiner* — Darcey E Heflin

(74) *Attorney, Agent, or Firm* — Kilpatrick Townsend & Stockton LLP

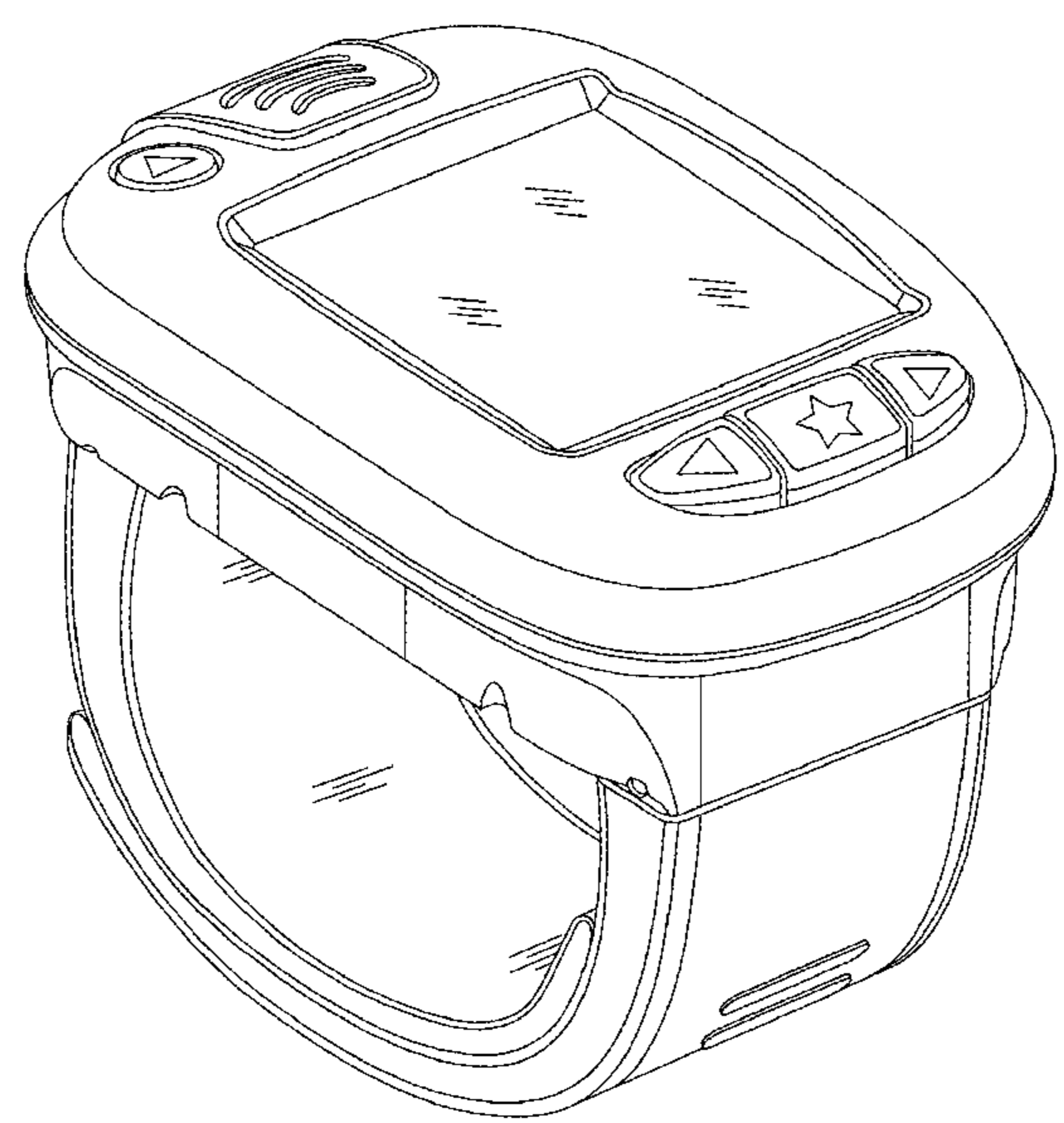
(57) **CLAIM**

The ornamental design for activity bracelet, as shown and described.

**DESCRIPTION**

FIG. 1 is a perspective view of activity bracelet showing my new design;  
FIG. 2 is a front elevational view thereof;  
FIG. 3 is a rear elevational view thereof;  
FIG. 4 is a left side elevational view thereof.  
FIG. 5 is a right side elevational view thereof;  
FIG. 6 is a top plan view thereof; and,  
FIG. 7 is a bottom plan view thereof.  
In the drawings, the broken lines depict environmental subject matter only and form no part of the claim.

**1 Claim, 4 Drawing Sheets**



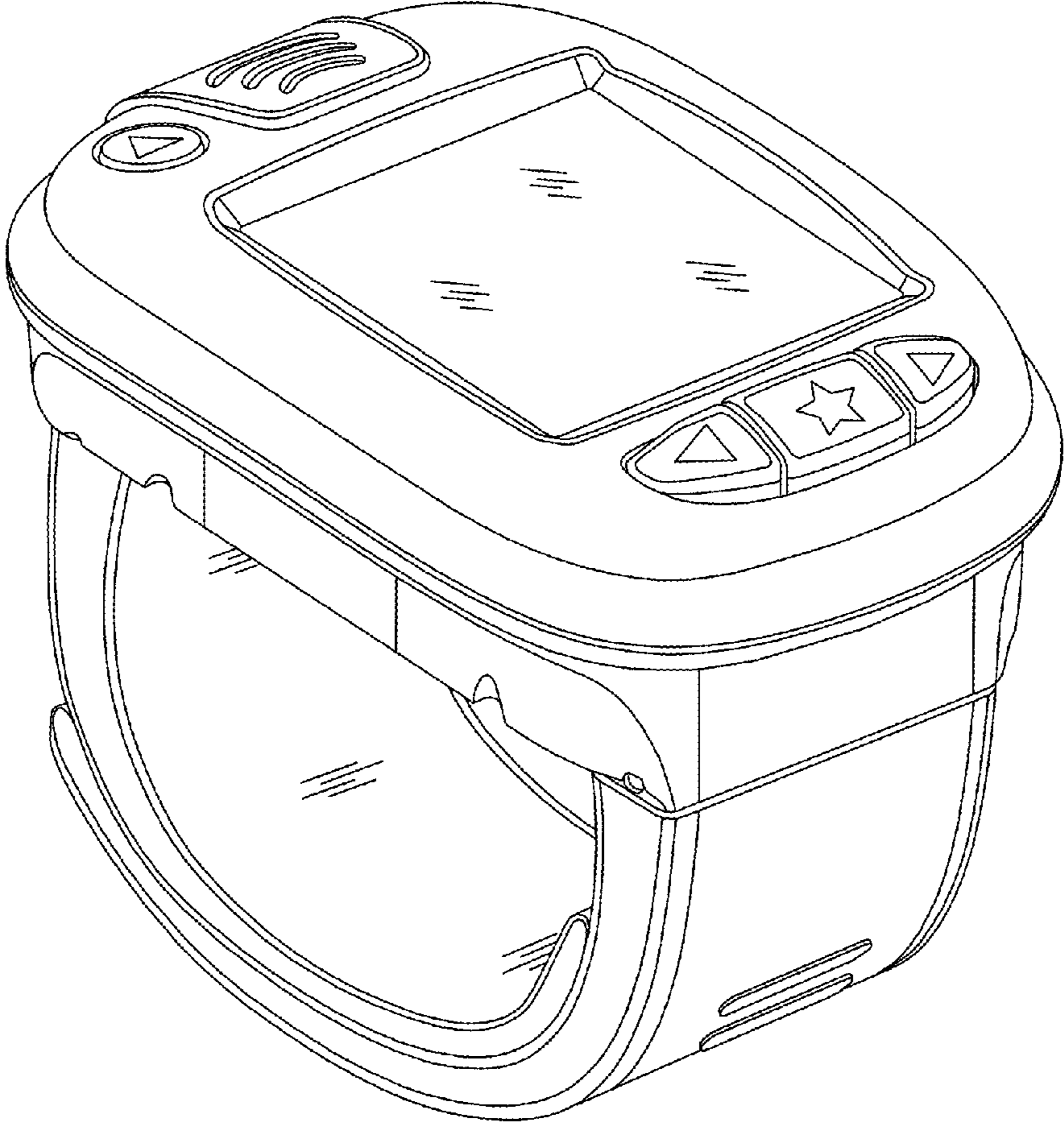


FIG. 1

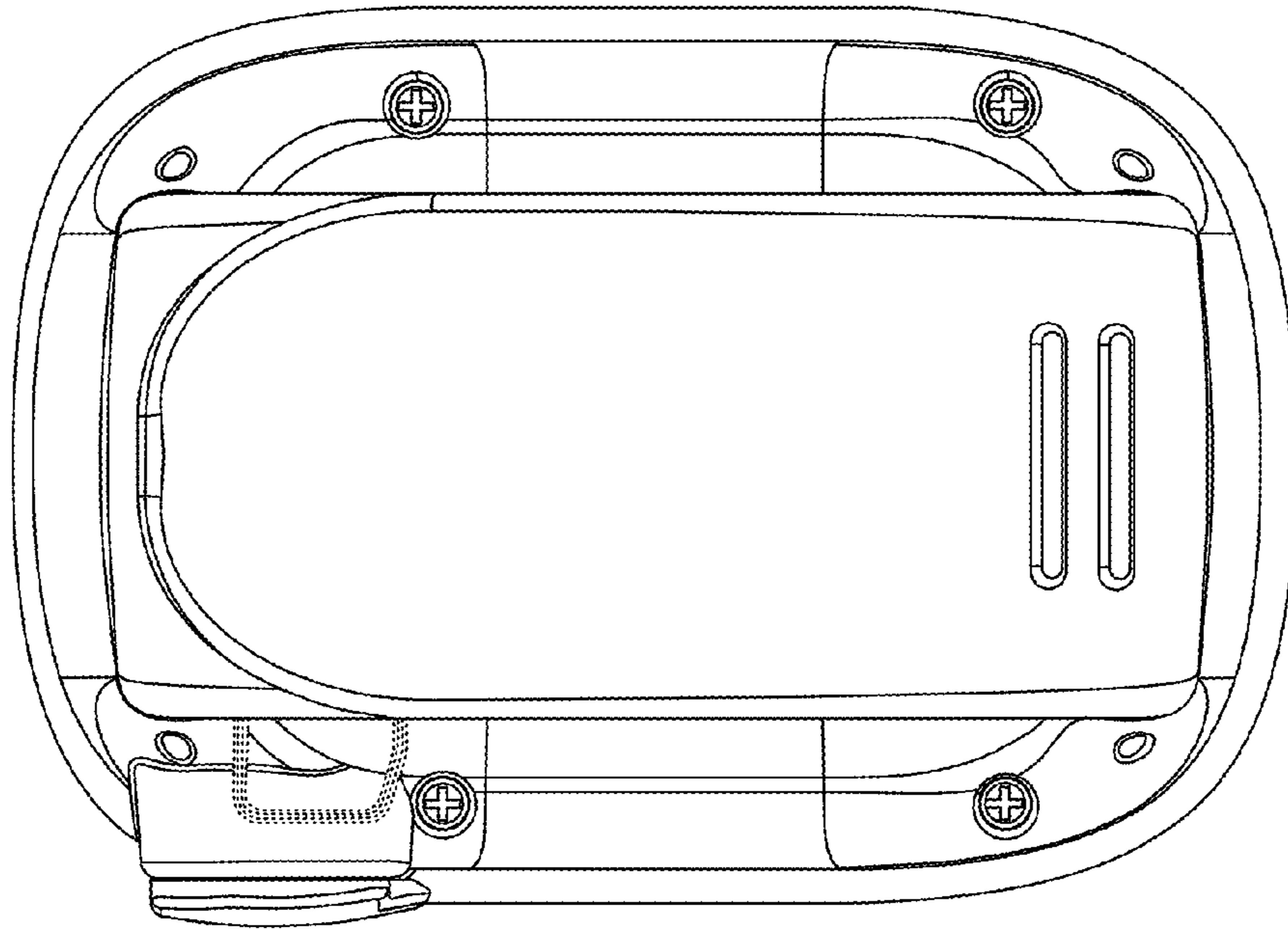


FIG. 3

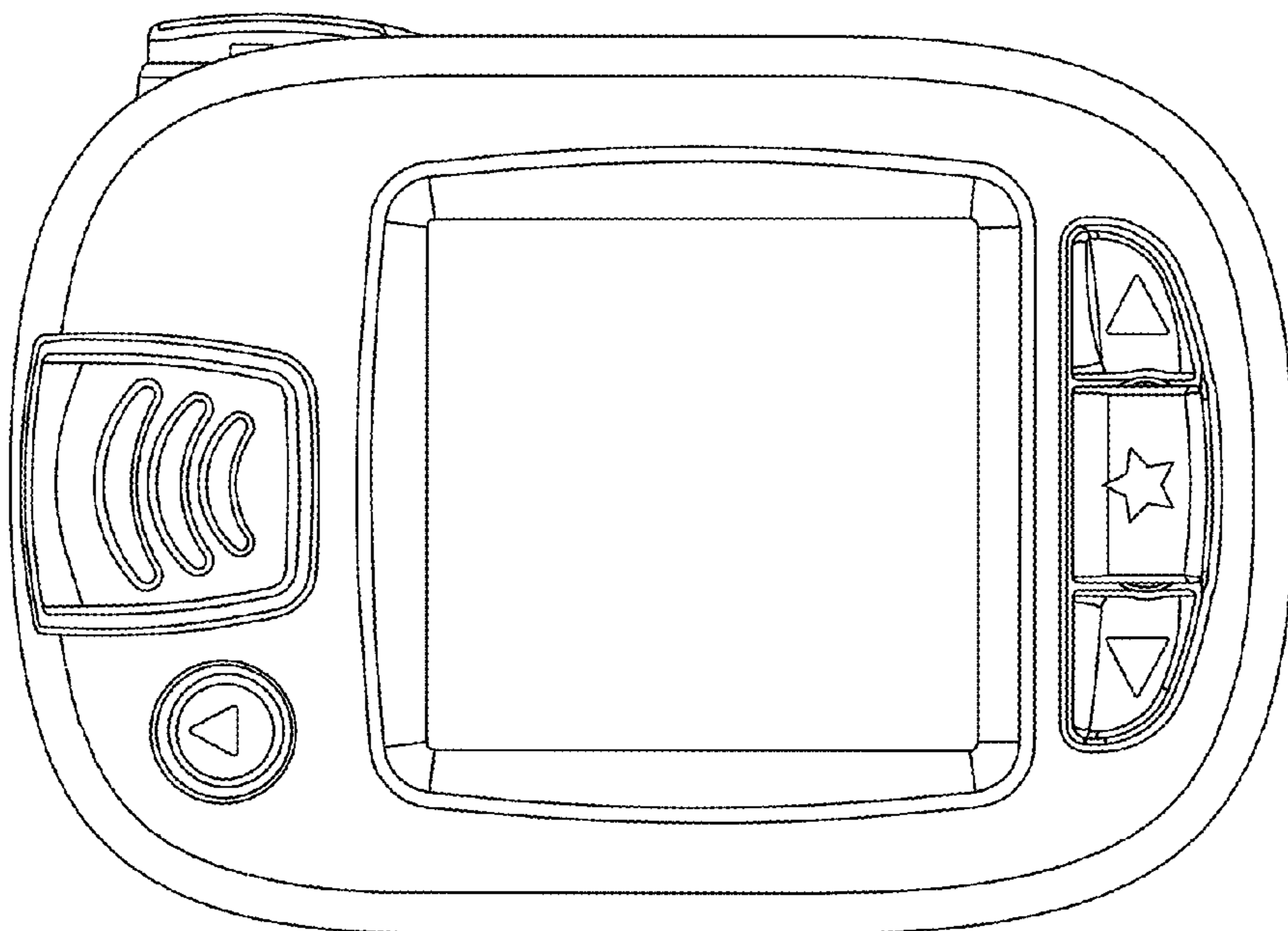


FIG. 2



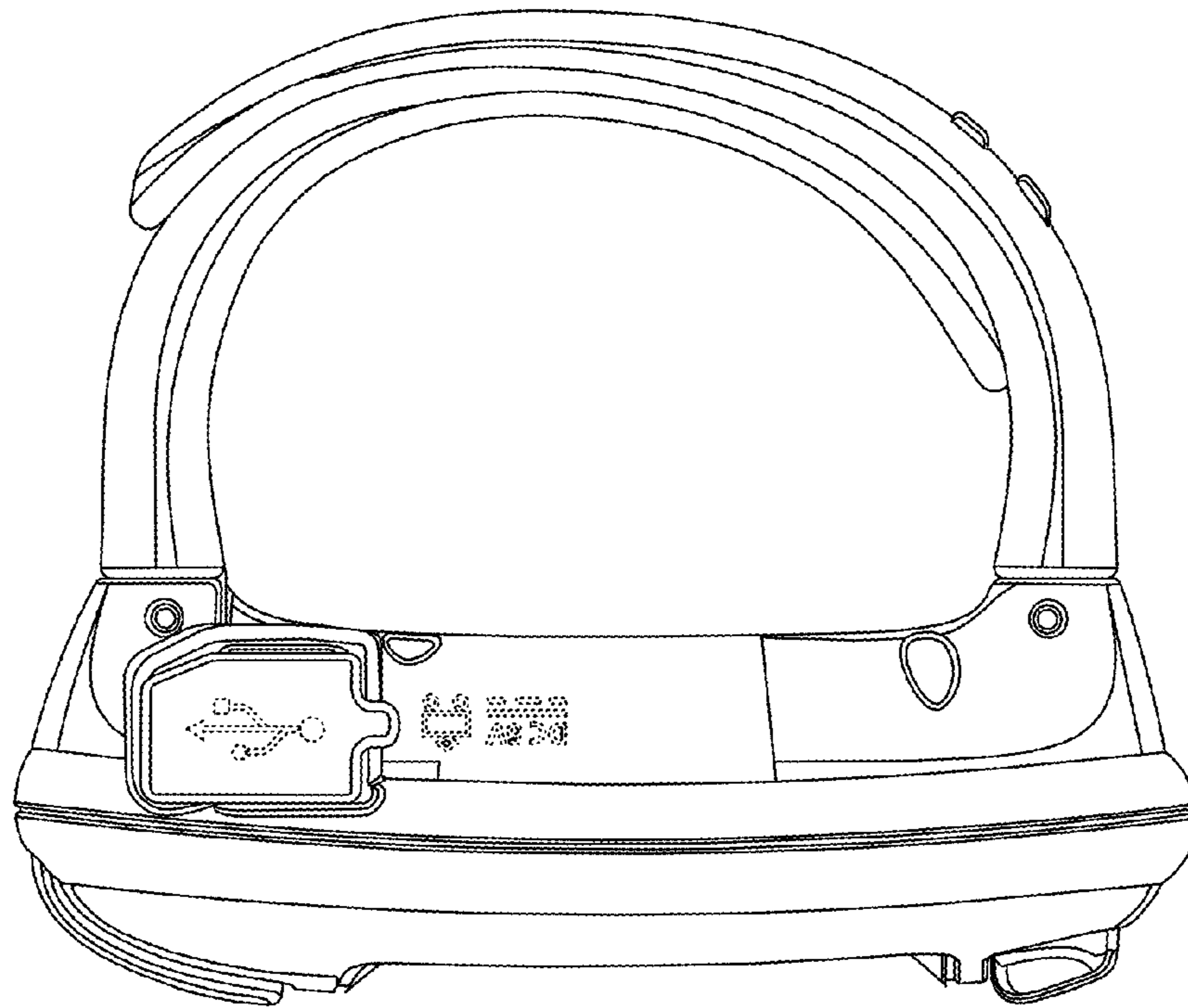


FIG. 5

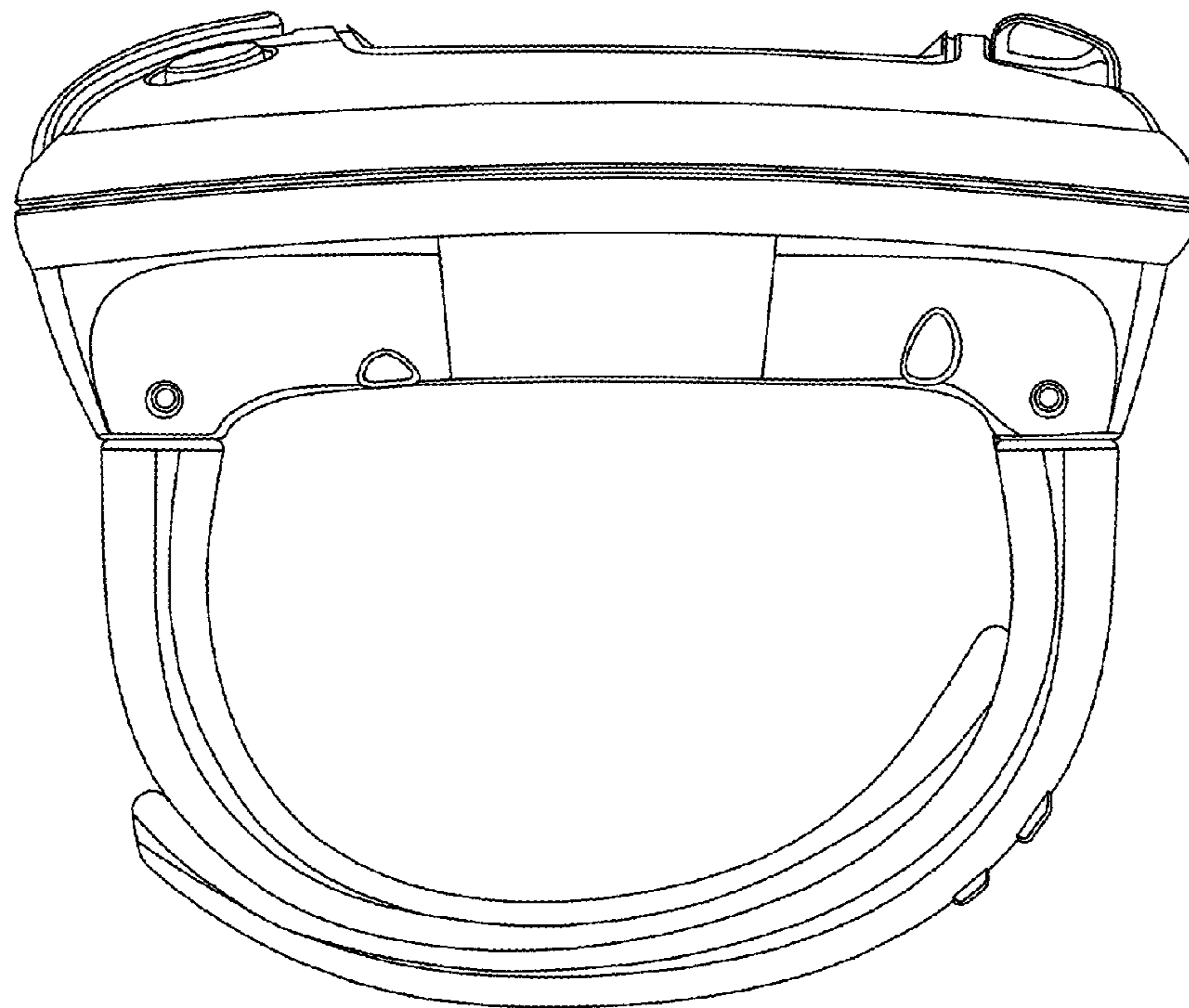


FIG. 4

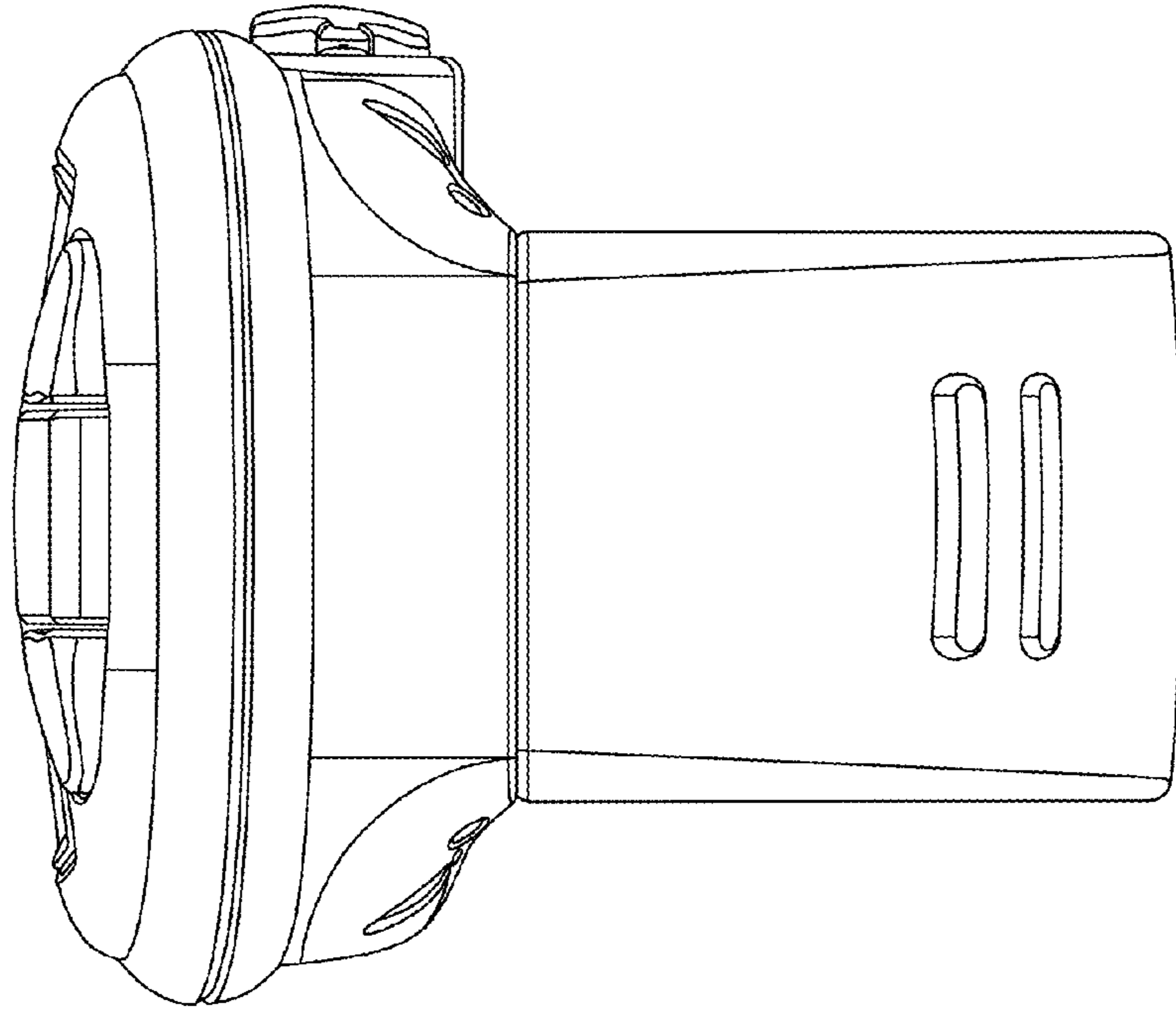


FIG. 7

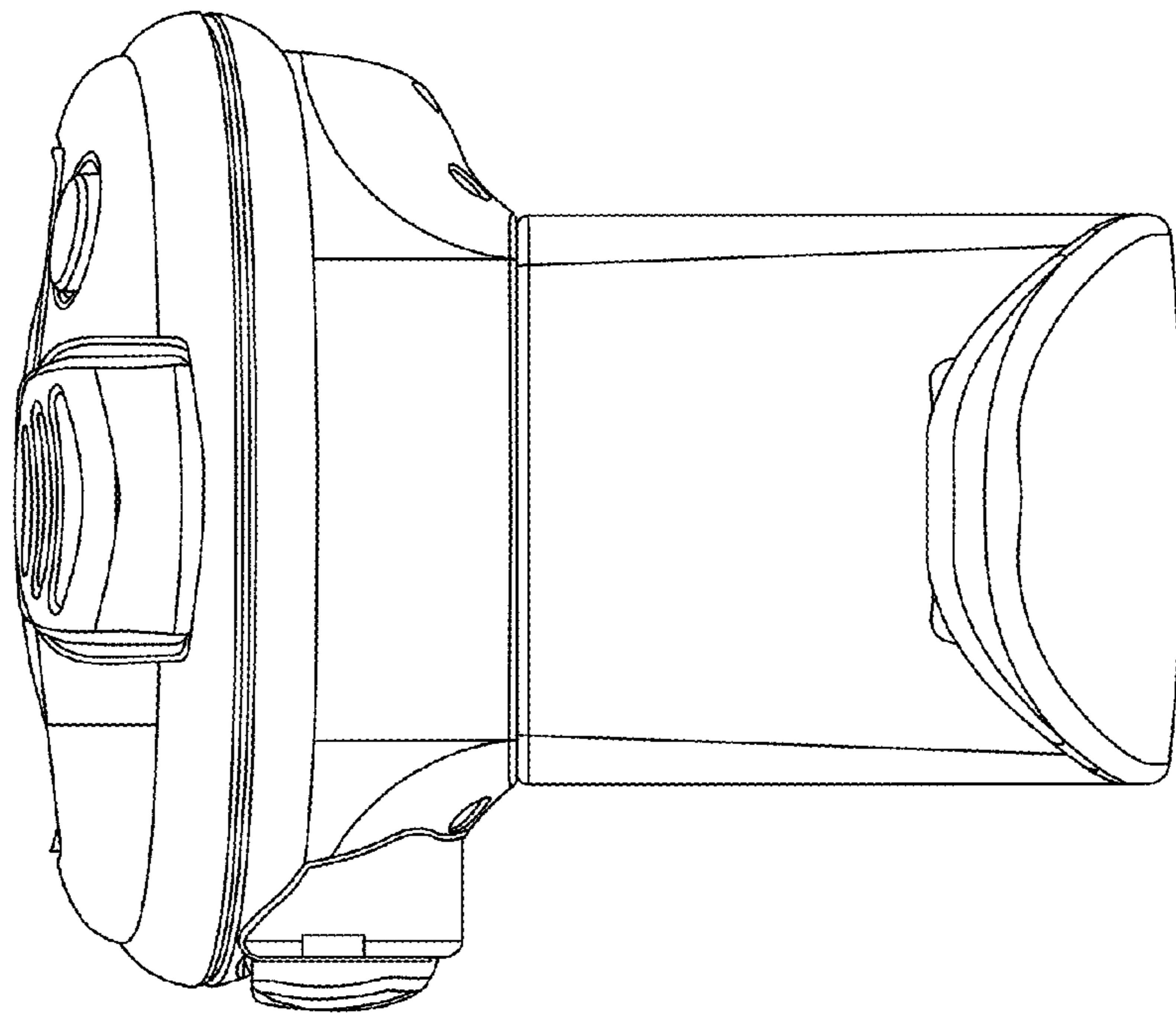


FIG. 6