



US00D750619S

(12) **United States Design Patent**
Amit et al.

(10) **Patent No.:** **US D750,619 S**
(45) **Date of Patent:** **** Mar. 1, 2016**

(54) **PORTION OF A HANDHELD DEVICE**

(71) Applicant: **Google Inc.**, Mountain View, CA (US)

(72) Inventors: **Gadi Amit**, San Mateo, CA (US); **Daniel J. Clifton**, San Francisco, CA (US); **Paul Eremenko**, Sunnyvale, CA (US); **Inbal Etgar**, San Francisco, CA (US); **Susan Elizabeth McKinney**, San Francisco, CA (US)

(73) Assignee: **Google Inc.**, Mountain View, CA (US)

(**) Term: **14 Years**

(21) Appl. No.: **29/495,480**

(22) Filed: **Jul. 1, 2014**

(51) **LOC (10) Cl.** **14-02**

(52) **U.S. Cl.**
USPC **D14/341**

(58) **Field of Classification Search**
USPC D14/341, 191, 138 AA, 138 R, 138 C, D14/203.3, 217, 218, 137, 250, 440, 441, D14/432; D6/310; D24/206, 207; 604/304; 607/112; D13/168; D3/218; D18/6, 7, D18/12; 206/320; 340/12.24, 539.16; 455/90.3, 575.8, 575.1
CPC H04M 1/00
See application file for complete search history.

(56) **References Cited**

U.S. PATENT DOCUMENTS

3,075,529 A * 1/1963 Young, Jr. A61F 7/02
604/291
D236,492 S * 8/1975 Helgesson D13/103
D289,873 S * 5/1987 Gemmell D14/374
4,825,618 A * 5/1989 Blevins E04F 13/142
52/535

D323,503 S * 1/1992 Yoneyama D14/138 AA
D338,076 S * 8/1993 Current D25/123
D338,656 S * 8/1993 Spayde D14/341
D346,580 S * 5/1994 Tattari D13/103
D349,681 S * 8/1994 Siddoway D13/103
D357,896 S * 5/1995 Berry D13/103
D389,509 S * 1/1998 Yasoshima D18/17
D391,298 S * 2/1998 Johnson D20/10
5,859,628 A * 1/1999 Ross B60R 16/0315
340/990
D514,123 S * 1/2006 Naruki D14/203.3
D535,631 S * 1/2007 Millora D14/126
D557,673 S * 12/2007 Lee D14/138 AA

(Continued)

Primary Examiner — Paula Greene

(74) *Attorney, Agent, or Firm* — Fish & Richardson P.C.

(57) **CLAIM**

The ornamental design for a portion of a handheld device, substantially as shown and described.

DESCRIPTION

FIG. 1 is a perspective rear view of an embodiment of a handheld device.

FIG. 2 is a front view of the embodiment of FIG. 1.

FIG. 3 is a rear view of the embodiment of FIG. 1.

FIG. 4 is a right side view of the embodiment of FIG. 1.

FIG. 5 is a left side view of the embodiment of FIG. 1.

FIG. 6 is a top view of the embodiment of FIG. 1.

FIG. 7 is a bottom view of the embodiment of FIG. 1.

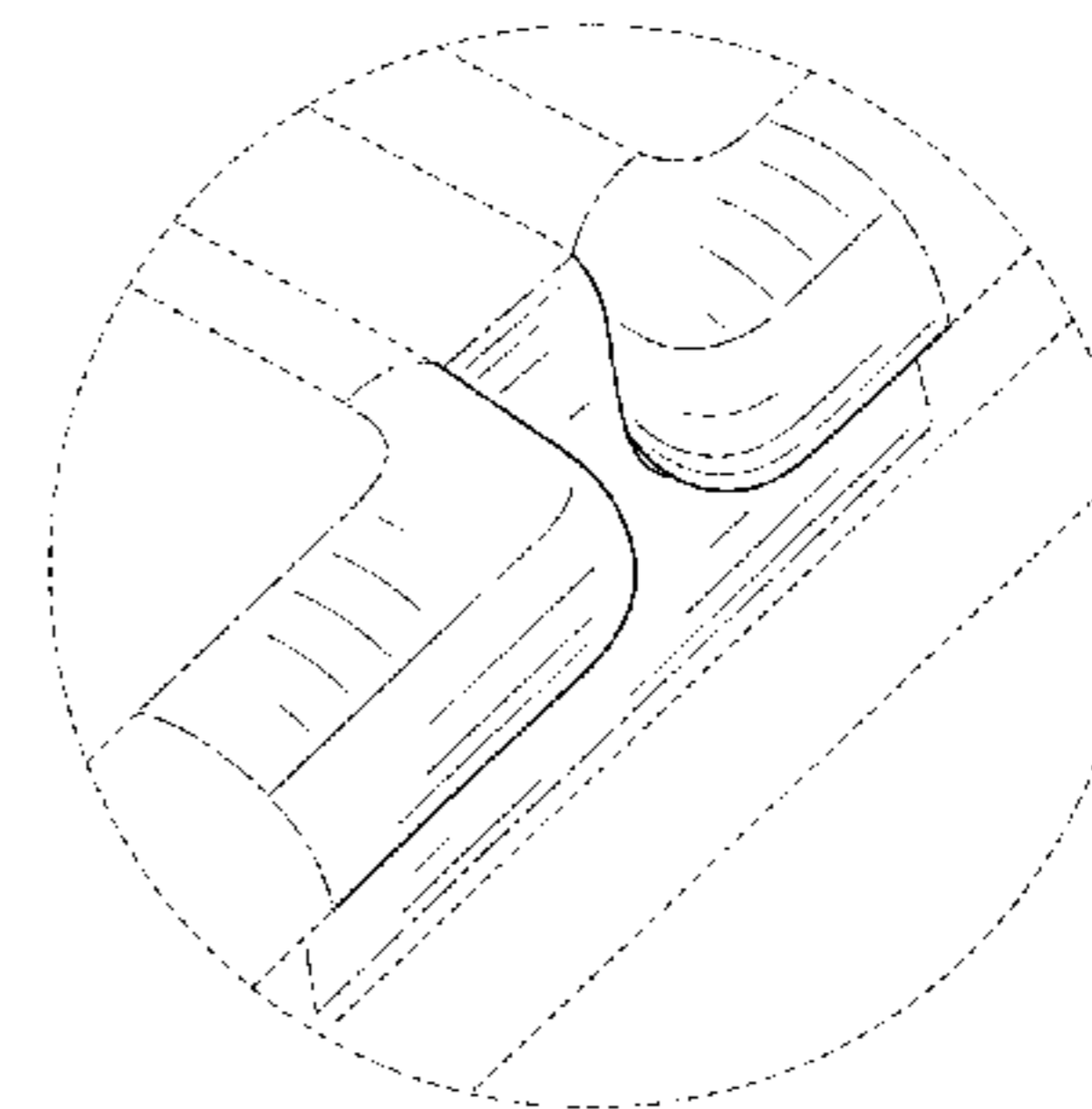
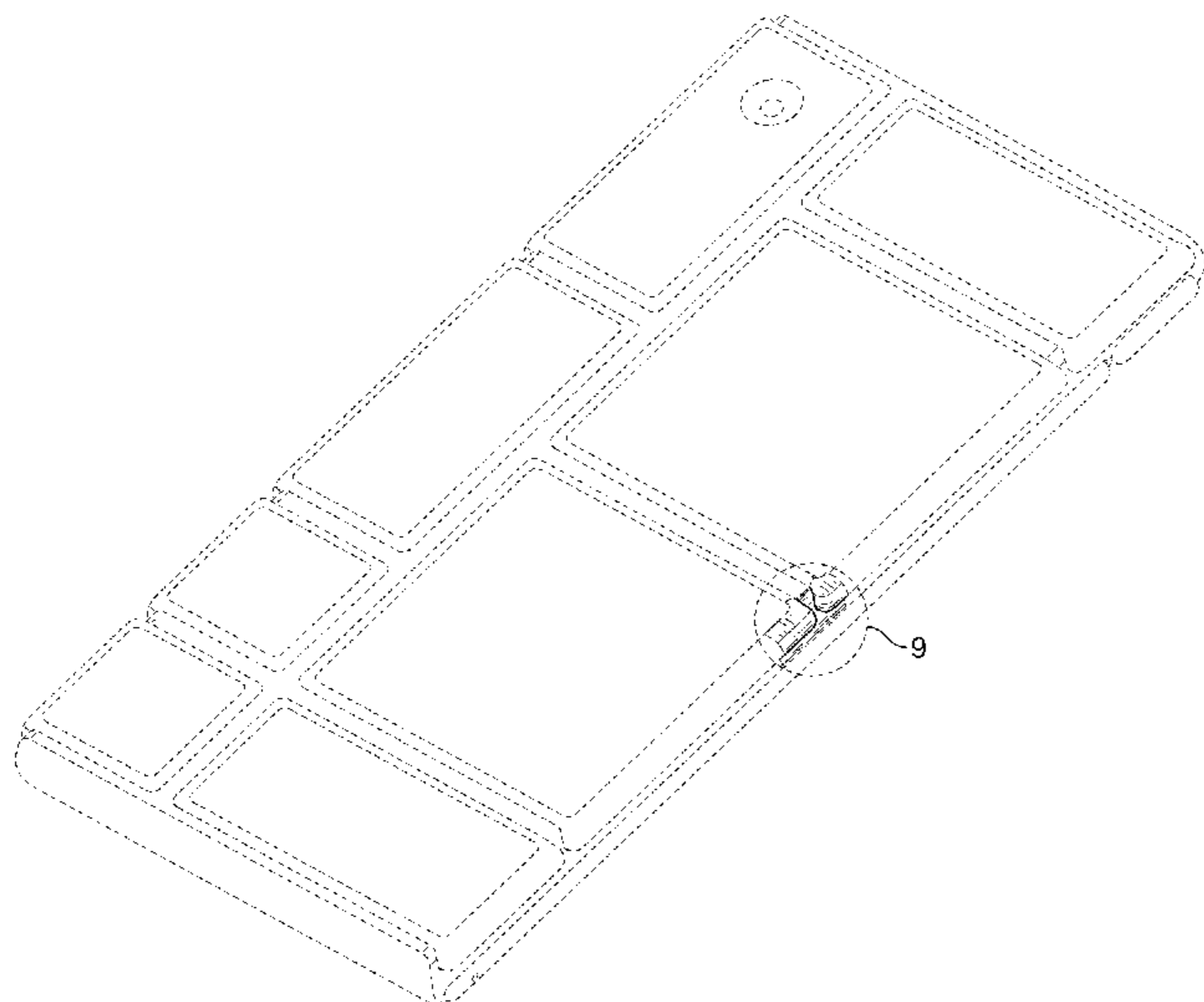
FIG. 8 is a magnified view of area 8 in FIG. 5; and,

FIG. 9 is a magnified view of area 9 in FIG. 1.

The claimed design, bordered by a dot-dash line in the various views, is illustrated in this example as a side edge portion of a handheld electronic device, such as a mobile telephone or tablet.

The broken lines in each figure illustrate graphical environmental features that form no part of the claimed design.

1 Claim, 5 Drawing Sheets



(56)

References Cited

U.S. PATENT DOCUMENTS

D558,197 S *	12/2007	Forester	D14/341	D635,536 S *	4/2011	Xiao	D14/138 AA
D560,686 S *	1/2008	Kim	D14/496	D638,015 S *	5/2011	Chong	D14/336
D561,783 S *	2/2008	Schmelling	D14/496	D641,333 S *	7/2011	Lee	D14/138 AA
D567,819 S *	4/2008	Devericks	D14/496	D641,346 S *	7/2011	Fathollahi	D14/250
D573,565 S *	7/2008	Edwards	D14/138 AA	D654,931 S *	2/2012	Lemelman	D14/496
D579,461 S *	10/2008	Lau	D14/496	D655,699 S *	3/2012	Bau	D14/250
D580,387 S *	11/2008	Andre	D14/138 G	D656,494 S *	3/2012	Bau	D14/250
D583,479 S *	12/2008	Yim	D24/206	D662,932 S *	7/2012	Park	D14/341
D592,646 S *	5/2009	Sun	D14/218	8,245,843 B1 *	8/2012	Wu	H01M 10/465 150/165
D594,030 S *	6/2009	Rayn	D14/496	D671,948 S *	12/2012	Akana	D14/440
D596,305 S *	7/2009	Usui	D24/206	D674,801 S *	1/2013	Wharram	D13/102
D602,014 S *	10/2009	Andre	D14/341	D685,776 S *	7/2013	Bau	D14/250
D604,727 S *	11/2009	Chu	D14/248	D698,341 S *	1/2014	Lee	D14/248
D606,061 S *	12/2009	Chen	D14/248	D701,205 S *	3/2014	Akana	D14/341
D606,986 S *	12/2009	de Jong	D14/250	D714,784 S *	10/2014	Park	D14/341
D620,919 S *	8/2010	Lee	D14/203.3	D719,145 S *	12/2014	Barfoot	D14/250
D627,344 S *	11/2010	Chien	D14/138 G	D723,041 S *	2/2015	Kim	D14/440
D629,799 S *	12/2010	Andre	D14/341	D726,169 S *	4/2015	Powell	D14/250
D634,313 S *	3/2011	Fitzpatrick	D14/250	2004/0087333 A1 *	5/2004	Hutchison	H01H 13/70 455/550.1
D634,394 S *	3/2011	Whitman	D23/201	2010/0089779 A1 *	4/2010	Bowers	A45C 7/0095 206/320
7,899,504 B2 *	3/2011	Impio	H04M 1/0247 455/550.1	2013/0140204 A1 *	6/2013	Duan	G06K 13/0831 206/320

* cited by examiner

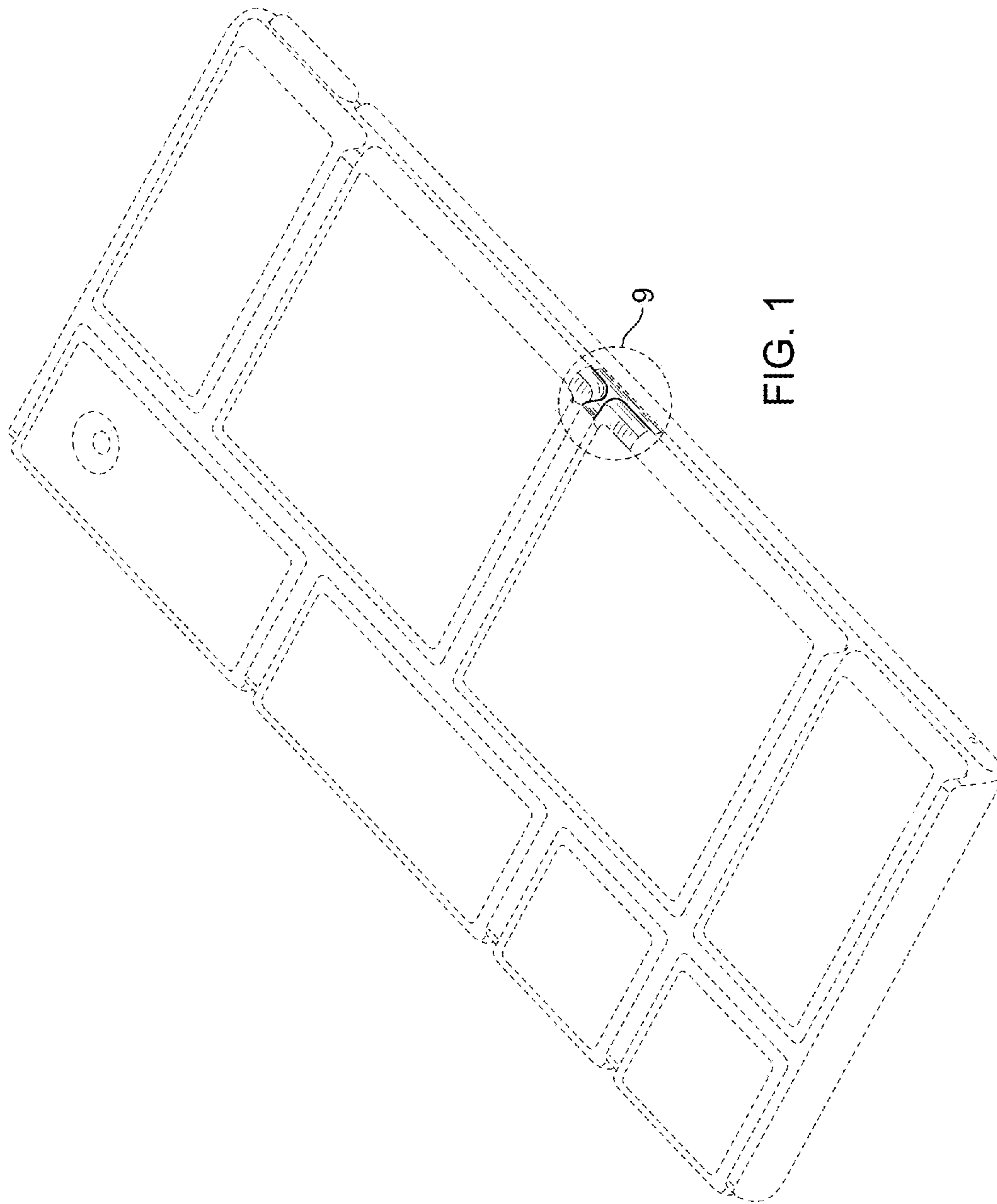


FIG. 1

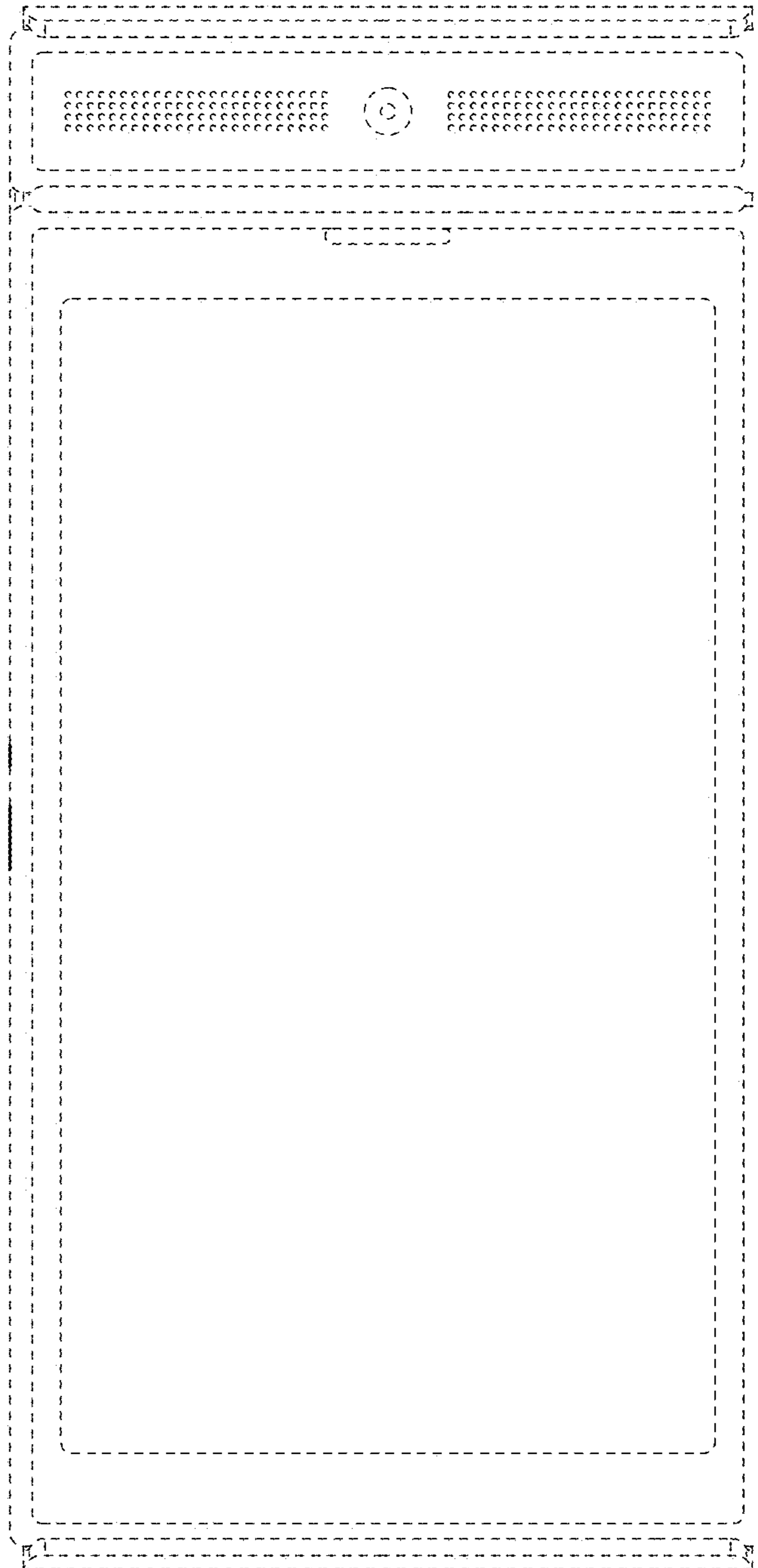


FIG. 2

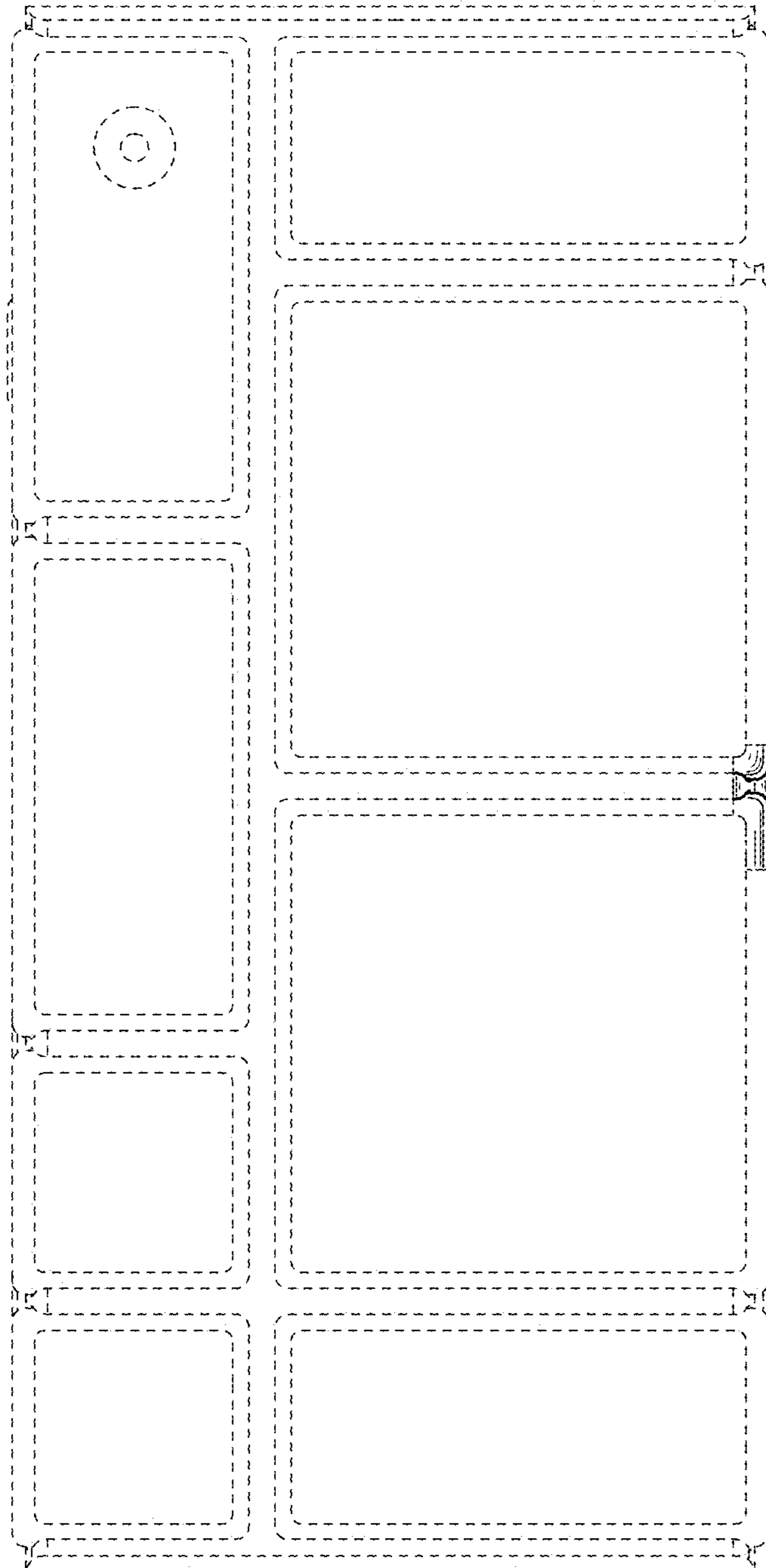


FIG. 3

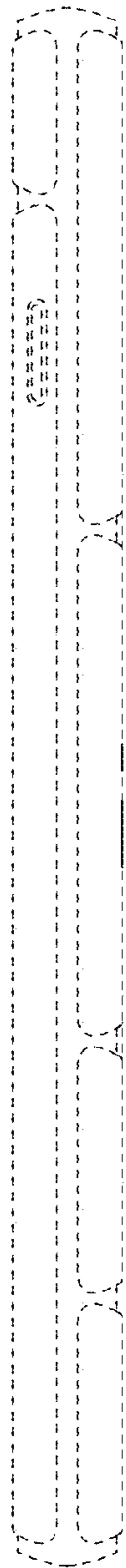


FIG. 4

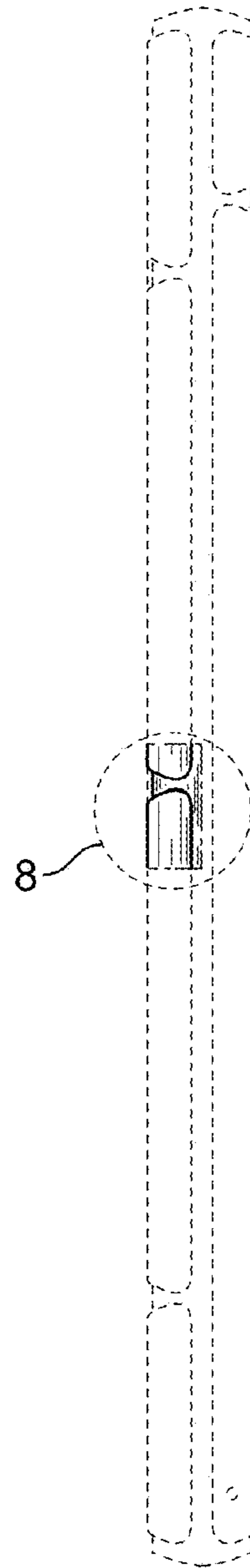


FIG. 5

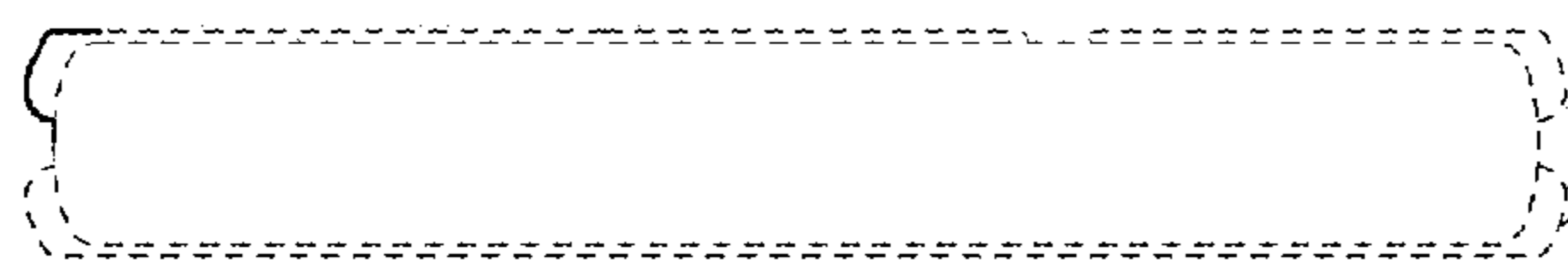


FIG. 6

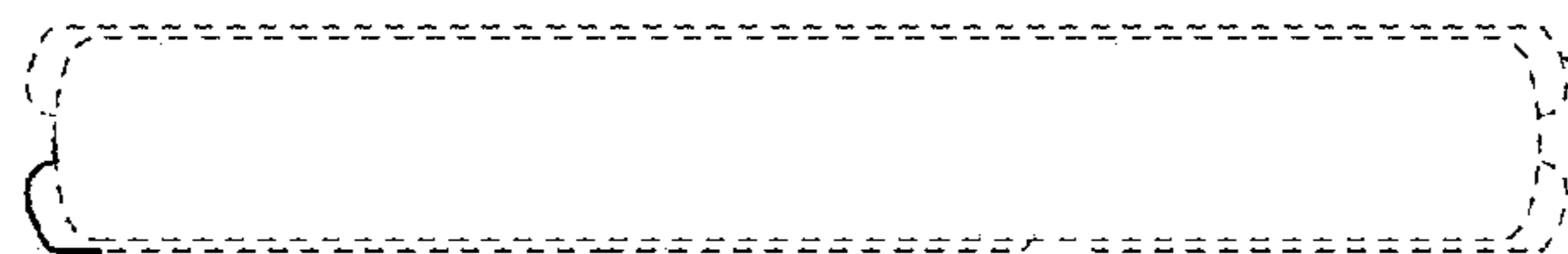


FIG. 7

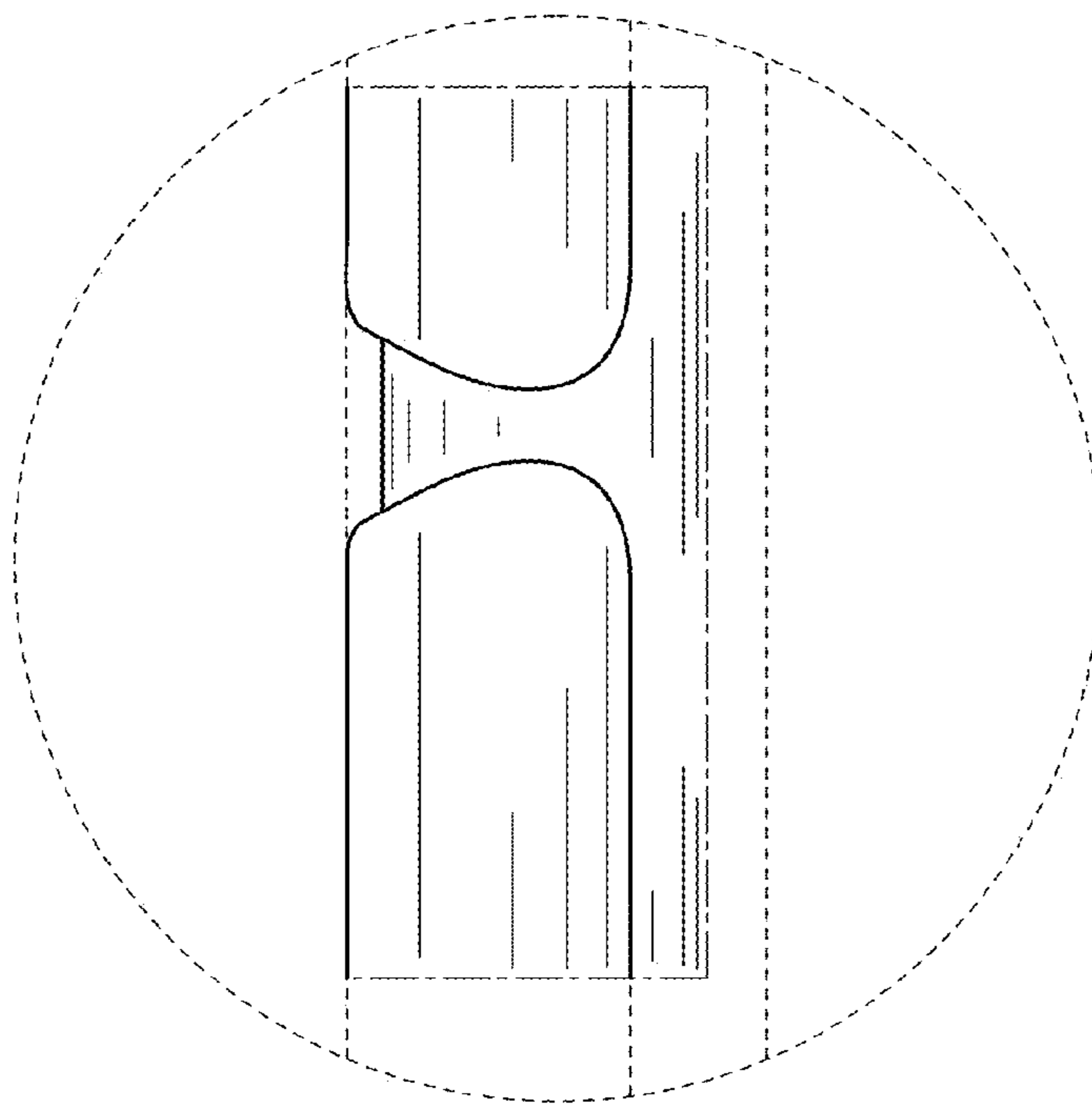


FIG. 8

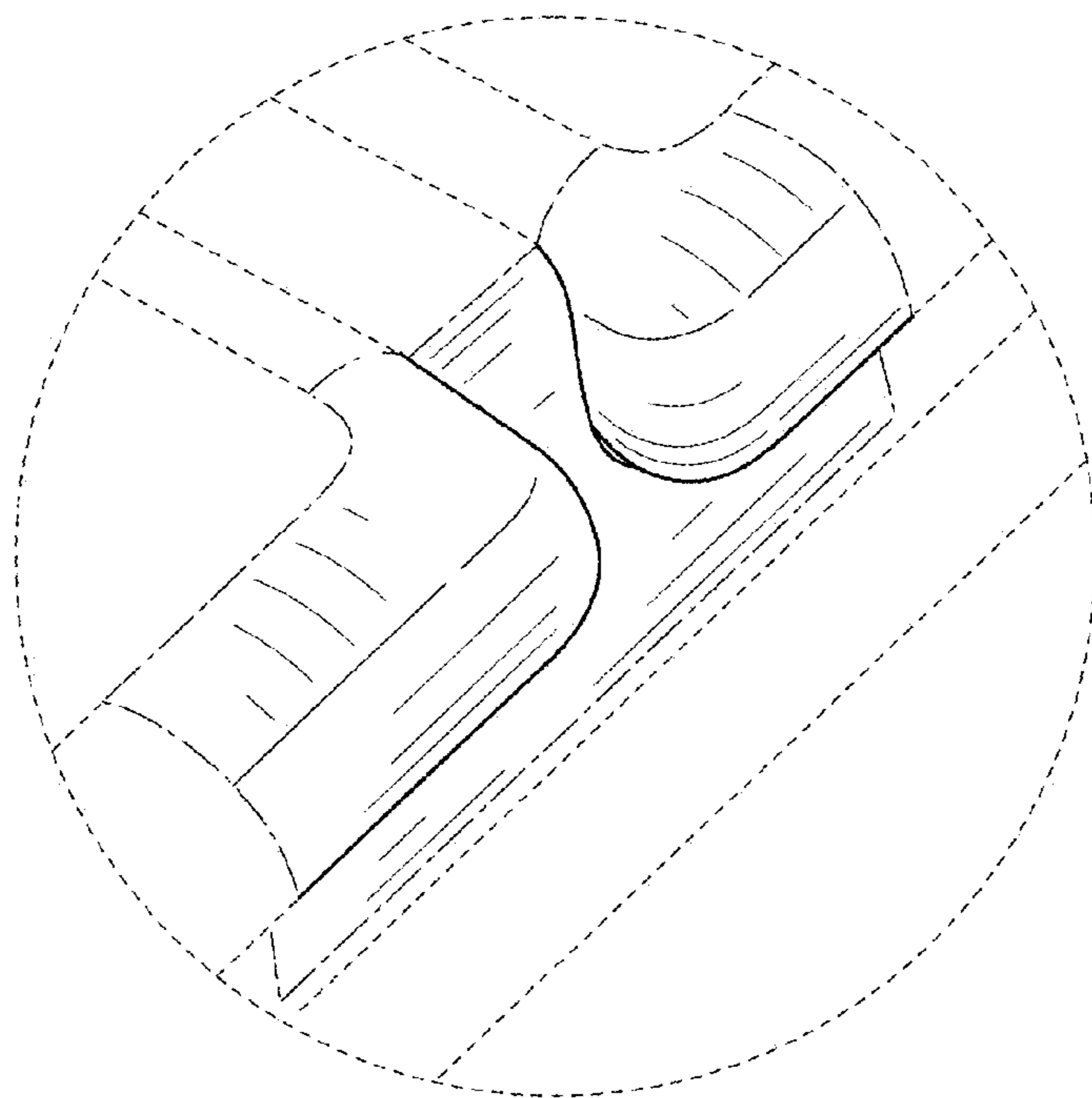


FIG. 9