

US00D750618S

(12) **United States Design Patent**
Amit et al.

(10) **Patent No.:** **US D750,618 S**
(45) **Date of Patent:** **** Mar. 1, 2016**

(54) **PORTION OF A HANDHELD DEVICE**

(71) Applicant: **Google Inc.**, Mountain View, CA (US)

(72) Inventors: **Gadi Amit**, San Mateo, CA (US); **Daniel J. Clifton**, San Francisco, CA (US); **Paul Eremenko**, Sunnyvale, CA (US); **Inbal Etgar**, San Francisco, CA (US); **Susan Elizabeth McKinney**, San Francisco, CA (US)

(73) Assignee: **Google Inc.**, Mountain View, CA (US)

(**) Term: **14 Years**

(21) Appl. No.: **29/495,459**

(22) Filed: **Jul. 1, 2014**

(51) **LOC (10) Cl.** **14-02**

(52) **U.S. Cl.**
USPC **D14/341**

(58) **Field of Classification Search**
USPC D14/341, 496, 138 AA, 138 R, 138 G, D14/138 C, 383, 250, 218, 440, 441, 432, D14/345, 447; D3/215, 218, 216; D18/6, 7, D18/12; 361/679.58; 455/90.3, 575.1
CPC H04M 1/00
See application file for complete search history.

(56) **References Cited**

U.S. PATENT DOCUMENTS

- 3,075,529 A * 1/1963 Young, Jr. A61F 7/02 604/291
- D236,492 S * 8/1975 Helgesson D13/103
- D289,873 S * 5/1987 Gemmell D14/374
- 4,825,618 A * 5/1989 Blevins E04F 13/142 52/535
- D323,503 S * 1/1992 Yoneyama D14/138 AA
- D338,076 S * 8/1993 Current D25/123
- D338,656 S * 8/1993 Spayde D14/341

- D346,366 S * 4/1994 Kim D14/342
- D346,580 S * 5/1994 Tattari D13/103
- D349,681 S * 8/1994 Siddoway D13/103
- D357,896 S * 5/1995 Berry D13/103
- D389,509 S * 1/1998 Yasoshima D18/17
- D391,298 S * 2/1998 Johnson D20/10
- 5,859,628 A * 1/1999 Ross B60R 16/0315 340/990
- D419,767 S * 2/2000 Richardson D3/273
- D443,133 S * 6/2001 Richardson D3/215
- D444,465 S * 7/2001 Do D14/341
- D448,764 S * 10/2001 Marsalka D14/322
- 6,781,824 B2 * 8/2004 Krieger G06F 1/1626 16/224

(Continued)

Primary Examiner — Paula Greene

(74) *Attorney, Agent, or Firm* — Fish & Richardson P.C.

(57) **CLAIM**

The ornamental design for a portion of a handheld device, substantially as shown and described.

DESCRIPTION

FIG. 1 is a perspective rear view of an embodiment of a handheld device.

FIG. 2 is a front view of the embodiment of FIG. 1.

FIG. 3 is a rear view of the embodiment of FIG. 1.

FIG. 4 is a right side view of the embodiment of FIG. 1.

FIG. 5 is a left side view of the embodiment of FIG. 1.

FIG. 6 is a top view of the embodiment of FIG. 1.

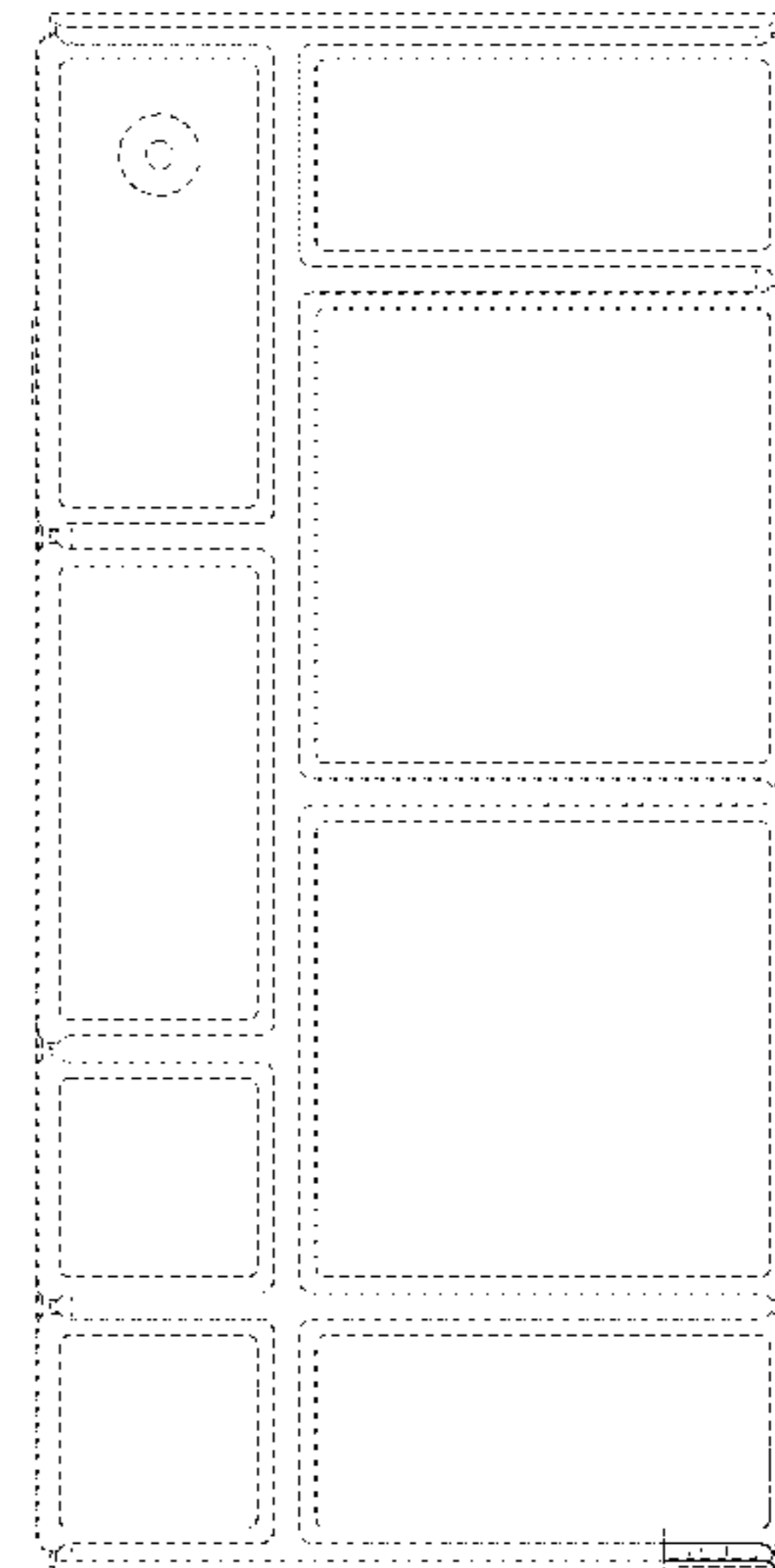
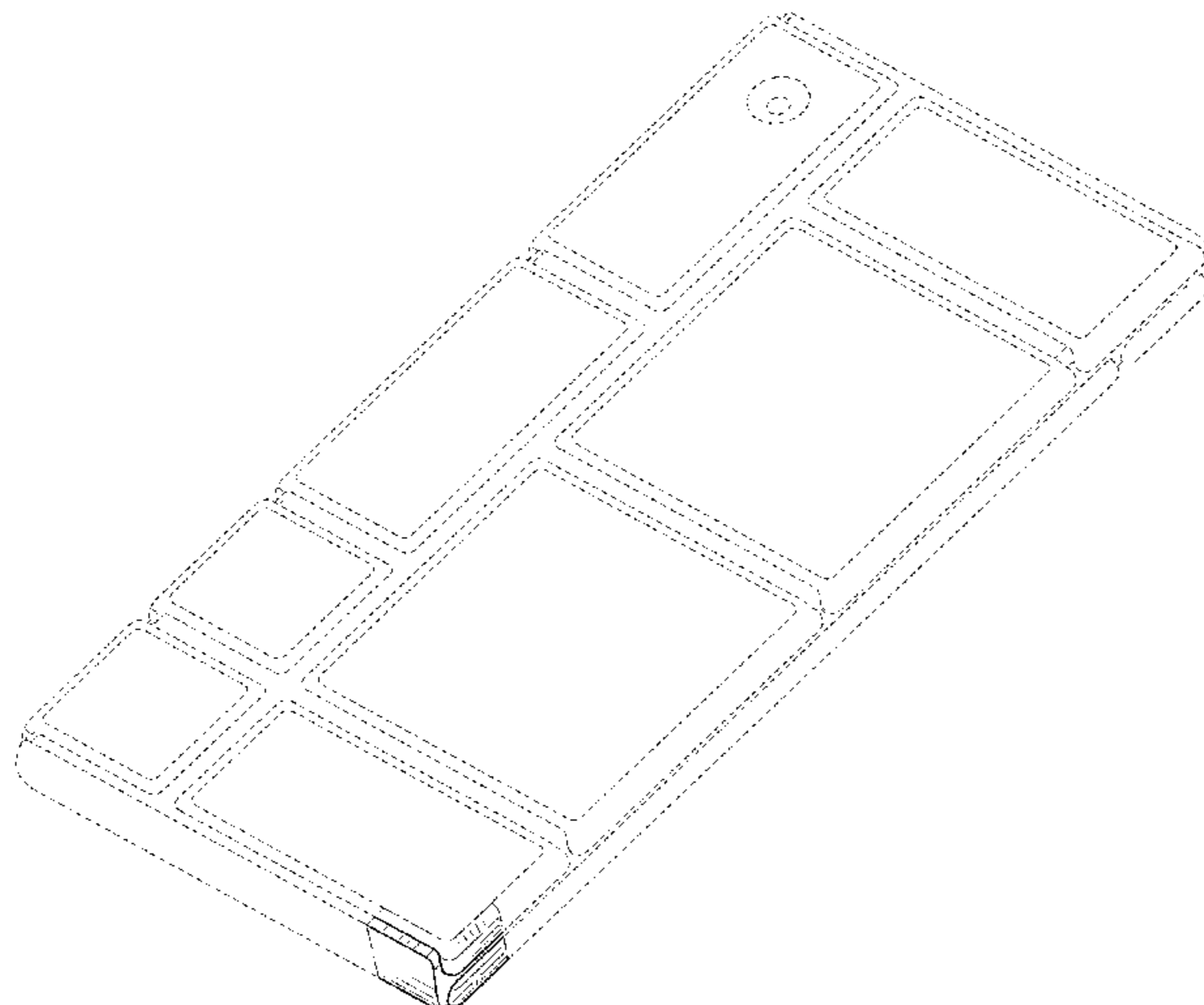
FIG. 7 is a bottom view of the embodiment of FIG. 1; and,

FIG. 8 is a magnified view of area 8 in FIG. 5.

The claimed design, bordered by a dot-dash line in the various views, is illustrated in this example as a corner portion of a handheld electronic device, such as a mobile telephone or tablet.

The broken lines in each figure illustrate graphical environmental features that form no part of the claimed design.

1 Claim, 5 Drawing Sheets



(56)

References Cited

U.S. PATENT DOCUMENTS

D514,123 S * 1/2006 Naruki D14/203.3
 D535,631 S * 1/2007 Millora D14/126
 7,230,823 B2 * 6/2007 Richardson G06F 1/1626
 220/23.91
 D557,673 S * 12/2007 Lee D14/138 AA
 D558,197 S * 12/2007 Forester D14/341
 D560,686 S * 1/2008 Kim D14/496
 D561,783 S * 2/2008 Schmelling D14/496
 D567,819 S * 4/2008 Devericks D14/496
 D573,565 S * 7/2008 Edwards D14/138 AA
 D579,461 S * 10/2008 Lau D14/496
 D580,387 S * 11/2008 Andre D14/138 G
 D583,479 S * 12/2008 Yim D24/206
 D592,646 S * 5/2009 Sun D14/218
 D593,319 S * 6/2009 Richardson D3/218
 D594,030 S * 6/2009 Rayn D14/496
 D596,305 S * 7/2009 Usui D24/206
 D602,014 S * 10/2009 Andre D14/341
 D604,727 S * 11/2009 Chu D14/248
 D606,061 S * 12/2009 Chen D14/248
 D606,986 S * 12/2009 de Jong D14/250
 D620,919 S * 8/2010 Lee D14/203.3
 D627,344 S * 11/2010 Chien D14/138 G
 D629,799 S * 12/2010 Andre D14/341
 D634,313 S * 3/2011 Fitzpatrick D14/250

D634,394 S * 3/2011 Whitman D23/201
 7,899,504 B2 * 3/2011 Impio H04M 1/0247
 455/550.1
 D635,536 S * 4/2011 Xiao D14/138 AA
 D638,015 S * 5/2011 Chong D14/336
 D641,333 S * 7/2011 Lee D14/138 AA
 D641,346 S * 7/2011 Fathollahi D14/250
 D654,931 S * 2/2012 Lemelman D14/496
 D655,699 S * 3/2012 Bau D14/250
 D656,494 S * 3/2012 Bau D14/250
 D662,932 S * 7/2012 Park D14/341
 8,245,843 B1 * 8/2012 Wu H01M 10/465
 150/165
 D671,948 S * 12/2012 Akana D14/440
 D674,801 S * 1/2013 Wharram D13/102
 D685,776 S * 7/2013 Bau D14/250
 D686,629 S * 7/2013 Trinh D14/447
 D698,341 S * 1/2014 Lee D14/248
 D701,205 S * 3/2014 Akana D14/341
 D709,058 S * 7/2014 Hemesath D14/250
 D714,784 S * 10/2014 Park D14/341
 D719,145 S * 12/2014 Barfoot D14/250
 D723,041 S * 2/2015 Kim D14/440
 D726,169 S * 4/2015 Powell D14/250
 2010/0089779 A1 * 4/2010 Bowers A45C 7/0095
 206/320
 2013/0286582 A1 * 10/2013 Dabov H01Q 1/243
 361/679.55

* cited by examiner

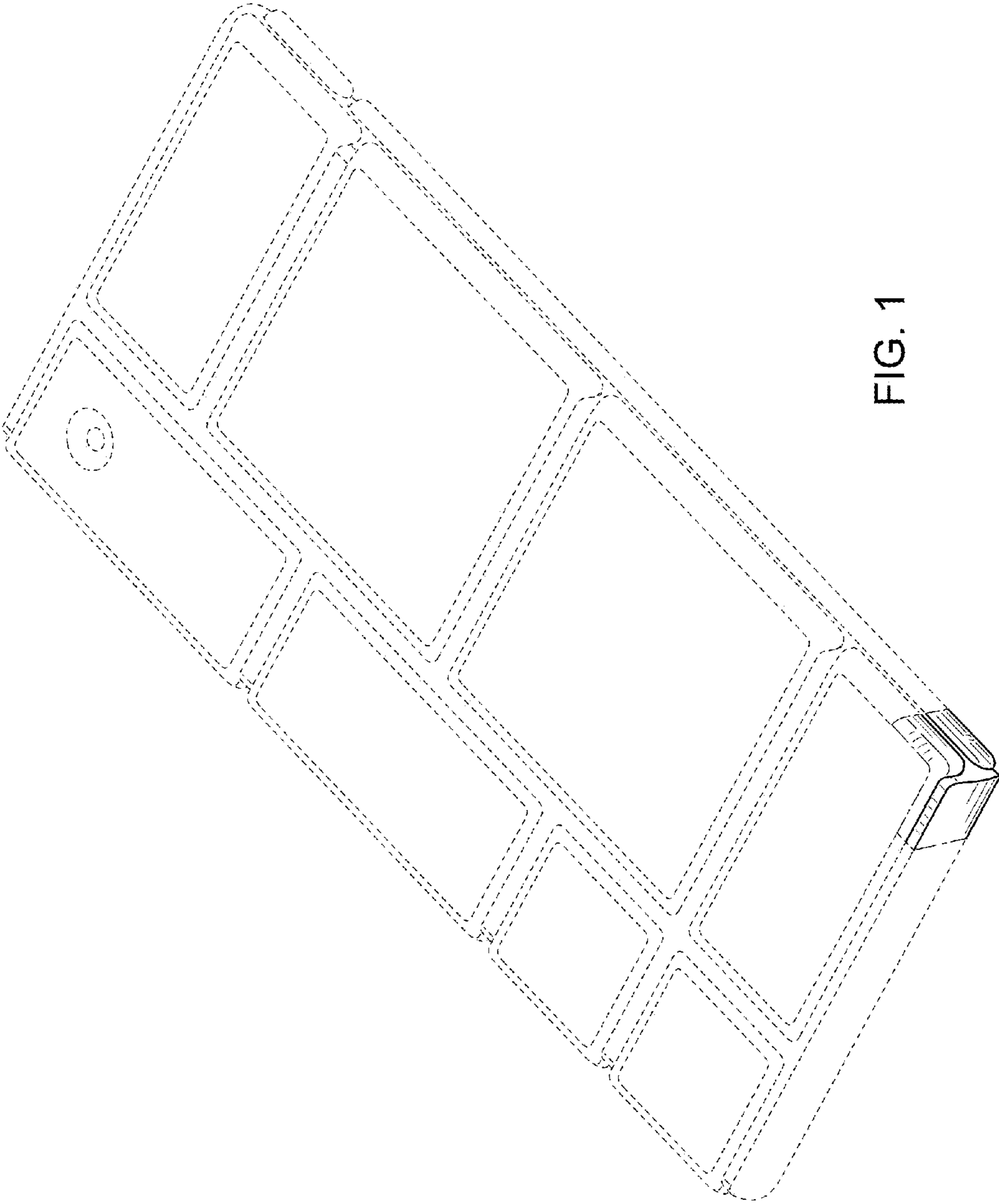


FIG. 1

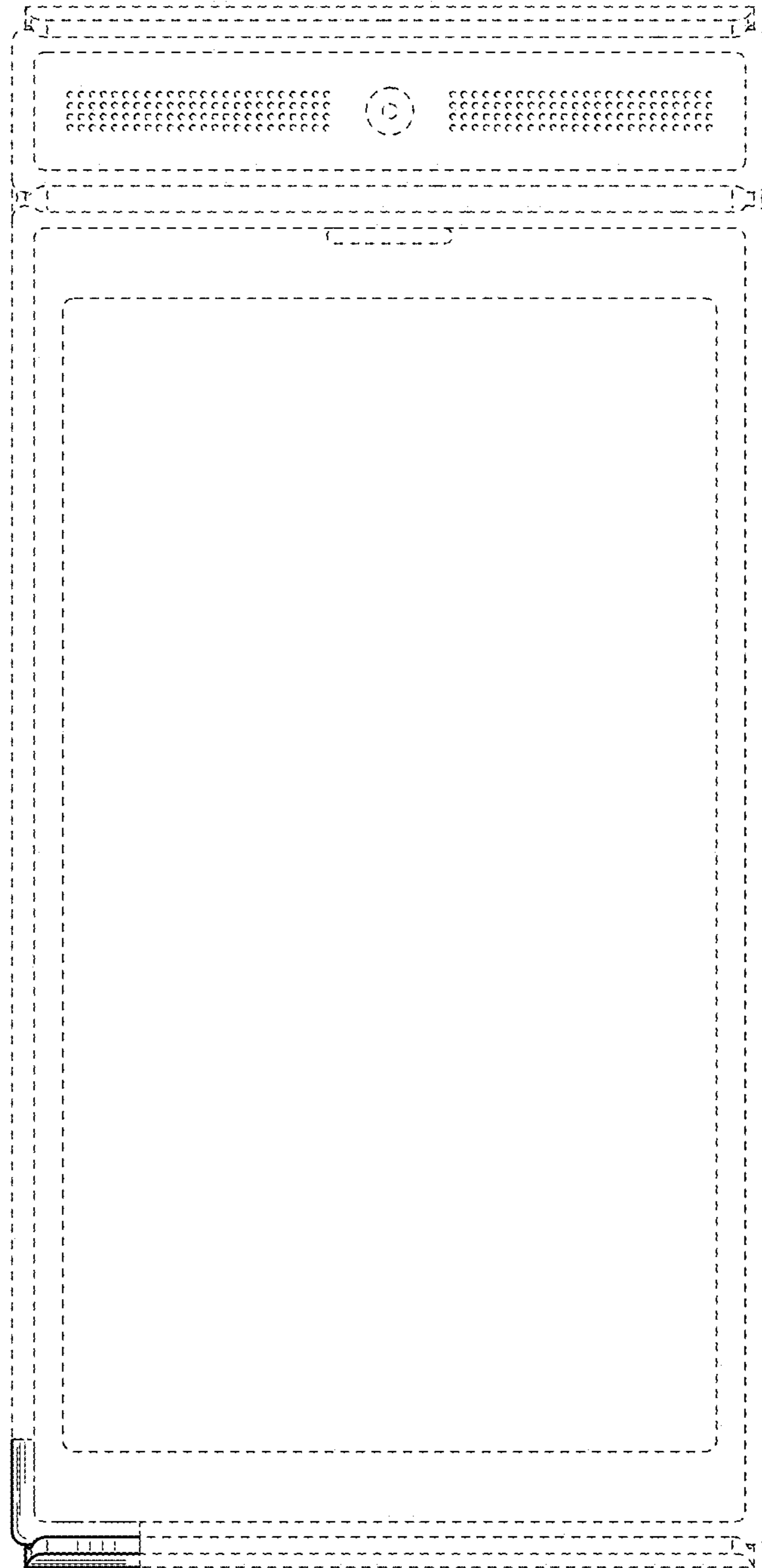


FIG. 2

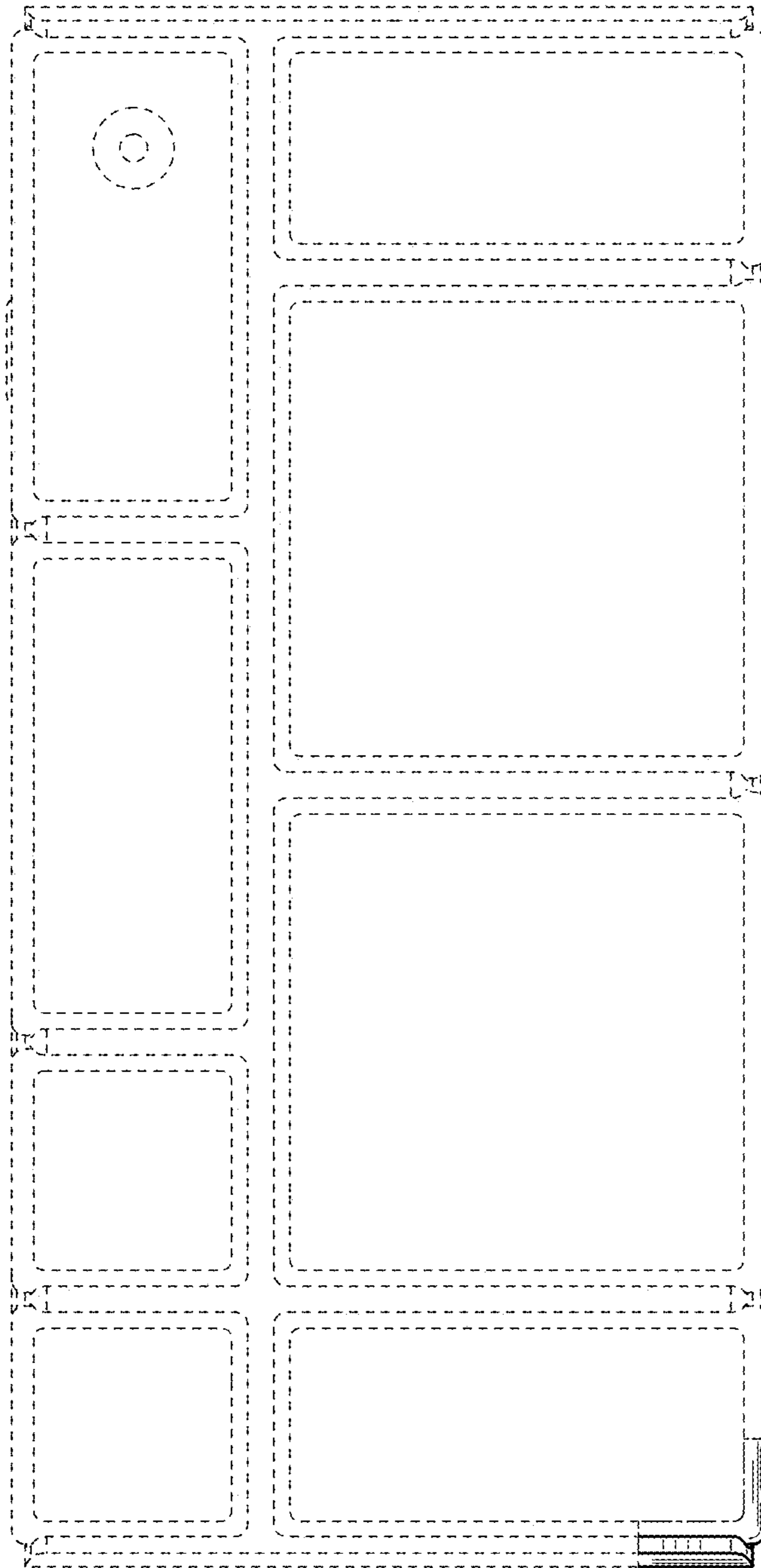


FIG. 3

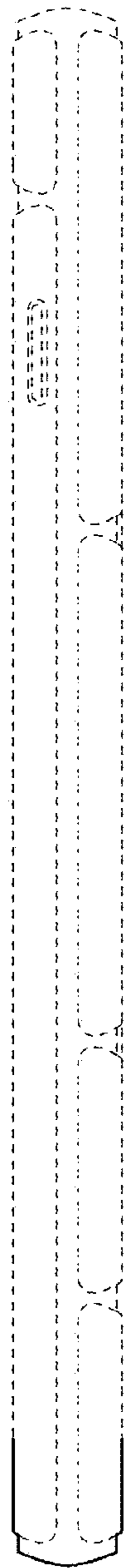


FIG. 4

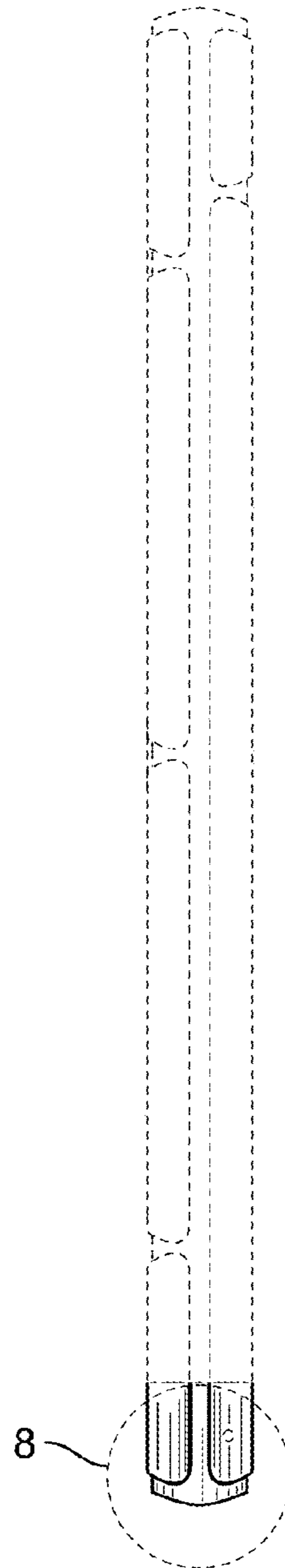


FIG. 5

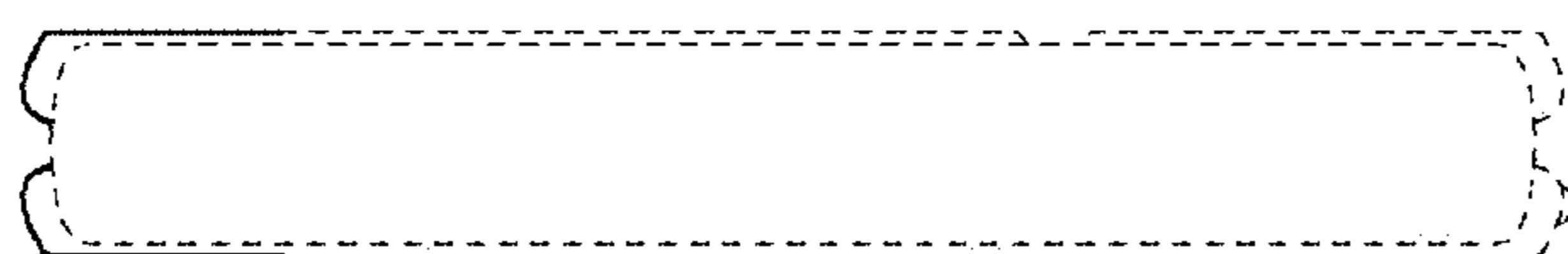


FIG. 6

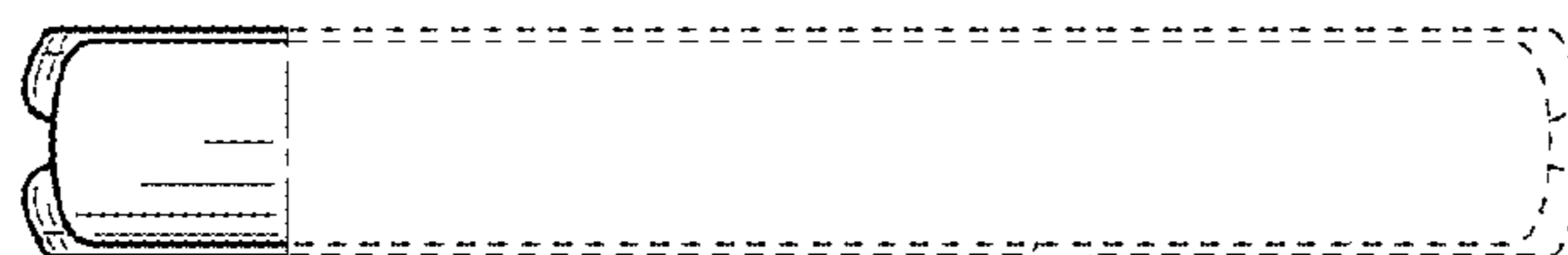


FIG. 7

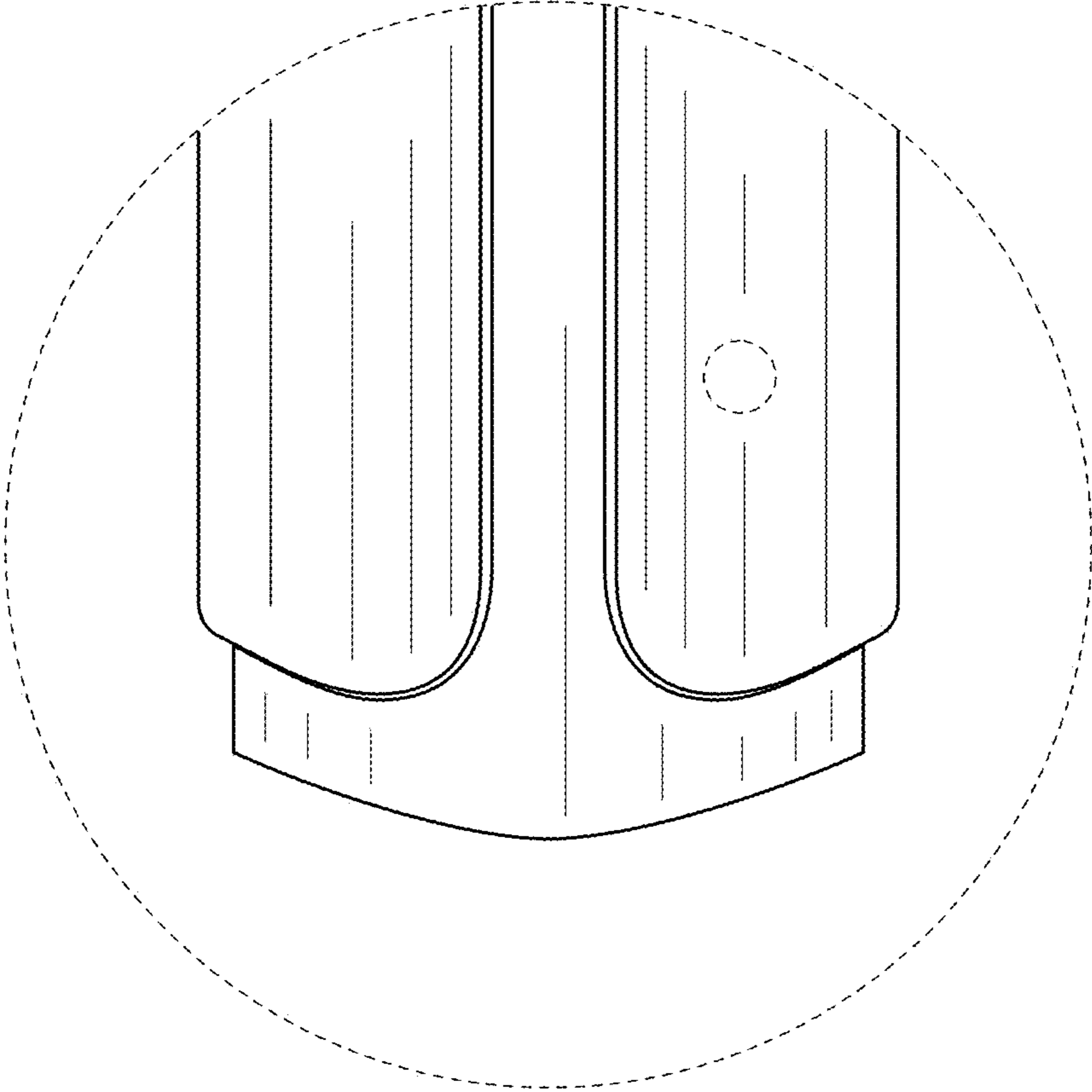


FIG. 8