



US00D750612S

(12) **United States Design Patent**
Chen

(10) **Patent No.:** **US D750,612 S**
(45) **Date of Patent:** **** Mar. 1, 2016**

(54) **CAR AIR VENT MOUNT HOLDER FOR
CELLPHONES**

(71) Applicant: **Ko-An Chen**, Taipei (TW)

(72) Inventor: **Ko-An Chen**, Taipei (TW)

(**) Term: **14 Years**

(21) Appl. No.: **29/491,841**

(22) Filed: **May 26, 2014**

(51) **LOC (10) Cl.** **14-03**

(52) **U.S. Cl.**
USPC **D14/253**; D14/447

(58) **Field of Classification Search**
USPC D14/251–253, 432, 434, 447, 451, 452,
D14/140, 142, 149, 217, 240; D21/313;
D13/107, 108; D10/23; D8/71, 72, 74,
D8/349, 373; D6/302, 303, 306, 310, 312;
455/575.1; D19/88; D16/242, 245;
D3/218; D12/415
CPC H04M 1/00; H04M 1/04; H04M 1/06;
H04M 1/11; F16M 11/04; F16M 11/041;
B60R 11/02; B60R 11/0241; B60R 11/0258;
B60R 11/0252

See application file for complete search history.

(56) **References Cited**

U.S. PATENT DOCUMENTS

4,560,831	A *	12/1985	Bast et al.	379/454
D331,181	S *	11/1992	Kl bel	D8/73
6,085,113	A *	7/2000	Fan	455/569.1
6,312,284	B1 *	11/2001	Tsay	439/529
D456,024	S *	4/2002	Richter	D14/434
6,687,513	B1 *	2/2004	Hsu Li	455/557
D529,905	S *	10/2006	Richter	D14/253
D530,713	S *	10/2006	Richter	D14/253
D603,322	S *	11/2009	Nicieja	D12/415
D655,283	S *	3/2012	Richter	D14/253
D674,397	S *	1/2013	Asher	D14/447

D685,380	S *	7/2013	Richter	D14/447
D690,707	S *	10/2013	Minn et al.	D14/447
D705,211	S *	5/2014	Huang	D14/253
D707,672	S *	6/2014	Lai	D14/253
D709,066	S *	7/2014	Byun	D14/253
D715,790	S *	10/2014	Conomos et al.	D14/253
D715,791	S *	10/2014	Yu	D14/253
D717,307	S *	11/2014	Chun	D14/447
D718,297	S *	11/2014	Aspinall et al.	D14/253
D720,759	S *	1/2015	Deng et al.	D14/447
9,080,714	B2 *	7/2015	Minn et al.		
2002/0159587	A1 *	10/2002	Chang	379/454
2005/0236536	A1 *	10/2005	Fan	248/176.3
2006/0278788	A1 *	12/2006	Fan	248/309.1
2010/0294818	A1 *	11/2010	LaFargue et al.	224/400
2010/0295228	A1 *	11/2010	Woody	269/254 R
2014/0138419	A1 *	5/2014	Minn et al.	224/567
2014/0176062	A1 *	6/2014	Jung	320/108
2015/0002085	A1 *	1/2015	Fan	320/108

* cited by examiner

Primary Examiner — Susan Bennett Hattan

Assistant Examiner — Marie Fast Horse

(74) *Attorney, Agent, or Firm* — Leong C. Lei

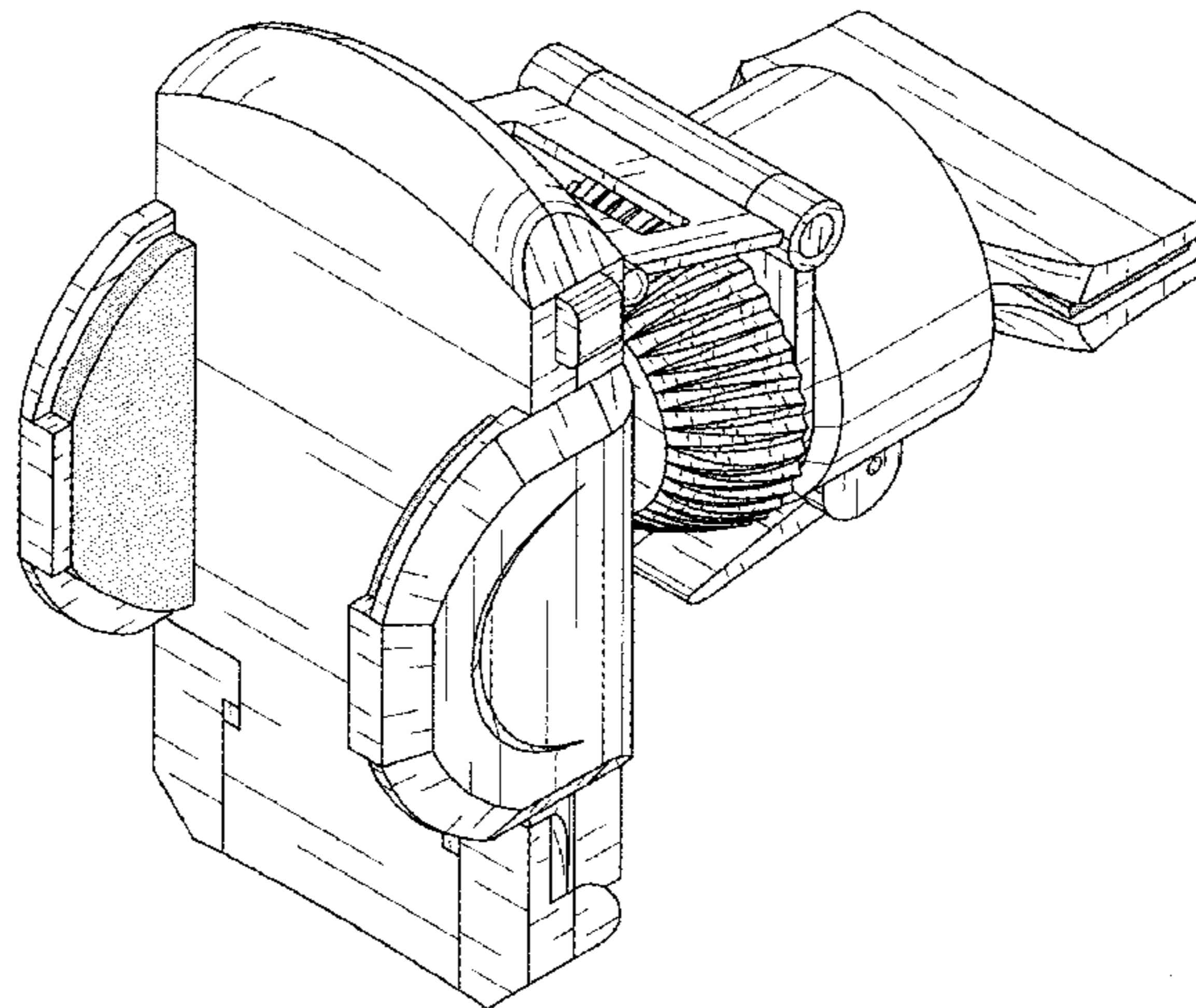
(57) **CLAIM**

The ornamental design for a car air vent mount holder for cellphones, as shown and described.

DESCRIPTION

FIG. 1 is a front perspective view of a car air vent mount holder for cellphones showing my new design; FIG. 2 is a front elevational view thereof; FIG. 3 is a rear elevational view thereof; FIG. 4 is a left elevational view thereof; FIG. 5 is a right elevational view thereof; FIG. 6 is a top plan view thereof; and, FIG. 7 is a bottom plan view thereof. The portions of the article shown in broken lines form no part of the claimed design.

1 Claim, 7 Drawing Sheets



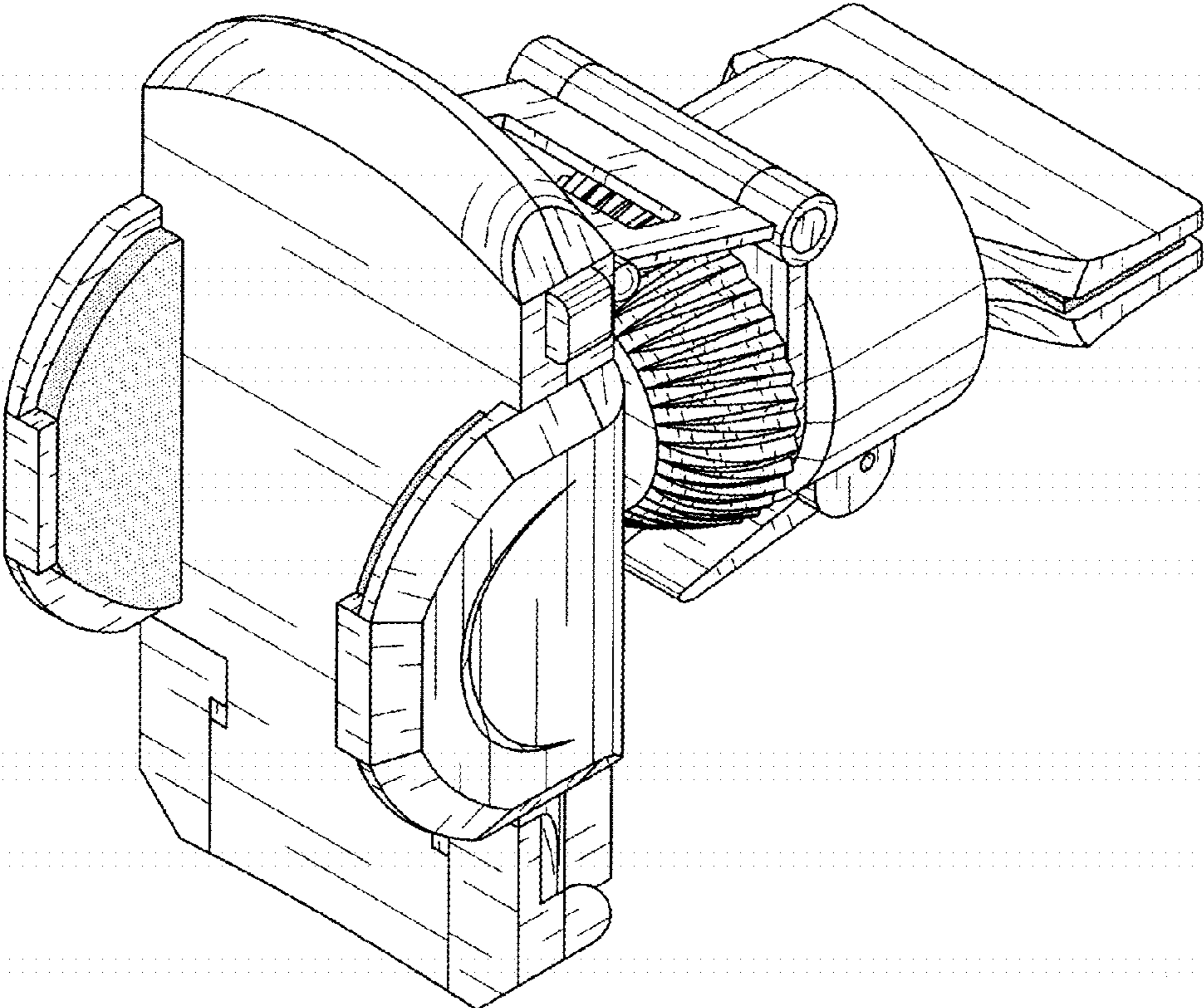


FIG. 1

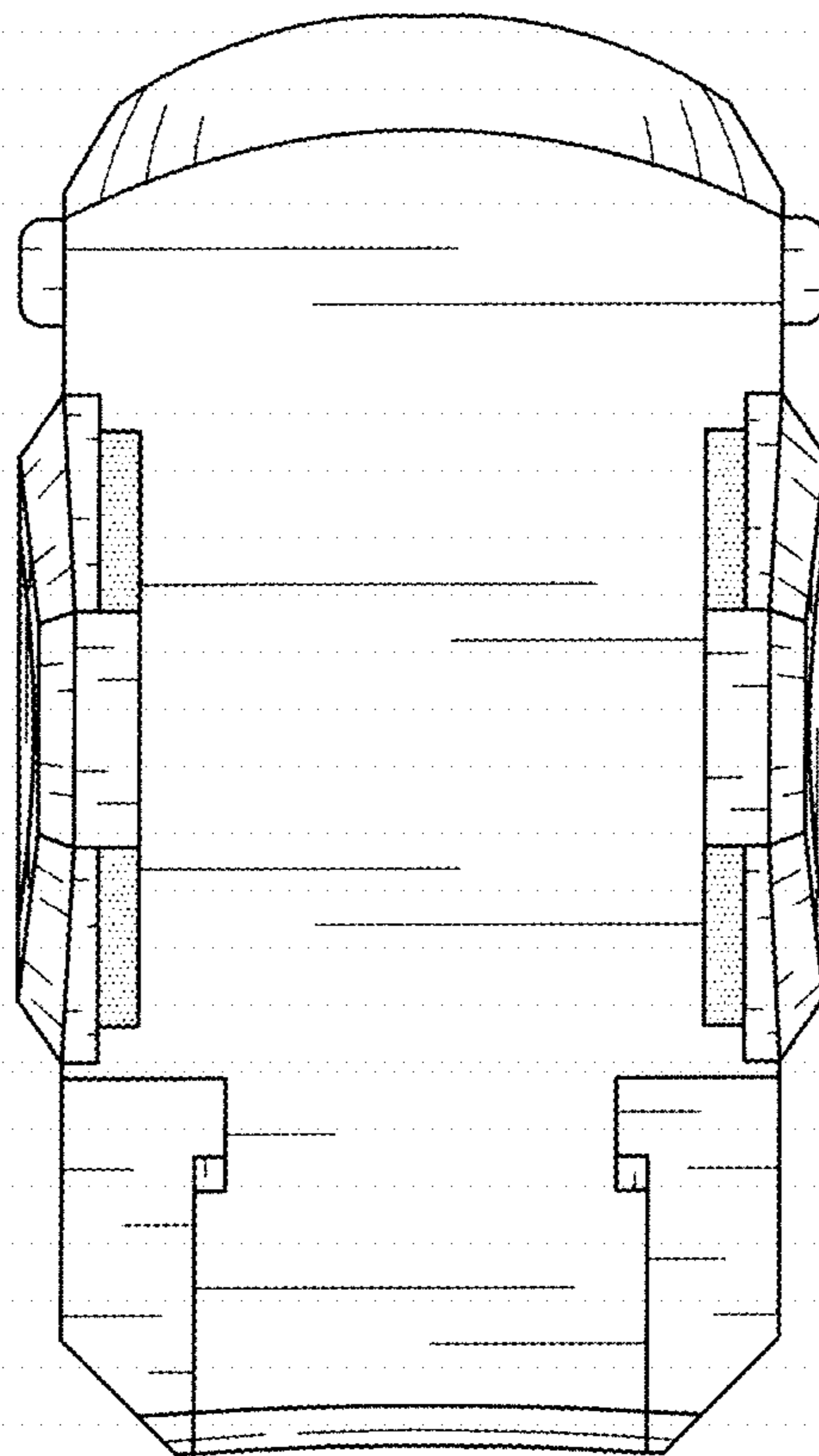


FIG. 2

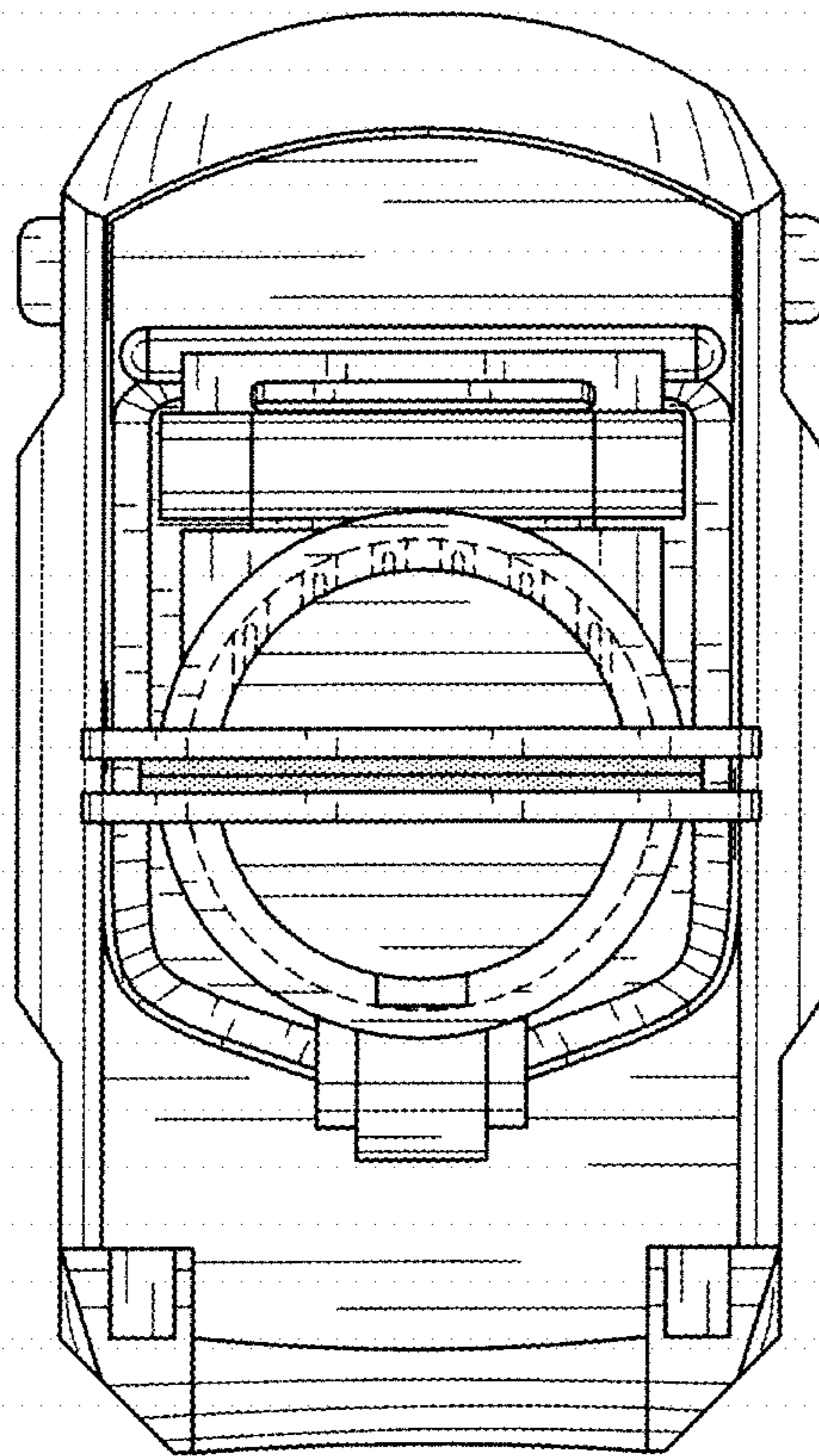


FIG. 3

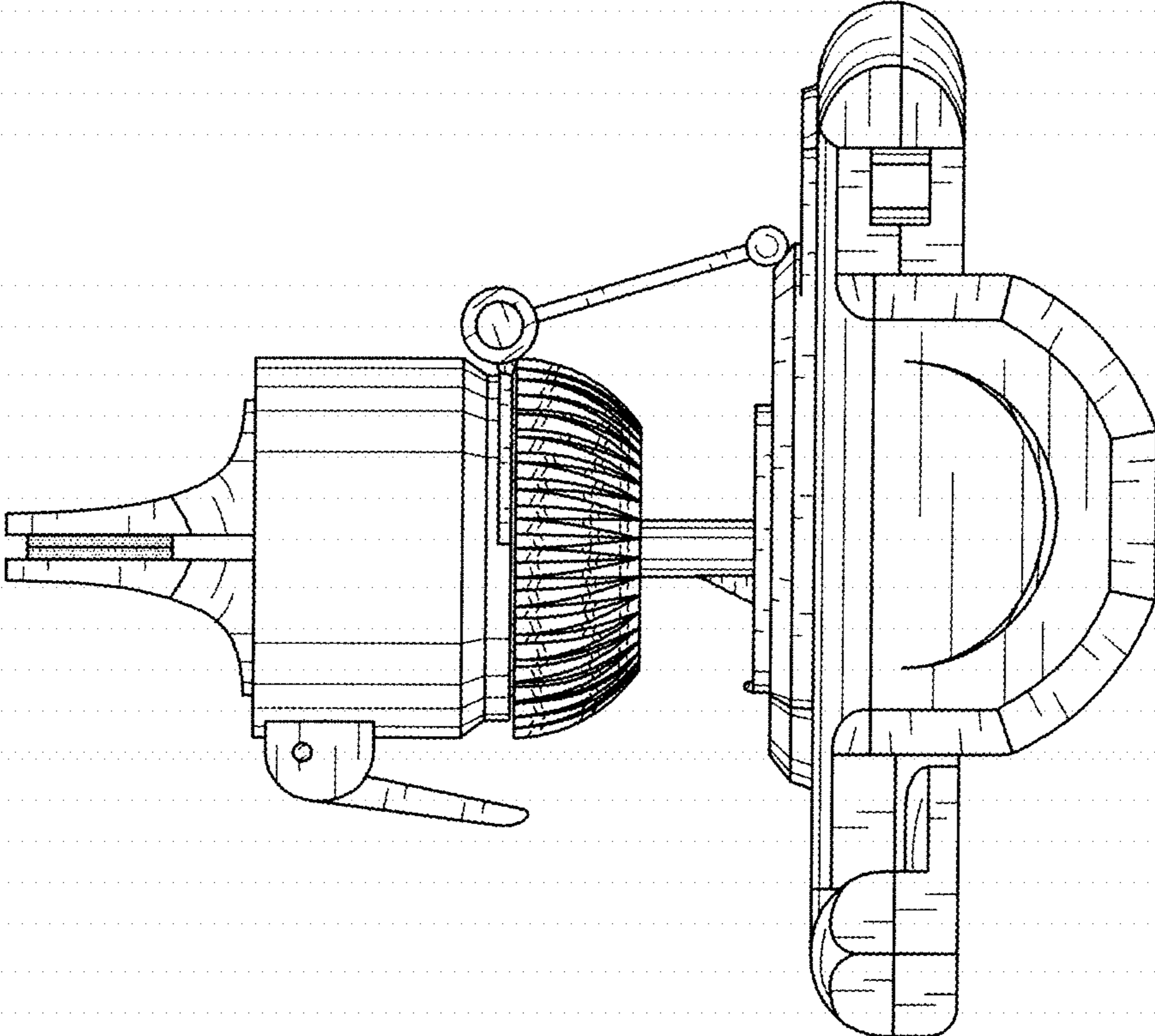


FIG. 4

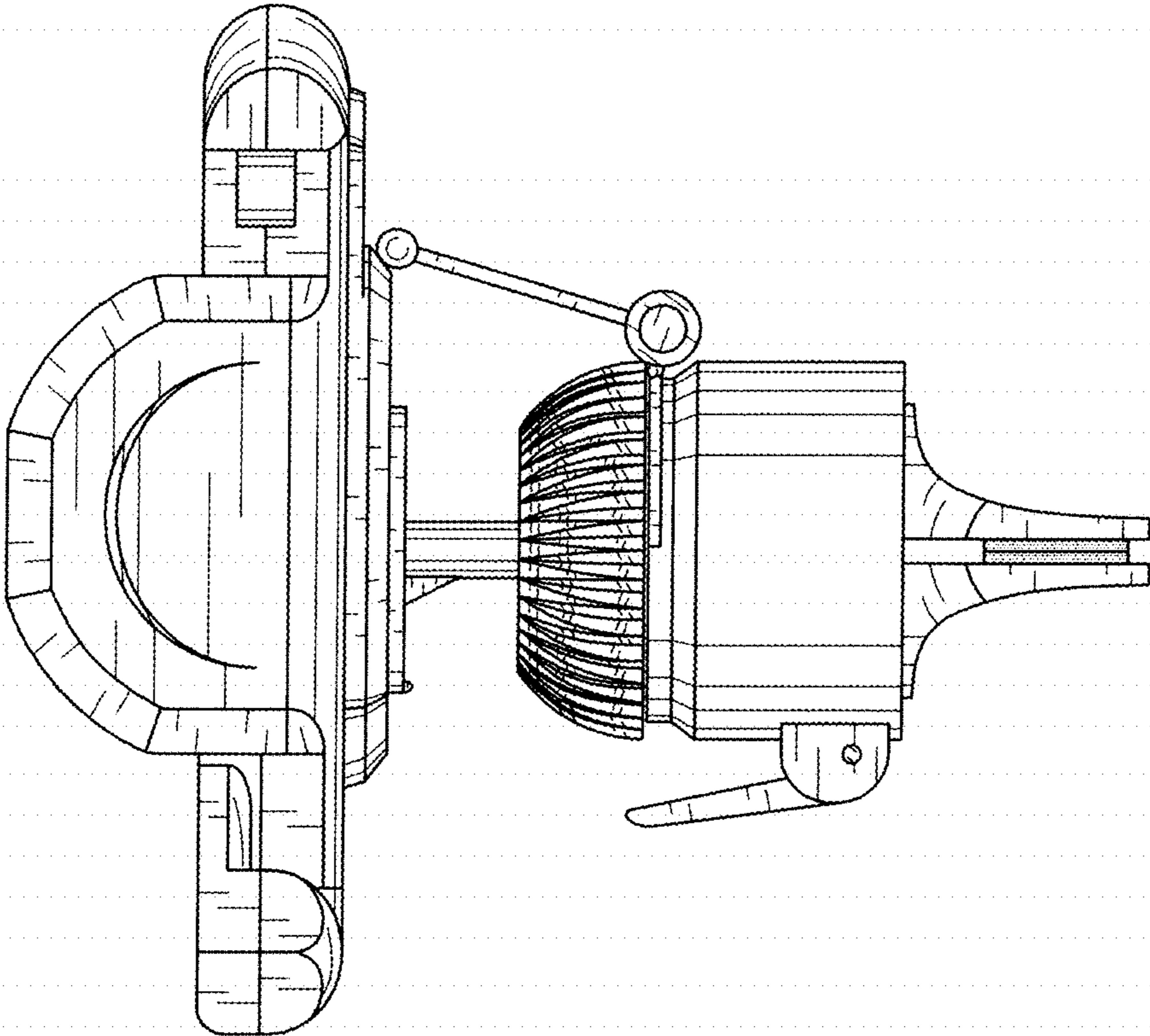


FIG. 5

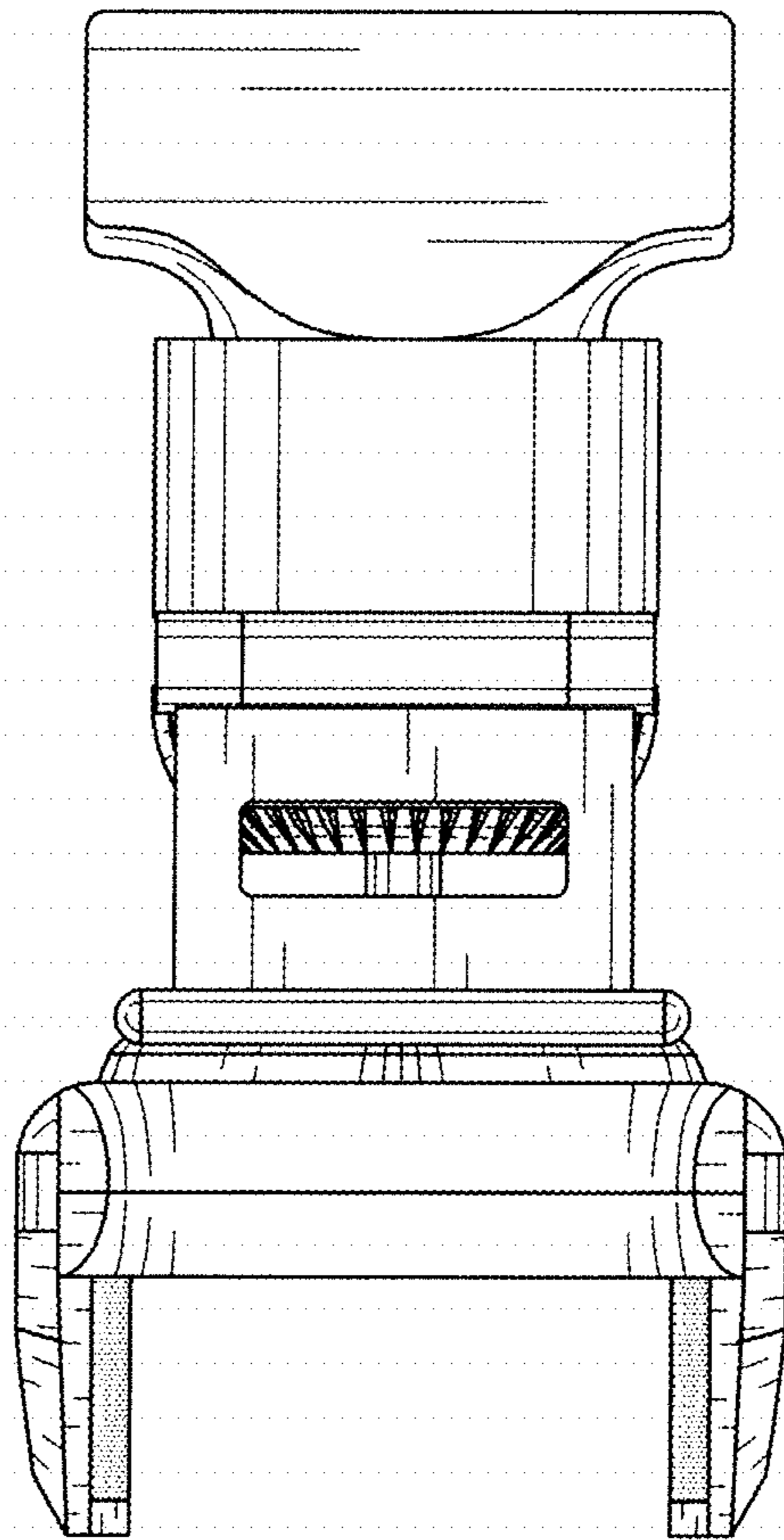


FIG. 6

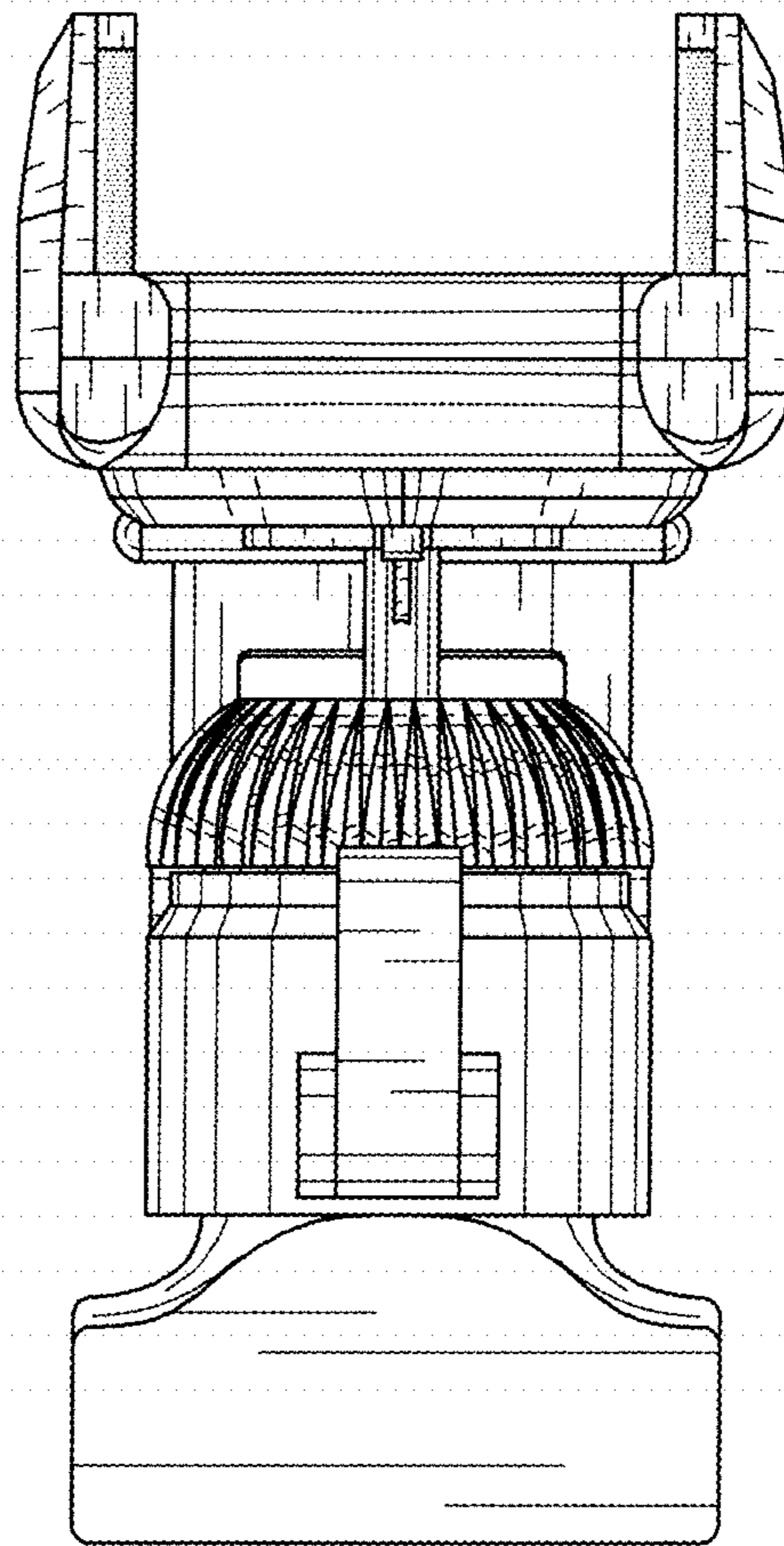


FIG. 7