



US00D750611S

(12) **United States Design Patent**  
**Manibog**

(10) **Patent No.:** **US D750,611 S**  
(45) **Date of Patent:** **\*\* Mar. 1, 2016**

(54) **CLAMP FOR A MOBILE DEVICE HOLDER**

(71) Applicant: **Bernardine Anela Manibog**, Waipahu, HI (US)

(72) Inventor: **Bernardine Anela Manibog**, Waipahu, HI (US)

(\*\*) Term: **14 Years**

(21) Appl. No.: **29/474,596**

(22) Filed: **Nov. 13, 2014**

(51) **LOC (10) Cl.** ..... **14-02**

(52) **U.S. Cl.**  
USPC ..... **D14/252**

(58) **Field of Classification Search**  
USPC ..... D8/71-73; D14/140, 217, 238.1, 240, D14/251, 252, 256, 432, 433, 471, 483; D16/237, 242-245; 224/270, 271; 248/158, 160; 352/242, 243; 396/419, 396/428

See application file for complete search history.

(56) **References Cited**

**U.S. PATENT DOCUMENTS**

- 2,510,198 A \* 6/1950 Tesmer ..... B23Q 1/285 248/160
- D257,259 S \* 10/1980 Shiraishi ..... D16/244
- D293,470 S \* 12/1987 Adler ..... D24/140
- D308,205 S \* 5/1990 Tholberg ..... 379/455
- D327,211 S \* 6/1992 Tarshis ..... D14/229
- 5,163,752 A \* 11/1992 Copeland ..... F16M 11/40 362/191
- D376,970 S \* 12/1996 Drake ..... D8/72
- D382,286 S \* 8/1997 Doran ..... 224/908
- D394,669 S \* 5/1998 Becker ..... 224/908
- 6,705,578 B2 \* 3/2004 Mulford ..... A01M 31/02 248/187.1
- D502,956 S \* 3/2005 Holmes ..... 396/428
- D515,613 S \* 2/2006 Holmes ..... 396/428
- 8,028,963 B2 \* 10/2011 Speggiorin ..... F16M 11/16 248/177.1
- D658,651 S \* 5/2012 Lee ..... D14/452

- D670,284 S \* 11/2012 Choi ..... D14/253
- D670,752 S \* 11/2012 Barber ..... D16/242
- D720,344 S \* 12/2014 Yu ..... D14/253
- 2004/0211868 A1 \* 10/2004 Holmes ..... F16M 11/40 248/231.71
- 2007/0262506 A1 \* 11/2007 Alberti ..... B25B 5/067 269/249

\* cited by examiner

*Primary Examiner* — Susan Bennett Hattan

*Assistant Examiner* — Leanne Was

(74) *Attorney, Agent, or Firm* — Keri Ann K. S. Krzykowski; Martin E. Hsia

(57) **CLAIM**

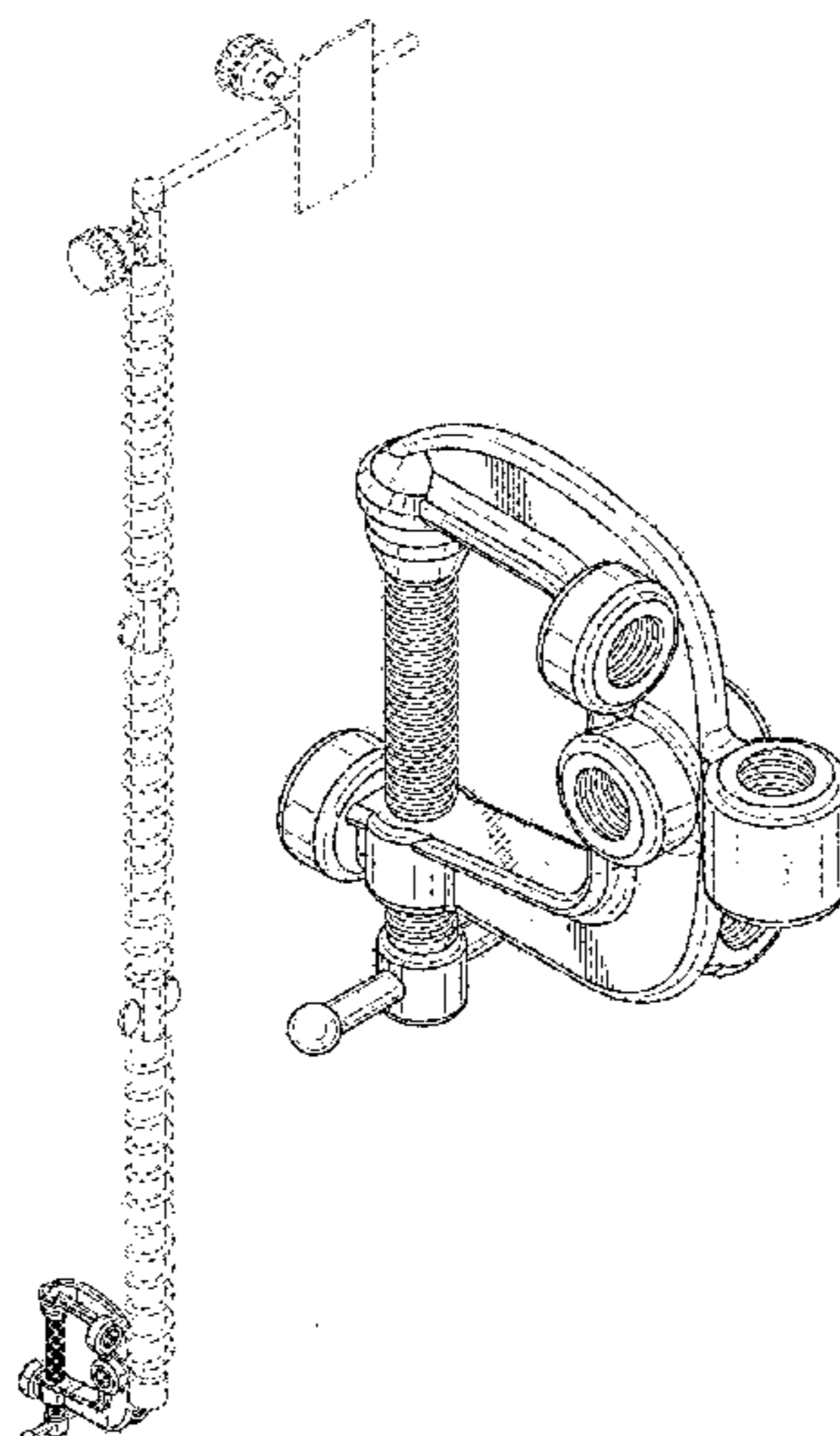
The ornamental design for a clamp for a mobile device holder, as shown and described.

**DESCRIPTION**

FIG. 1 is a perspective view from the front top left thereof; FIG. 2 is a perspective view from the front top left thereof, drawn to an enlarged scale to show detail; FIG. 3 is a perspective view from the front top right thereof, drawn to an enlarged scale to show detail; FIG. 4 is an elevational view from the left thereof, drawn to an enlarged scale to show detail; FIG. 5 is an elevational view from the right thereof, drawn to an enlarged scale to show detail; FIG. 6 is a top plan view thereof, drawn to an enlarged scale to show detail; FIG. 7 is a bottom plan view thereof, drawn to an enlarged scale to show detail; FIG. 8 is an elevational view from the front thereof, drawn to an enlarged scale to show detail; FIG. 9 is an elevational view from the rear thereof, drawn to an enlarged scale to show detail; and, FIG. 10 is a perspective view from the rear top left thereof, drawn to an enlarged scale to show detail.

The broken lines in FIG. 1 depict environment for the clamp for a mobile device holder.

**1 Claim, 8 Drawing Sheets**



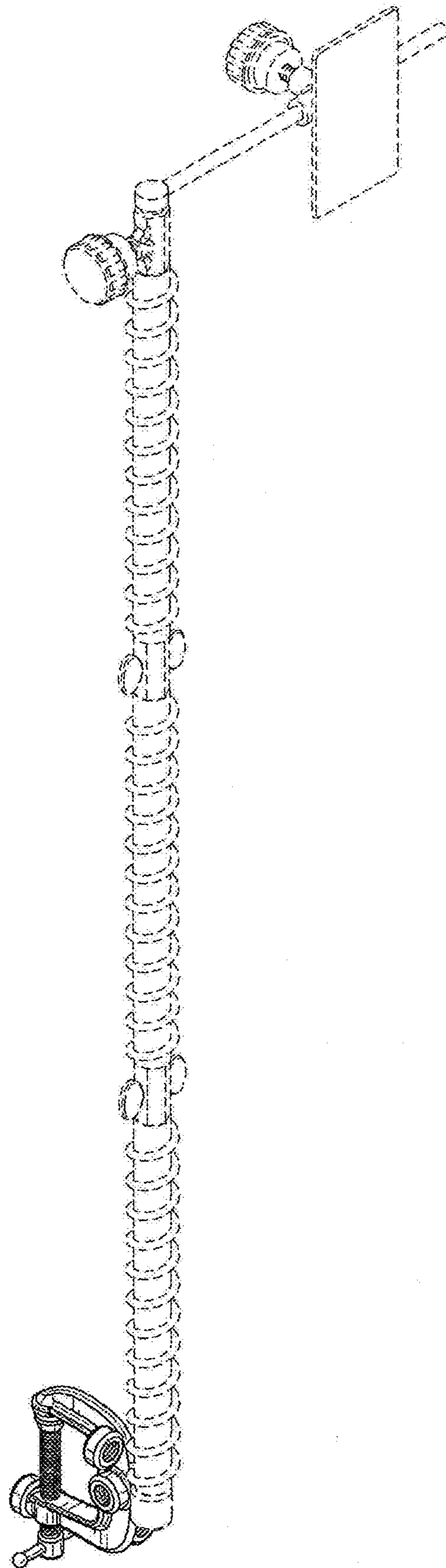


FIG. 1

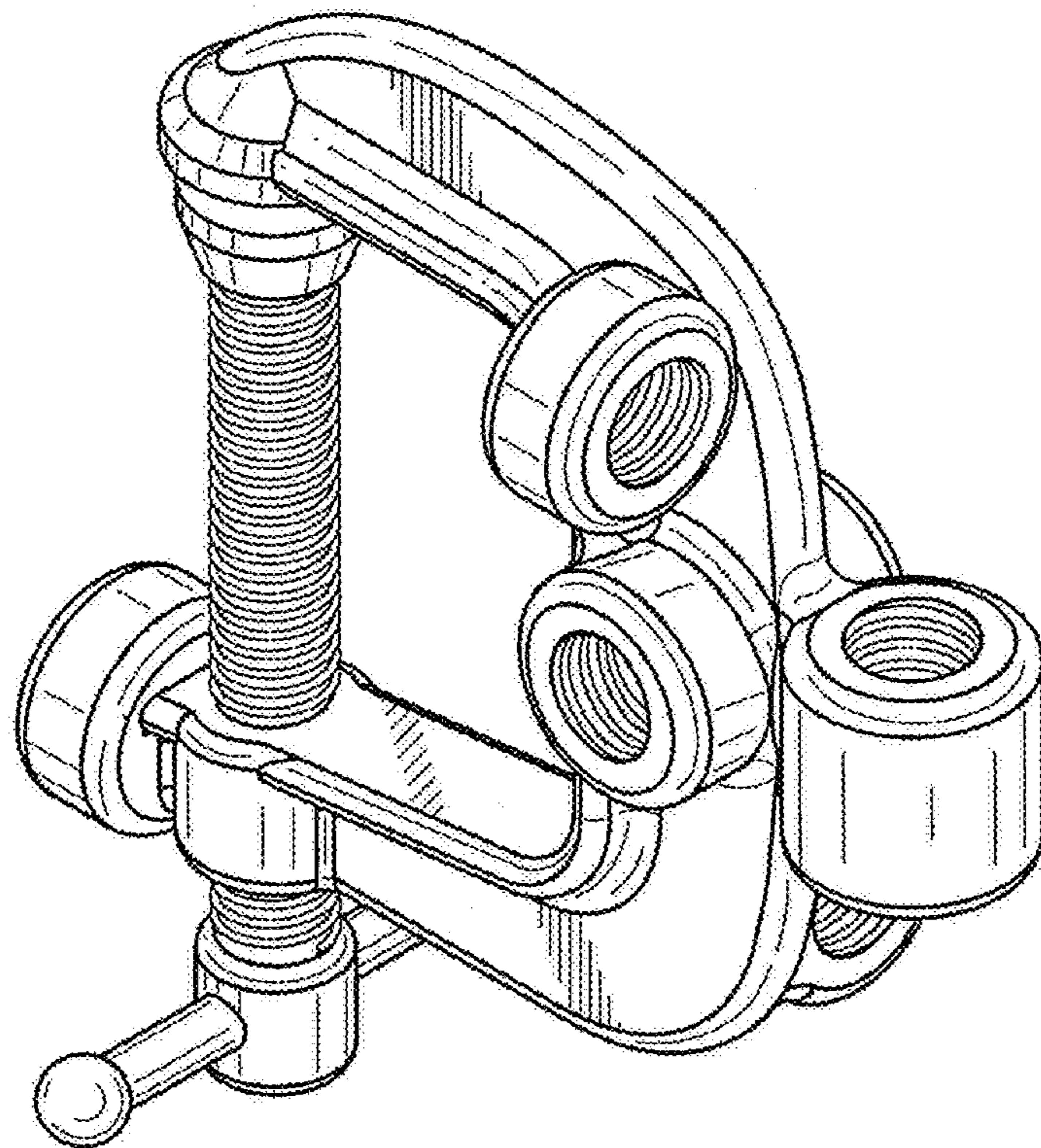


FIG. 2

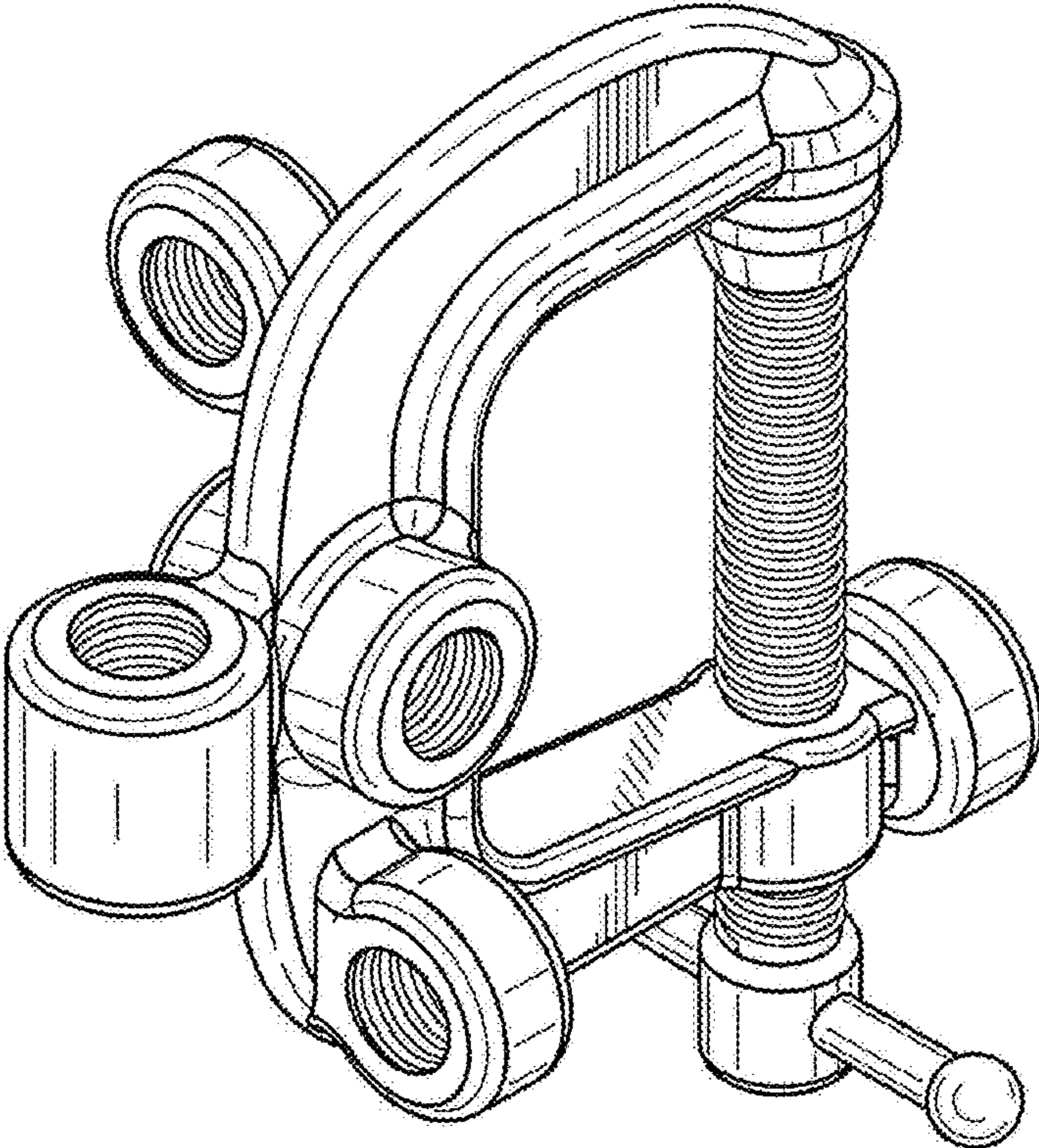


FIG. 3

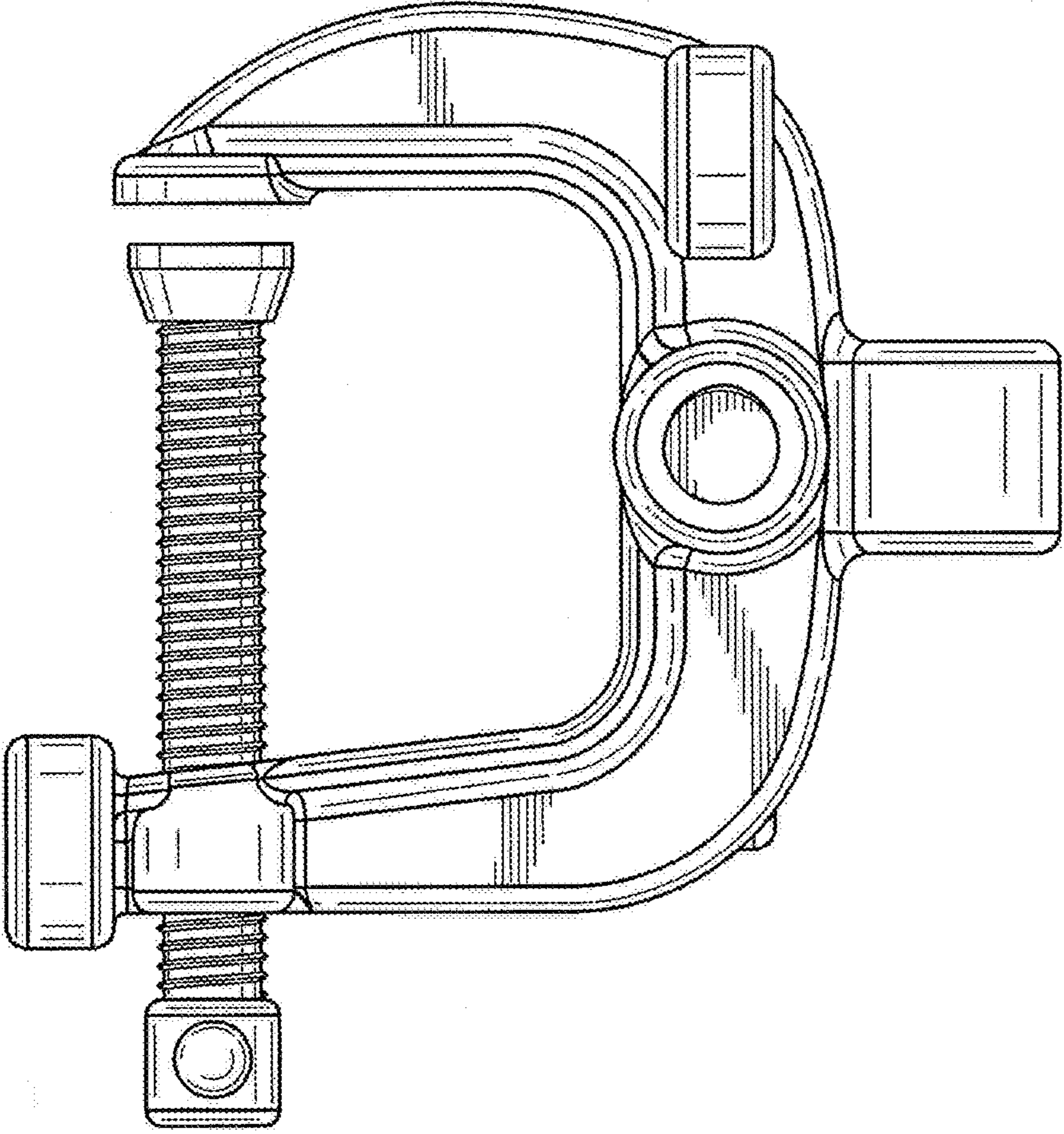


FIG. 4

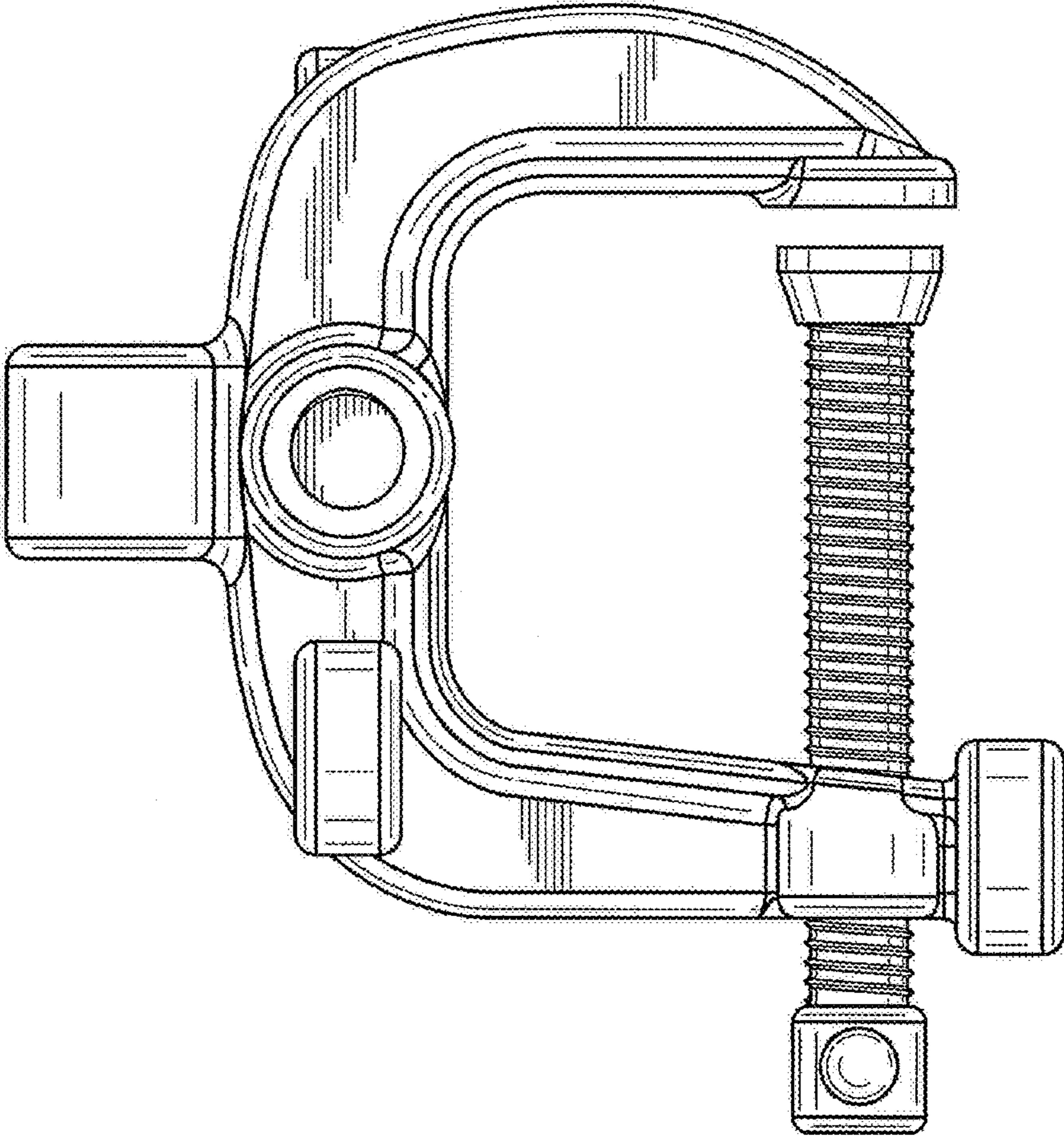


FIG. 5

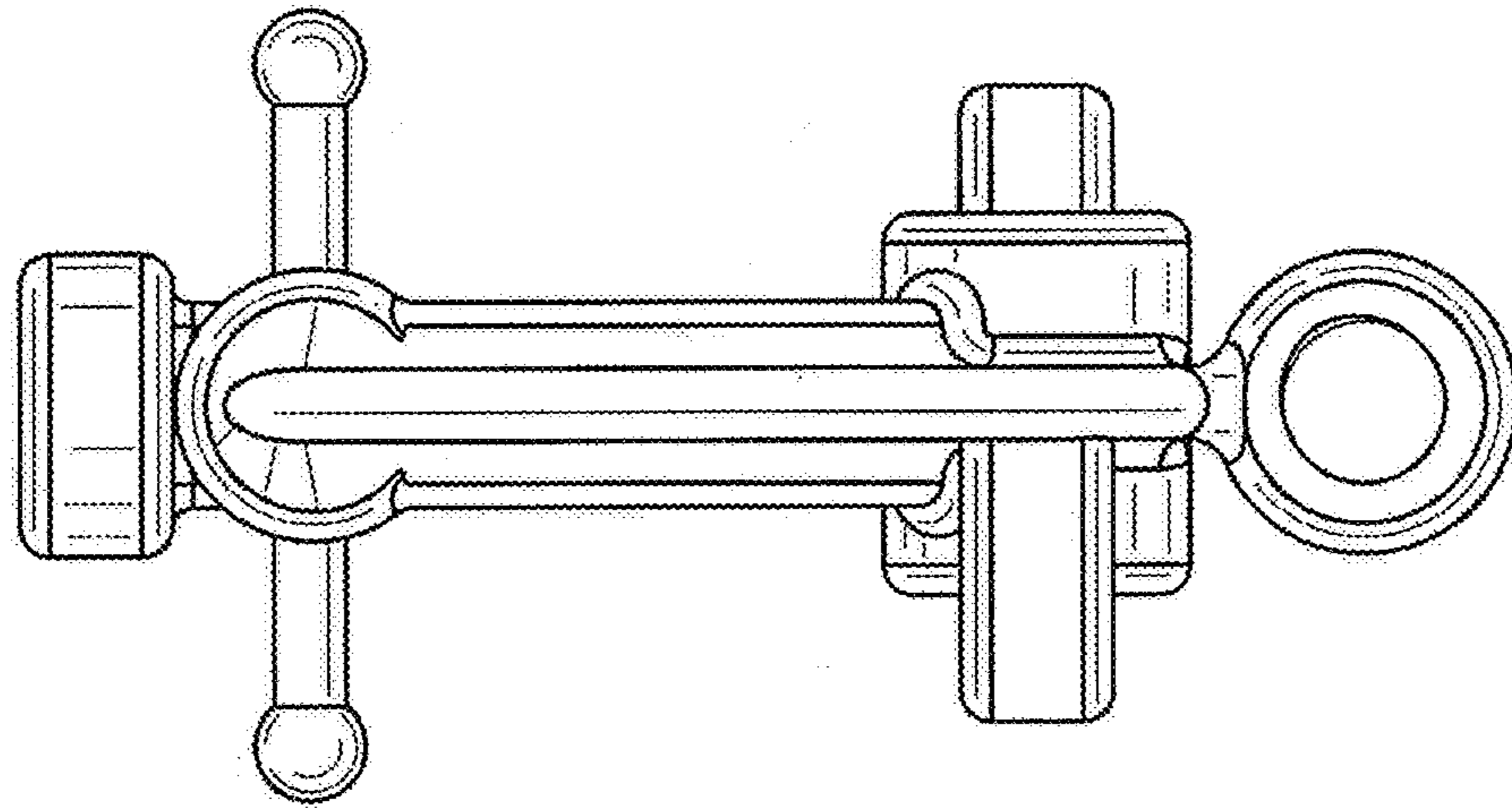


FIG. 6

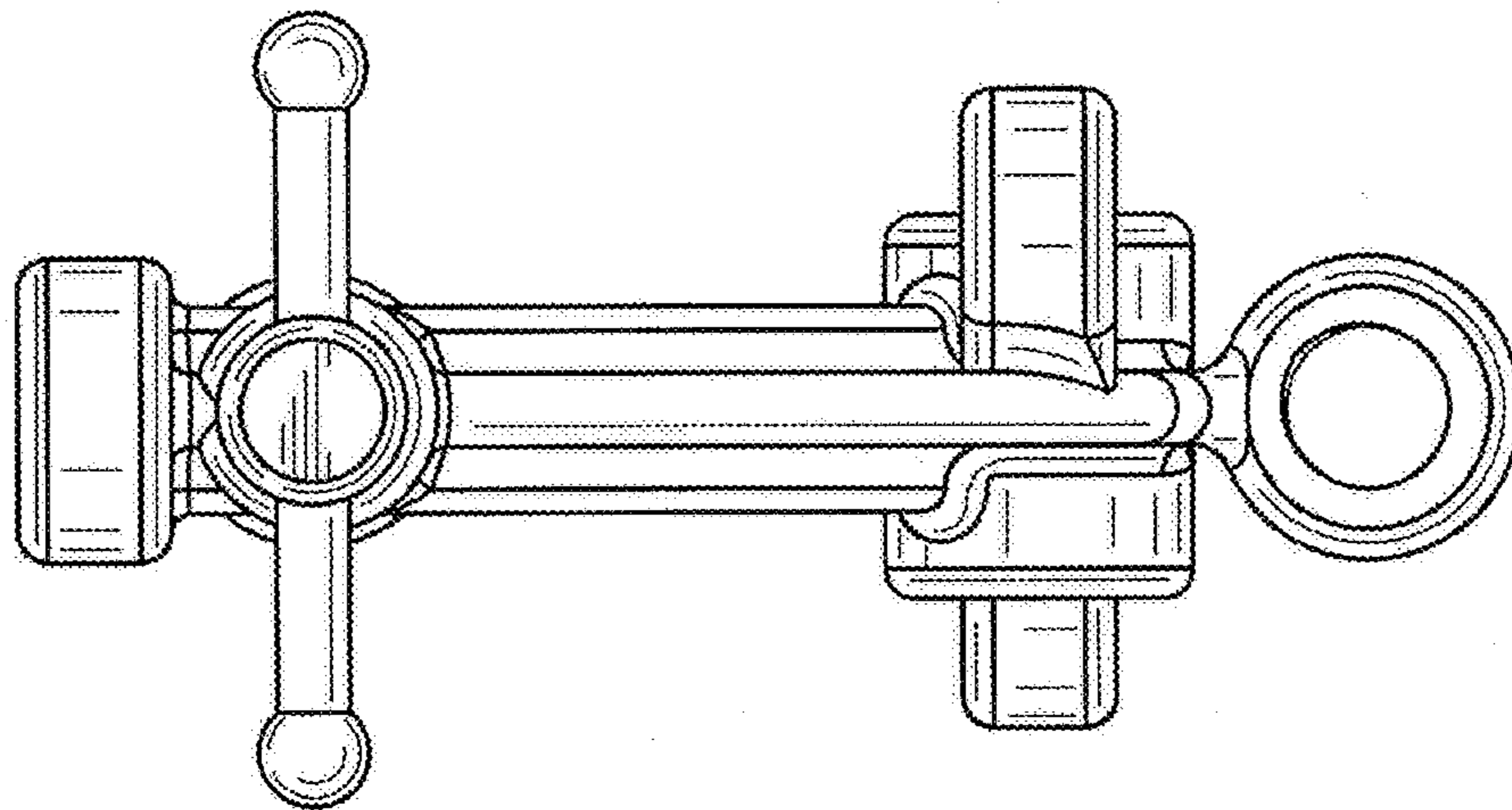


FIG. 7

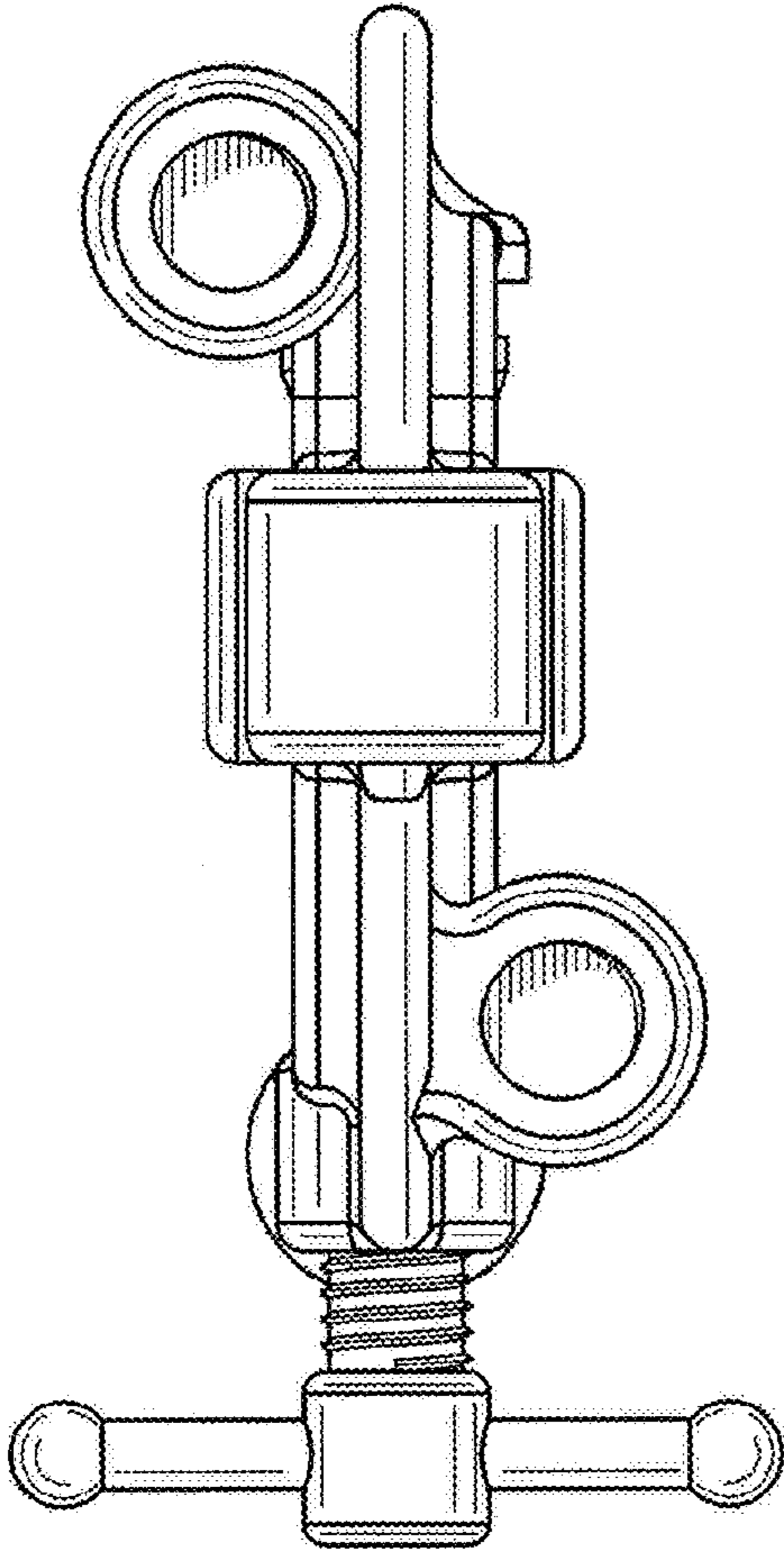


FIG. 8

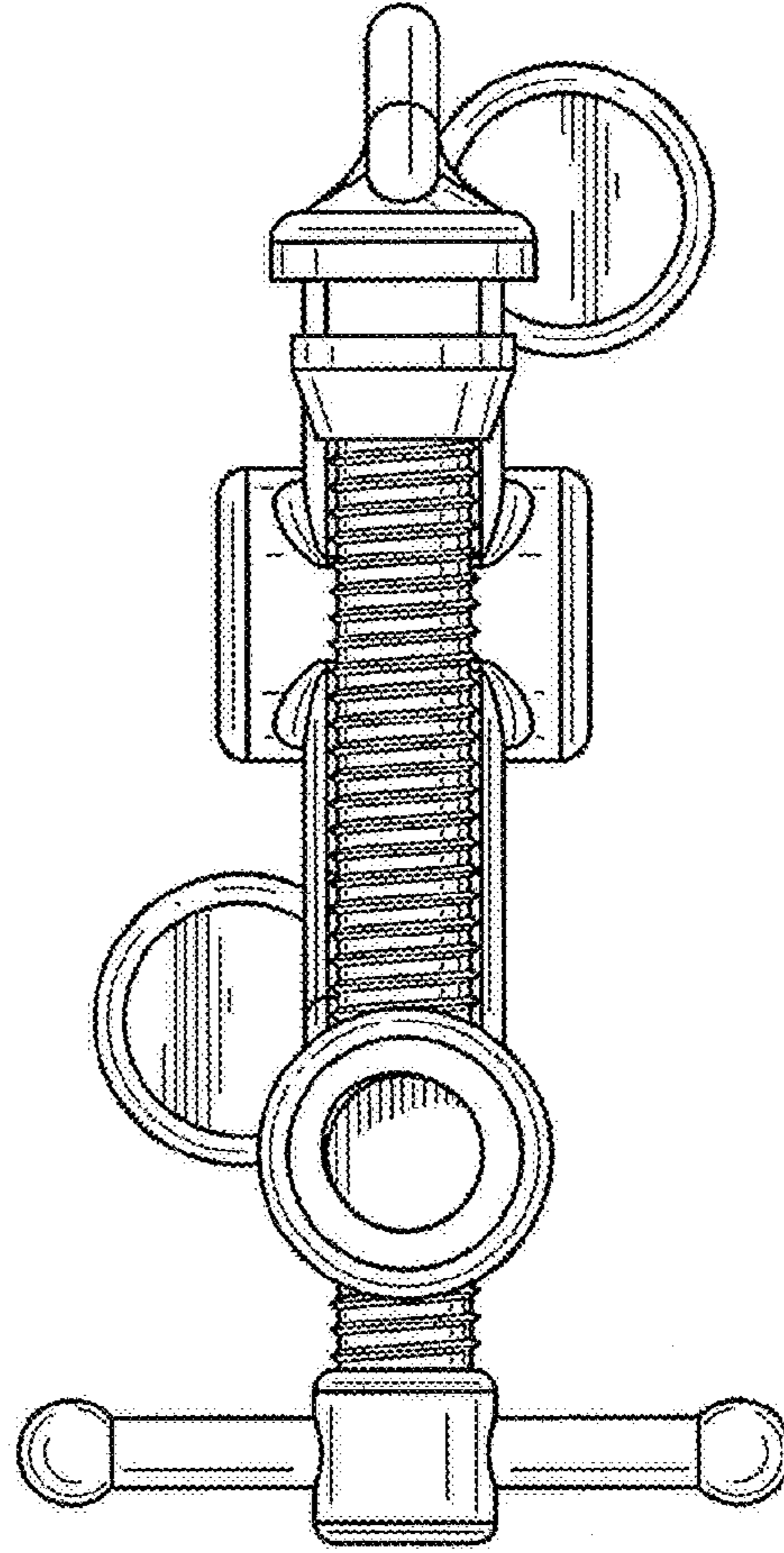


FIG. 9



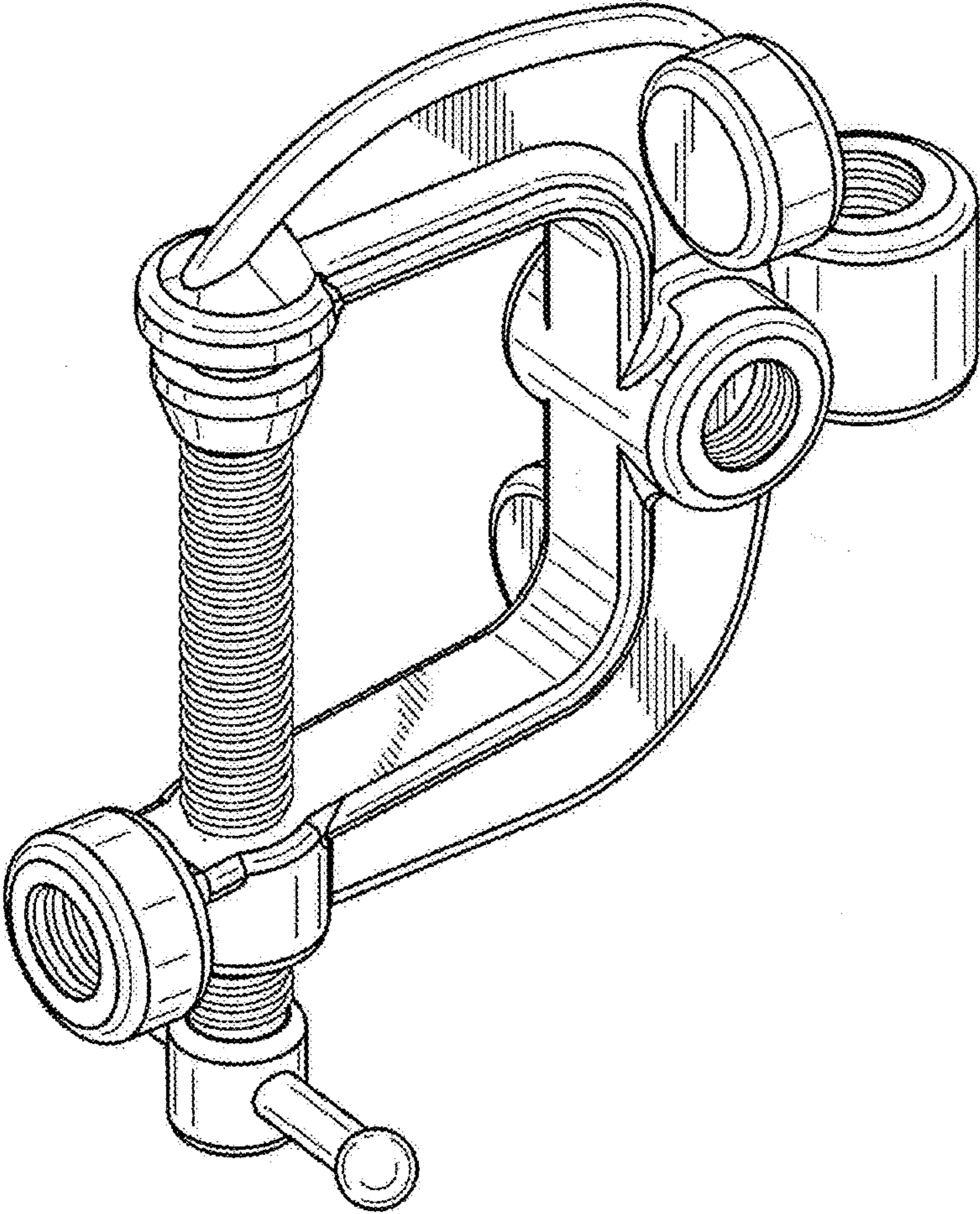


FIG. 10