



US00D750608S

(12) **United States Design Patent**
Kim et al.

(10) **Patent No.:** **US D750,608 S**
(45) **Date of Patent:** **** Mar. 1, 2016**

- (54) **CASE FOR MOBILE PHONE**
- (71) Applicant: **LG ELECTRONICS INC.**, Seoul (KR)
- (72) Inventors: **Young Ho Kim**, Seoul (KR); **Yoo Shin Ahn**, Seoul (KR)
- (73) Assignee: **LG ELECTRONICS INC.**, Seoul (KR)
- (**) Term: **14 Years**
- (21) Appl. No.: **29/479,236**
- (22) Filed: **Jan. 14, 2014**

(30) **Foreign Application Priority Data**

Aug. 27, 2013 (KR) 30-2013-0043941

(51) **LOC (10) Cl.** **14-03**

(52) **U.S. Cl.**
USPC **D14/250**

(58) **Field of Classification Search**

USPC D14/238.1, 250, 440, 203.3–203.7, 217,
D14/240, 248, 251–253, 447, 496, 144, 149,
D14/159, 172, 194, 204, 221, 224.1;
D3/201, 218, 247, 269, 273, 301, 303;
D13/103, 107–108, 119

CPC A45C 1/06; A45C 11/00; A45C 13/02;
A45C 2011/002; A45F 5/02; A45F 2005/026;
A45F 2200/0525; A45F 2200/0516; H04B
1/3888; H04M 1/0283; H04M 1/0202

See application file for complete search history.

(56) **References Cited**

U.S. PATENT DOCUMENTS

D641,348 S *	7/2011	Kim et al.	D14/250
D652,829 S *	1/2012	Kim et al.	D14/250
D657,354 S *	4/2012	Kim	D14/250
D674,799 S *	1/2013	Kim	D14/440
D674,800 S *	1/2013	Kim	D14/440

D678,260 S *	3/2013	Bau	D14/250
D685,799 S *	7/2013	Canizares et al.	D14/440
D685,800 S *	7/2013	Canizares et al.	D14/440
D685,801 S *	7/2013	Canizares et al.	D14/440
D685,802 S *	7/2013	Canizares et al.	D14/440
D708,172 S *	7/2014	Ryu et al.	D14/250
D714,280 S *	9/2014	Ahn et al.	D14/250
D716,286 S *	10/2014	Ahn et al.	D14/250
D721,693 S *	1/2015	Lee et al.	D14/250
D721,694 S *	1/2015	Lee et al.	D14/250
D723,020 S *	2/2015	Kim et al.	D14/250
D728,552 S *	5/2015	Kim et al.	D14/250
D728,553 S *	5/2015	Kim et al.	D14/250
2003/0150756 A1 *	8/2003	Kajiya	206/320
2008/0096620 A1 *	4/2008	Lee et al.	455/575.8
2012/0125809 A1 *	5/2012	Leung	206/736
2012/0244920 A1 *	9/2012	Lee	455/575.8
2013/0015088 A1 *	1/2013	Wu	206/320

* cited by examiner

Primary Examiner — Carla Jobe Wright

(74) *Attorney, Agent, or Firm* — Birch, Stewart, Kolasch & Birch, LLP

(57) **CLAIM**

We claim the ornamental design for a case for mobile phone, as shown and described.

DESCRIPTION

FIG. 1 is a perspective view of a case for mobile phone showing the new design;
FIG. 2 is a front elevation view thereof;
FIG. 3 is a rear elevation view thereof;
FIG. 4 is a left-side elevation view thereof;
FIG. 5 is a right-side elevation view thereof;
FIG. 6 is a top plan view thereof; and,
FIG. 7 is a bottom plan view thereof.

The dot-dash broken line is a boundary of the claimed design.
The dash-dash broken lines depict unclaimed environment.
The broken lines form no part of the claimed design.

1 Claim, 5 Drawing Sheets

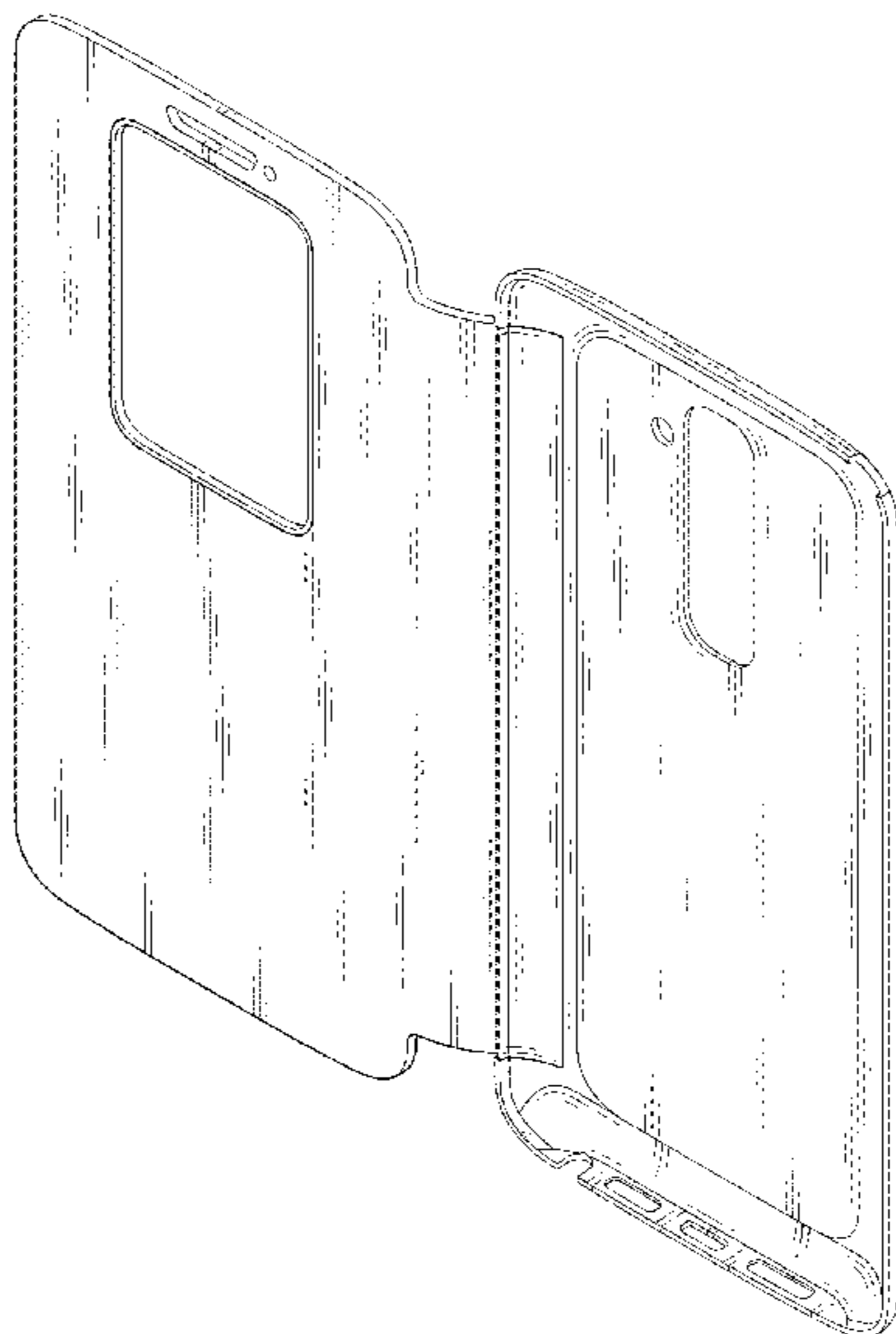


FIG. 1

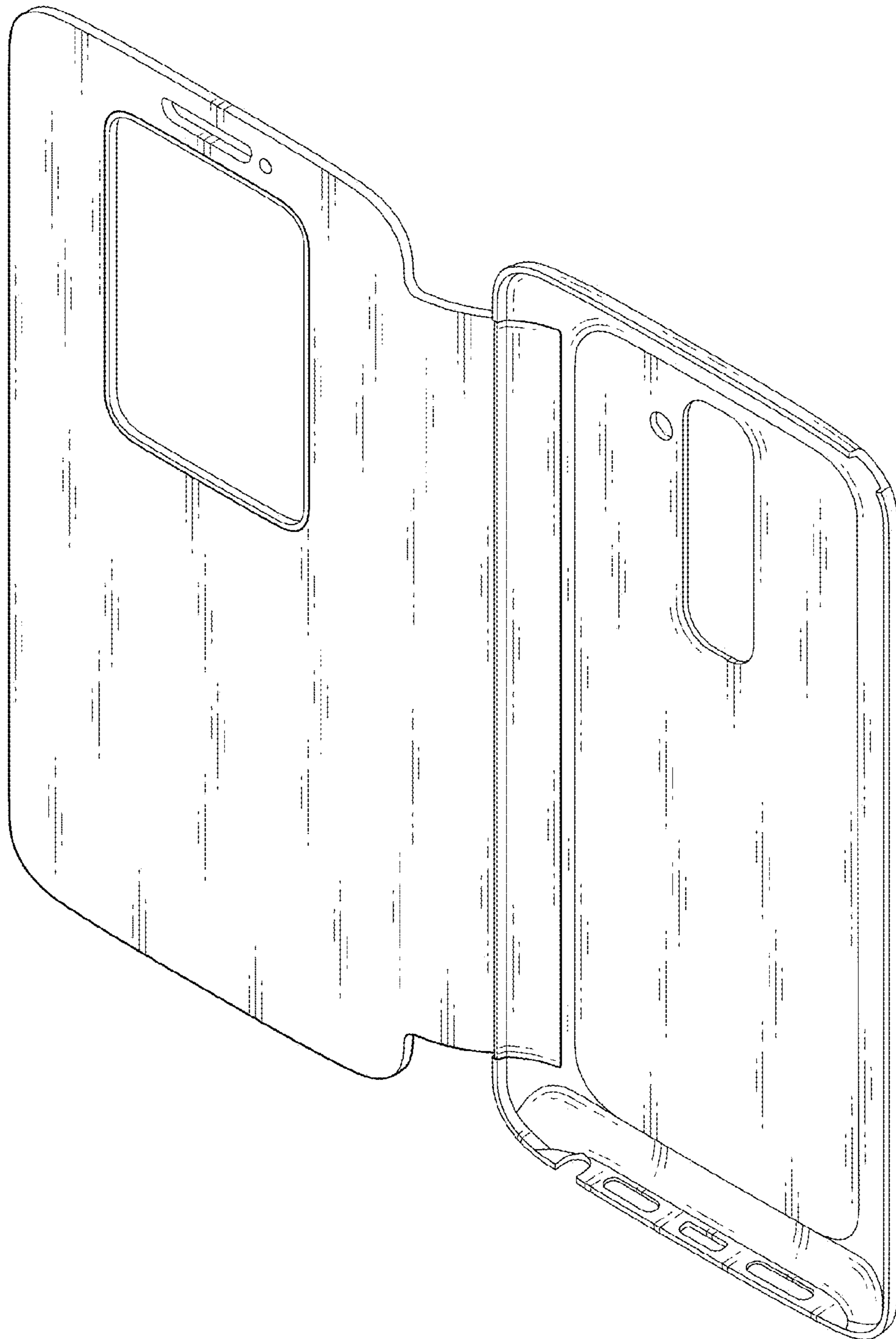


FIG. 2

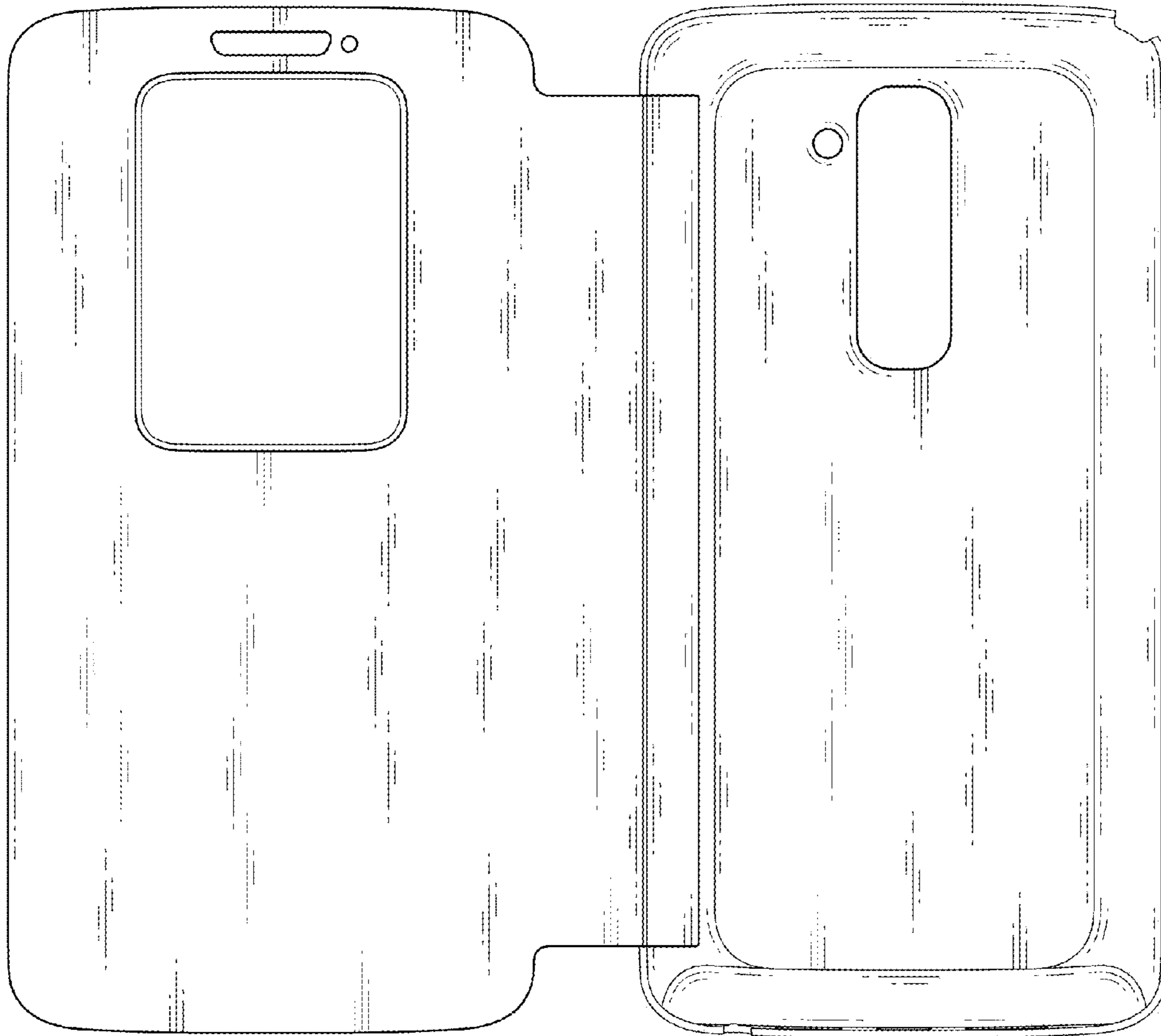


FIG. 3

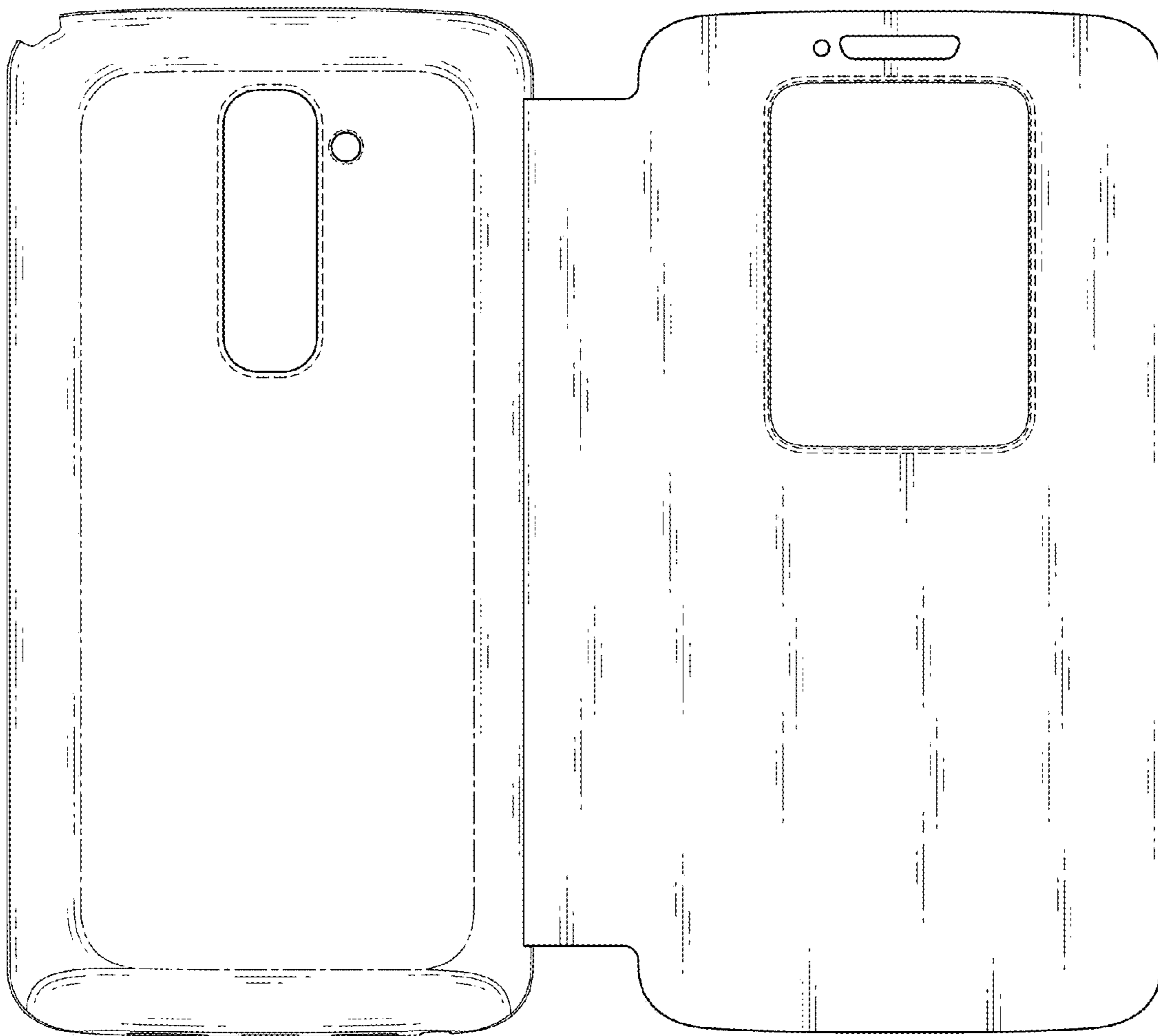


FIG. 4

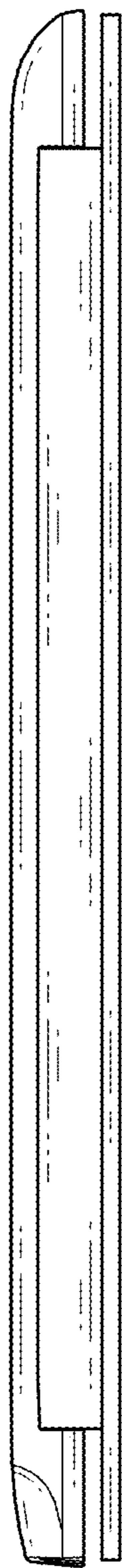


FIG. 5

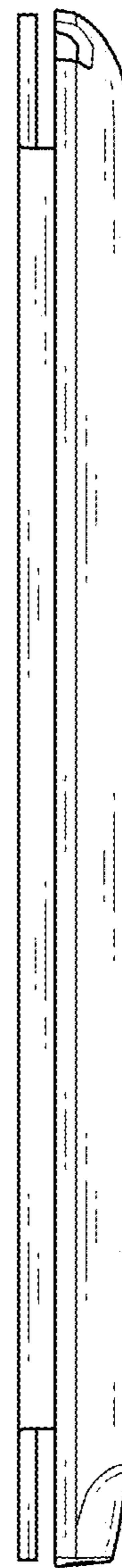


FIG.6



FIG.7

