

US00D750600S

(12) **United States Design Patent**
Crawford et al.

(10) **Patent No.:** **US D750,600 S**
(45) **Date of Patent:** **** Mar. 1, 2016**

- (54) **PAIR OF EARBUDS**
- (71) Applicant: **Peag, LLC**, Oceanside, CA (US)
- (72) Inventors: **Reed Patrick Crawford**, San Diego, CA (US); **Winthrop Cramer**, Carlsbad, CA (US)
- (73) Assignee: **Peag, LLC**, Oceanside, CA (US)
- (**) Term: **15 Years**
- (21) Appl. No.: **29/542,948**
- (22) Filed: **Oct. 19, 2015**

D469,755 S *	2/2003	Hlas	D14/223
D470,122 S *	2/2003	Hlas	D14/205
D470,123 S *	2/2003	Hlas	D14/205
D470,128 S *	2/2003	Hlas	D14/205
D494,568 S *	8/2004	Pan	D14/206
D505,132 S *	5/2005	Linville	D14/223
D588,111 S *	3/2009	Komiyama	D14/223
D604,273 S *	11/2009	Tamura	D14/223
D622,704 S *	8/2010	Fahrendorff	D14/223
D622,705 S *	8/2010	Fahrendorff	D14/223
D644,212 S *	8/2011	Quek	D14/223

(Continued)

Primary Examiner — Paula Greene

(74) Attorney, Agent, or Firm — LambentIP

Related U.S. Application Data

- (62) Division of application No. 29/508,722, filed on Nov. 10, 2014, now Pat. No. Des. 743,948.
- (51) **LOC (10) Cl.** **14-01**
- (52) **U.S. Cl.**
USPC **D14/223**
- (58) **Field of Classification Search**
USPC D14/205, 223; D24/174; 181/129, 130, 181/135; 379/430, 431; 381/380, 381, 338, 381/328, 372; 455/90.3, 575.1
CPC H04R 1/105
See application file for complete search history.

References Cited

U.S. PATENT DOCUMENTS

D177,346 S *	4/1956	Norris	D14/192
D246,259 S *	11/1977	Nishimura	D14/205
D255,160 S *	5/1980	Gray	D28/46
5,420,935 A *	5/1995	Shinohara	H04R 1/1016 379/431
D388,093 S *	12/1997	Fregley	D14/223
D391,576 S *	3/1998	Mullin	D14/223
D402,661 S *	12/1998	Hayashi	D14/223

(57) **CLAIM**

The ornamental design for a pair of earbuds, as shown and described.

DESCRIPTION

FIG. 1 is a perspective view of the left and right earbuds of a pair of earbuds showing, our design.

FIG. 2 is a front view of the right earbud, the front view of the left earbud being a mirror image thereof.

FIG. 3 is a rear view of the right earbud, the rear view of the left earbud being a mirror image thereof.

FIG. 4 is a right side view of the right earbud, the left side view of the left earbud being, a mirror image thereof.

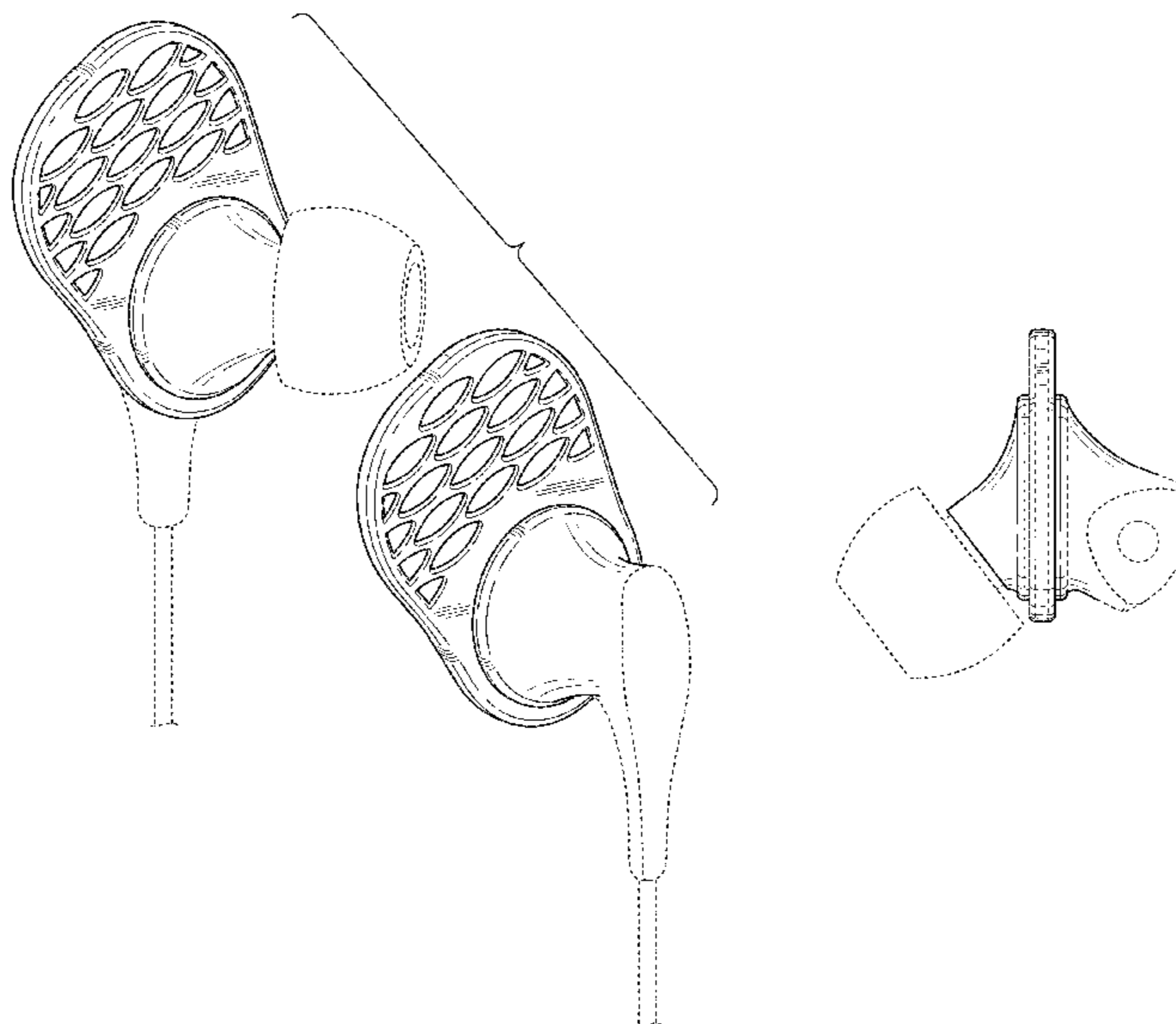
FIG. 5 is a left side view of the right earbud, the right side view of the left earbud being a mirror image thereof.

FIG. 6 is a top view of the right earbud, the top view of the left earbud being a mirror image thereof; and,

FIG. 7 is a bottom view of the right earbud, the bottom view of the left earbud being, a mirror image thereof.

The broken lines showing the environment in FIGS. 1-7 are included for illustrative purposes only and form no part of the claimed design.

1 Claim, 4 Drawing Sheets



US D750,600 S

Page 2

(56)

References Cited

U.S. PATENT DOCUMENTS

D670,271 S *	11/2012	Tzeng	D14/216	D687,021 S	7/2013	Yuen	
8,406,448 B2 *	3/2013	Lin	H04R 1/1091	D689,471 S	9/2013	Hardi et al.	
			381/332	8,897,480 B2 *	11/2014	Tan	H04R 1/105
D684,952 S *	6/2013	Iijima	D14/223				381/370
				D725,636 S *	3/2015	McNamara	D14/205
				D743,948 S *	11/2015	Crawford	D14/205

* cited by examiner

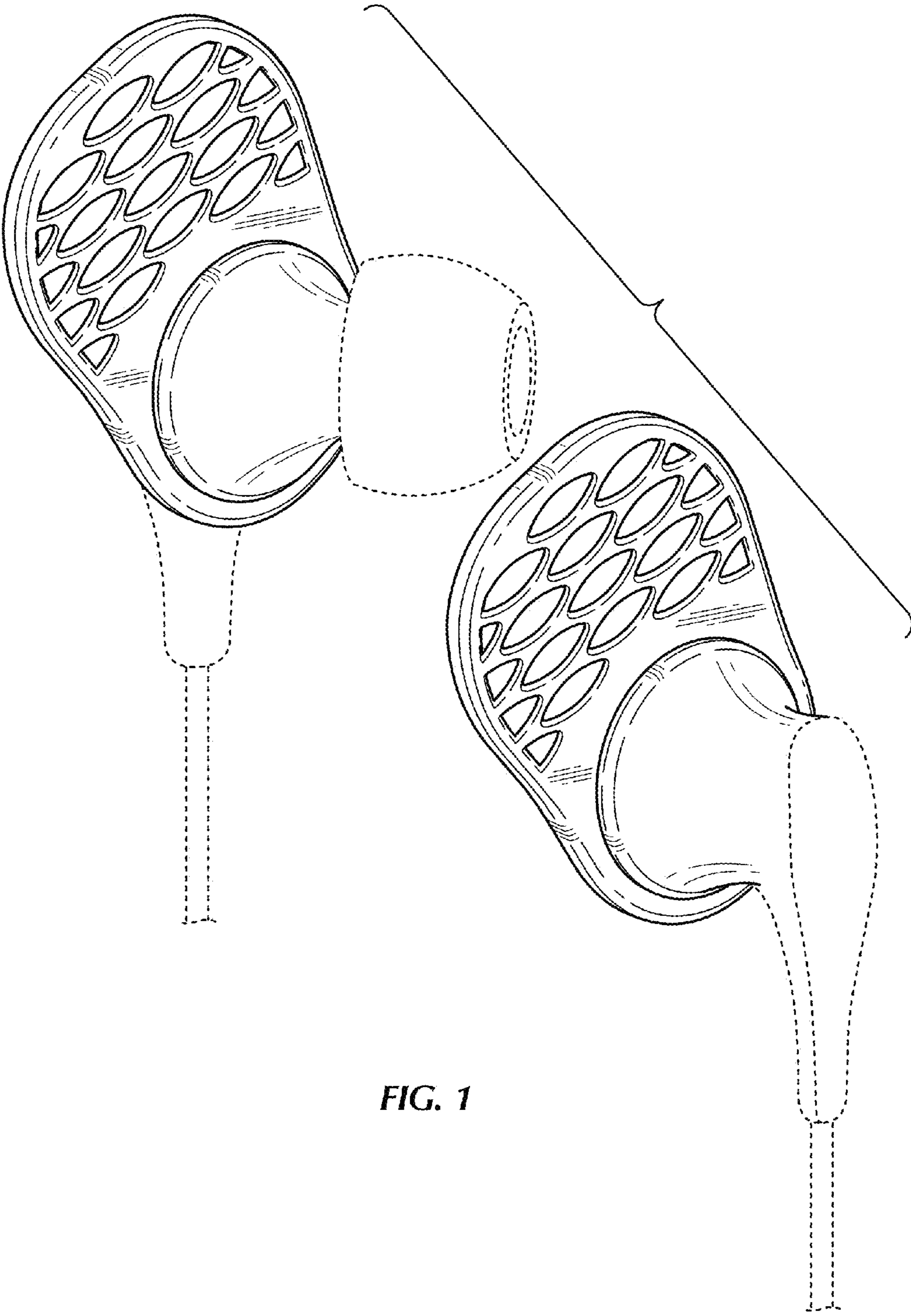


FIG. 1

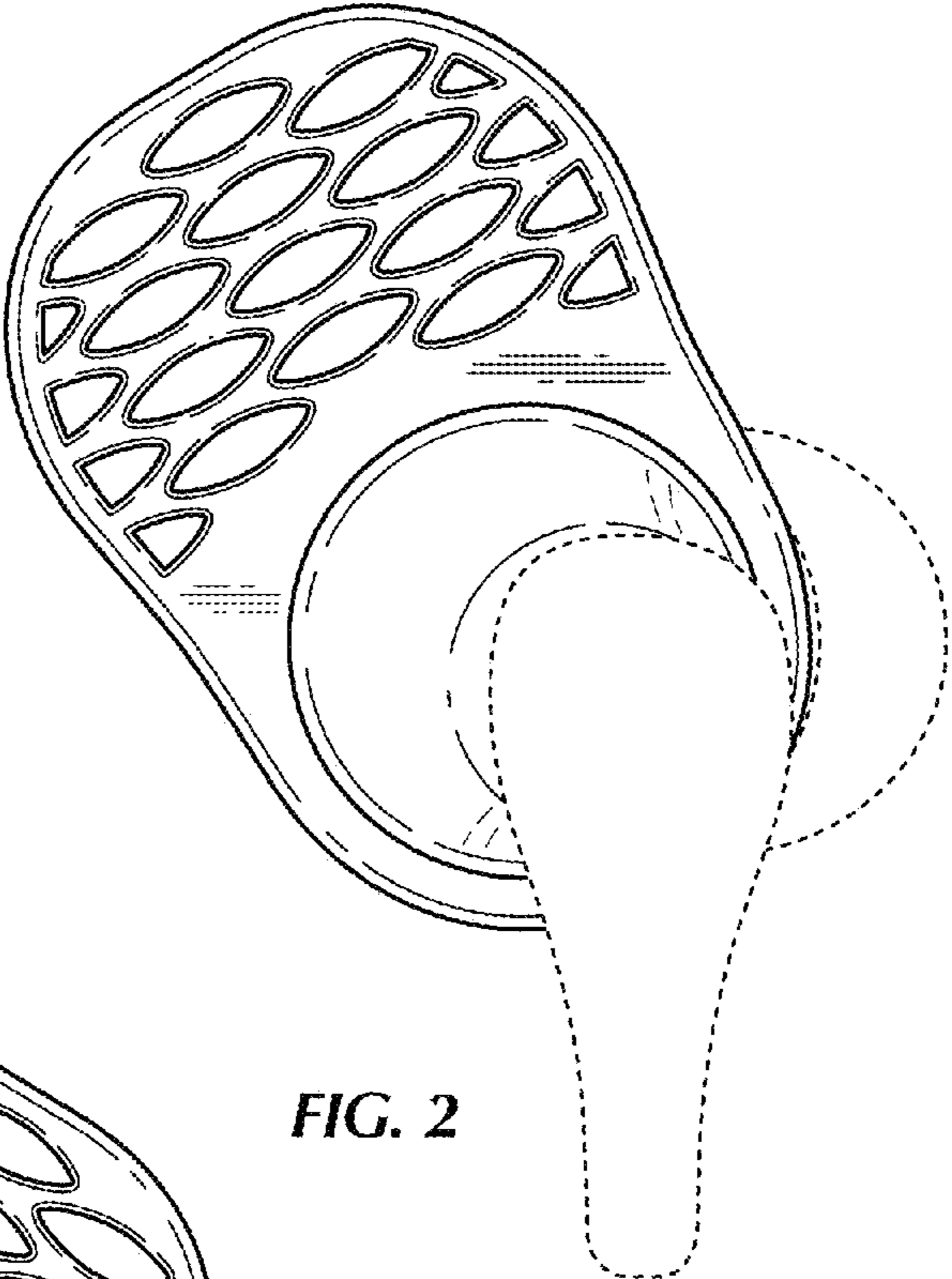


FIG. 2

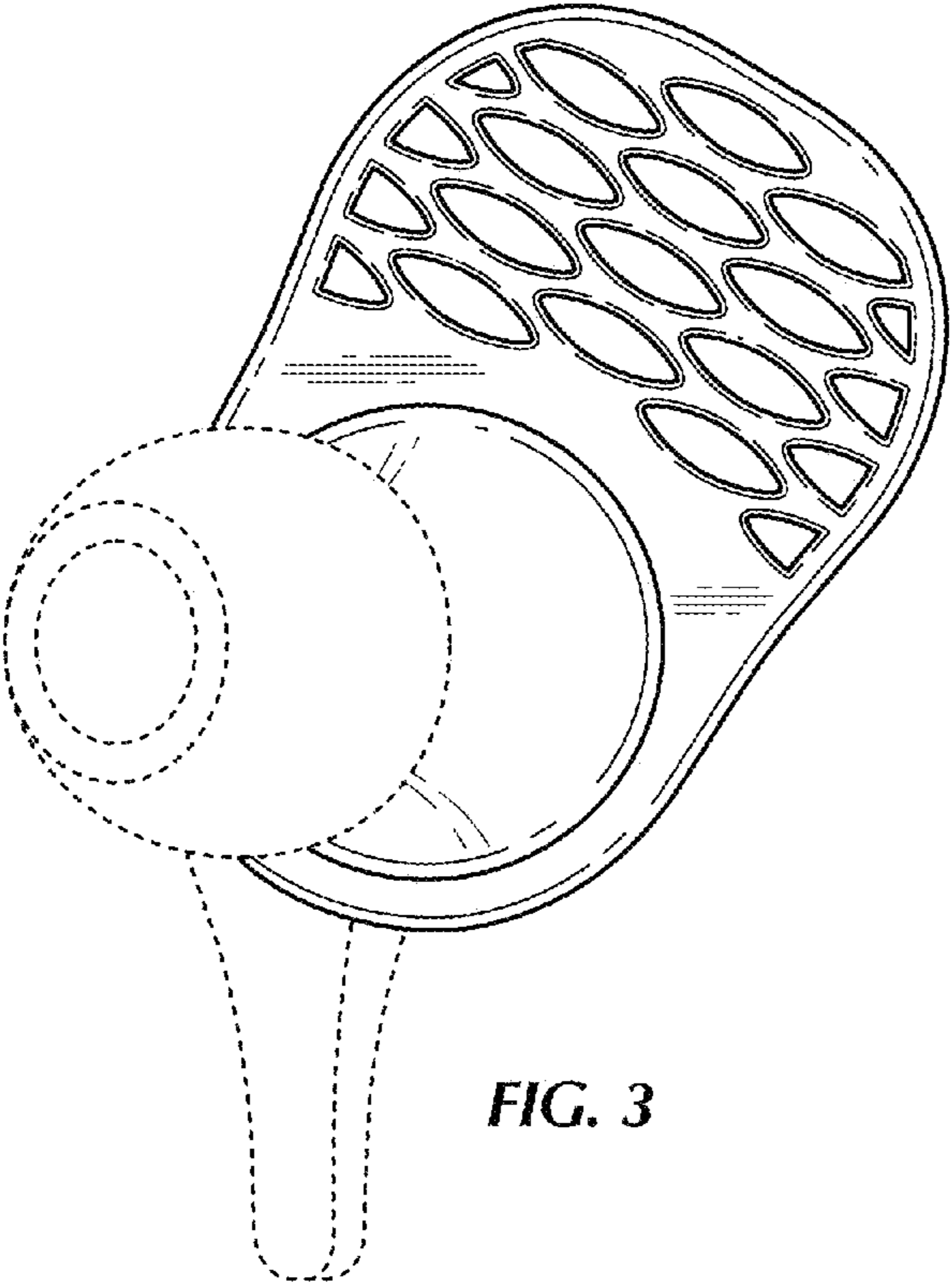


FIG. 3

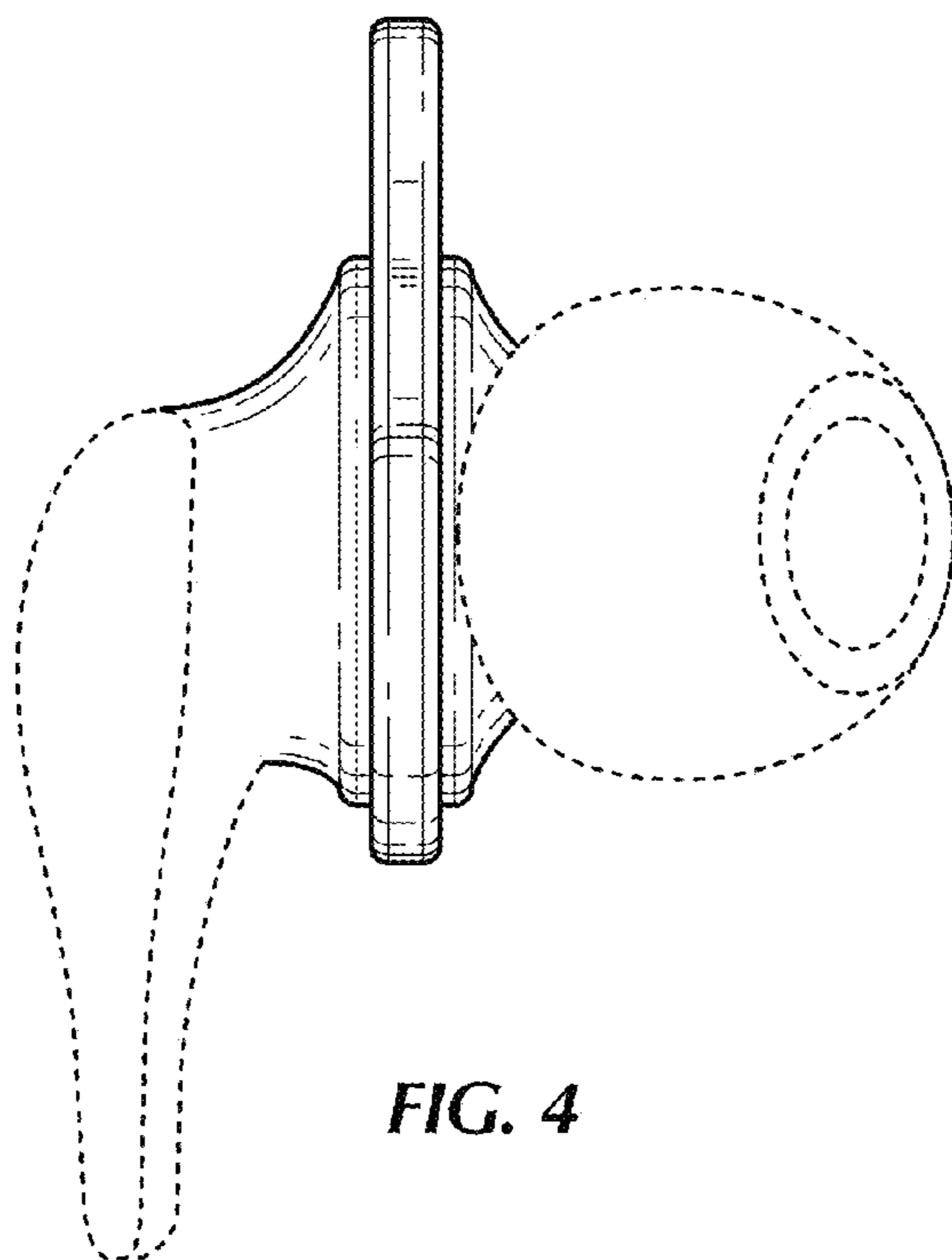


FIG. 4

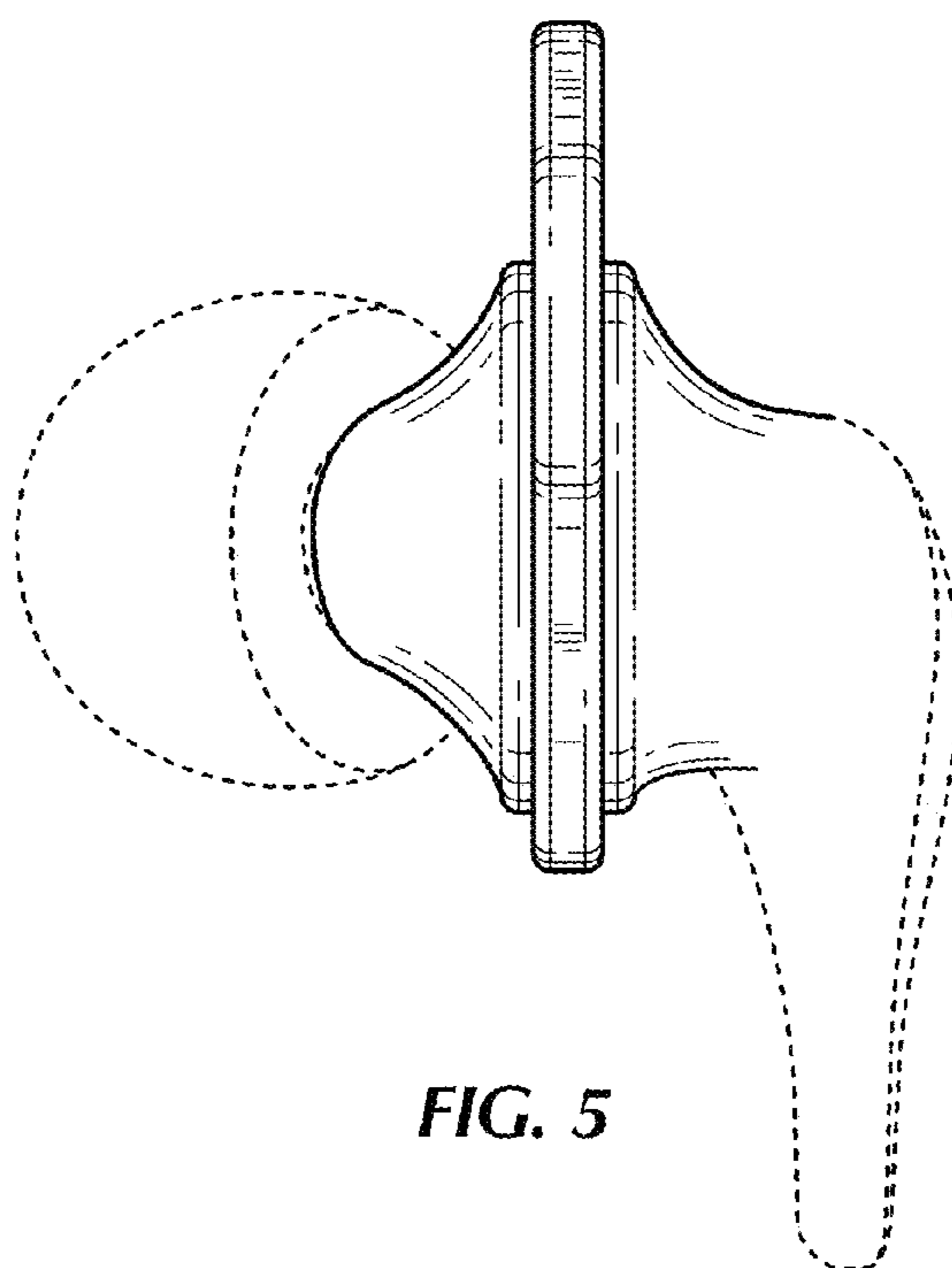


FIG. 5

