



US00D750598S

(12) **United States Design Patent**  
**Alexander**

(10) **Patent No.:** **US D750,598 S**  
(45) **Date of Patent:** **\*\* Mar. 1, 2016**

(54) **DEVICE DOCK**

(71) Applicant: **John L. Alexander**, Franklin, TN (US)  
(72) Inventor: **John L. Alexander**, Franklin, TN (US)  
(73) Assignee: **Griffin Technology, Inc.**, Nashville, TN (US)  
(\*\*) Term: **14 Years**

(21) Appl. No.: **29/509,678**  
(22) Filed: **Nov. 20, 2014**  
(51) **LOC (10) Cl.** ..... **14-03**  
(52) **U.S. Cl.**  
USPC ..... **D14/217**  
(58) **Field of Classification Search**  
USPC ..... D14/217, 257, 258, 434, 496, 162, 167,  
D14/175, 188, 196-198  
CPC ..... G06F 1/1626; G06F 1/1688; G10H 1/46;  
G10H 1/0008; G10H 1/0025; G10H 3/186;  
G10H 2210/125; G10H 2240/131; G10H  
2240/175; G10H 2250/035; G10L 19/008;  
G10L 19/167; H03G 3/00; H03G 3/04;  
H03G 3/3005; H03G 3/3089; H03G 5/00;  
H03G 5/005; H03G 5/025; H03G 9/18;  
G11B 19/02; G11B 20/10527; G11B 27/00;  
G11B 27/34; G11B 27/031; G11B 27/034;  
G11B 27/038; G11B 27/105; G11B 33/025;  
H04H 3/186; H04H 60/04; H04H 60/05;  
H04H 60/91; H04R 3/00; H04R 3/005;  
H04R 5/04; H04R 2205/021; H04R 2499/11  
See application file for complete search history.

(56) **References Cited**

U.S. PATENT DOCUMENTS

D444,460 S *	7/2001	Kitazawa .....	D14/217
D578,513 S *	10/2008	Mazur .....	D14/168
D591,720 S *	5/2009	Motoishi .....	D14/168
D677,247 S *	3/2013	Iijima .....	D14/217
D691,588 S *	10/2013	Plattard .....	D14/217
D723,005 S *	2/2015	Ohashi .....	D13/163

\* cited by examiner

*Primary Examiner* — Daniel Bui  
*Assistant Examiner* — Khawaja Anwar  
(74) *Attorney, Agent, or Firm* — Hornkohl Intellectual Property Law PLLC; Jason L. Hornkohl

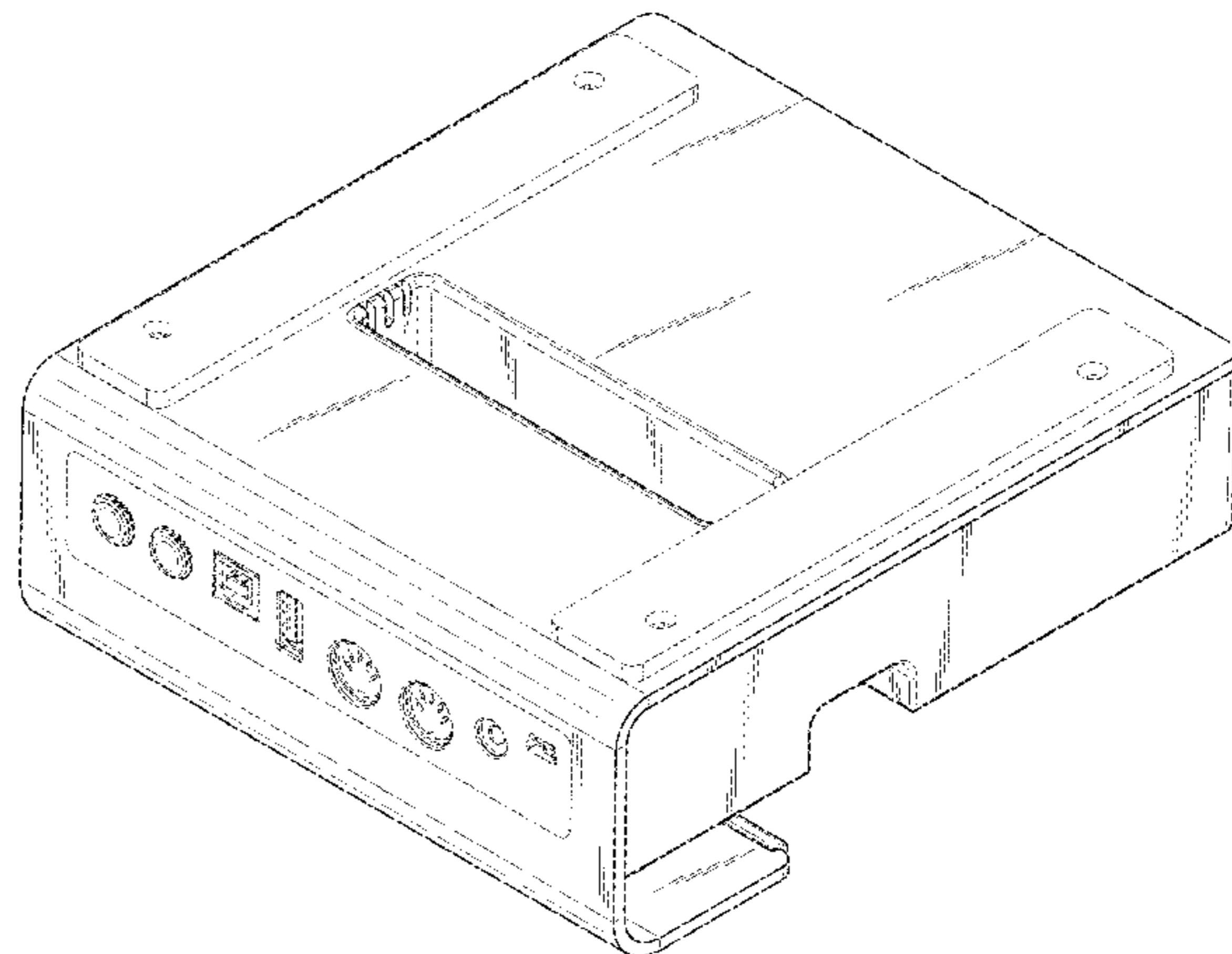
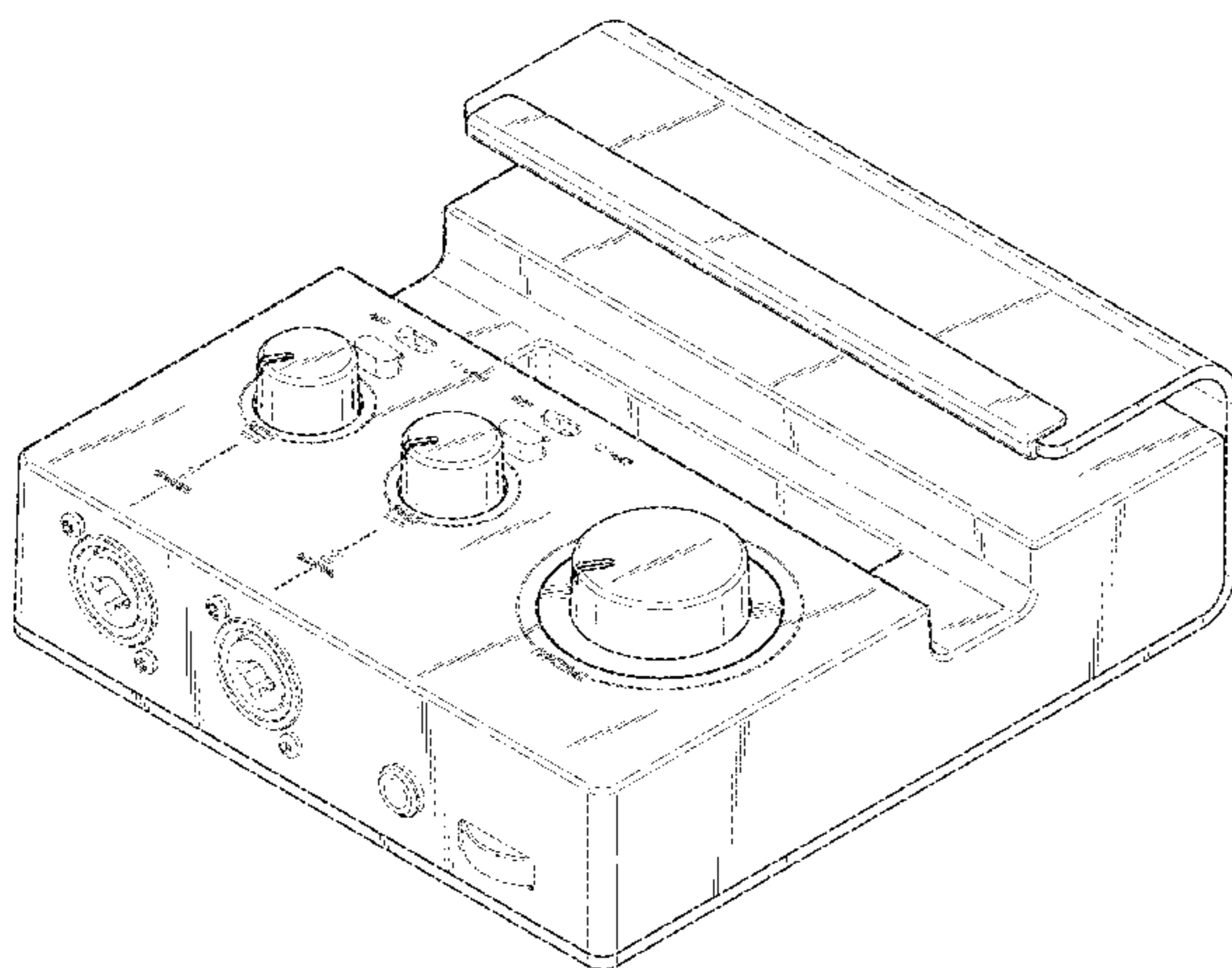
(57) **CLAIM**

The ornamental design for a device dock, as shown and described.

**DESCRIPTION**

FIG. 1 is a top, front perspective view of a device dock showing my new design;  
FIG. 2 is a bottom perspective view thereof;  
FIG. 3 is a top plan view thereof;  
FIG. 4 is a front elevation view thereof;  
FIG. 5 is a left side elevation view thereof;  
FIG. 6 is a right side elevation view thereof;  
FIG. 7 is a back elevation view thereof; and,  
FIG. 8 is a bottom plan view thereof.  
The broken line in the figure drawings represents unclaimed environment only and forms no part of the claimed design.

**1 Claim, 6 Drawing Sheets**



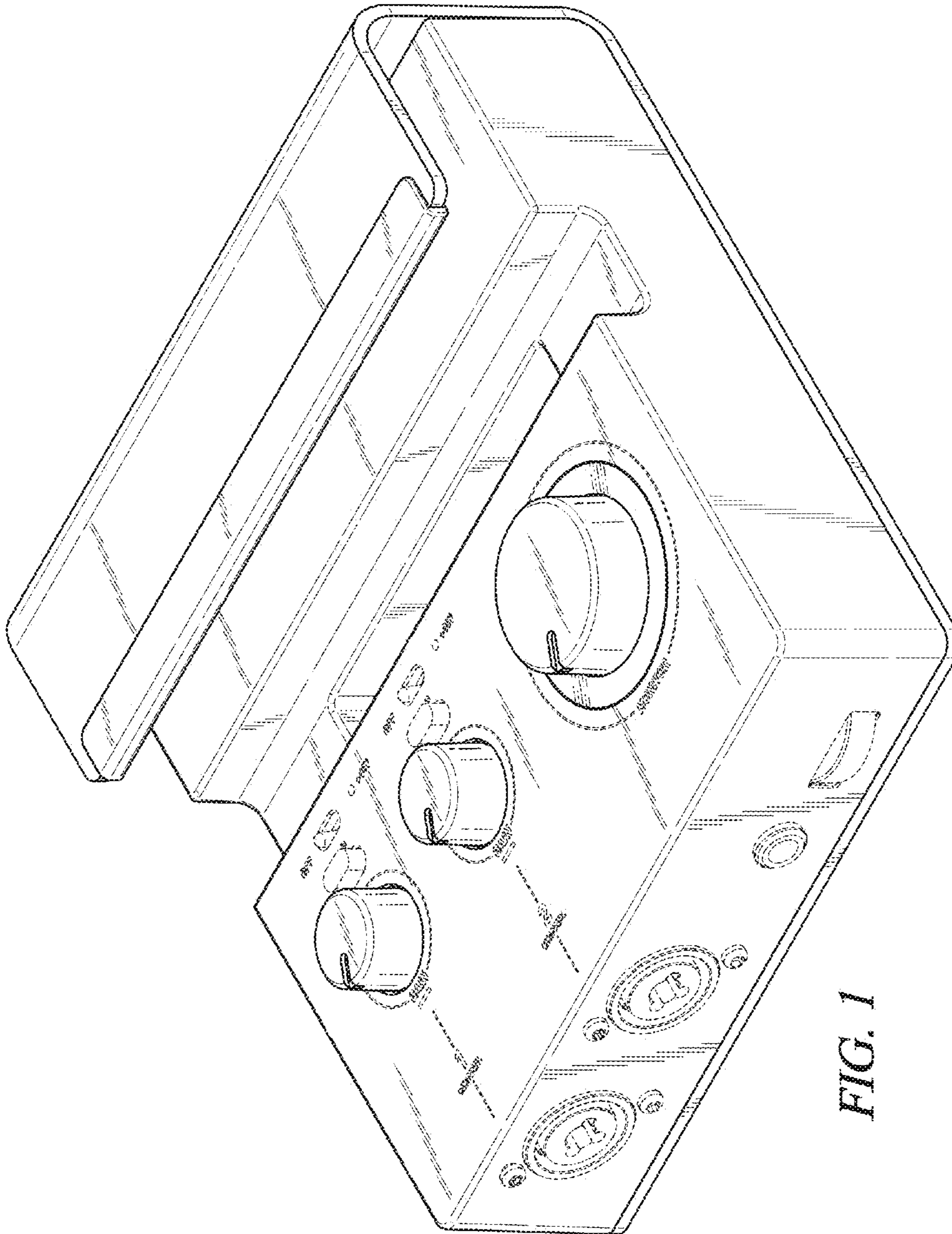


FIG. 1

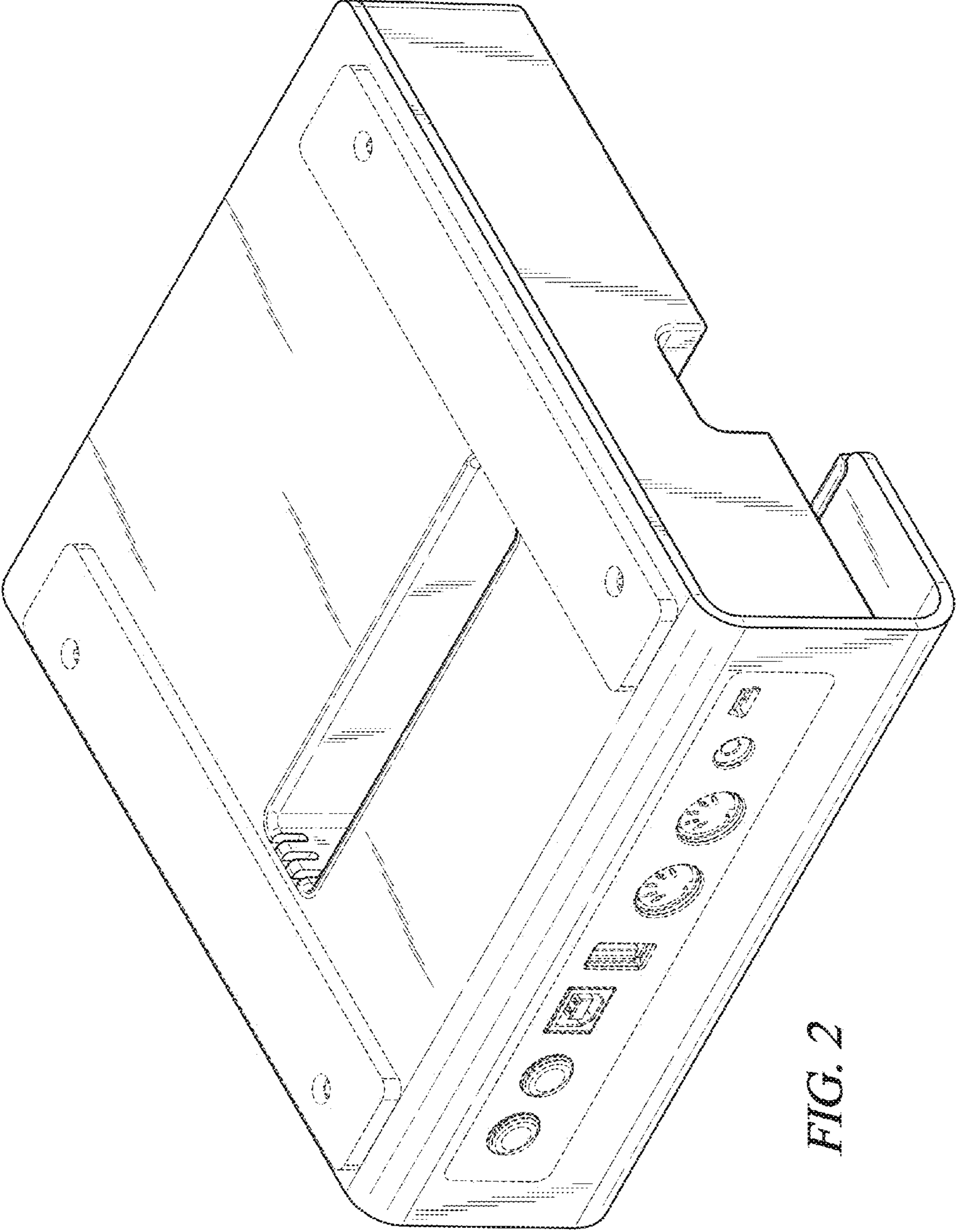


FIG. 2



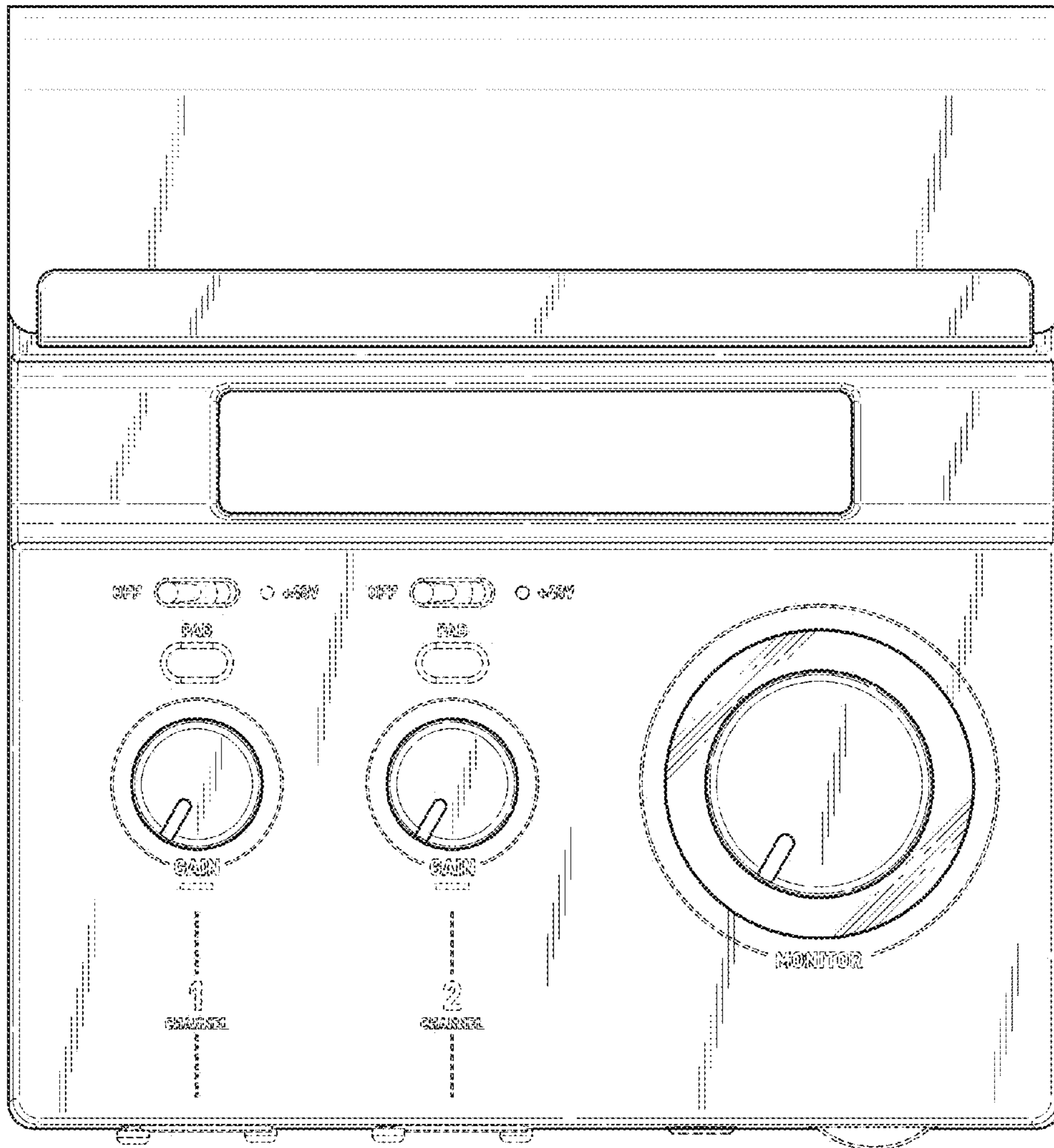
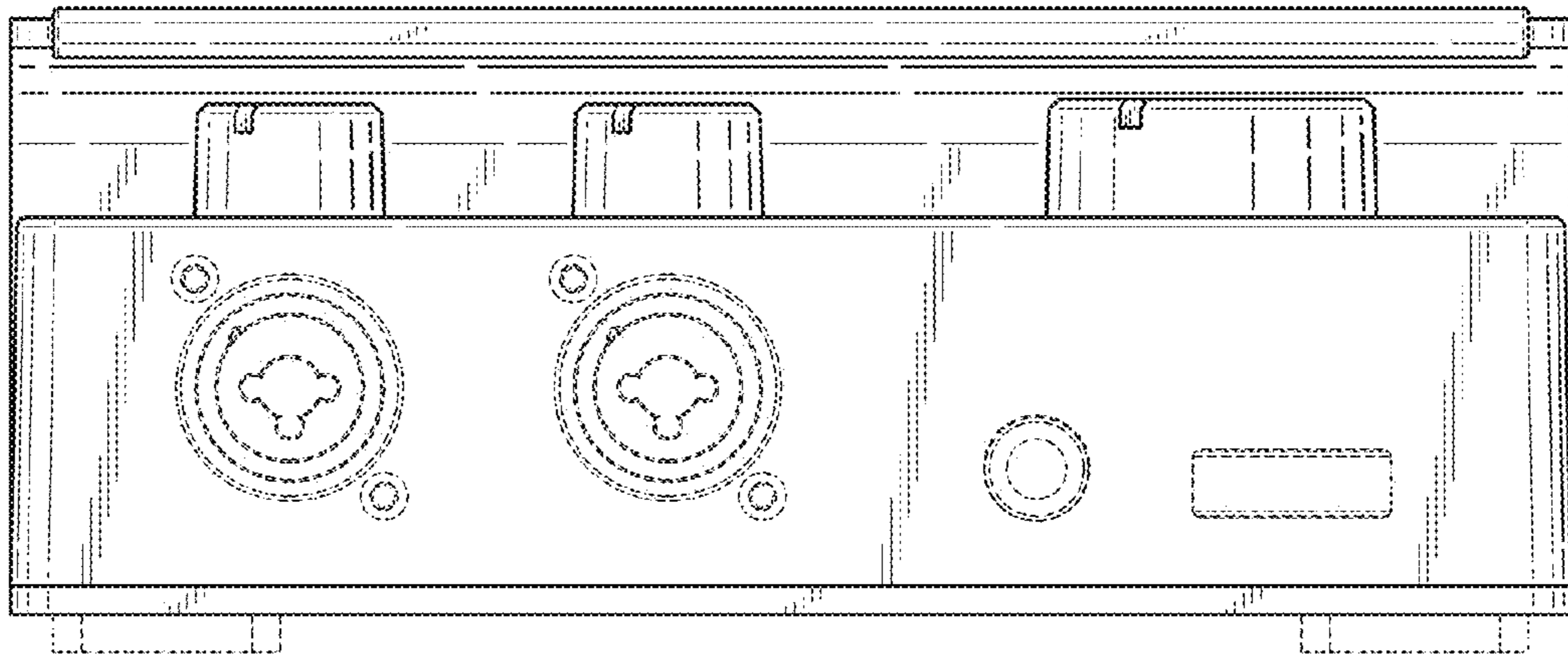


FIG. 3



*FIG. 4*

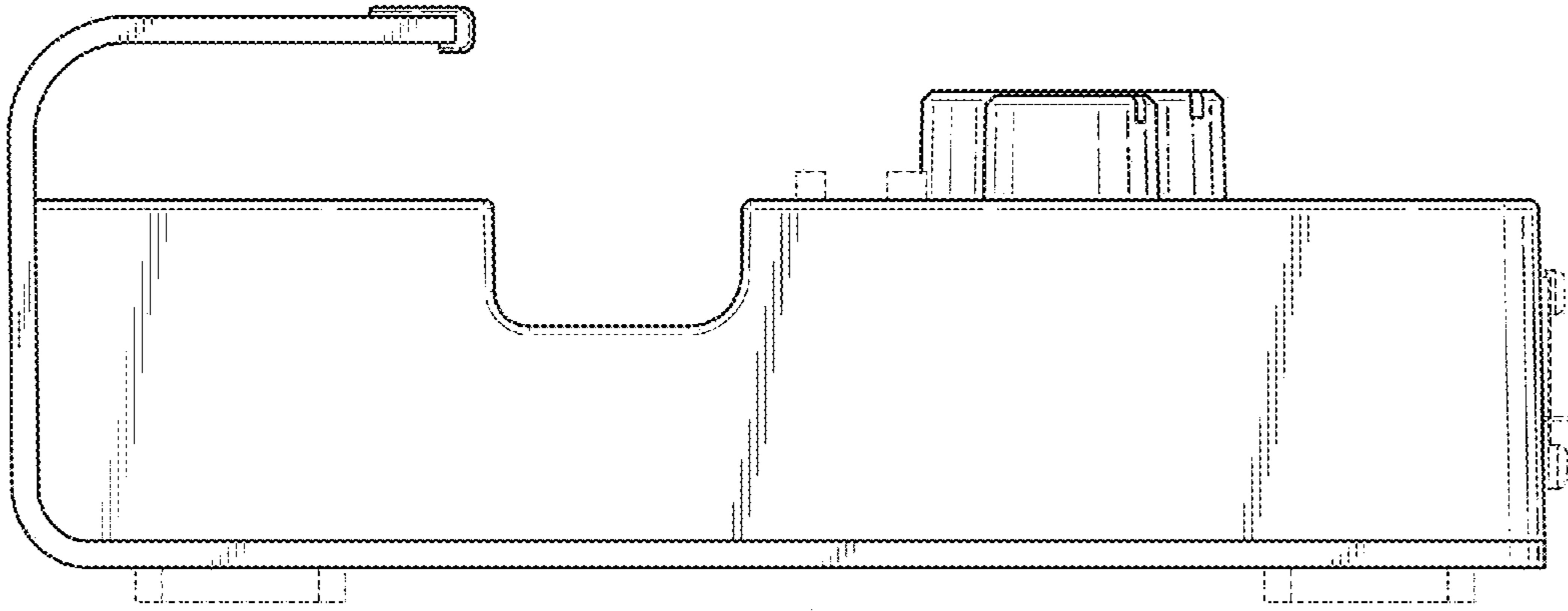


FIG. 5

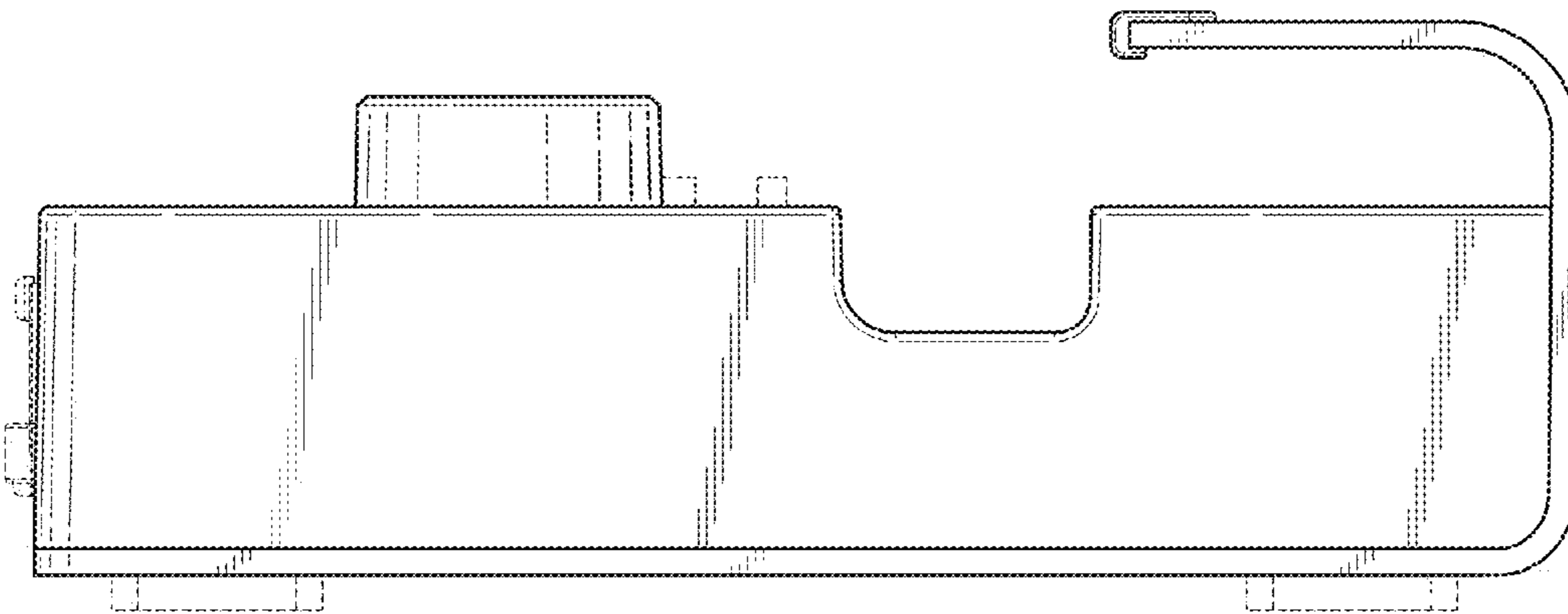


FIG. 6

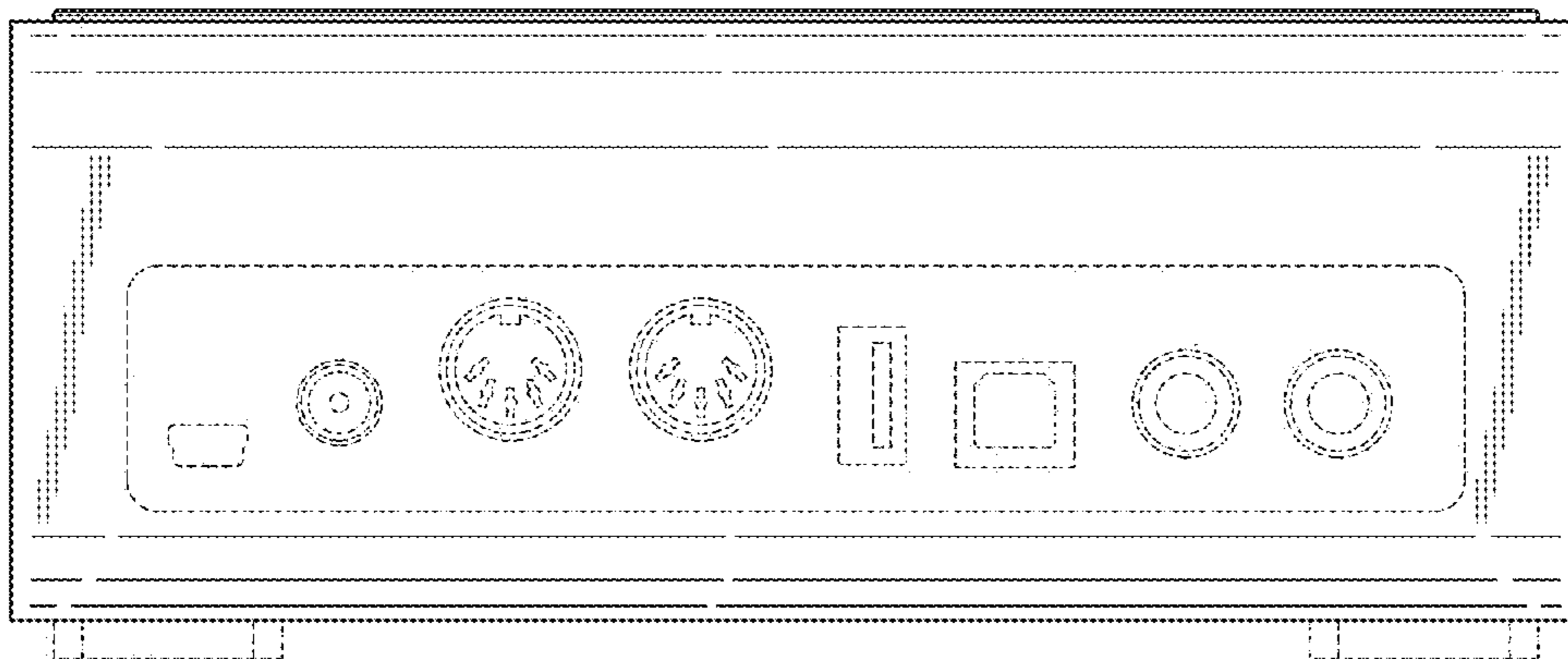


FIG. 7

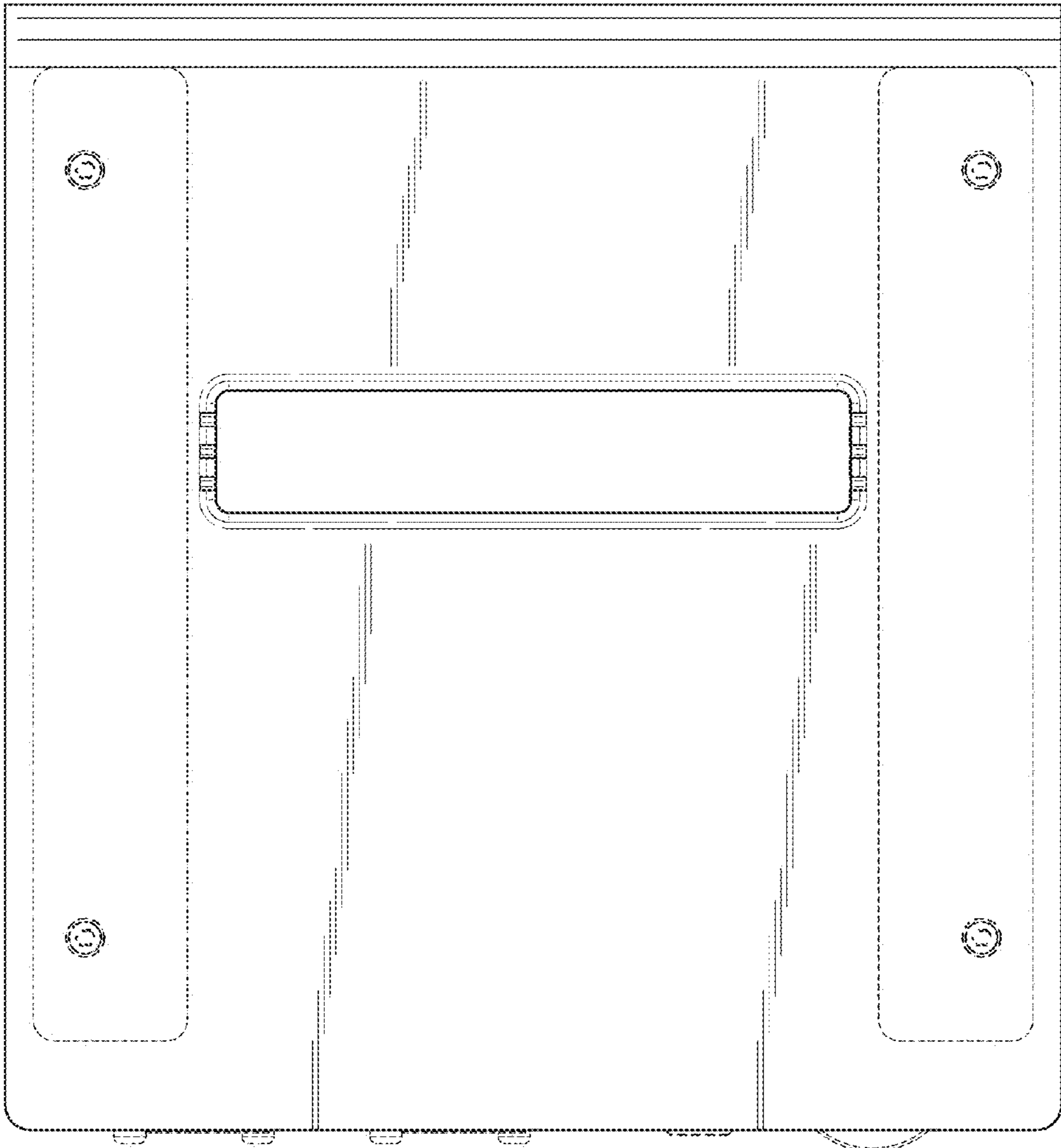


FIG. 8