



US00D750597S

(12) **United States Design Patent**
Fischer et al.

(10) **Patent No.:** **US D750,597 S**
(45) **Date of Patent:** **** Mar. 1, 2016**

- (54) **LOUDSPEAKER**
- (71) Applicant: **Harman International Industries, Incorporated**, Northridge, CA (US)
- (72) Inventors: **Joshua Fischer**, Shenzhen (CN);
Fenonson Zafimahova, Shenzhen (CN)
- (73) Assignee: **Harman International Industries, Incorporated**, Northridge, CA (US)
- (**) Term: **14 Years**
- (21) Appl. No.: **29/513,588**
- (22) Filed: **Jan. 2, 2015**
- (51) **LOC (10) Cl.** **14-03**
- (52) **U.S. Cl.**
USPC **D14/216**
- (58) **Field of Classification Search**
USPC D14/167, 168, 170–172, 188, 194–196,
D14/204, 207, 209.1, 210–216, 219, 221,
D14/222, 224, 496; 181/143, 144, 147, 148,
181/150, 153, 157, 198, 199; 381/300–303,
381/306, 332, 333, 336, 345, 361–364,
381/386–388; 369/6–12
CPC B60R 11/0217; G06F 1/1688; H04M 1/03;
H04M 1/035; H04R 1/02; H04R 1/06; H04R
1/021; H04R 1/025; H04R 1/026; H04R
1/028; H04R 1/105; H04R 1/323; H04R
1/403; H04R 1/2803; H04R 1/2834; H04R
5/02; H04R 7/20; H04R 9/06; H04R 9/025;
H04R 2201/021; H04R 2400/00; H04R
2400/07; H04R 2499/11; H04R 2499/13;
H04R 2499/15; H04S 3/00; H04S 7/30
See application file for complete search history.

- (56) **References Cited**
U.S. PATENT DOCUMENTS
D223,580 S * 5/1972 Richards D14/215
D258,444 S 3/1981 Mineshima
D355,663 S 2/1995 Van Cort

- D378,095 S 2/1997 Hasegawa
- D505,941 S 6/2005 Hirano
- D555,636 S 11/2007 Chen et al.
- D571,359 S 6/2008 Chang
- D598,899 S 8/2009 Tkachuk
- D606,043 S 12/2009 Lin
- D611,450 S 3/2010 Miyazaki
- D644,206 S 8/2011 Ponnert
- D669,108 S 10/2012 Macyama
- D676,418 S * 2/2013 Suzuki D14/209.1
(Continued)

OTHER PUBLICATIONS

Design U.S. Appl. No. 29/516,937, filed Feb. 6, 2015.
(Continued)

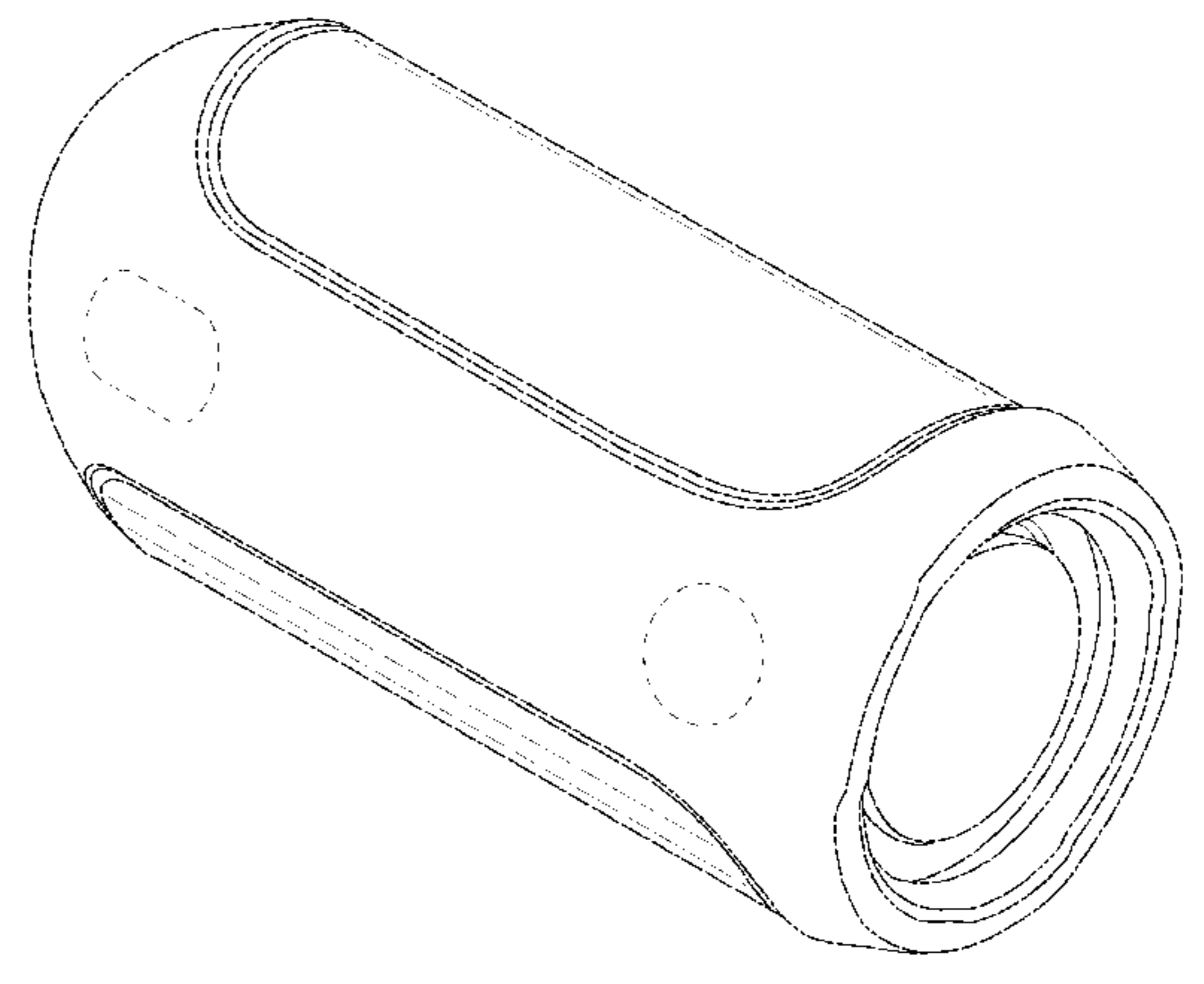
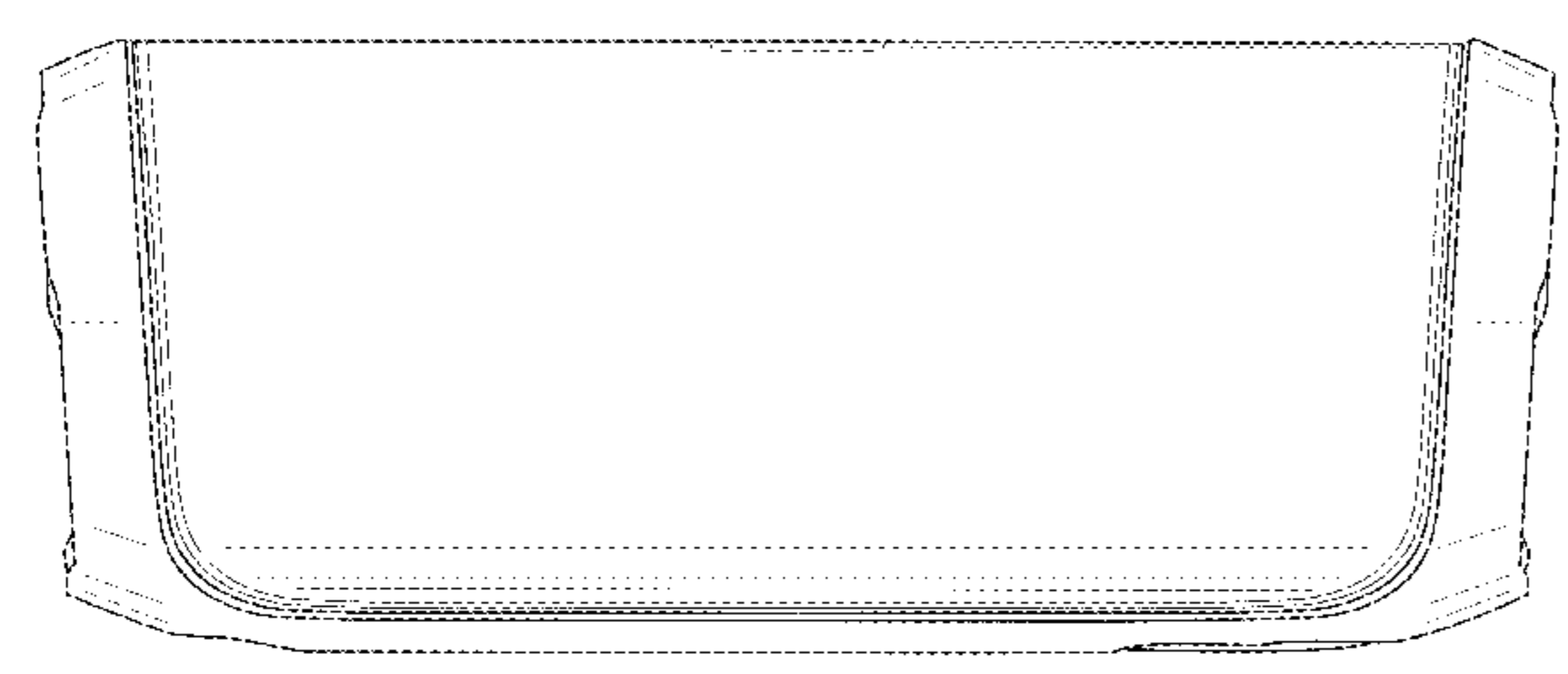
Primary Examiner — Keli L Hill
(74) *Attorney, Agent, or Firm* — Plumsea Law Group, LLC

(57) **CLAIM**
The ornamental design for a loudspeaker, as shown and described.

DESCRIPTION

FIG. 1 is a front elevational view of a loudspeaker showing my new design;
FIG. 2 is a top plan view thereof;
FIG. 3 is a bottom plan view thereof;
FIG. 4 is a rear elevational view thereof;
FIG. 5 is an end elevational view thereof viewed from the left side of FIG. 1;
FIG. 6 is an end elevational view thereof viewed from the right side of FIG. 1;
FIG. 7 is a perspective view thereof shown rotated into an operating position from the position depicted in FIGS. 1-6; and,
FIG. 8 is a rear perspective view thereof.
The broken lines shown are included for the purpose of illustrating portions of the loudspeaker that form no part of the claim.

1 Claim, 8 Drawing Sheets



US D750,597 S

Page 2

(56)

References Cited

U.S. PATENT DOCUMENTS

D690,281 S * 9/2013 Carr D14/204
D706,743 S * 6/2014 Lukic D14/204
D718,279 S 11/2014 Yoon
8,971,560 B2 3/2015 Lyons et al.

D726,684 S 4/2015 Schmiedbauer
D726,686 S * 4/2015 Yoon D14/216

OTHER PUBLICATIONS

Design U.S. Appl. No. 29/518,224, filed Feb. 20, 2015.

* cited by examiner

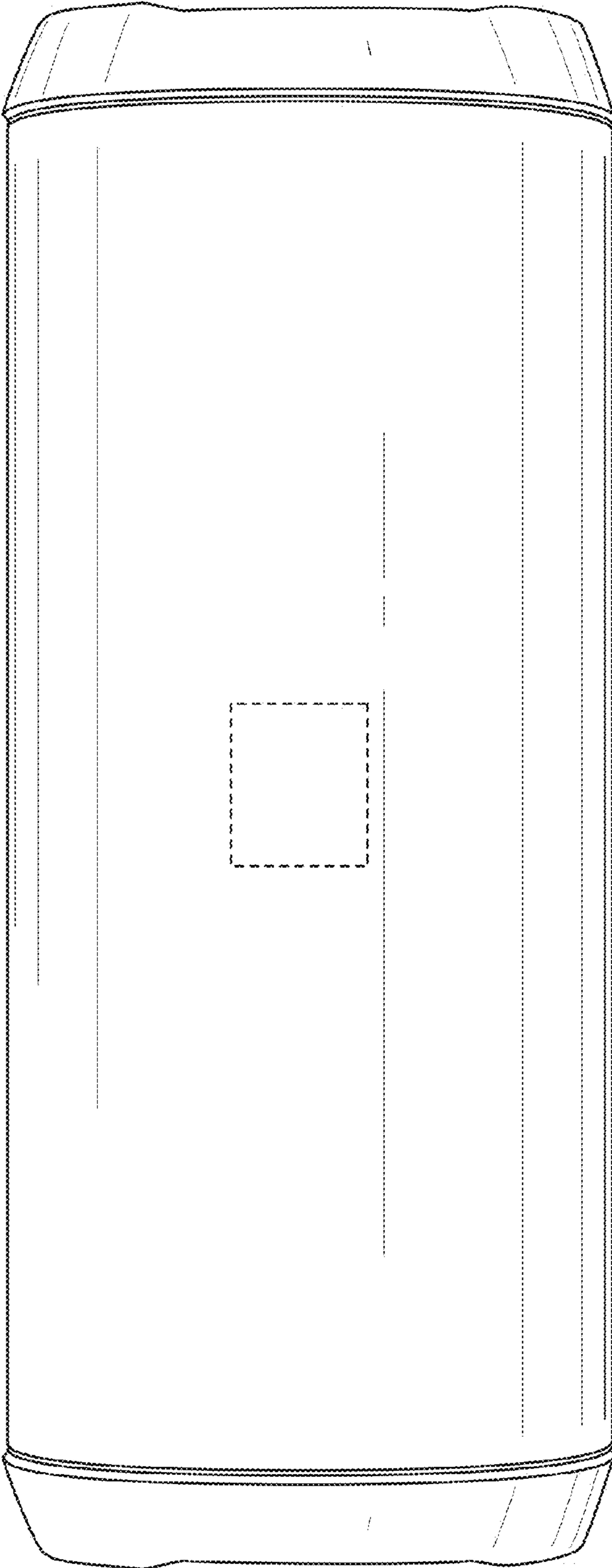


Fig. 1

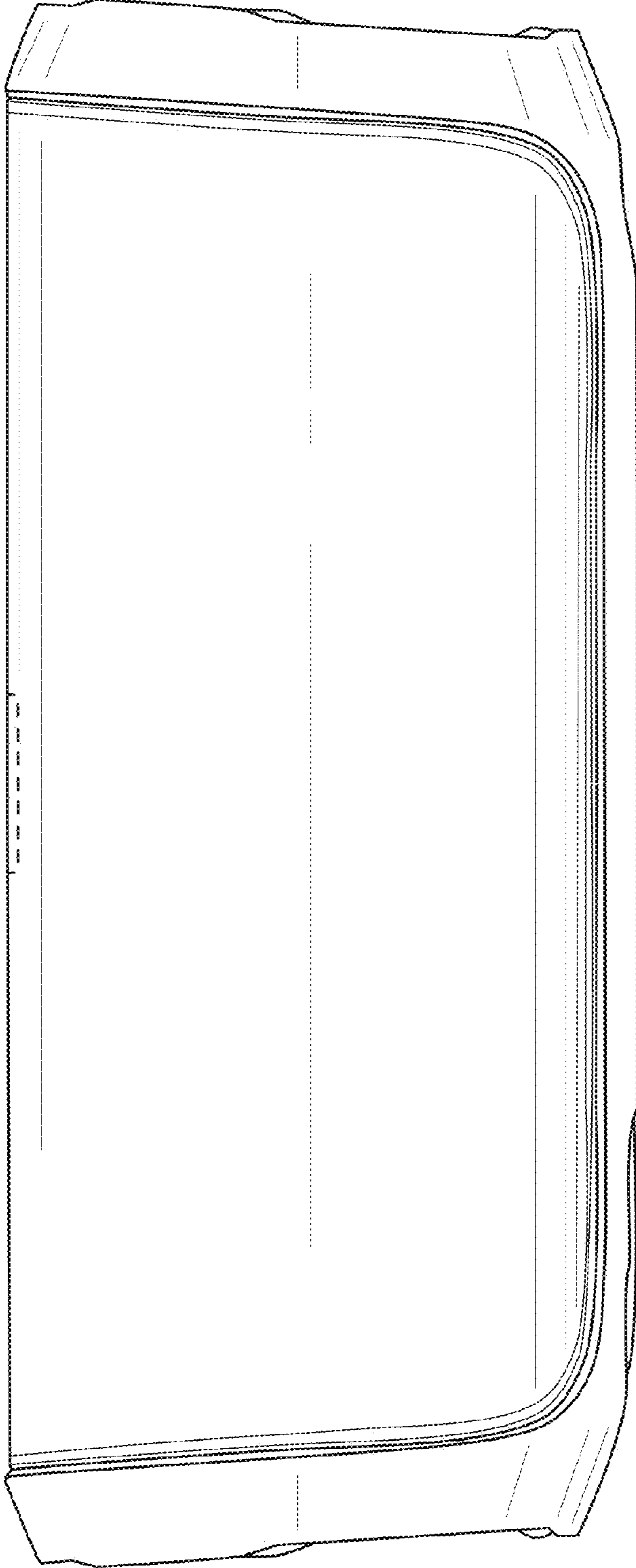


Fig. 2

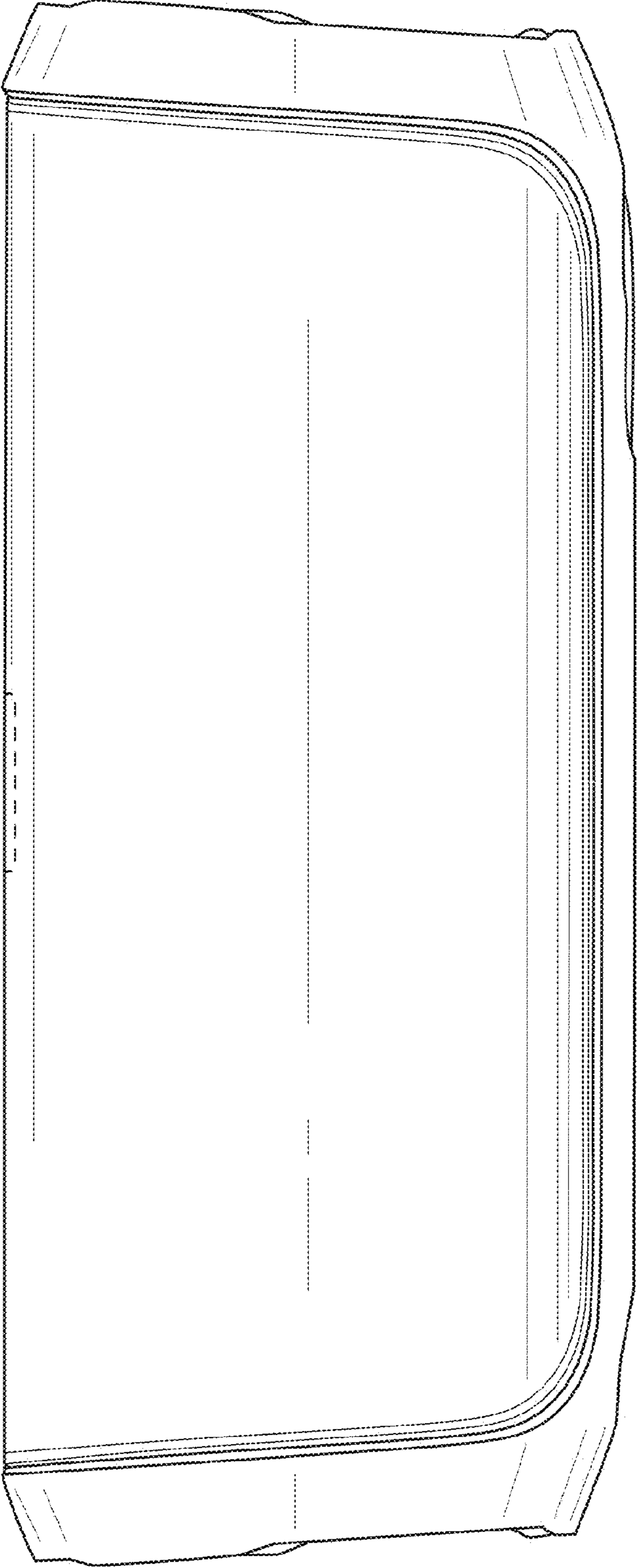


Fig. 3

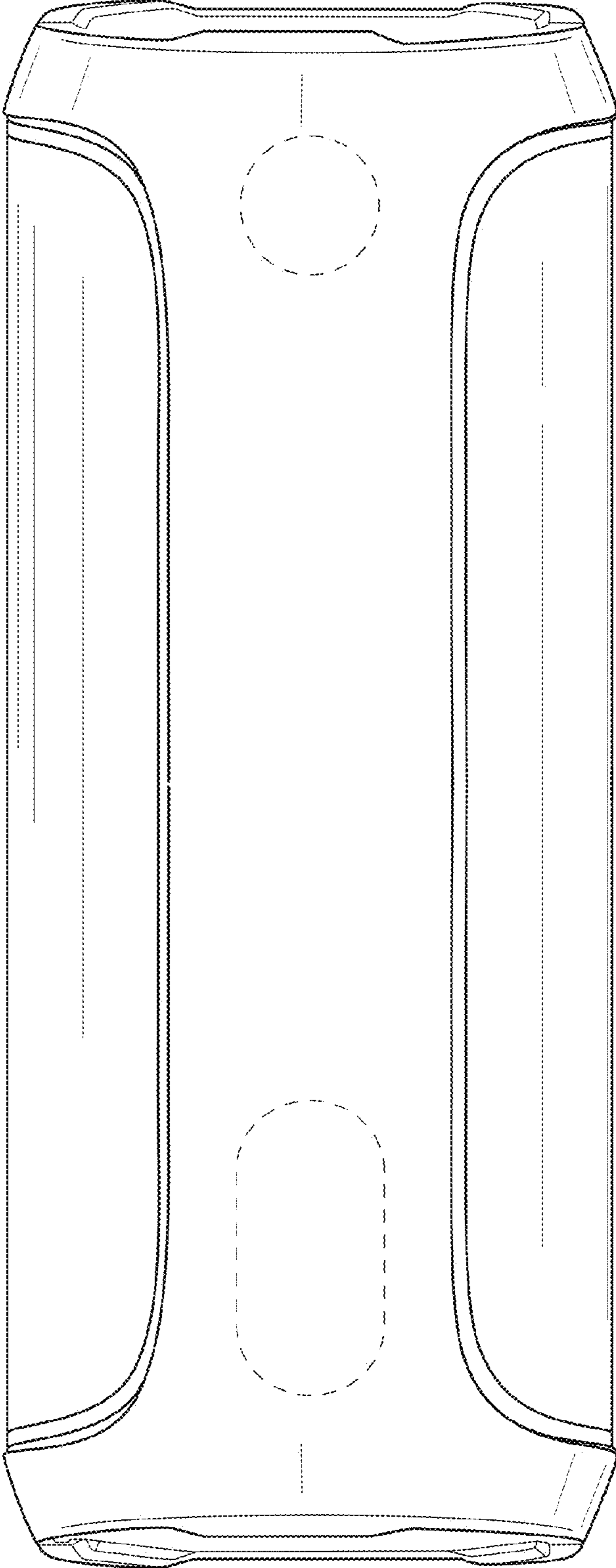


FIG. 4

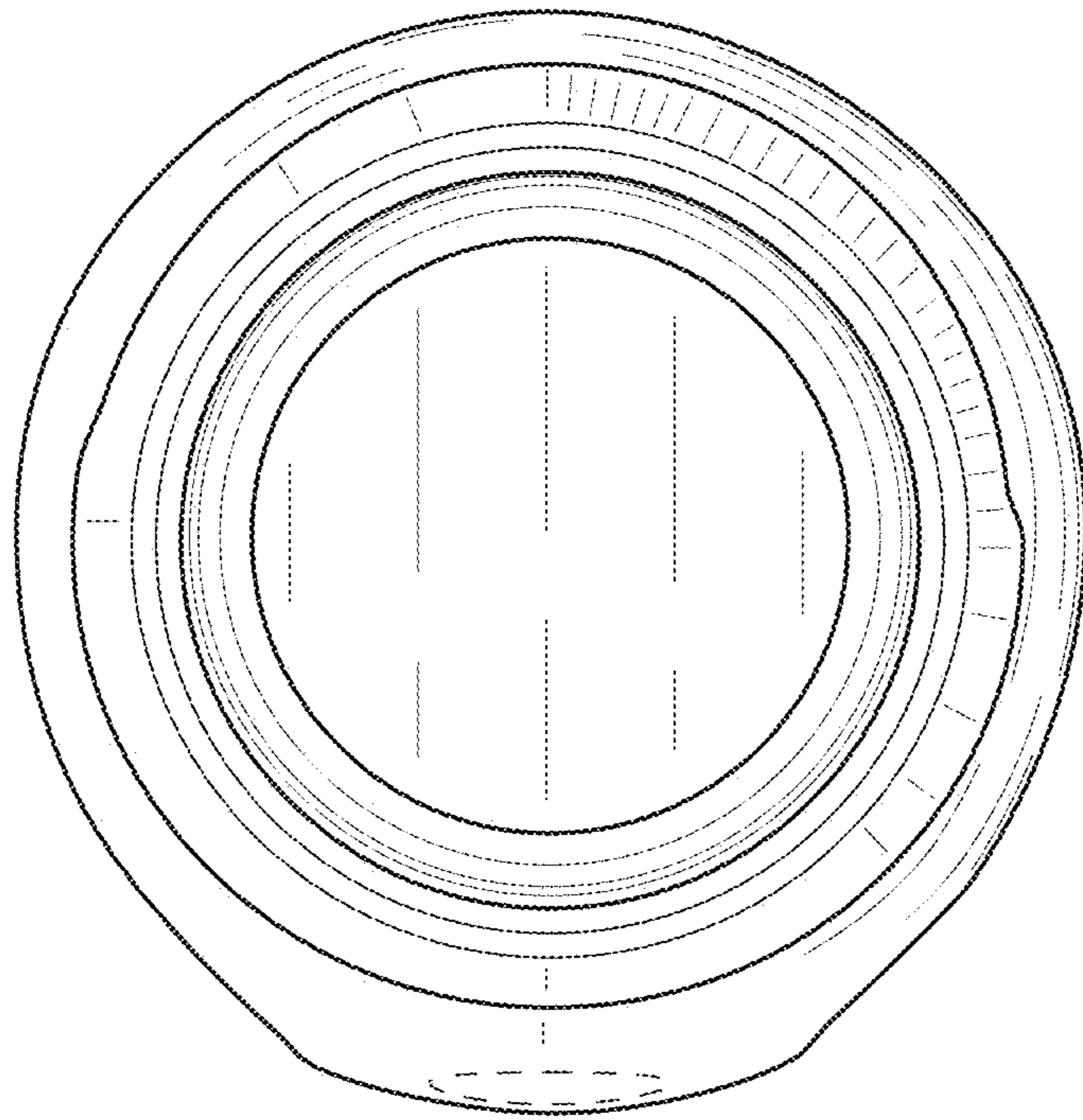


FIG. 5

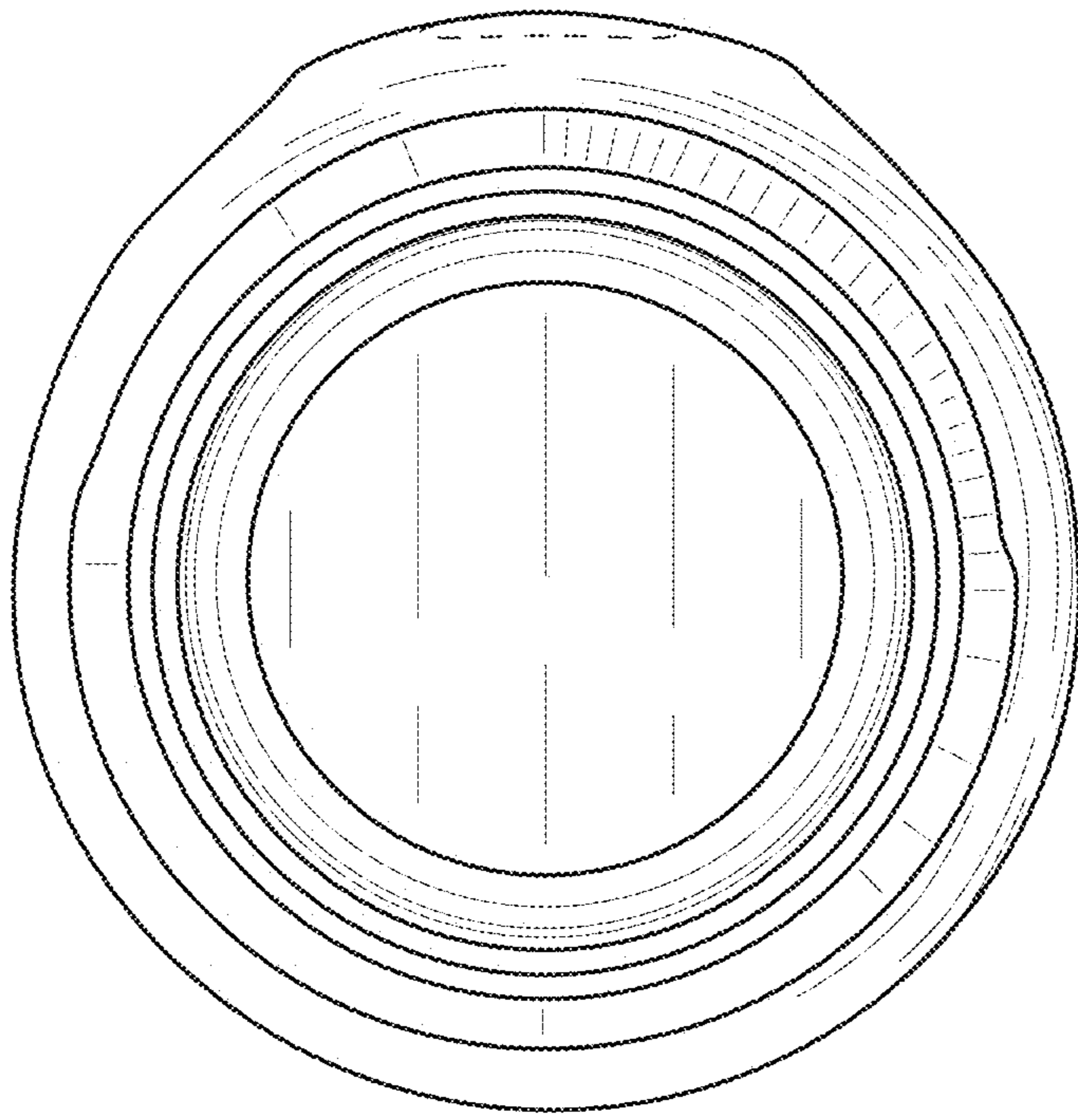


Fig. 6

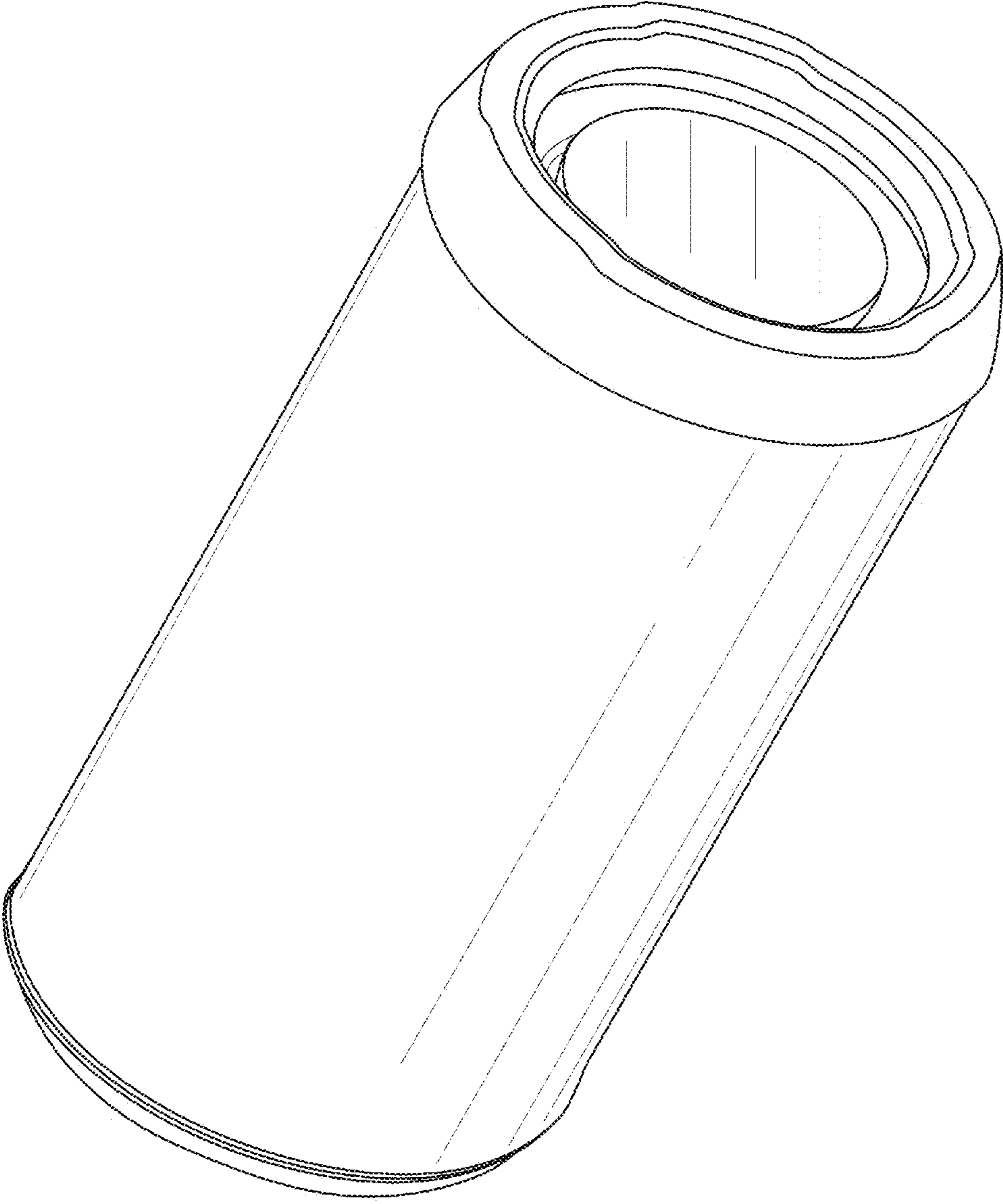


Fig. 7

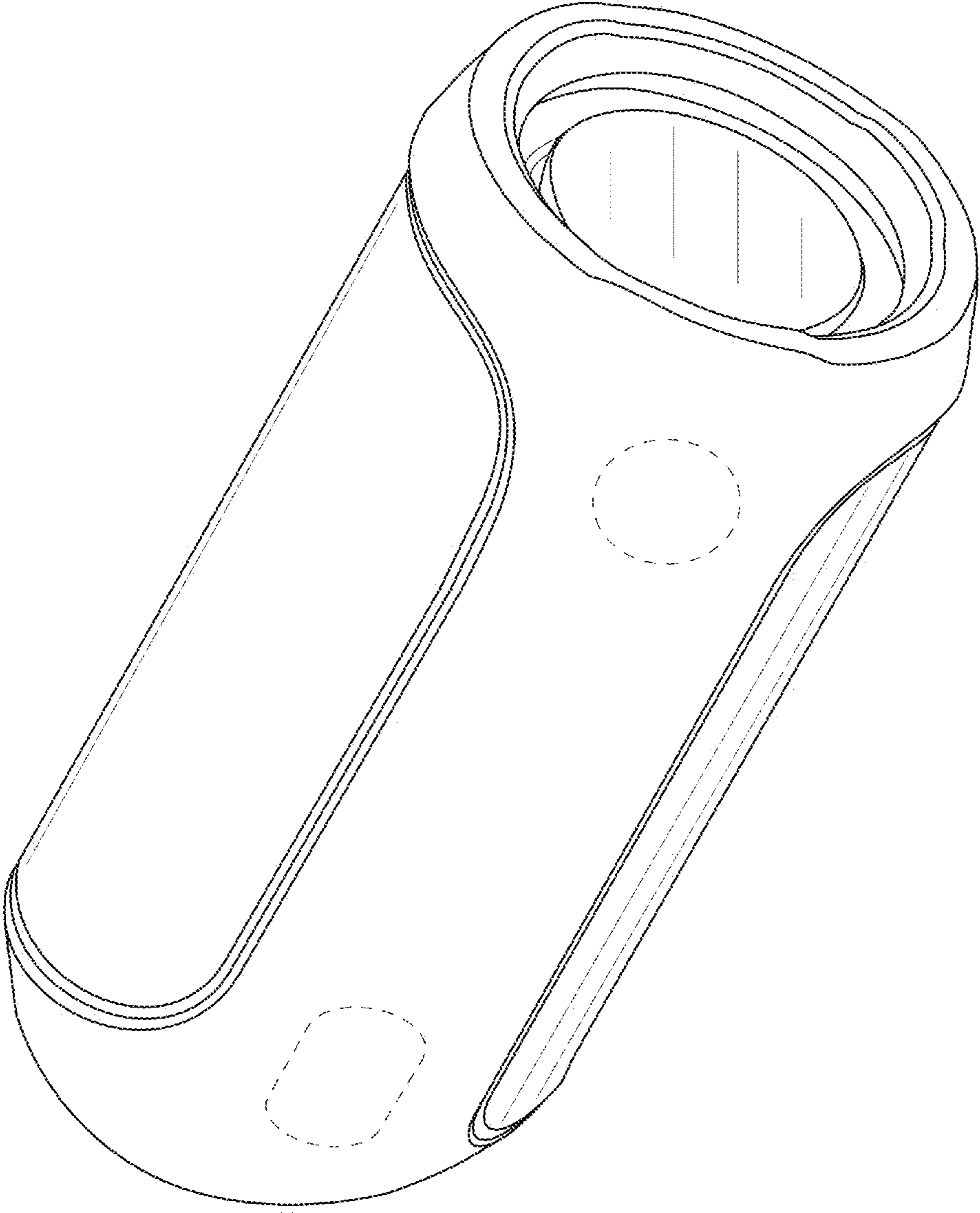


FIG. 8