



US00D750596S

(12) **United States Design Patent**  
**Li**

(10) **Patent No.:** **US D750,596 S**  
(45) **Date of Patent:** **\*\* Mar. 1, 2016**

(54) **SPEAKER**

H04R 2499/15; H04S 3/00; H04S 7/30  
See application file for complete search history.

(71) Applicant: **GIBSON INNOVATIONS BELGIUM N.V.**, Leuven (BE)

(56) **References Cited**

(72) Inventor: **Kent Jianye Li**, Hong Kong (CN)

U.S. PATENT DOCUMENTS

(73) Assignee: **GIBSON INNOVATIONS BELGIUM N.V.**, Leuven (BE)

D589,519	S	*	3/2009	Smith	.....	D14/461
D654,907	S	*	2/2012	McManigal	.....	D14/214
D655,274	S	*	3/2012	McManigal	.....	D14/214
D658,159	S	*	4/2012	Janky et al.	.....	D14/214
D658,160	S	*	4/2012	Janky et al.	.....	D14/214
D692,858	S	*	11/2013	Millora et al.	.....	D14/214
D703,194	S	*	4/2014	Jacobs et al.	.....	D14/225
D715,768	S	*	10/2014	Ryu et al.	.....	D14/214
D718,274	S	*	11/2014	Shadovitz	.....	D14/209.1
D718,737	S	*	12/2014	Shadovitz	.....	D14/209.1
D729,207	S	*	5/2015	Ko	.....	D14/216

(\*\*) Term: **14 Years**

(21) Appl. No.: **29/487,206**

(22) Filed: **Apr. 7, 2014**

(30) **Foreign Application Priority Data**

Oct. 7, 1920 (EM) ..... 002321083-0001

(51) **LOC (10) CL.** ..... **14-03**

(52) **U.S. CL.**

USPC ..... **D14/216**

(58) **Field of Classification Search**

USPC ..... D14/167, 168, 170-172, 188, 194-196,  
D14/204, 207, 209.1, 210-216, 219, 221,  
D14/222, 224, 496; 181/143, 144, 147, 148,  
181/150, 153, 157, 198, 199; 381/300-303,  
381/306, 332, 333, 336, 345, 361-364,  
381/386-388; 369/6-12

CPC .... B60R 11/0217; G06F 1/1688; H04M 1/03;  
H04M 1/035; H04R 1/02; H04R 1/06; H04R  
1/021; H04R 1/025; H04R 1/026; H04R  
1/028; H04R 1/105; H04R 1/323; H04R  
1/403; H04R 1/2803; H04R 1/2834; H04R  
5/02; H04R 7/20; H04R 9/06; H04R 9/025;  
H04R 2201/021; H04R 2400/00; H04R  
2400/07; H04R 2499/11; H04R 2499/13;

\* cited by examiner

*Primary Examiner* — Keli L Hill

(74) *Attorney, Agent, or Firm* — Bates & Bates, LLC;  
Andrea Bates; Kathryn Cox

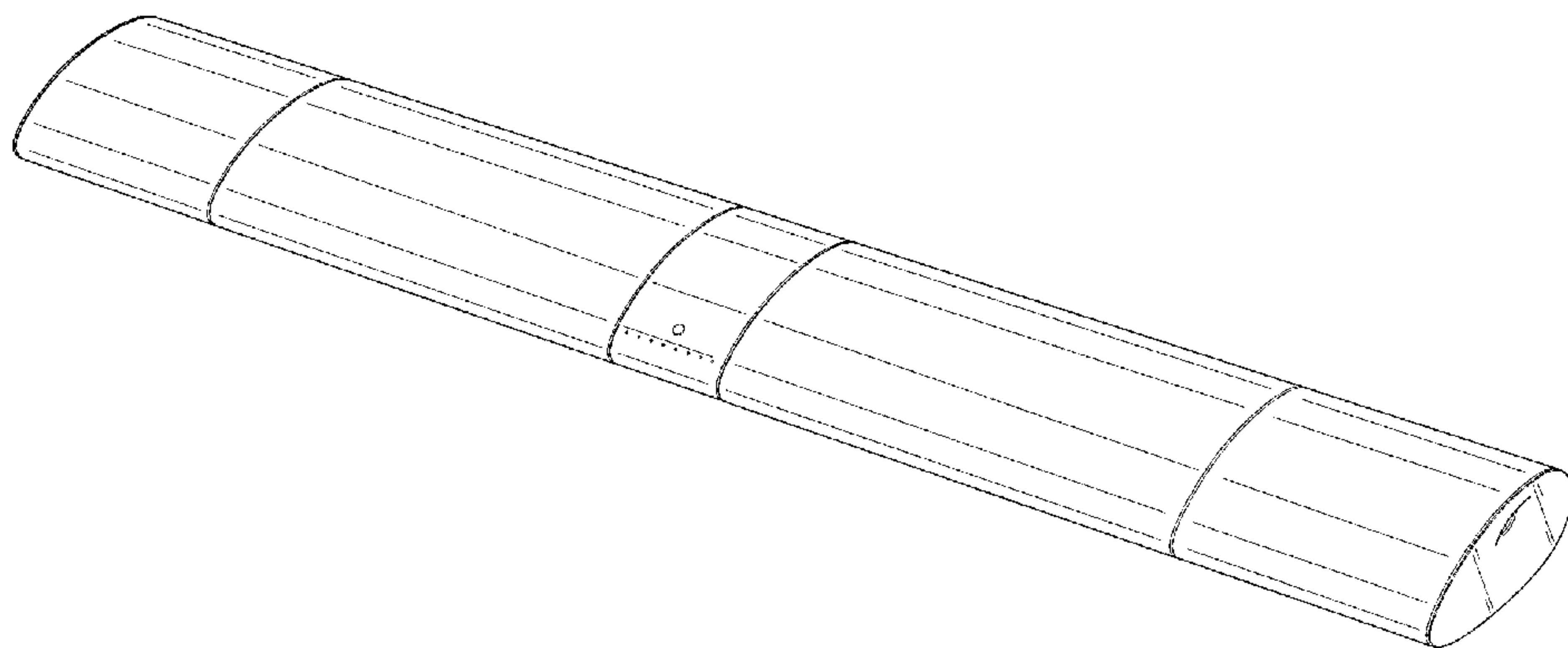
(57) **CLAIM**

The ornamental design for speaker, as shown and described.

**DESCRIPTION**

FIG. 1 is a perspective view of a speaker according to an embodiment of the claimed design;  
FIG. 2 is a front elevational view of the speaker of FIG. 1;  
FIG. 3 is a rear elevational view of the speaker of FIG. 1;  
FIG. 4 is a left elevational view of the speaker of FIG. 1;  
FIG. 5 is a right elevational view of the speaker of FIG. 1;  
FIG. 6 is a top elevational view of the speaker of FIG. 1; and,  
FIG. 7 is a bottom elevational view of the speaker of FIG. 1.  
The broken lines represent the portions of the design that form no part of the claim.

**1 Claim, 6 Drawing Sheets**



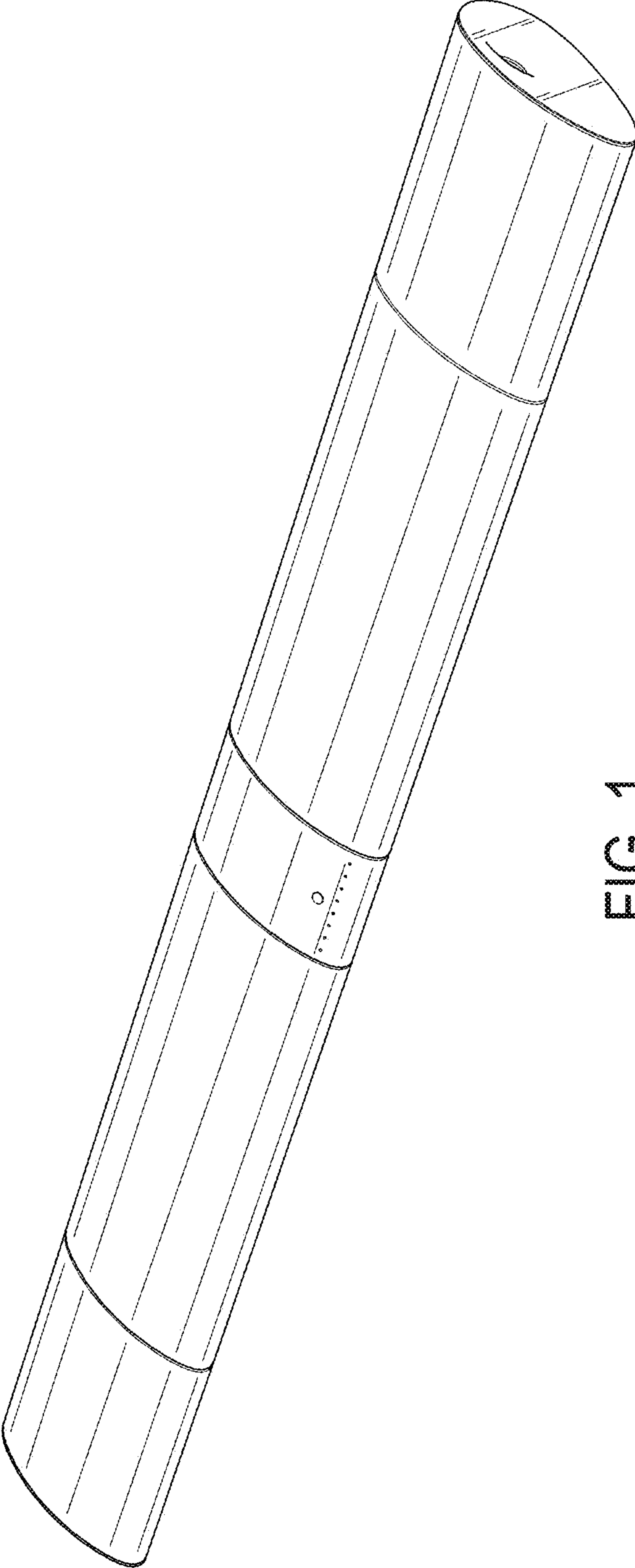


FIG. 1

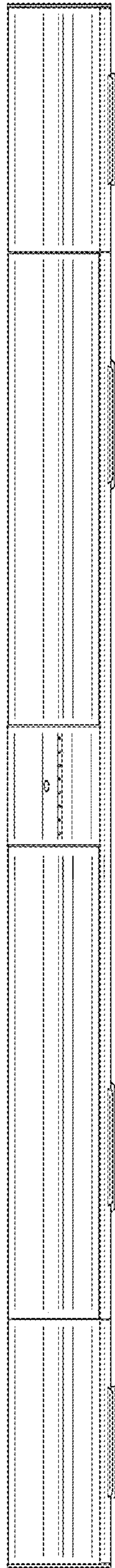


FIG. 2

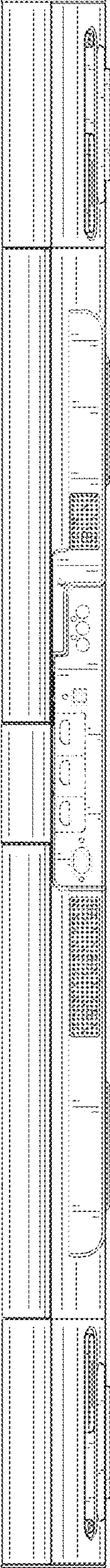


FIG. 3

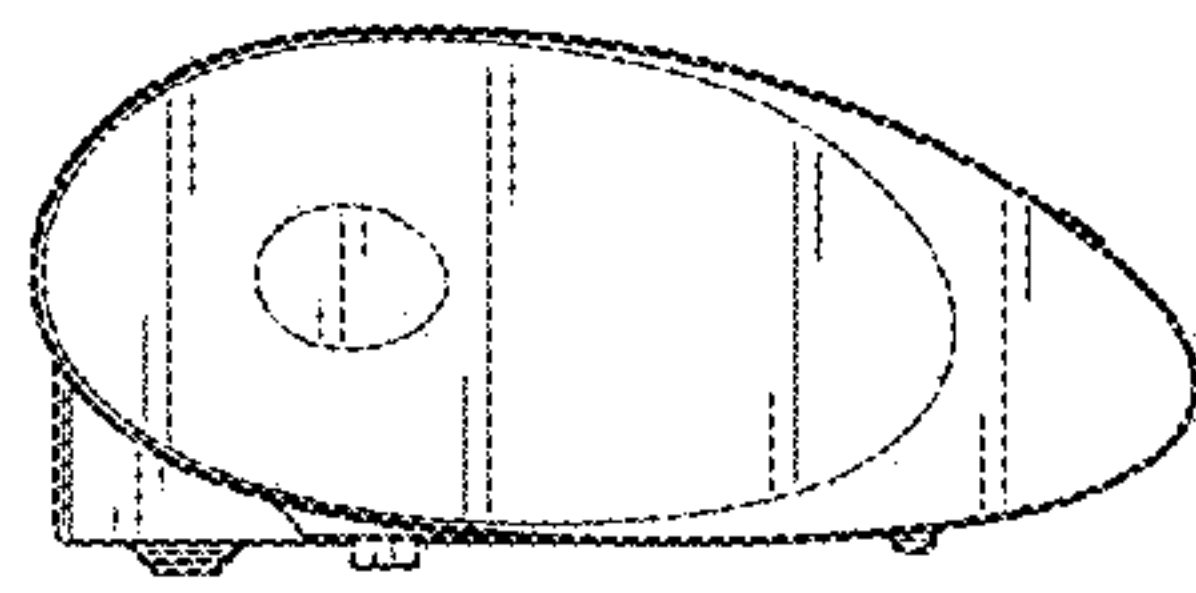


FIG. 4

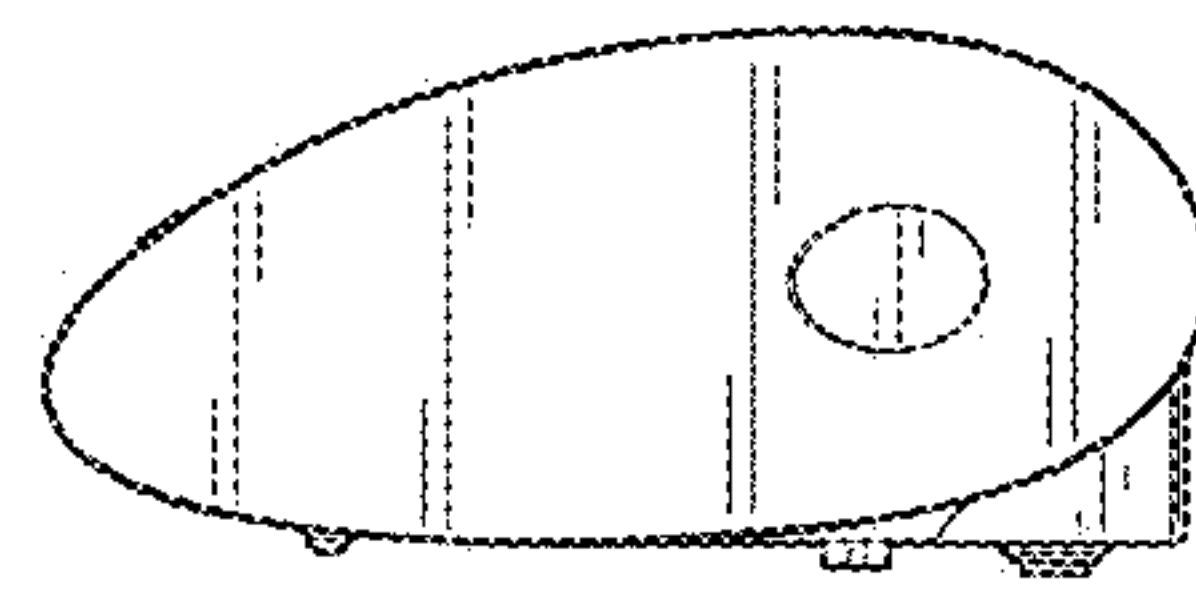


FIG. 5

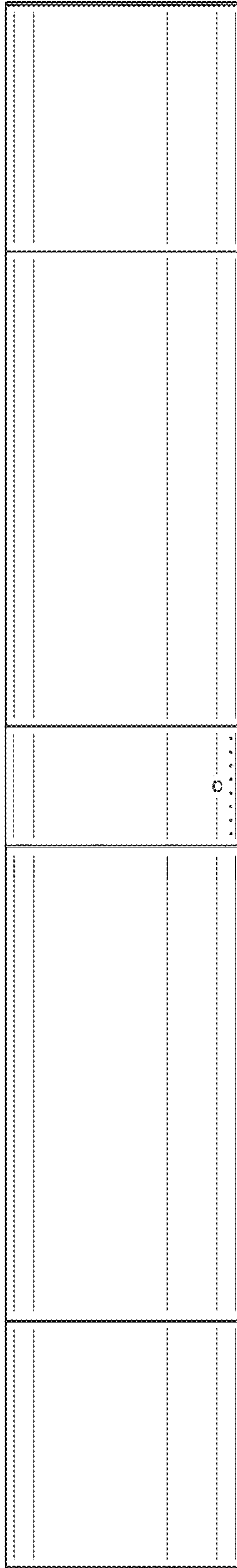


FIG. 6



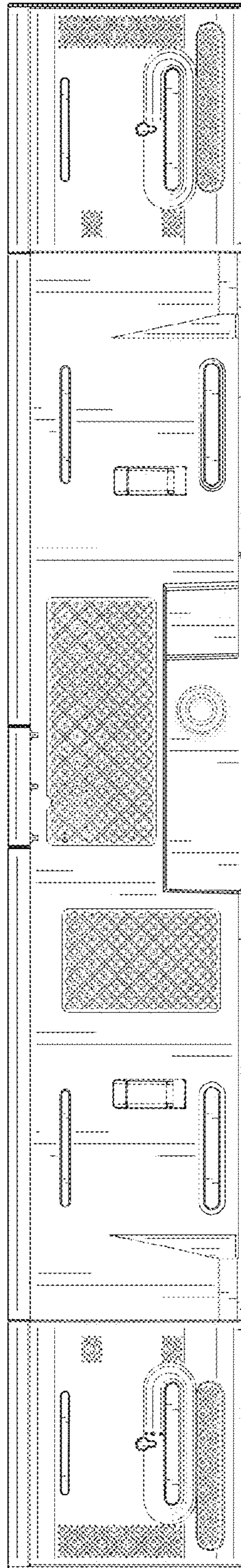


FIG. 7