



US00D750594S

(12) **United States Design Patent**
Wong

(10) **Patent No.:** **US D750,594 S**
(45) **Date of Patent:** **** Mar. 1, 2016**

(54) **SPEAKER**

(71) Applicant: **GIBSON INNOVATIONS BELGIUM NV**, Leuven (BE)

(72) Inventor: **Catherine Wong**, Hong Kong (CN)

(73) Assignee: **Gibson Innovations Belgium NV**, Leuven (BE)

(**) Term: **14 Years**

(21) Appl. No.: **29/498,878**

(22) Filed: **Aug. 8, 2014**

(30) **Foreign Application Priority Data**

Feb. 13, 2014 (EM) 002403907

(51) **LOC (10) Cl.** **14-03**

(52) **U.S. Cl.**
USPC **D14/214**

(58) **Field of Classification Search**
USPC D14/167, 168, 170–172, 188, 194–196, D14/204, 207, 209.1, 210–216, 219, 221, D14/222, 224, 496; 181/143, 144, 147, 148, 181/150, 153, 157, 198, 199; 381/300–303, 381/306, 332, 333, 336, 345, 361–364, 381/386–388; 369/6–12
CPC B60R 11/0217; G06F 1/1688; H04M 1/03; H04M 1/035; H04R 1/02; H04R 1/06; H04R 1/021; H04R 1/025; H04R 1/026; H04R 1/028; H04R 1/105; H04R 1/323; H04R 1/403; H04R 1/2803; H04R 1/2834; H04R 5/02; H04R 7/20; H04R 9/06; H04R 9/025; H04R 2201/021; H04R 2400/00; H04R

2400/07; H04R 2499/11; H04R 2499/13; H04R 2499/15; H04S 3/00; H04S 7/30

See application file for complete search history.

(56) **References Cited**

U.S. PATENT DOCUMENTS

D571,786 S *	6/2008	Cho	D14/215
D578,108 S *	10/2008	Shih et al.	D14/214
D656,124 S *	3/2012	Smith et al.	D14/204
D673,933 S *	1/2013	McManigal et al.	D14/214

* cited by examiner

Primary Examiner — Keli L Hill

(74) *Attorney, Agent, or Firm* — Bates & Bates, LLC

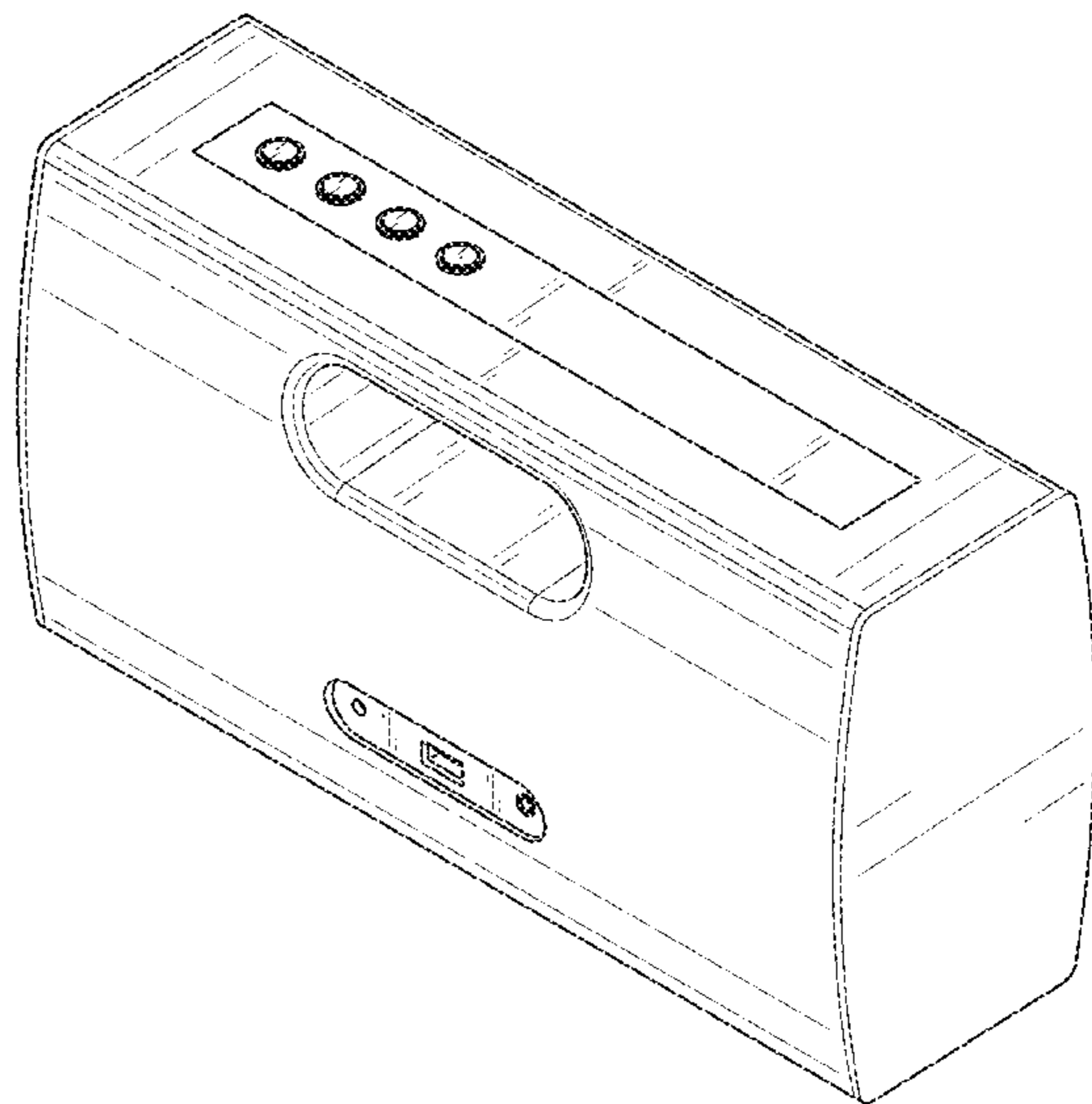
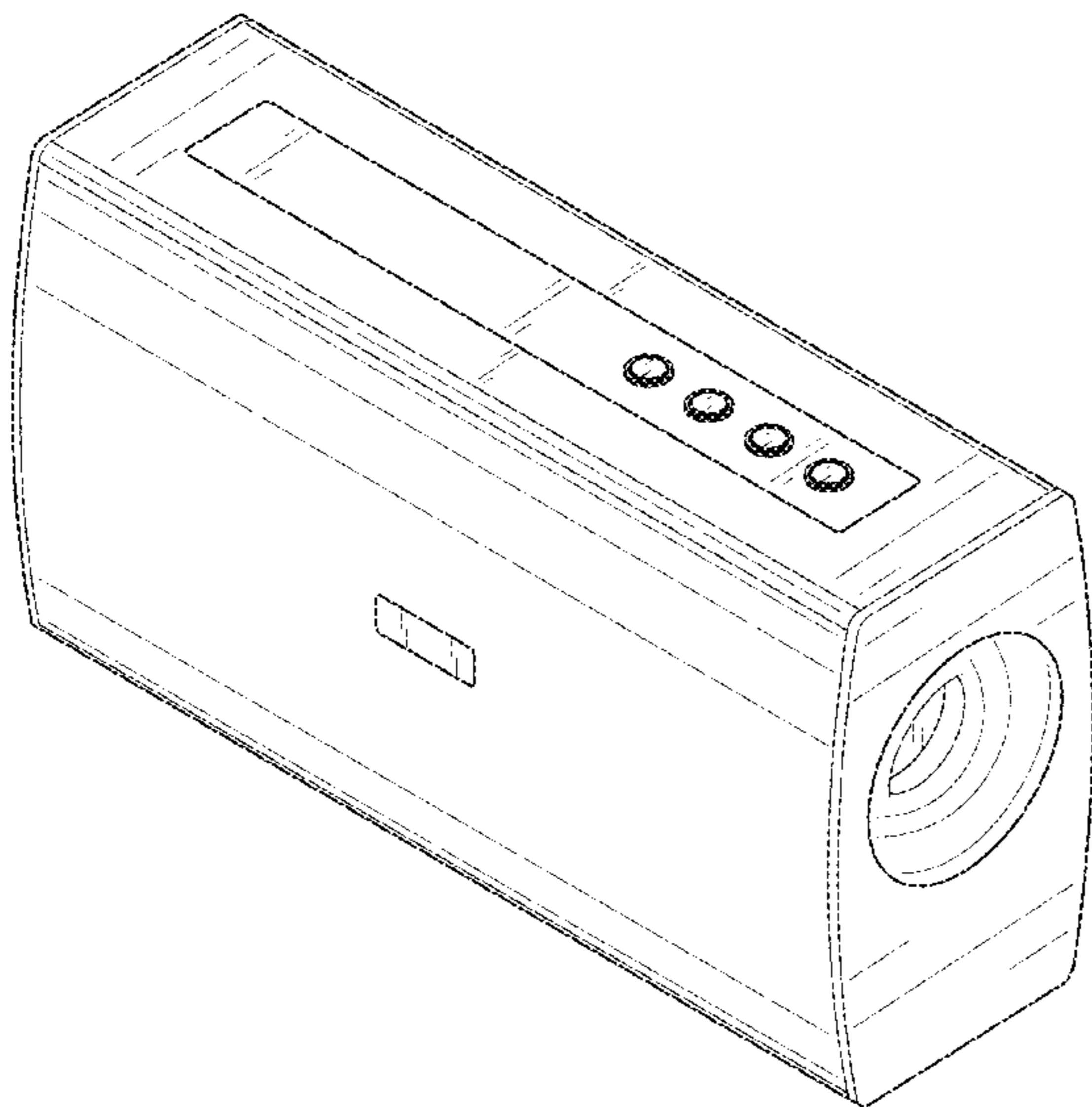
(57) **CLAIM**

The ornamental design for speaker, as shown and described.

DESCRIPTION

FIG. 1 is a front perspective view of a speaker according to an embodiment of the claimed design; FIG. 2 is a front elevational view of the speaker of FIG. 1; FIG. 3 is a rear elevational view of the speaker of FIG. 1; FIG. 4 is a bottom elevational view of the speaker of FIG. 1; FIG. 5 is a top elevational view of the speaker of FIG. 1; FIG. 6 is a right side elevational view of the speaker of FIG. 1; FIG. 7 is a left side elevational view of the speaker of FIG. 1; and, FIG. 8 is a rear perspective view of the speaker of FIG. 1. The features shown in broken lines are environment only and not part of the claimed design.

1 Claim, 8 Drawing Sheets



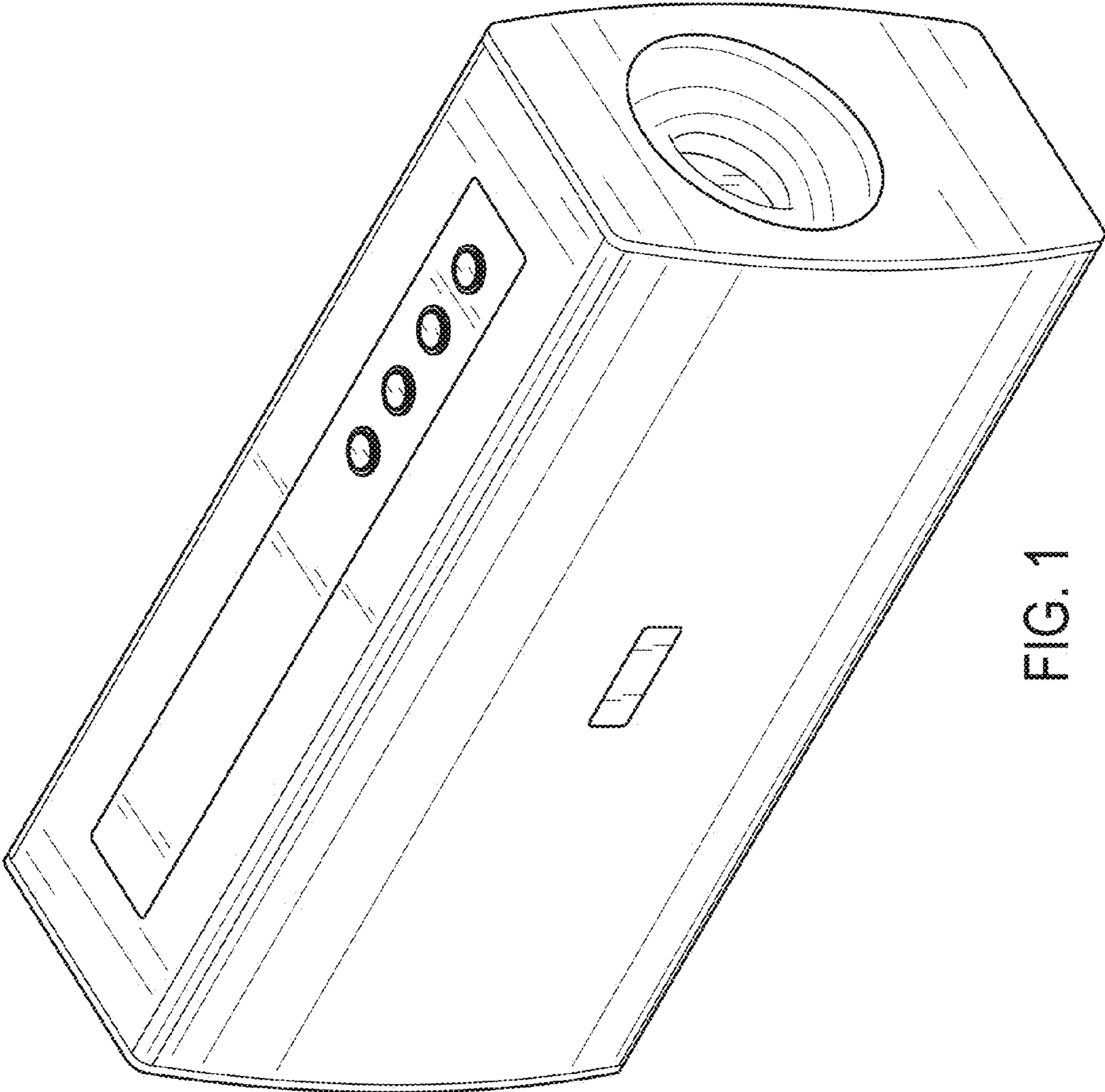


FIG. 1

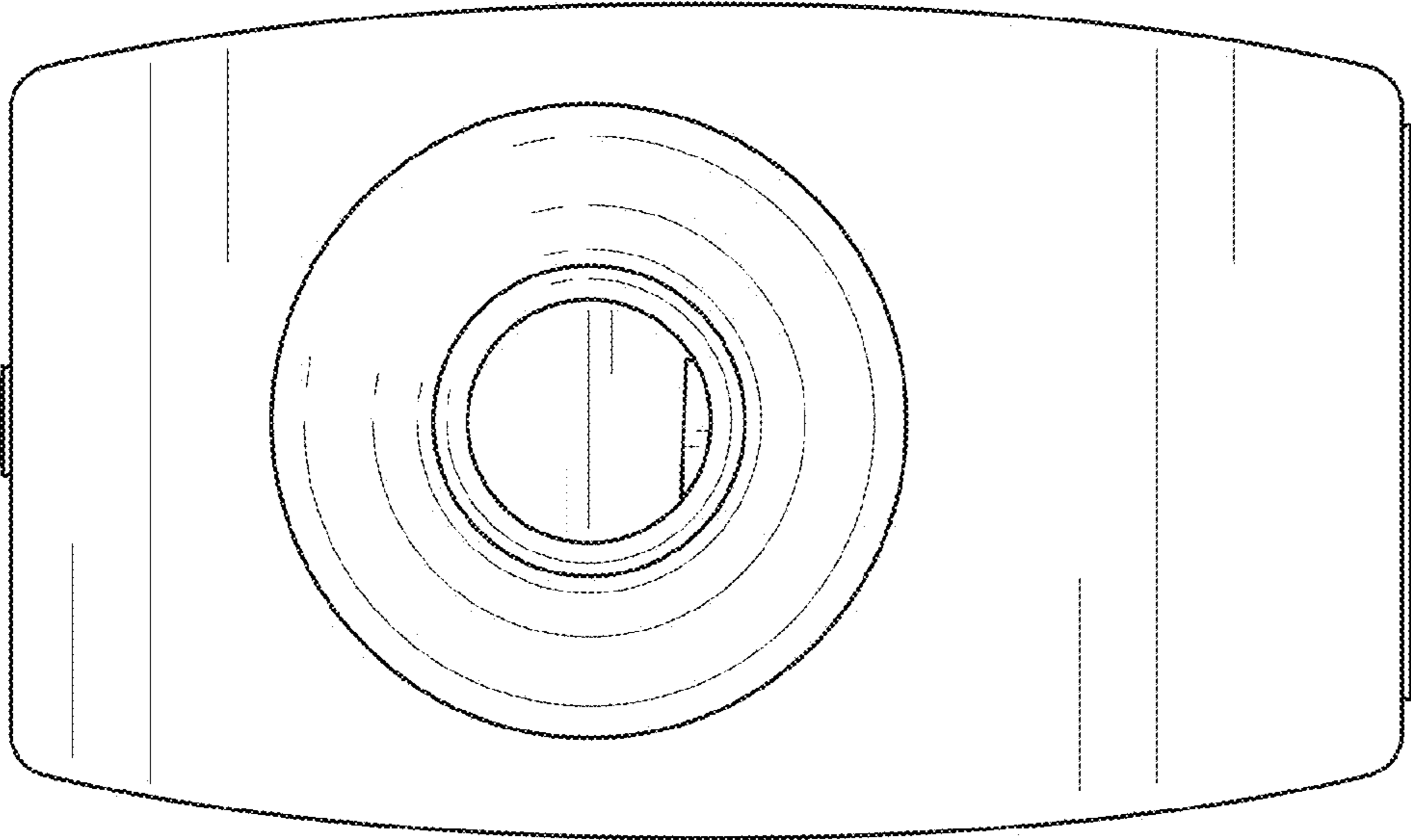


FIG. 2

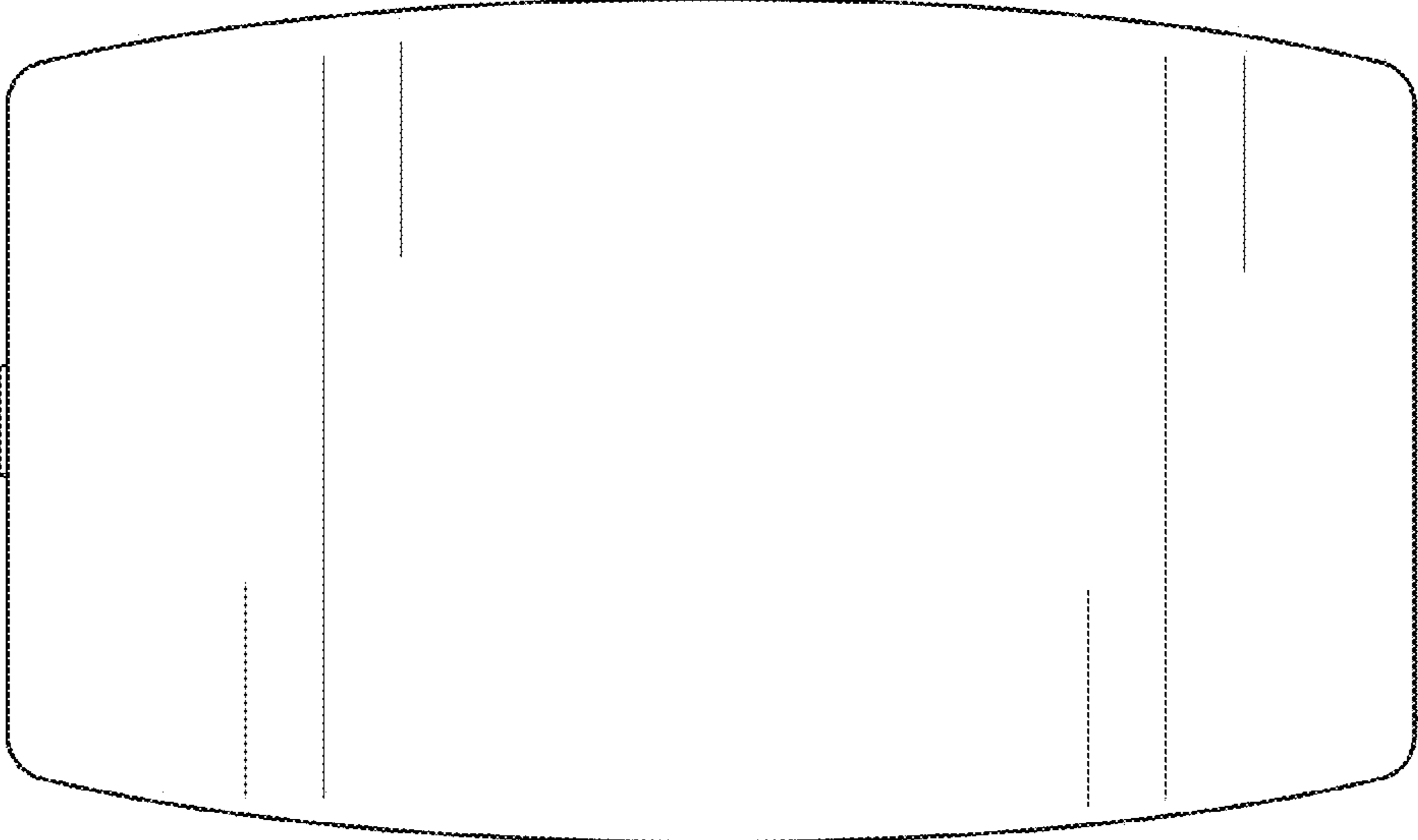


FIG. 3

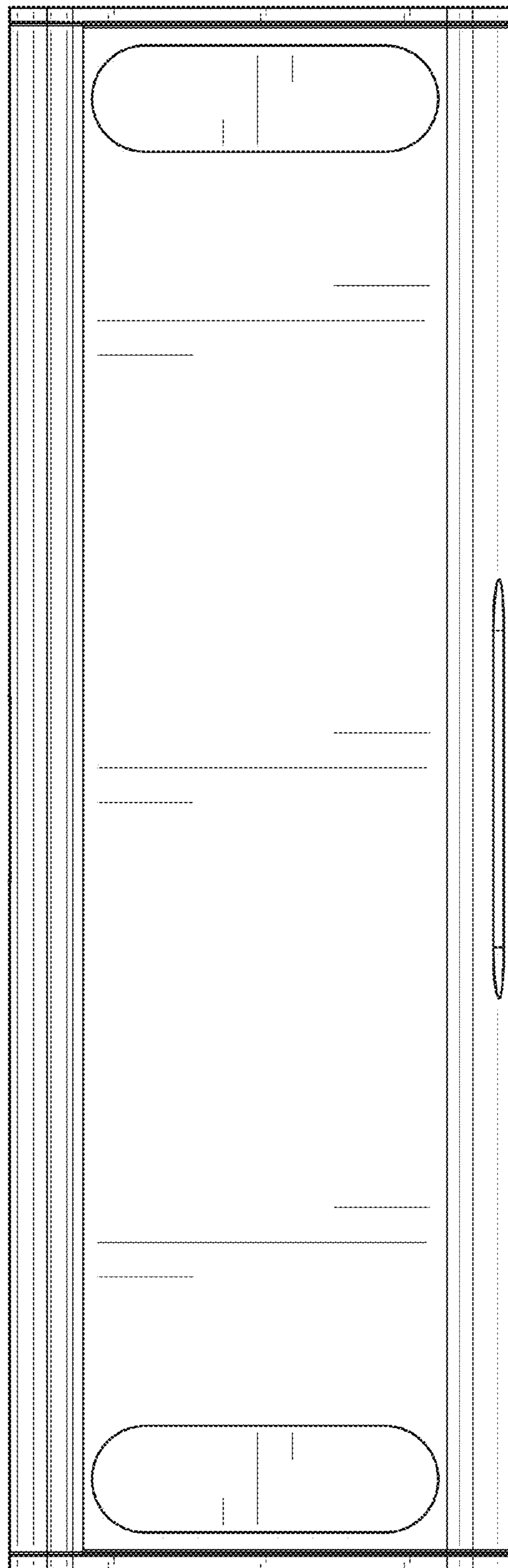


FIG. 4

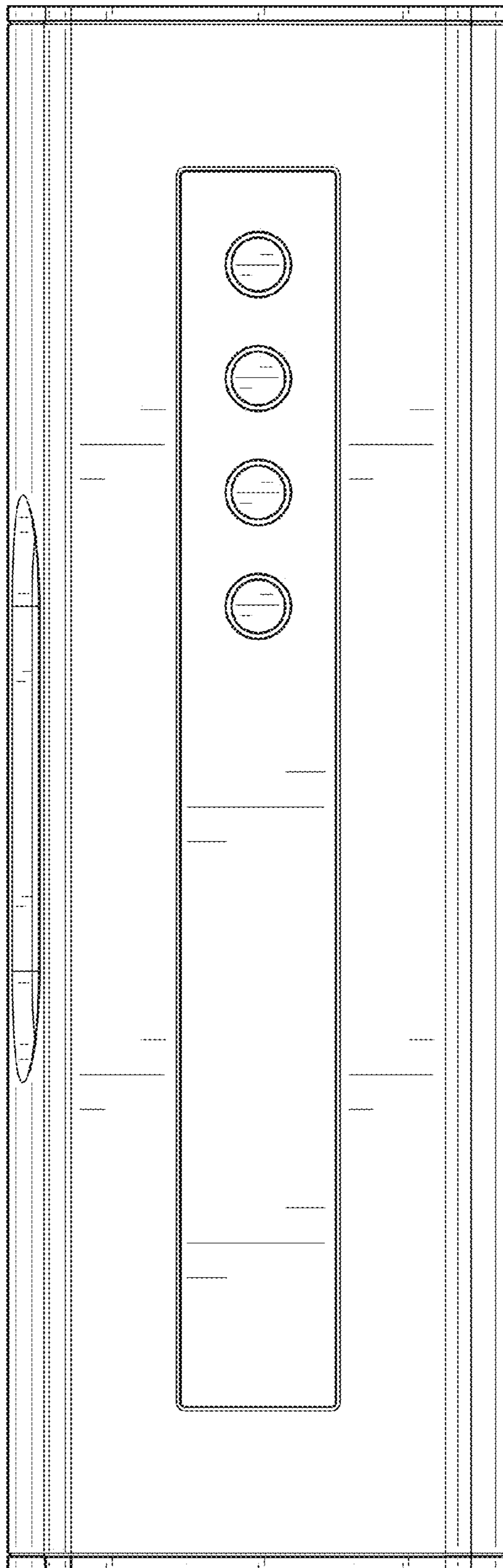


FIG. 5

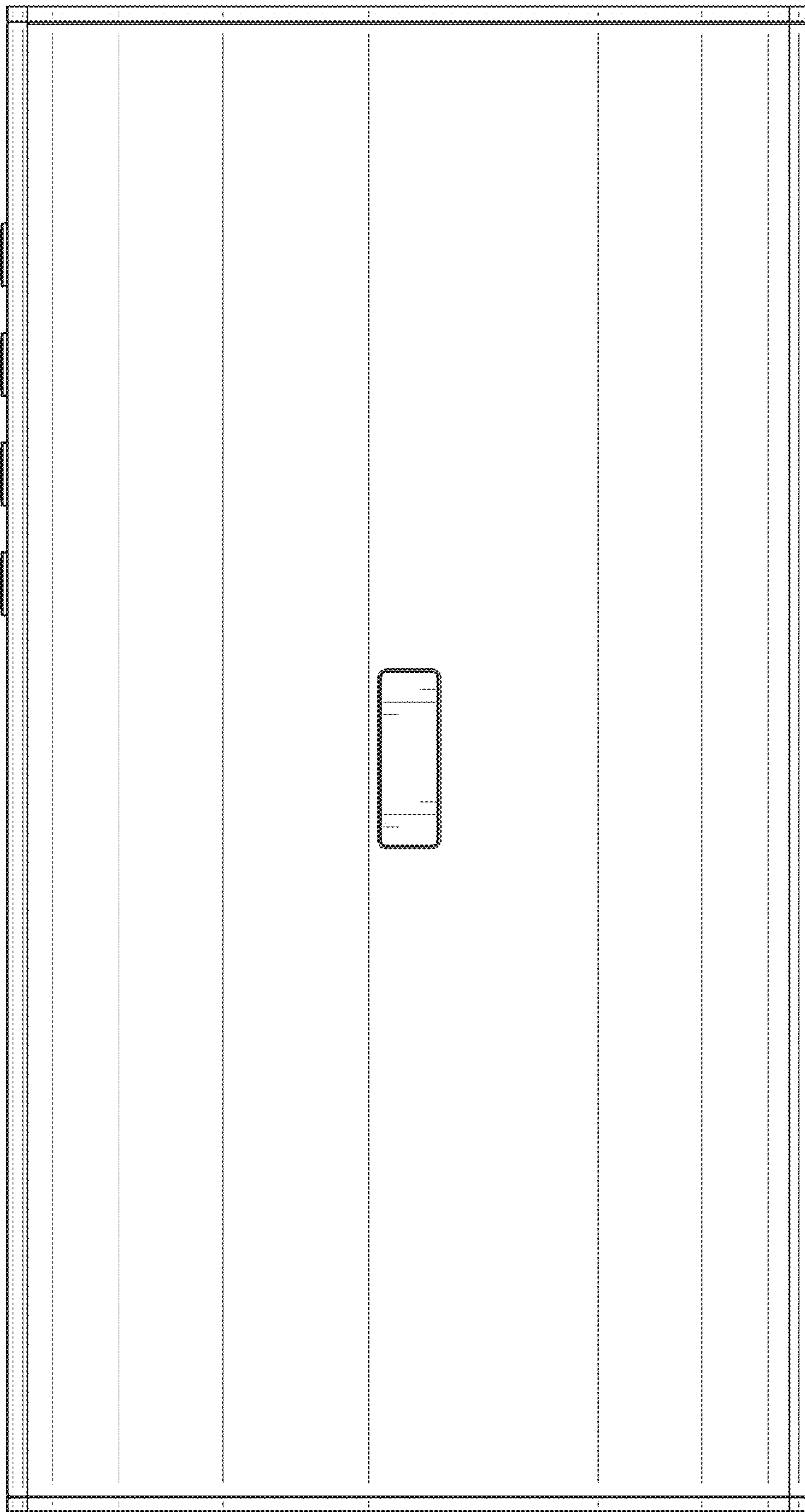


FIG. 6

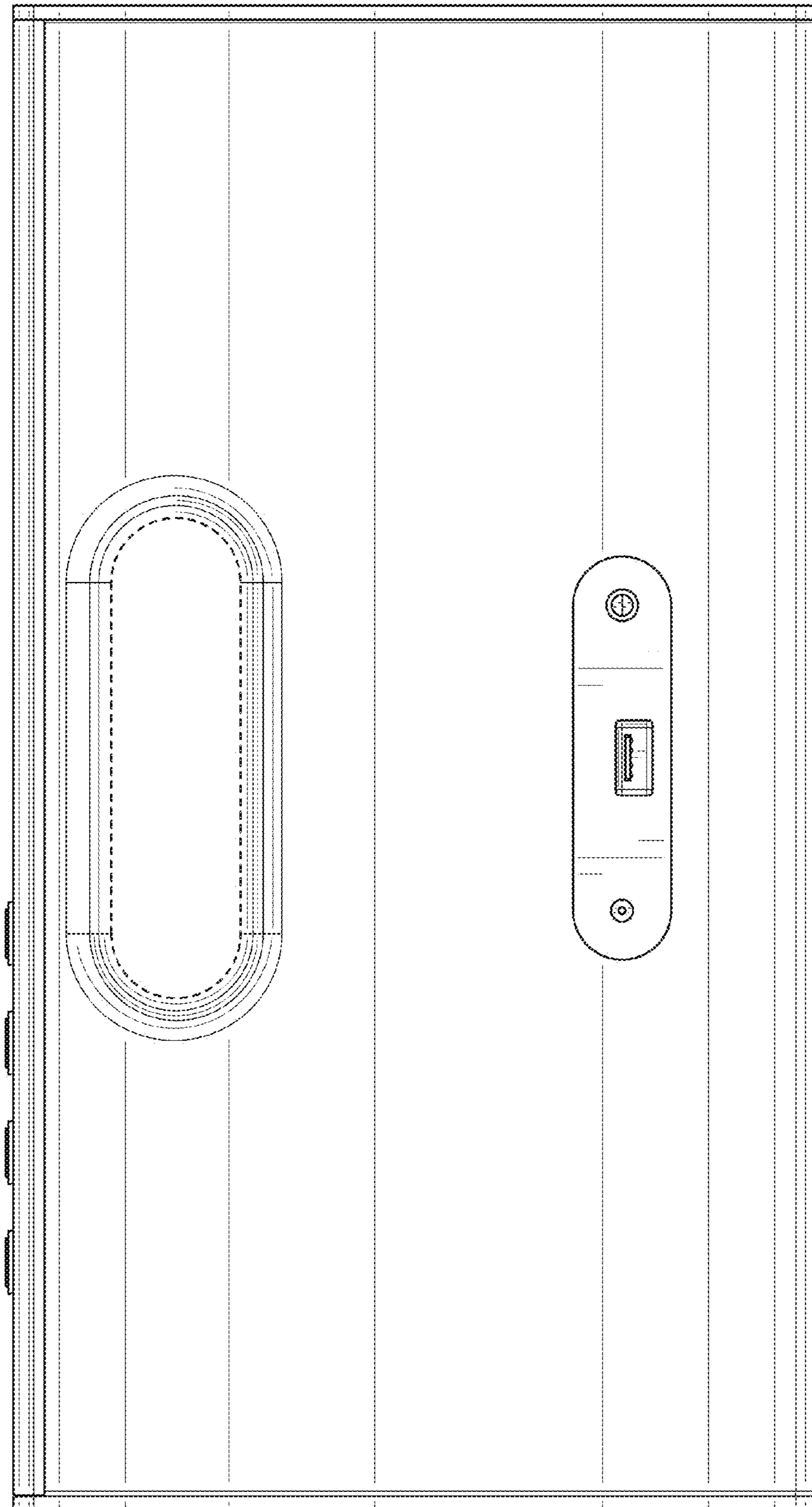


FIG. 7

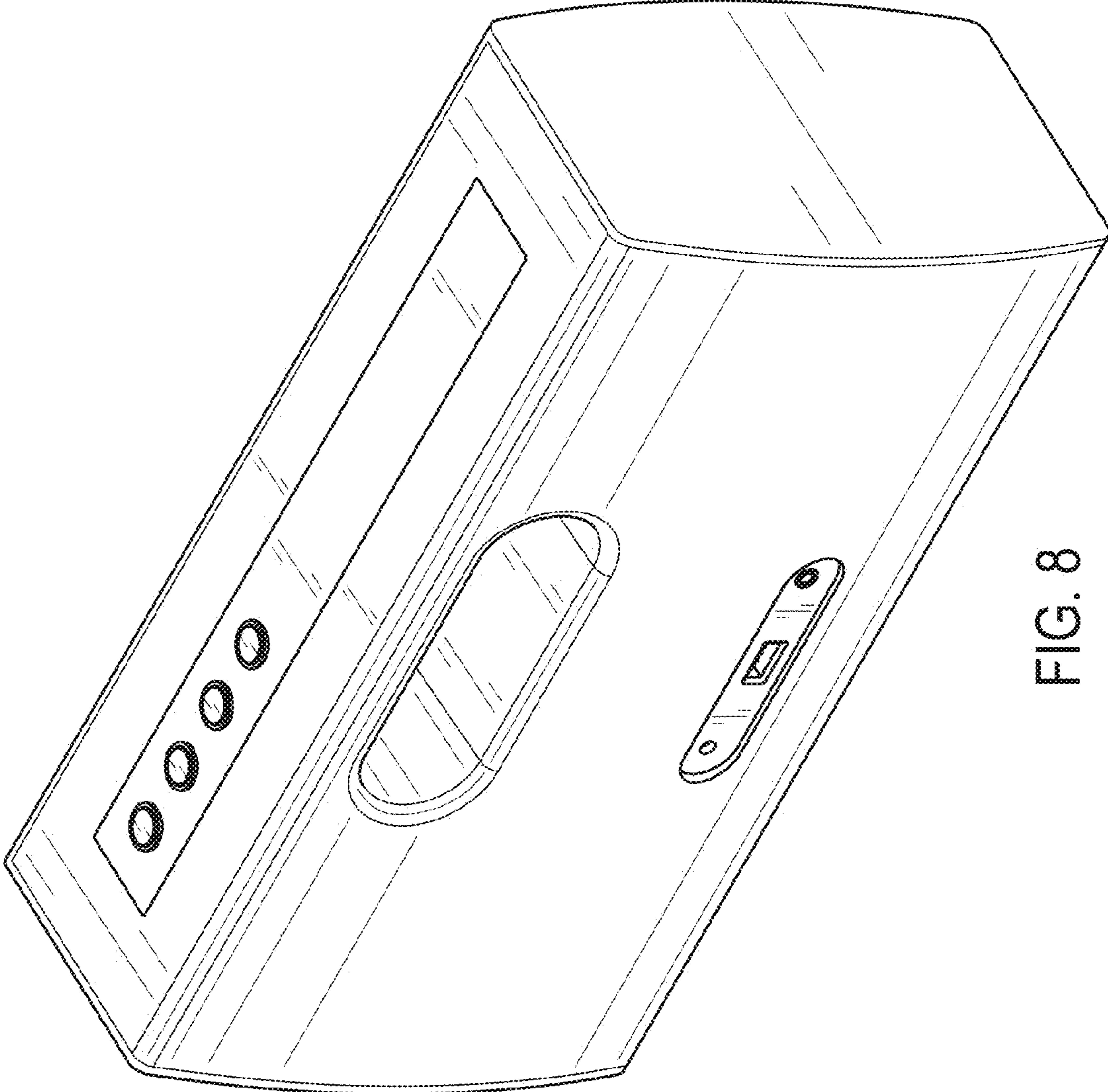


FIG. 8