



US00D750593S

(12) **United States Design Patent**
Hardi

(10) **Patent No.:** **US D750,593 S**
(45) **Date of Patent:** **** Mar. 1, 2016**

- (54) **HEADPHONE**
- (71) Applicant: **Muzik LLC**, Miami Beach, FL (US)
- (72) Inventor: **Jason Hardi**, Miami Beach, FL (US)
- (73) Assignee: **MUZIK LLC**, Miami Beach, FL (US)
- (**) Term: **14 Years**
- (21) Appl. No.: **29/493,131**
- (22) Filed: **Jun. 5, 2014**

Related U.S. Application Data

- (62) Division of application No. 29/445,227, filed on Feb. 8, 2013, now Pat. No. Des. 707,653.
- (51) **LOC (10) Cl.** **14-01**
- (52) **U.S. Cl.**
USPC **D14/205**
- (58) **Field of Classification Search**
USPC D14/205; D29/112; 2/209; 181/129,
181/130, 135; 379/430, 431; 381/380, 381;
455/90.3, 575.1
CPC H04R 1/10
See application file for complete search history.

(56) **References Cited**

U.S. PATENT DOCUMENTS

2,537,201	A *	1/1951	Amfitheatrof	181/136
D287,849	S *	1/1987	O'Malley et al.	D14/206
4,634,816	A *	1/1987	O'Malley et al.	379/430
D297,324	S	8/1988	Kohno		
D316,551	S *	4/1991	Ichikawa	D14/205
D316,861	S	5/1991	Yoda et al.		
D318,669	S	7/1991	Nakayama		
D323,167	S	1/1992	Yamazaki et al.		
D338,010	S	8/1993	Yamatogi		
D351,597	S *	10/1994	Nakamura	D14/205
D368,716	S *	4/1996	Shudo	D14/205
D373,360	S *	9/1996	Kanno	D14/205

D375,312	S	11/1996	Kanno		
D377,021	S	12/1996	Isono		
D379,817	S	6/1997	Lin		
D399,206	S *	10/1998	Yasutomi et al.	D14/205
D402,659	S	12/1998	Suzuki		
D404,035	S *	1/1999	Delazzer	D14/206
6,195,441	B1	2/2001	Ito		
D444,140	S	6/2001	Ishibashi		
D457,874	S	5/2002	Yoneda		
6,385,325	B1	5/2002	Nageno et al.		
D463,396	S *	9/2002	Beraut et al.	D14/205
D471,176	S	3/2003	Suzuki		
D484,485	S	12/2003	Matsuoka		
D492,941	S *	7/2004	Komiyama	D14/205
D502,938	S	3/2005	Tokioka et al.		
D504,414	S *	4/2005	Yoshida	D14/192
D504,883	S	5/2005	Jacobson et al.		

(Continued)

Primary Examiner — Paula Greene

(74) *Attorney, Agent, or Firm* — Perkins Coie LLP

(57) **CLAIM**

The ornamental design for a headphone, substantially as shown and described.

DESCRIPTION

FIG. 1 is a perspective view of an implementation of the invention, the opposite front face of the headphone is a mirror image.

FIG. 2 is a back view of an implementation of the invention.

FIG. 3 is a front view of an implementation of the present invention.

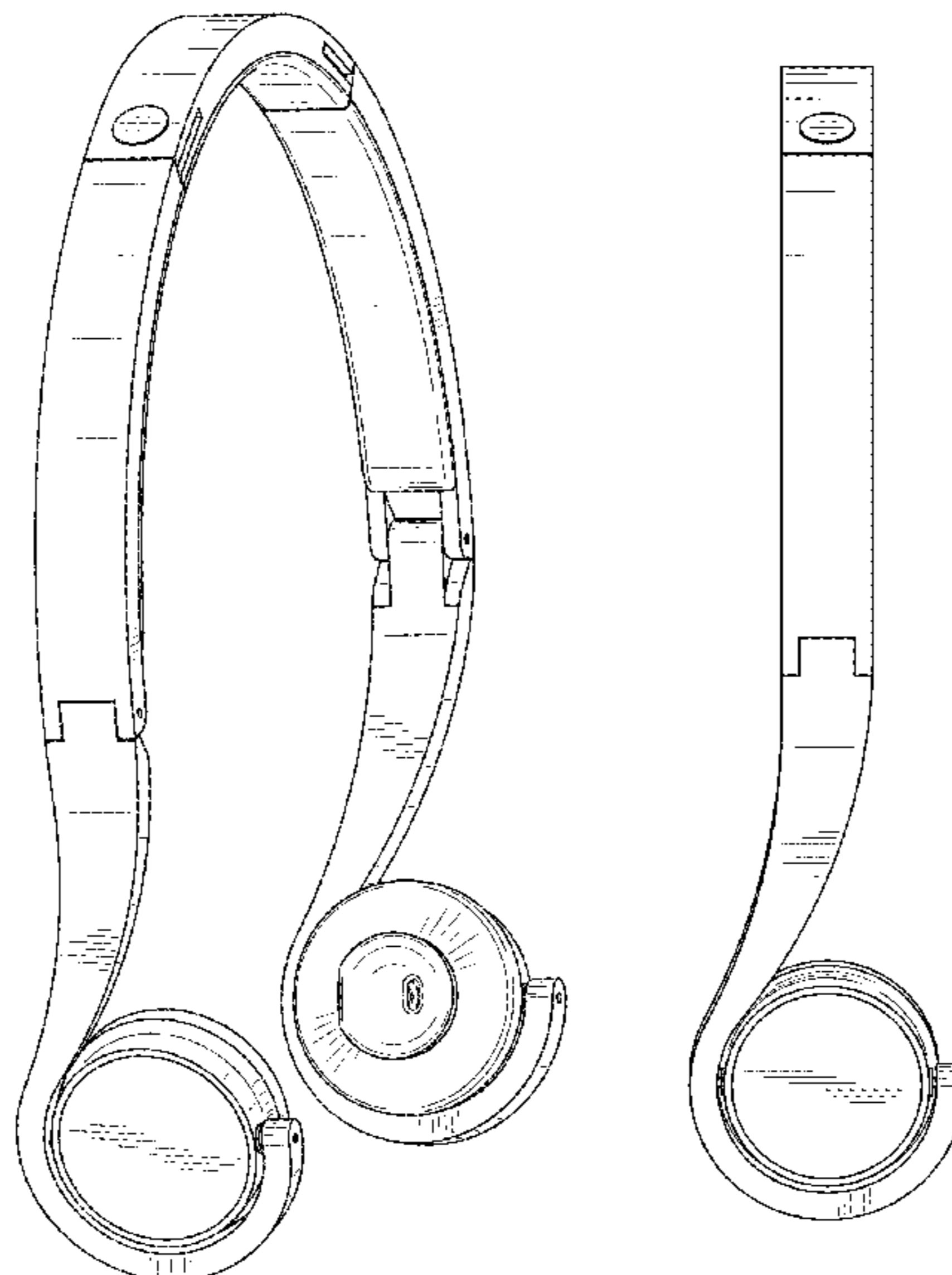
FIG. 4 is a right view of an implementation of the present invention.

FIG. 5 is a left view of an implementation of the present invention.

FIG. 6 is a top view of an implementation of the present invention; and,

FIG. 7 is a bottom view of an implementation of the present invention.

1 Claim, 5 Drawing Sheets



(56)

References Cited

U.S. PATENT DOCUMENTS

D508,908 S 8/2005 Chueh
 D512,983 S 12/2005 Tachikawa
 D525,235 S * 7/2006 Koizumi D14/205
 7,072,483 B2 7/2006 Lenhard-Backhaus
 D540,302 S 4/2007 Hagiwara et al.
 D540,303 S 4/2007 Rausch et al.
 D544,464 S 6/2007 Lee
 D557,684 S 12/2007 Pundsack et al.
 D573,581 S 7/2008 Gondo et al.
 D592,640 S 5/2009 Tkachuk
 D594,847 S 6/2009 Suzuki
 7,580,539 B2 * 8/2009 Tachikawa 381/374
 D605,171 S 12/2009 Gal
 D625,705 S 10/2010 Ohori et al.
 D634,732 S 3/2011 Kondo et al.
 8,098,872 B2 1/2012 Chang

D663,716 S 7/2012 Hardi et al.
 D673,136 S * 12/2012 Kelly et al. D14/205
 8,325,962 B2 12/2012 Ishida et al.
 D673,520 S 1/2013 Tan
 D675,595 S 2/2013 Cho et al.
 D683,329 S 5/2013 Hagelin
 D684,141 S 6/2013 Takamoto
 D689,463 S 9/2013 Hardi et al.
 D691,109 S * 10/2013 Hardi et al. D14/205
 D700,167 S * 2/2014 Hardi D14/205
 D706,240 S * 6/2014 Szymanski et al. D14/205
 D706,241 S * 6/2014 Szymanski et al. D14/205
 D706,242 S * 6/2014 Yang D14/205
 D707,653 S * 6/2014 Hardi D14/205
 D715,255 S * 10/2014 Nunez et al. D14/205
 2007/0165899 A1 * 7/2007 Garin 381/377
 2008/0069391 A1 3/2008 Steyn et al.
 2009/0103762 A1 4/2009 Ishida et al.

* cited by examiner

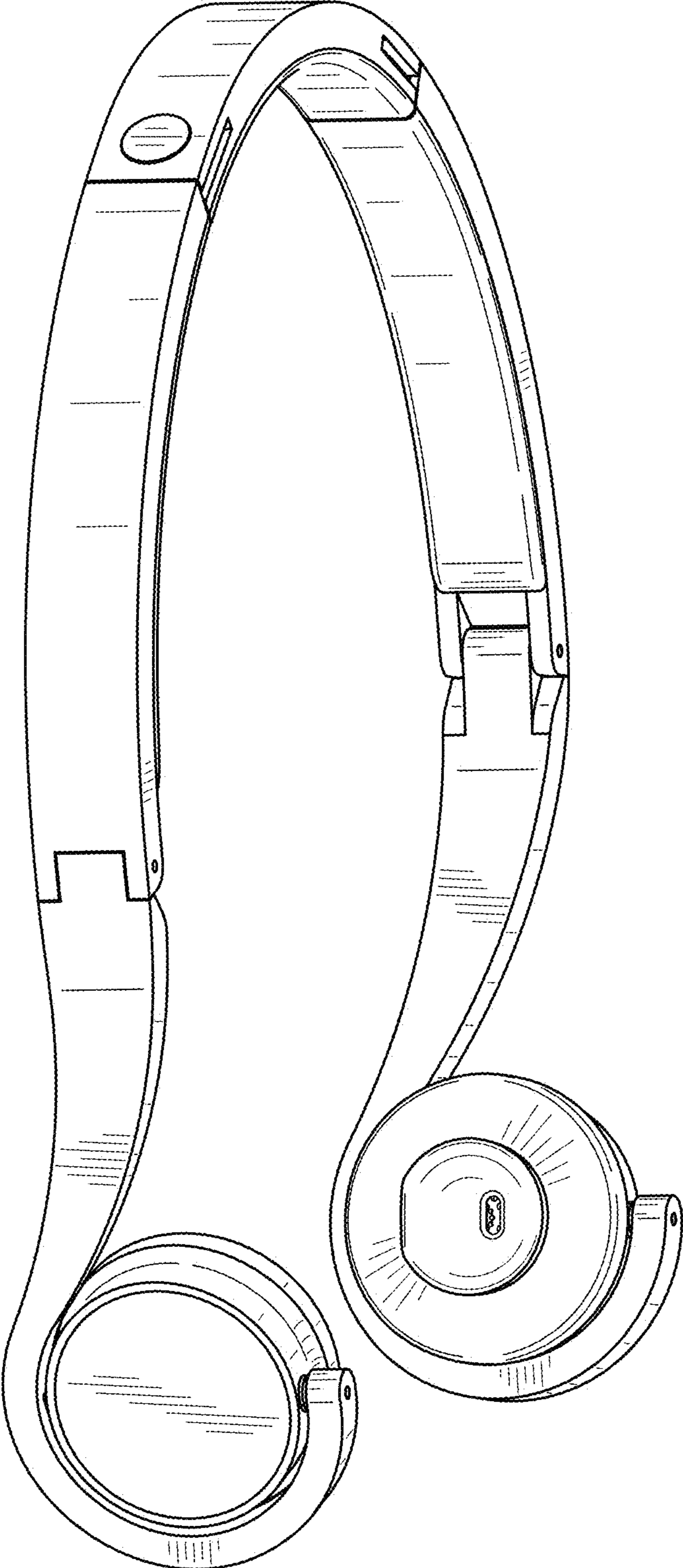


FIG. 1

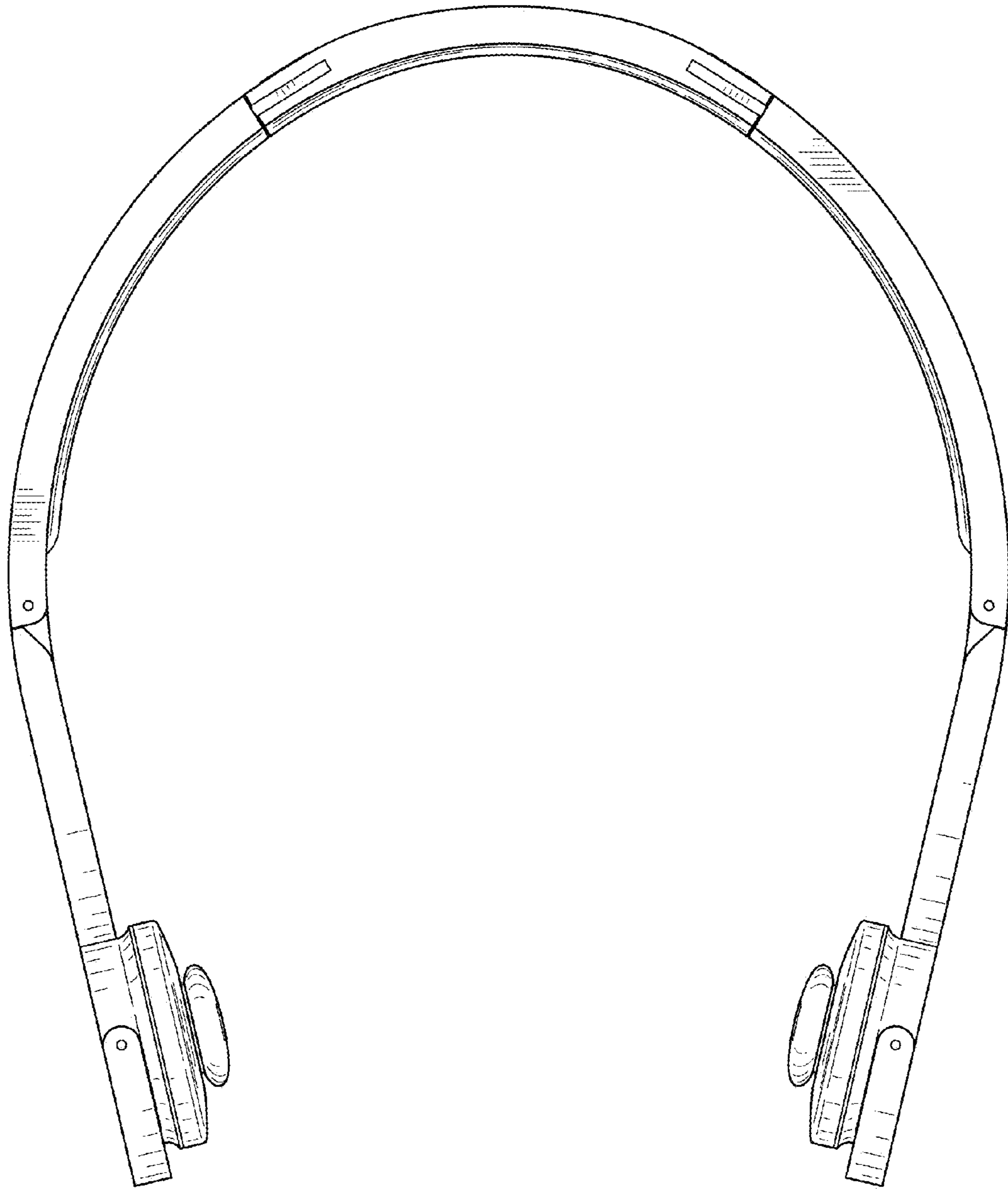


FIG. 2

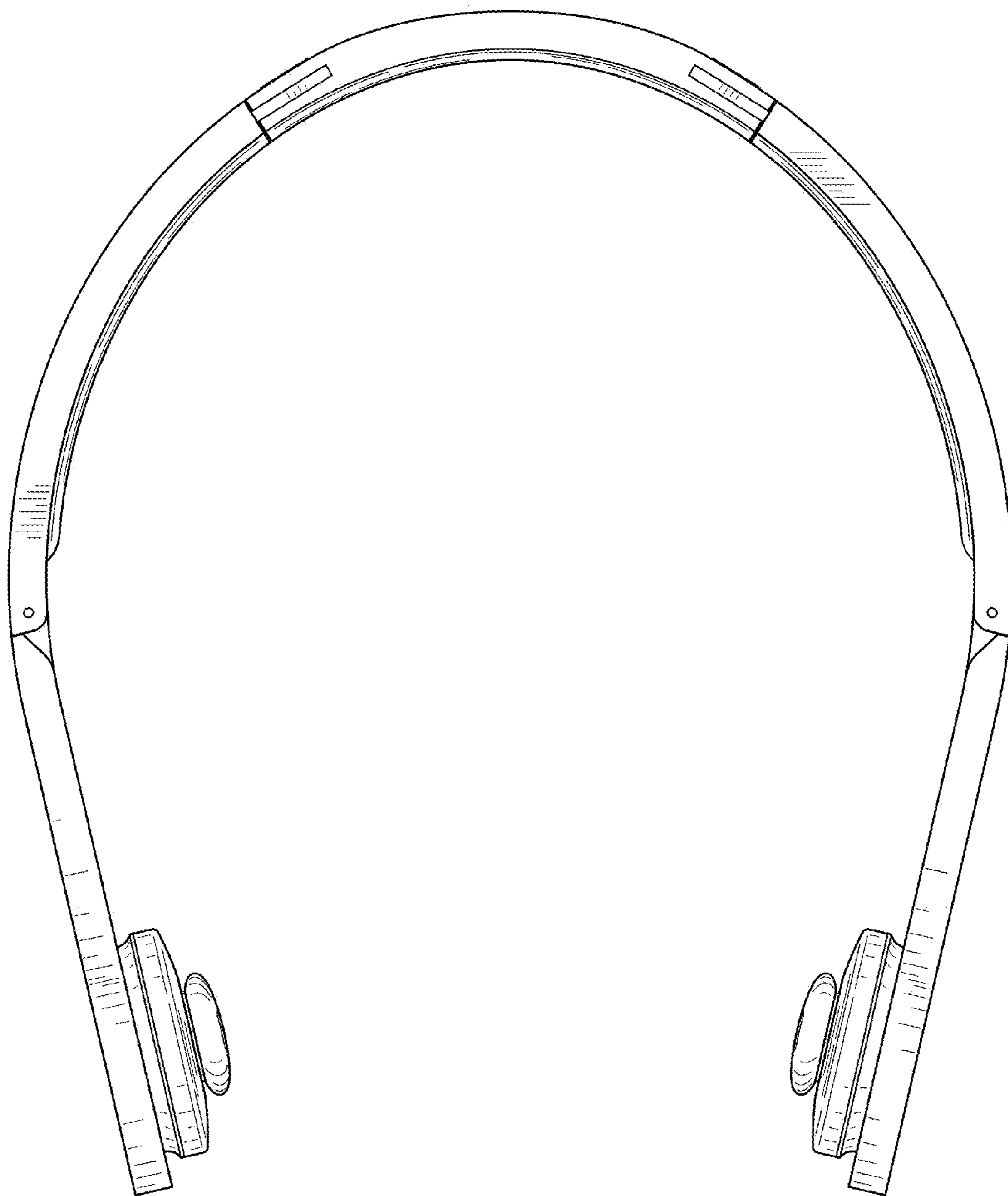


FIG. 3

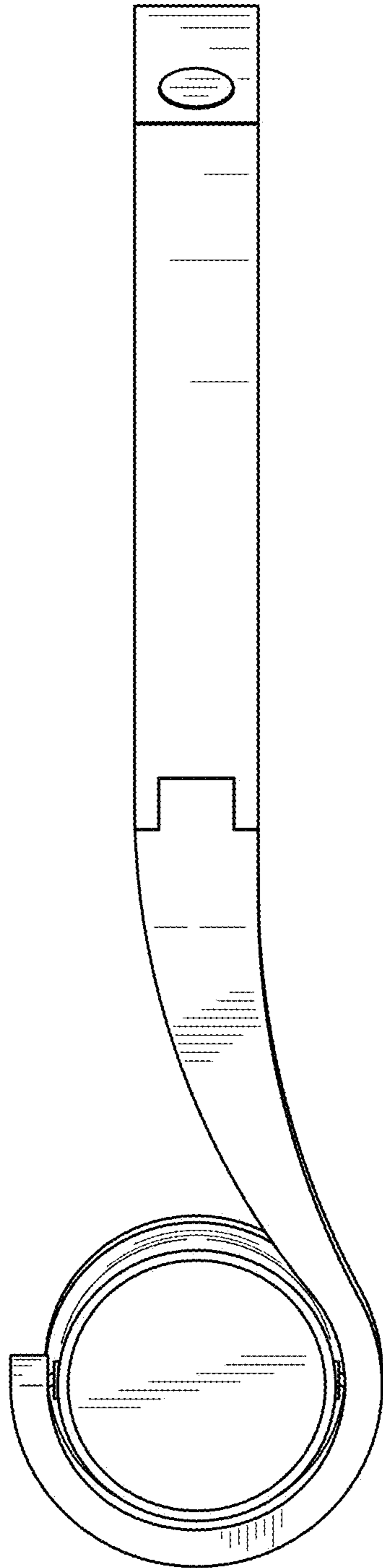


FIG. 4

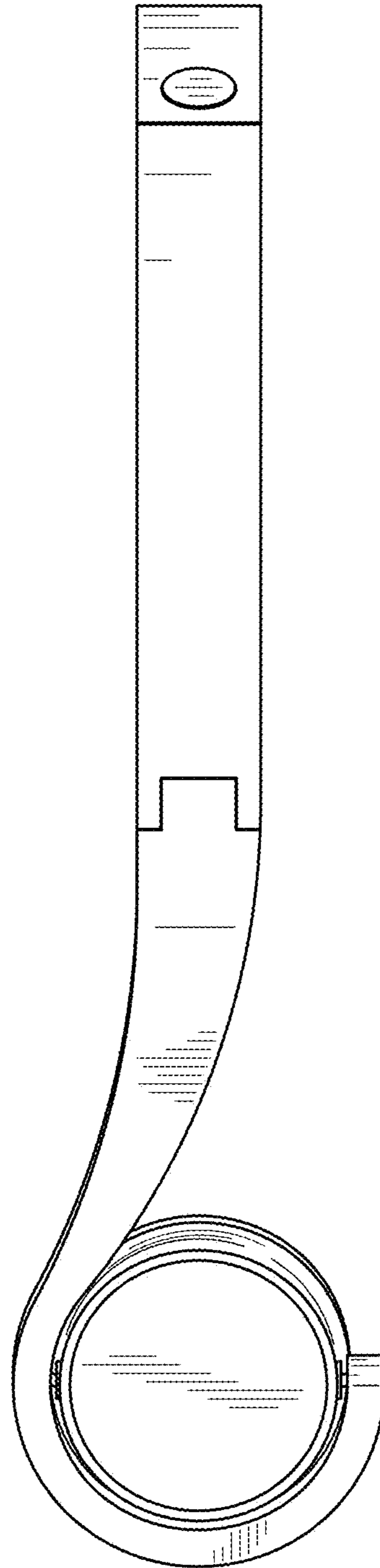


FIG. 5

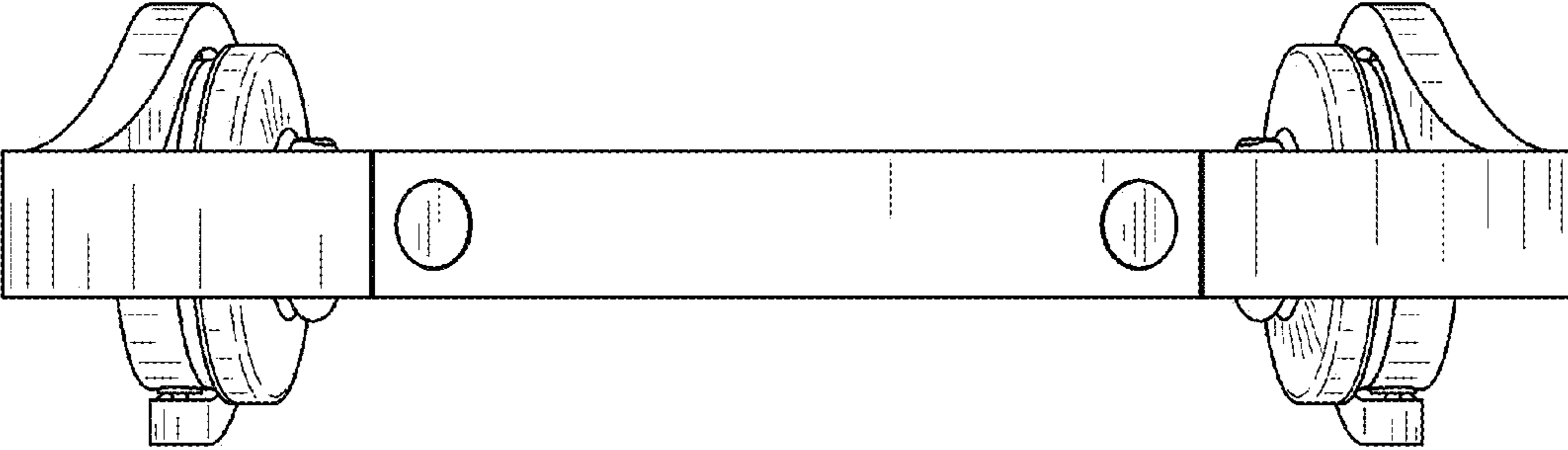


FIG. 6

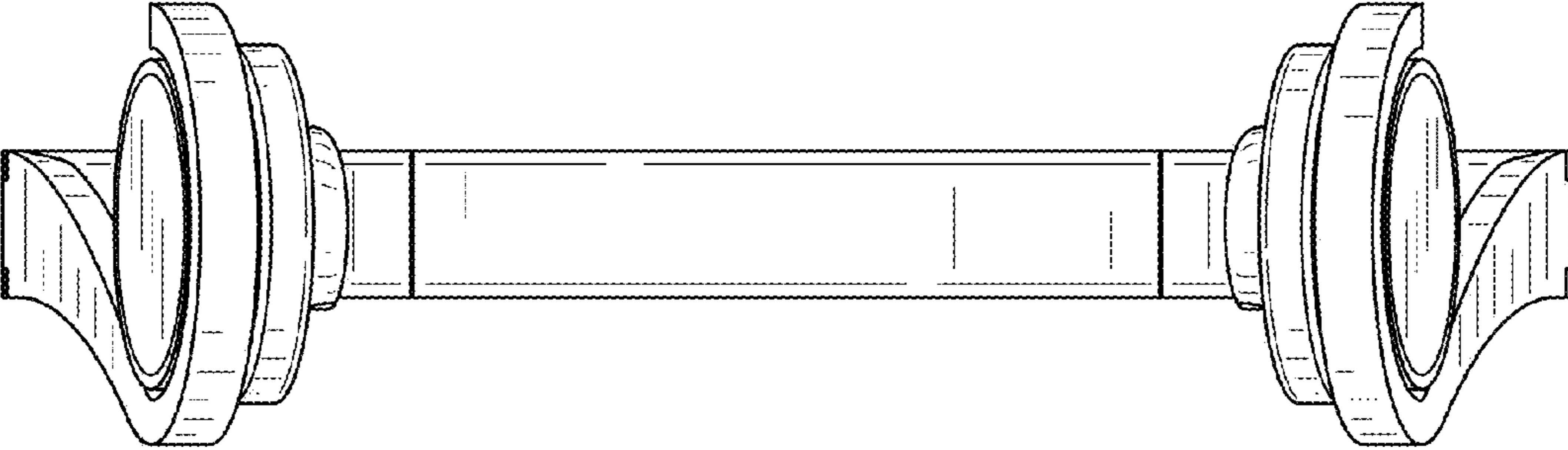


FIG. 7