



US00D750584S

(12) **United States Design Patent**
Lee

(10) **Patent No.:** **US D750,584 S**
(45) **Date of Patent:** **** Mar. 1, 2016**

(54) **TV RECEIVER**

(71) Applicant: **LG Electronics Inc.**, Seoul (KR)

(72) Inventor: **Chul Lee**, Gyeonggi-do (KR)

(73) Assignee: **LG Electronics Inc.**, Seoul (KR)

(**) Term: **14 Years**

(21) Appl. No.: **29/495,543**

(22) Filed: **Jul. 2, 2014**

(30) **Foreign Application Priority Data**

Jan. 9, 2014 (KR) 30-2014-0001307

(51) **LOC (10) Cl.** **14-03**

(52) **U.S. Cl.**
USPC **D14/126**

(58) **Field of Classification Search**

USPC D14/125-134, 239, 371, 136, 374-377,
D14/440, 450, 448, 336, 342, 159; 312/7.2;
348/836, 838, 180, 184, 325, 739;
248/917-924, 465; 345/104, 133, 156,
345/168, 87, 173; D21/329, 515, 577, 622,
D21/333, 433, 448, 452, 450, 331, 505;
D10/15, 26; 446/484, 175, 356;
D6/477, 479, 300

CPC ... G06F 1/1601; G06F 1/1643; H05K 5/0004;
H05K 5/0017; H05K 5/02; H05K 5/0217

See application file for complete search history.

(56) **References Cited**

U.S. PATENT DOCUMENTS

D581,378 S *	11/2008	Chiu	D14/126
D682,232 S *	5/2013	Lee et al.	D14/126
D708,596 S *	7/2014	Park	D14/126
D716,244 S *	10/2014	Kim et al.	D14/126
D722,989 S *	2/2015	Park et al.	D14/126
D726,668 S *	4/2015	Yoo et al.	D14/126
D730,855 S *	6/2015	Kim et al.	D14/126
D731,450 S *	6/2015	Son et al.	D14/126
D735,152 S *	7/2015	Cha et al.	D14/126

* cited by examiner

Primary Examiner — Raphael Barkai

(74) *Attorney, Agent, or Firm* — Morgan, Lewis & Bockius LLP

(57) **CLAIM**

The ornamental design for a TV receiver, as shown and described.

DESCRIPTION

FIG. 1 is a front, right side, perspective view of a TV receiver showing my new design;
FIG. 2 is a front view thereof;
FIG. 3 is a rear view thereof;
FIG. 4 is a left side view thereof;
FIG. 5 is a right side view thereof;
FIG. 6 is a top view thereof; and,
FIG. 7 is a bottom view thereof.

1 Claim, 4 Drawing Sheets

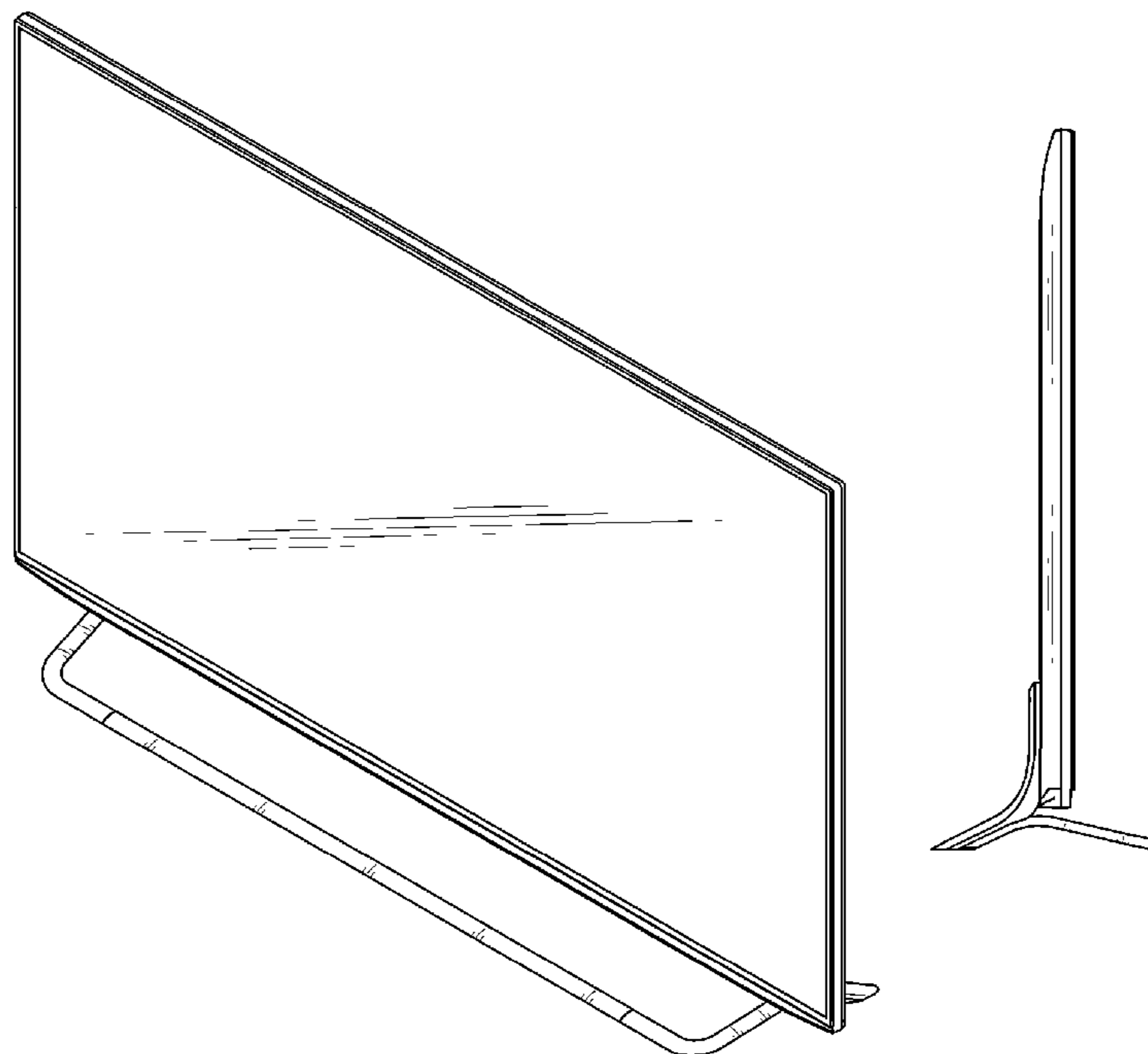


FIG. 1

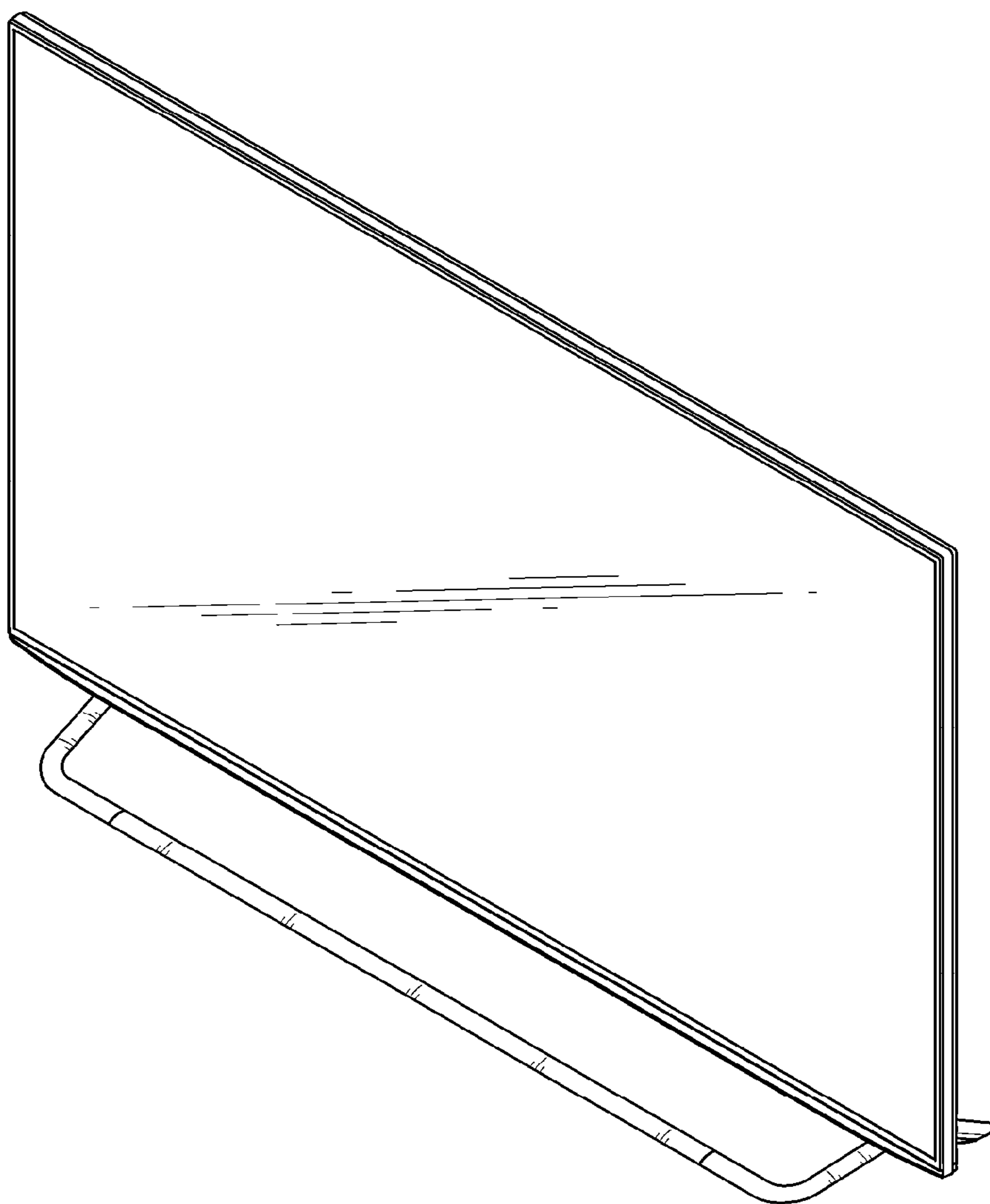


FIG. 2

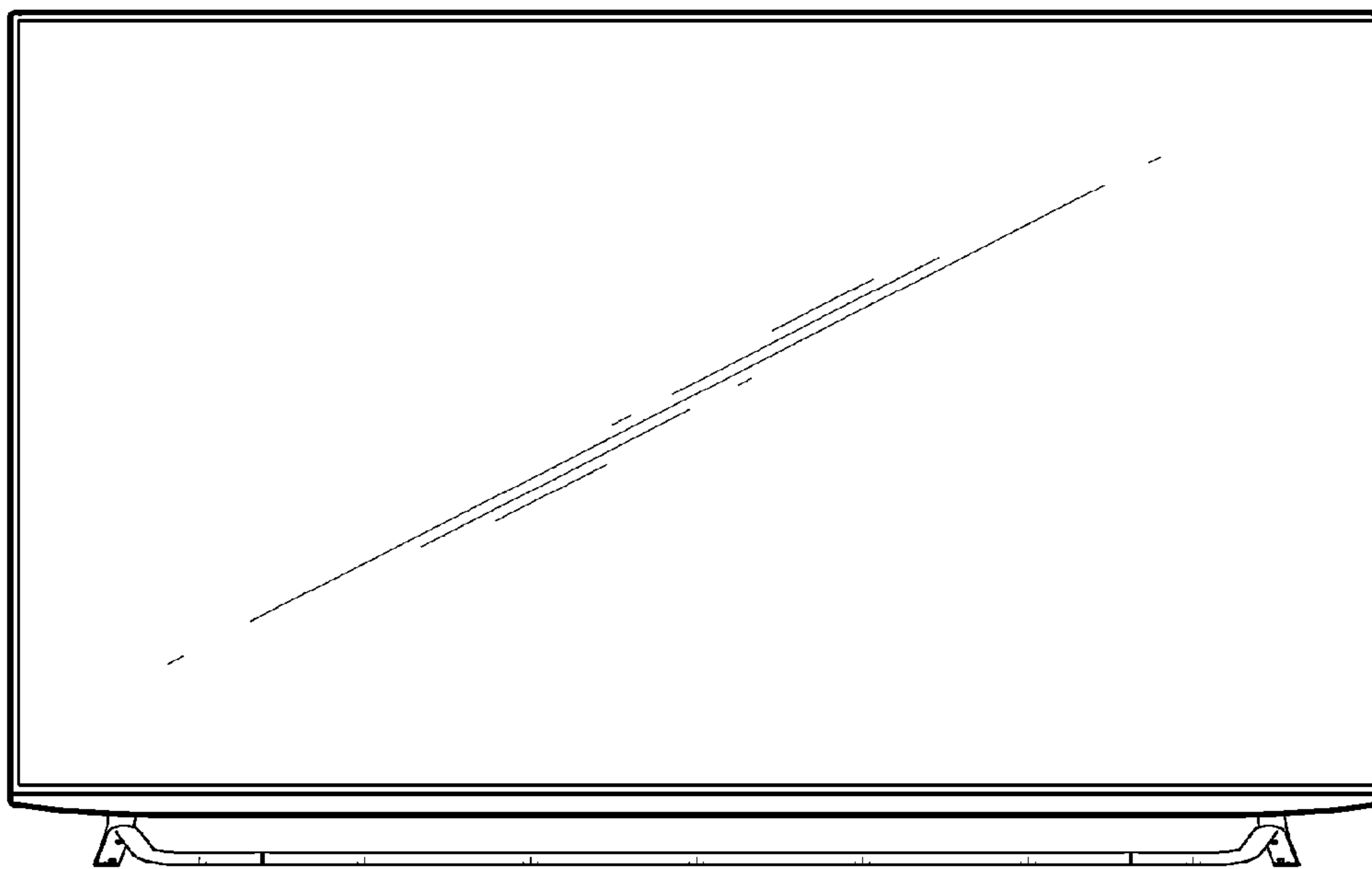


FIG. 3

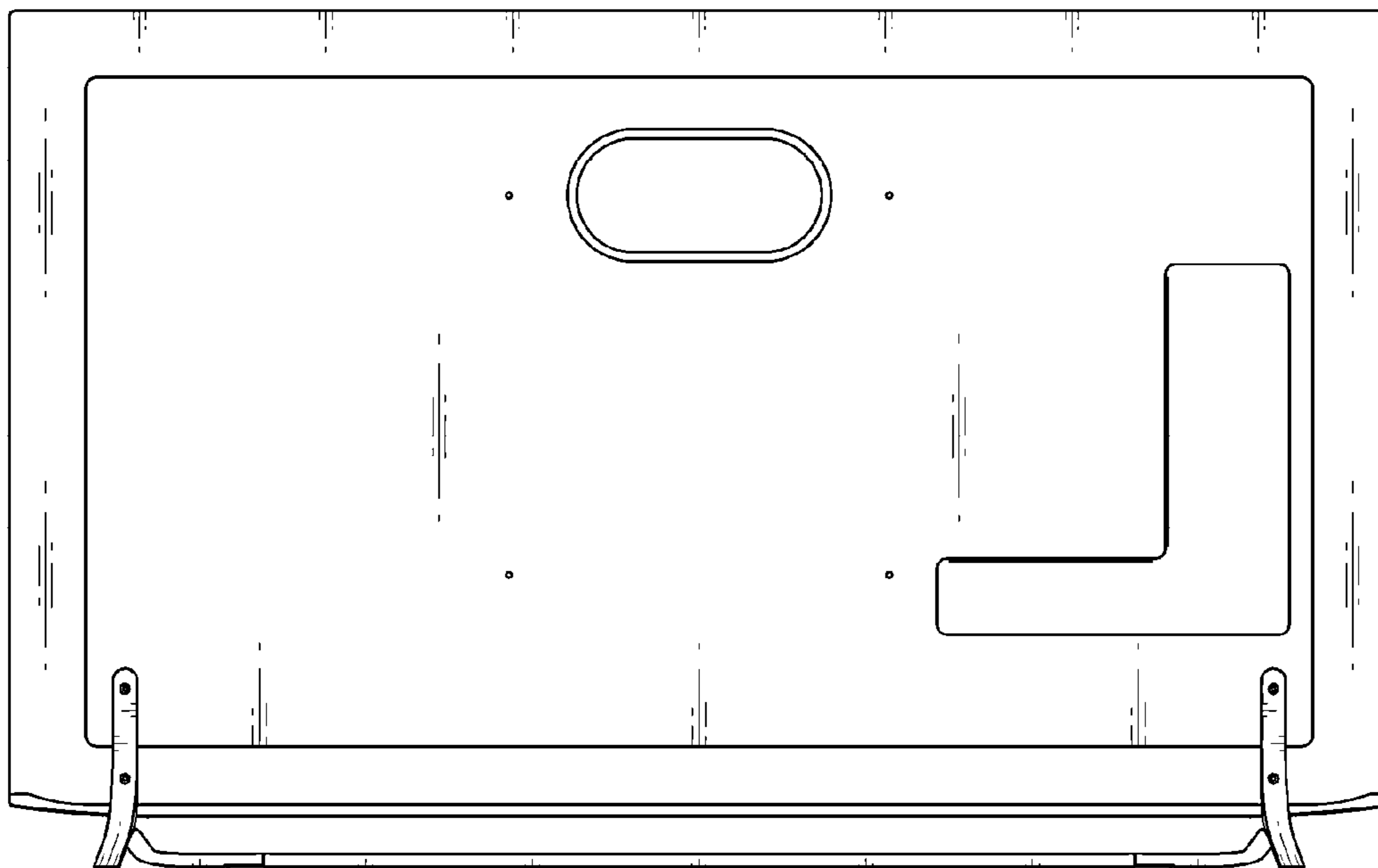


FIG. 4

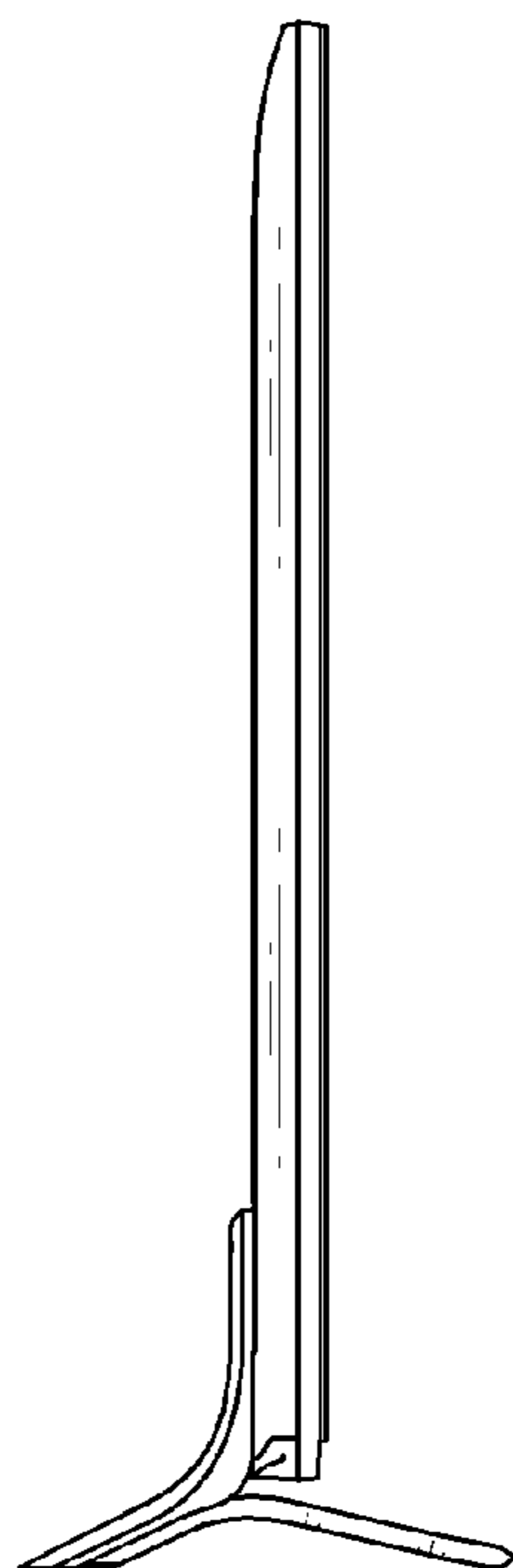


FIG. 5

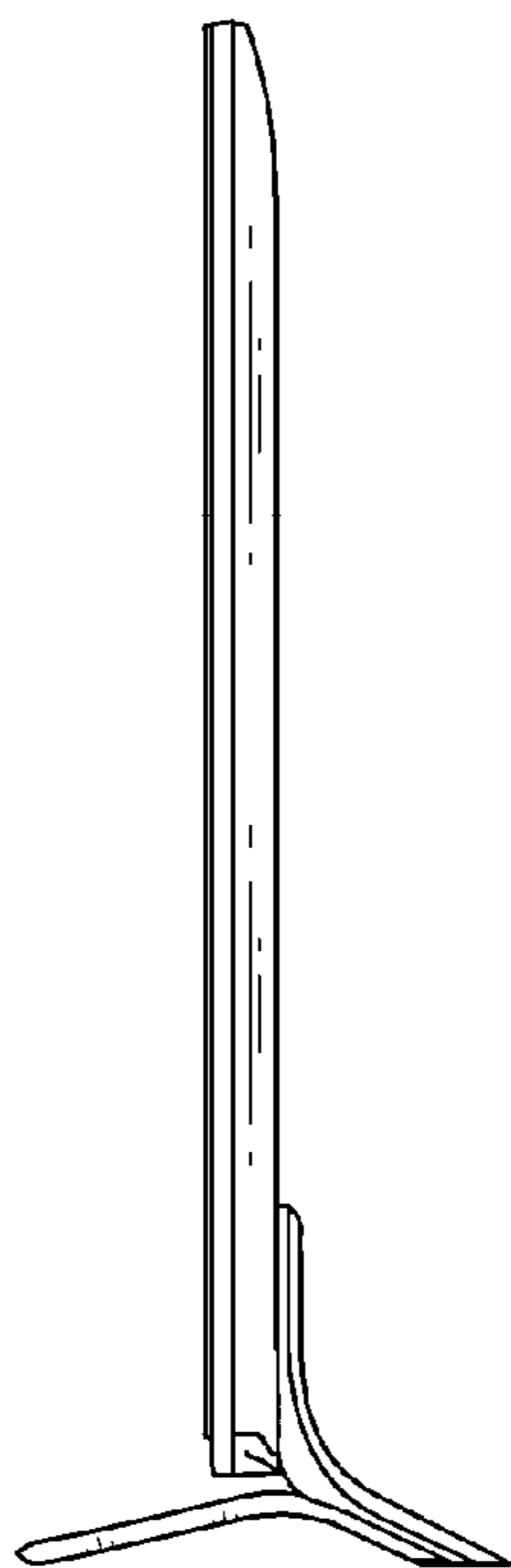


FIG. 6

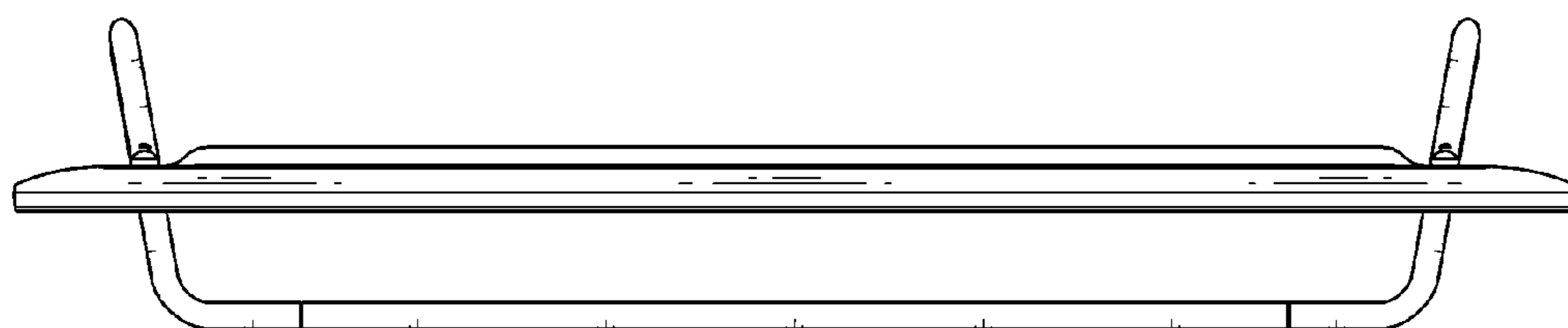


FIG. 7

