



US00D750582S

(12) **United States Design Patent**
Kim et al.

(10) **Patent No.:** **US D750,582 S**
(45) **Date of Patent:** **** Mar. 1, 2016**

(54) **TV RECEIVER**

(56) **References Cited**

(71) Applicant: **LG ELECTRONICS INC.**, Seoul (KR)

U.S. PATENT DOCUMENTS

(72) Inventors: **Hyoungwon Kim**, Seoul (KR); **Sunggu Joe**, Seoul (KR); **Hyuntae Ahn**, Seoul (KR)

D478,881	S	*	8/2003	O'Leary et al.	D14/130
D489,043	S	*	4/2004	Campbell et al.	D14/130
D543,960	S	*	6/2007	Bloem	D14/126
7,681,848	B2	*	3/2010	Choi	248/917
D634,722	S	*	3/2011	Kim et al.	D14/126
D665,760	S	*	8/2012	Chiu	D14/126
D695,245	S	*	12/2013	Hara et al.	D14/126
D698,794	S	*	2/2014	Li	D14/451
D703,168	S	*	4/2014	Won et al.	D14/126
D705,200	S	*	5/2014	Choi	D14/239
D708,157	S	*	7/2014	Park	D14/126
D708,596	S	*	7/2014	Park	D14/126
D719,119	S	*	12/2014	Park et al.	D14/126

(73) Assignee: **LG Electronics Inc.**, Seoul (KR)

(**) Term: **14 Years**

(21) Appl. No.: **29/468,777**

* cited by examiner

(22) Filed: **Oct. 3, 2013**

Primary Examiner — Susan Bennett Hattan

(30) **Foreign Application Priority Data**

Assistant Examiner — Brett Miller

Apr. 30, 2013 (KR) 30-2013-0022910

(74) *Attorney, Agent, or Firm* — Morgan, Lewis & Bockius LLP

(51) **LOC (10) Cl.** **14-03**

(57) **CLAIM**

(52) **U.S. Cl.**

The ornamental design for a TV receiver, as shown and described.

USPC **D14/126**

DESCRIPTION

(58) **Field of Classification Search**

USPC D14/371-382, 125-134, 239, 448-452,
D14/136, 341, 479, 389, 397, 308, 412, 157,
D14/155, 511; 361/679.02; 348/836, 838,
348/180, 184, 325, 739; 248/917-924, 465;
345/104; D6/300, 301, 302, 308,
D6/310-314

FIG. 1 is a front, right side, perspective view of a TV receiver showing our new design;
FIG. 2 is a front view thereof;
FIG. 3 is a rear view thereof;
FIG. 4 is a left side view thereof;
FIG. 5 is a right side view thereof;
FIG. 6 is a top view thereof;
FIG. 7 is a bottom view thereof; and,
FIG. 8 is a rear perspective view thereof.

CPC G01F 1/1601

See application file for complete search history.

1 Claim, 7 Drawing Sheets

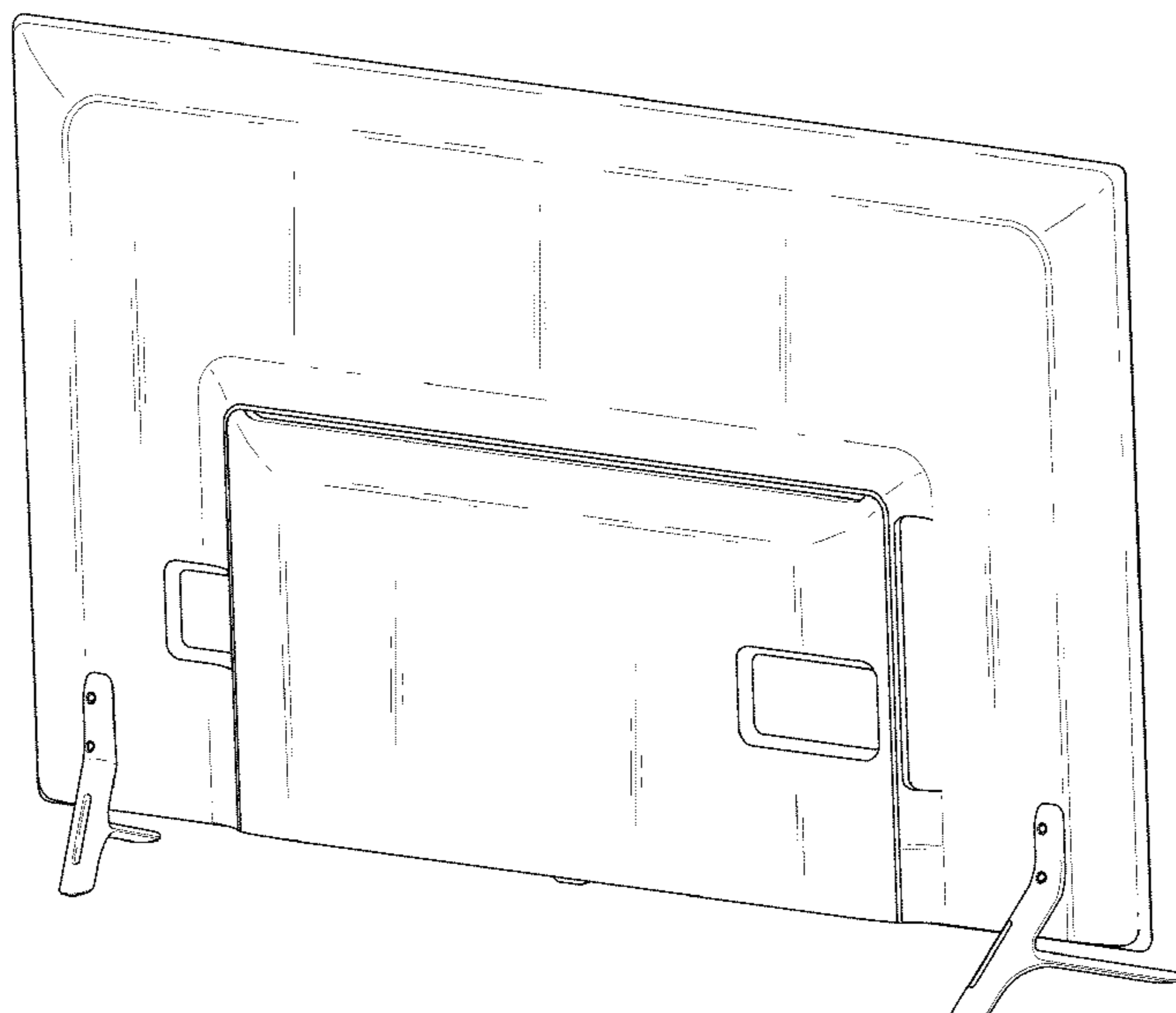


FIG. 1

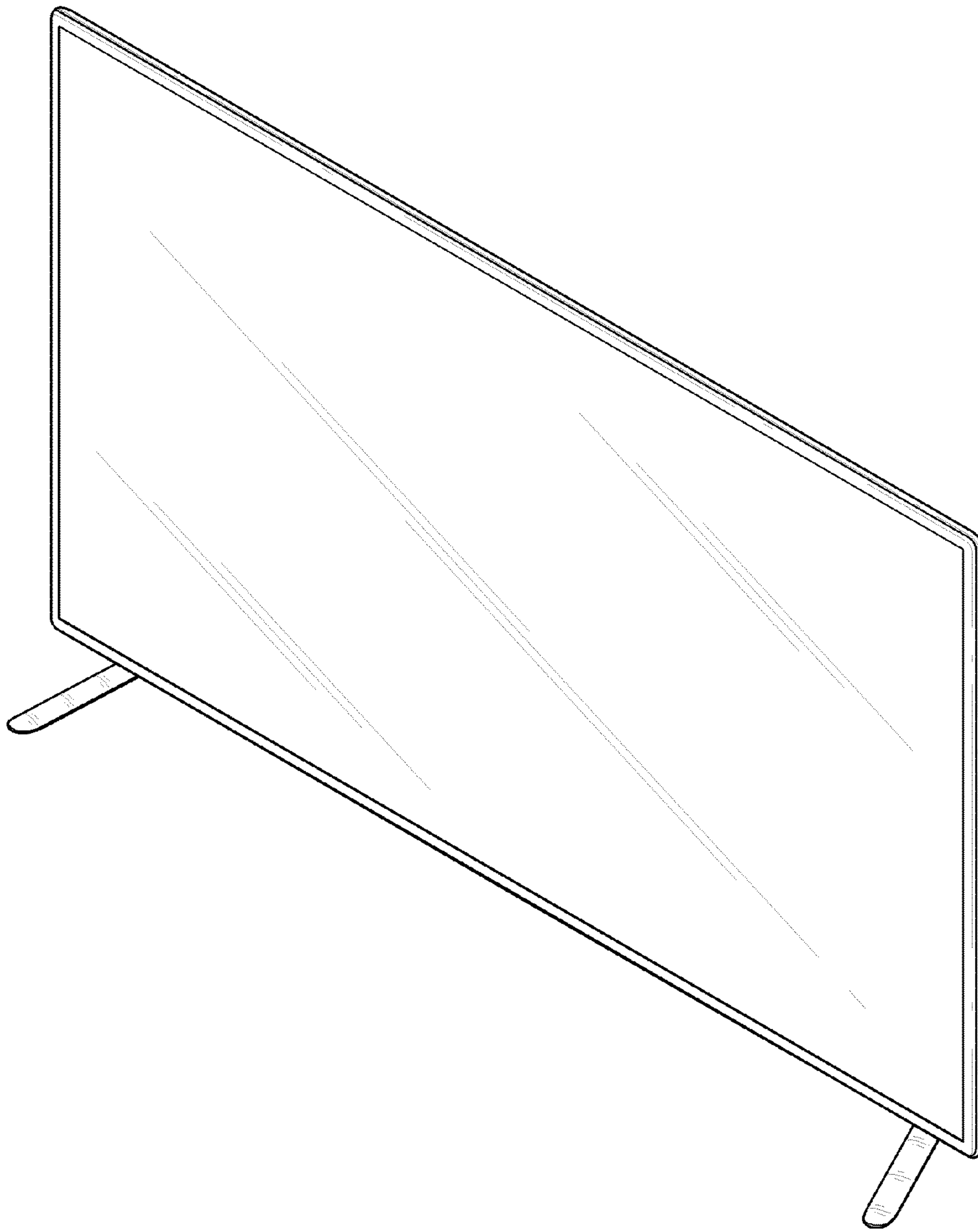


FIG. 2

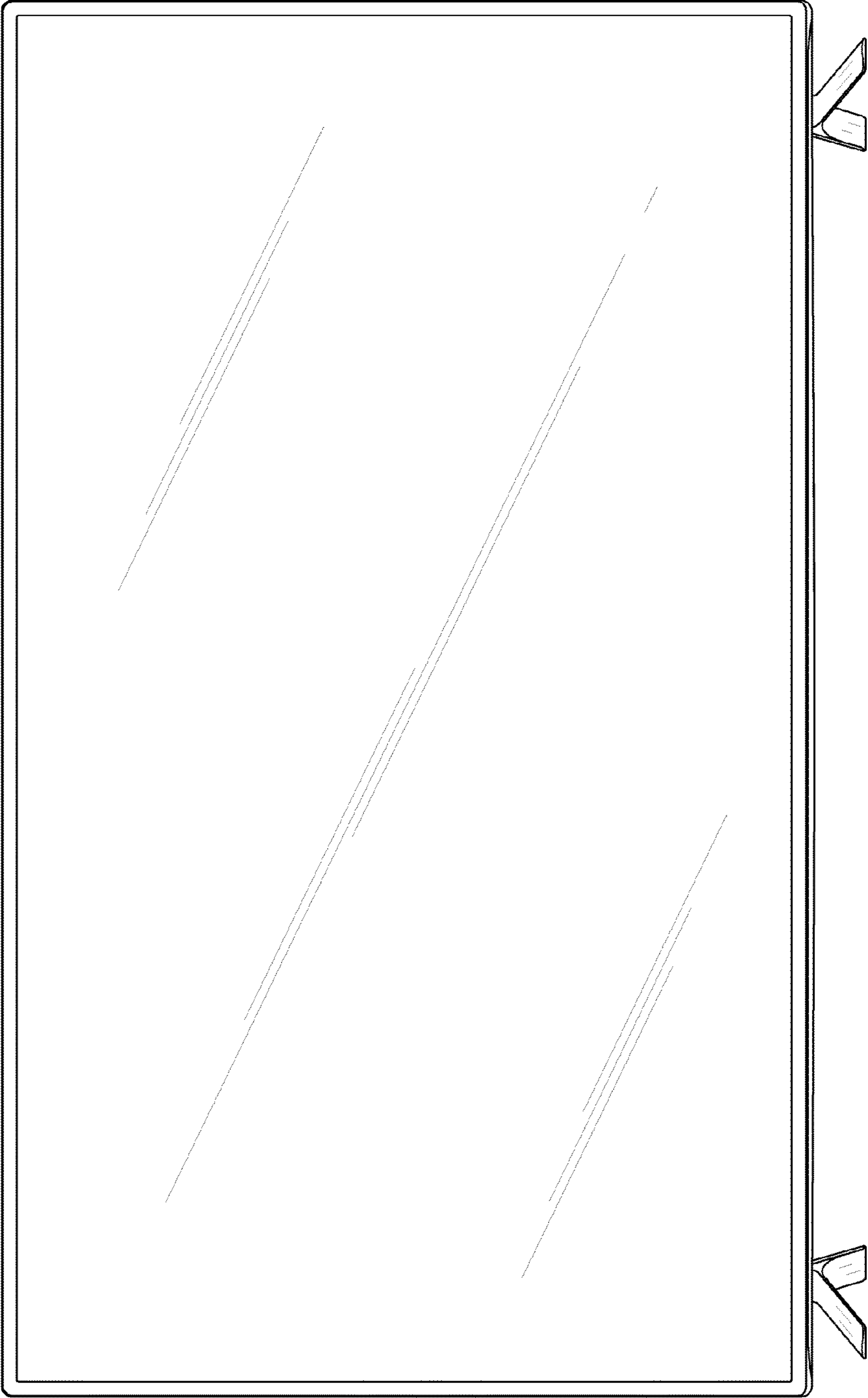


FIG. 3

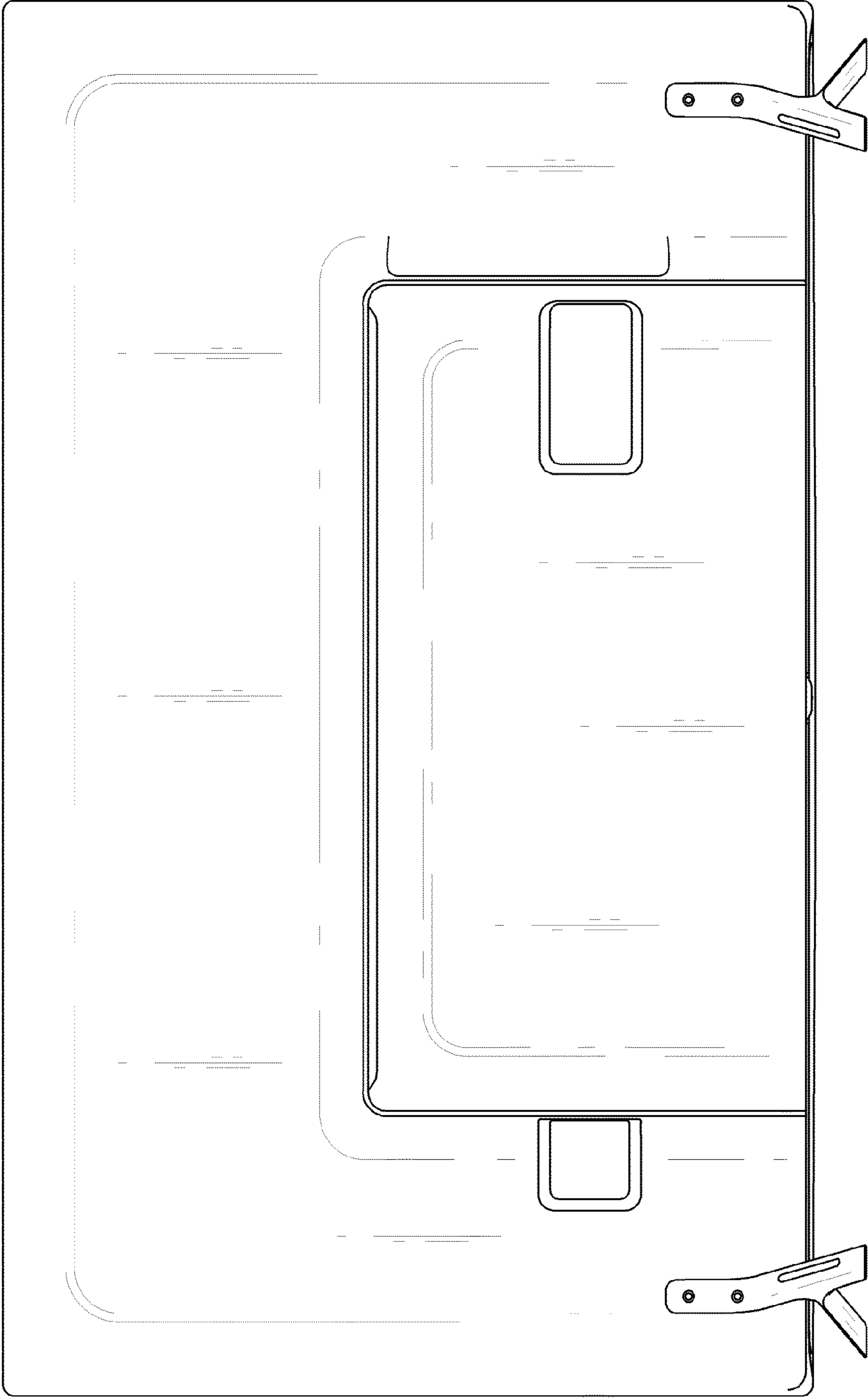


FIG. 4

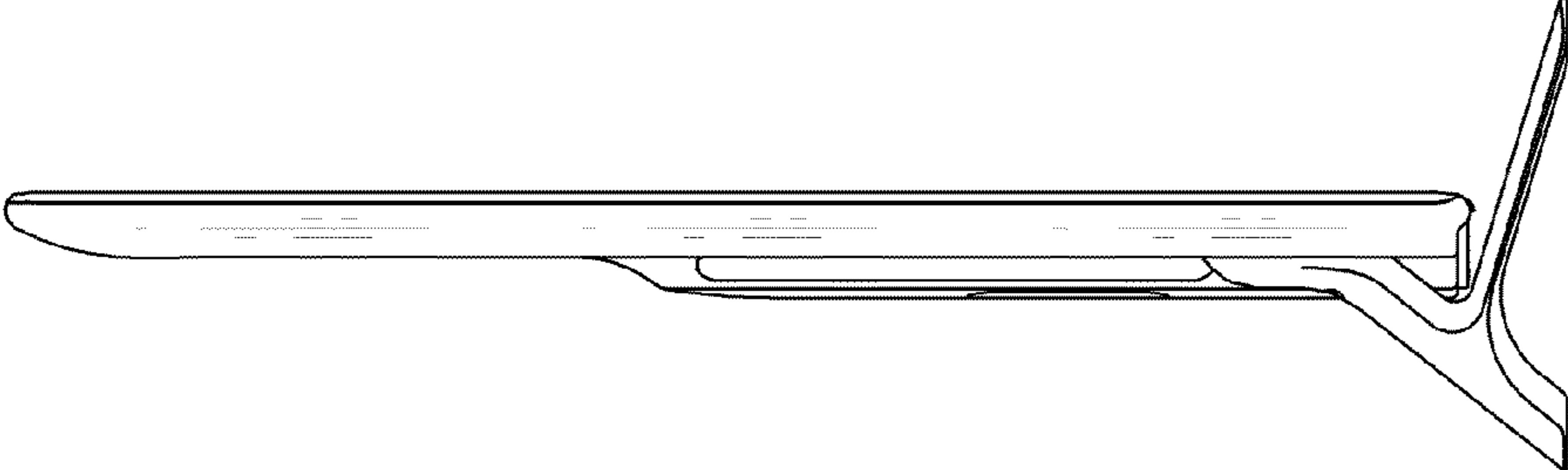


FIG. 5

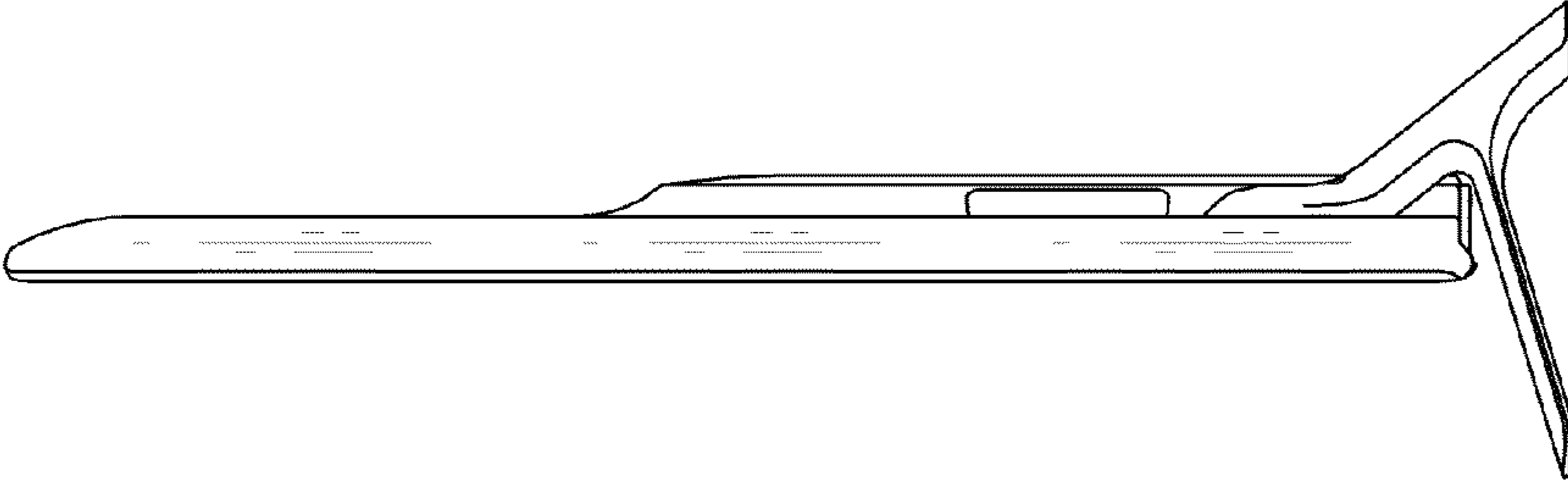


FIG. 6

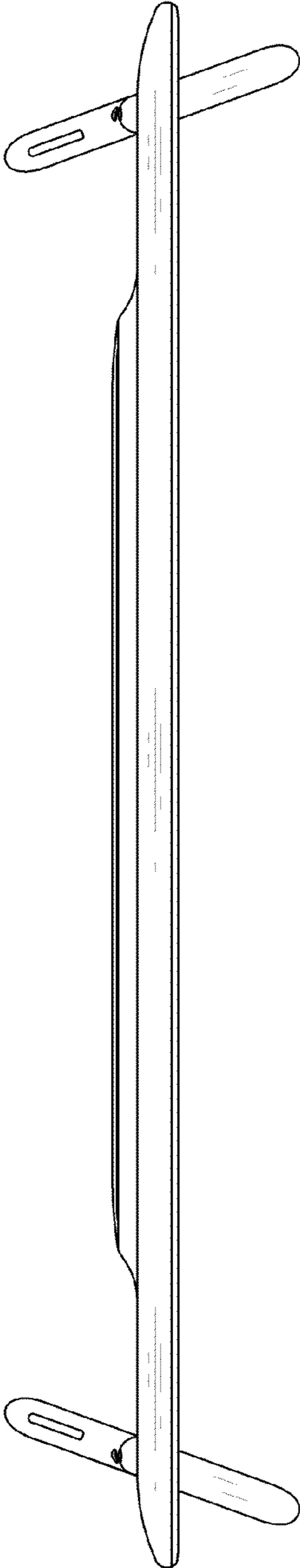
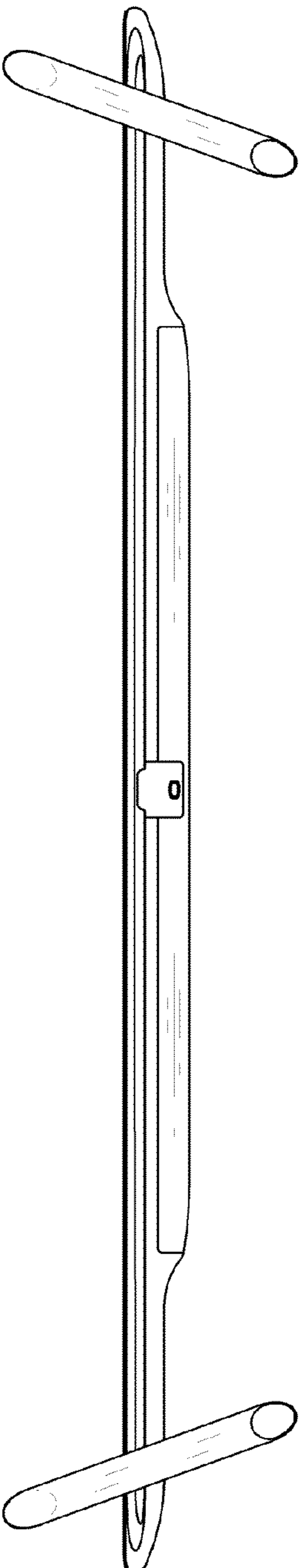


FIG. 7



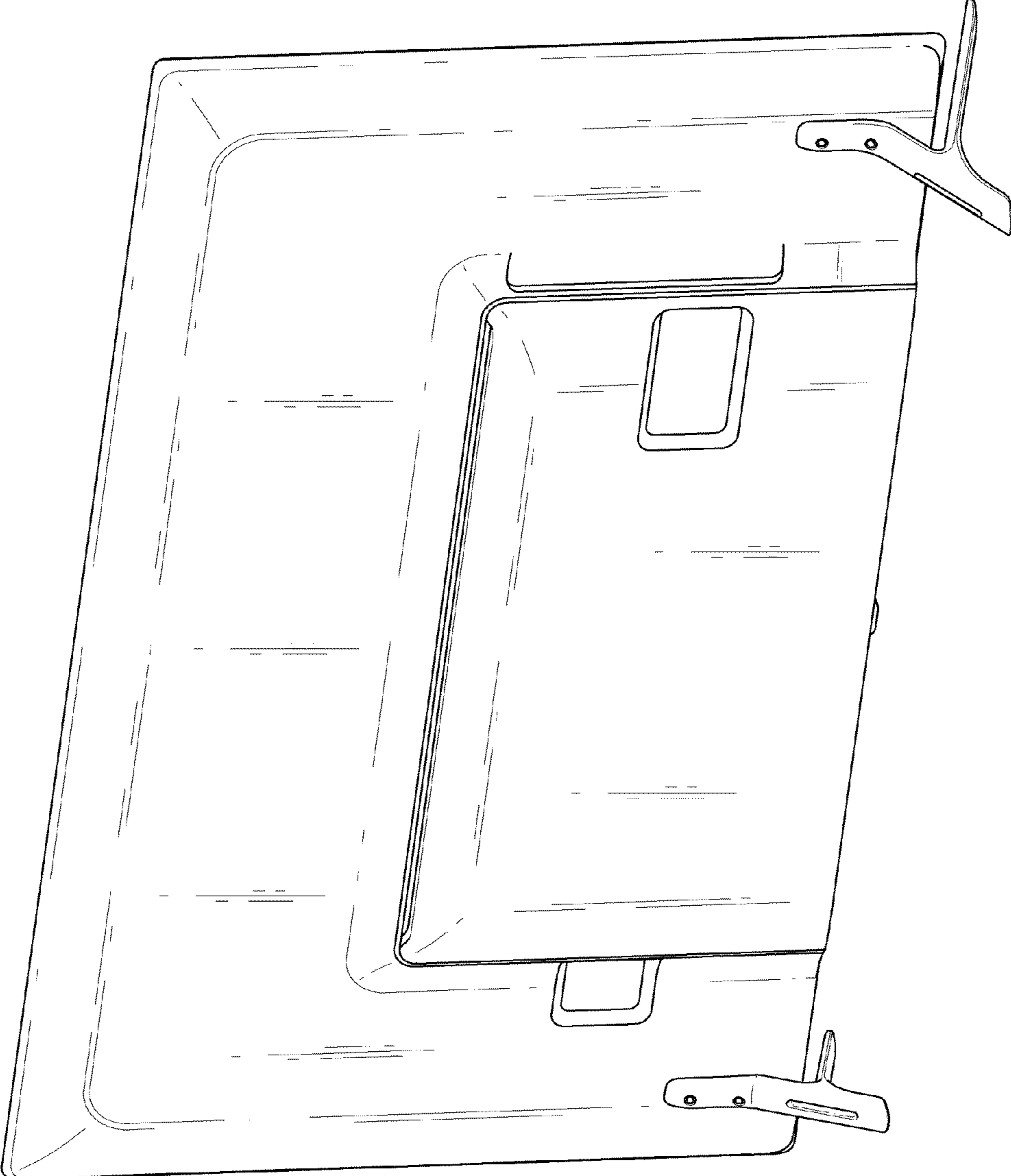


FIG. 8