



US00D750580S

(12) **United States Design Patent**
Yeh et al.

(10) **Patent No.:** **US D750,580 S**
(45) **Date of Patent:** **** Mar. 1, 2016**

(54) **LIGHT-EMITTING DIODE ARRAY**

(71) Applicant: **EPISTAR CORPORATION**, Hsinchu (TW)

(72) Inventors: **Hui-Chun Yeh**, Hsinchu (TW);
Chien-Fu Shen, Hsinchu (TW);
Tsun-Kai Ko, Hsinchu (TW)

(73) Assignee: **Epistar Corporation**, Hsinchu (TW)

(**) Term: **14 Years**

(21) Appl. No.: **29/507,772**

(22) Filed: **Oct. 30, 2014**

(51) **LOC (10) Cl.** **13-03**

(52) **U.S. Cl.**
USPC **D13/180**

(58) **Field of Classification Search**
USPC D13/180; D26/1
CPC ... H01L 25/167; H01L 25/0753; H01L 27/15;
H01L 27/156; H01L 31/02; H01L 33/00;
H01L 33/04; H01L 33/08; H01L 33/10;
H01L 33/20; H01L 33/38; H01L 33/42;
H01L 33/483; H01L 33/4868
See application file for complete search history.

(56) **References Cited**

U.S. PATENT DOCUMENTS

D579,019	S	*	10/2008	Lei et al.	D14/435
7,947,996	B2	*	5/2011	Sakamoto et al.	257/98
D647,493	S	*	10/2011	Chang et al.	D13/180
D647,494	S	*	10/2011	Chang et al.	D13/180
D647,495	S	*	10/2011	Chang et al.	D13/180
8,188,504	B2	*	5/2012	Lee	257/99
8,319,233	B2	*	11/2012	Beom et al.	257/88
D681,569	S	*	5/2013	Yeh et al.	D13/180
D684,550	S	*	6/2013	Yeh et al.	D13/180
8,471,242	B2	*	6/2013	Kim et al.	257/13

D695,699	S	*	12/2013	Shih	D13/180
D697,490	S	*	1/2014	Yeh et al.	D13/180
D716,238	S	*	10/2014	Yeh et al.	D13/180
2006/0163604	A1	*	7/2006	Shin et al.	257/103
2011/0140160	A1	*	6/2011	Kim et al.	257/99
2013/0020599	A1	*	1/2013	Han et al.	257/98

* cited by examiner

Primary Examiner — Selina Sikder

(74) *Attorney, Agent, or Firm* — Muncy, Geissler, Olds & Lowe, P.C.

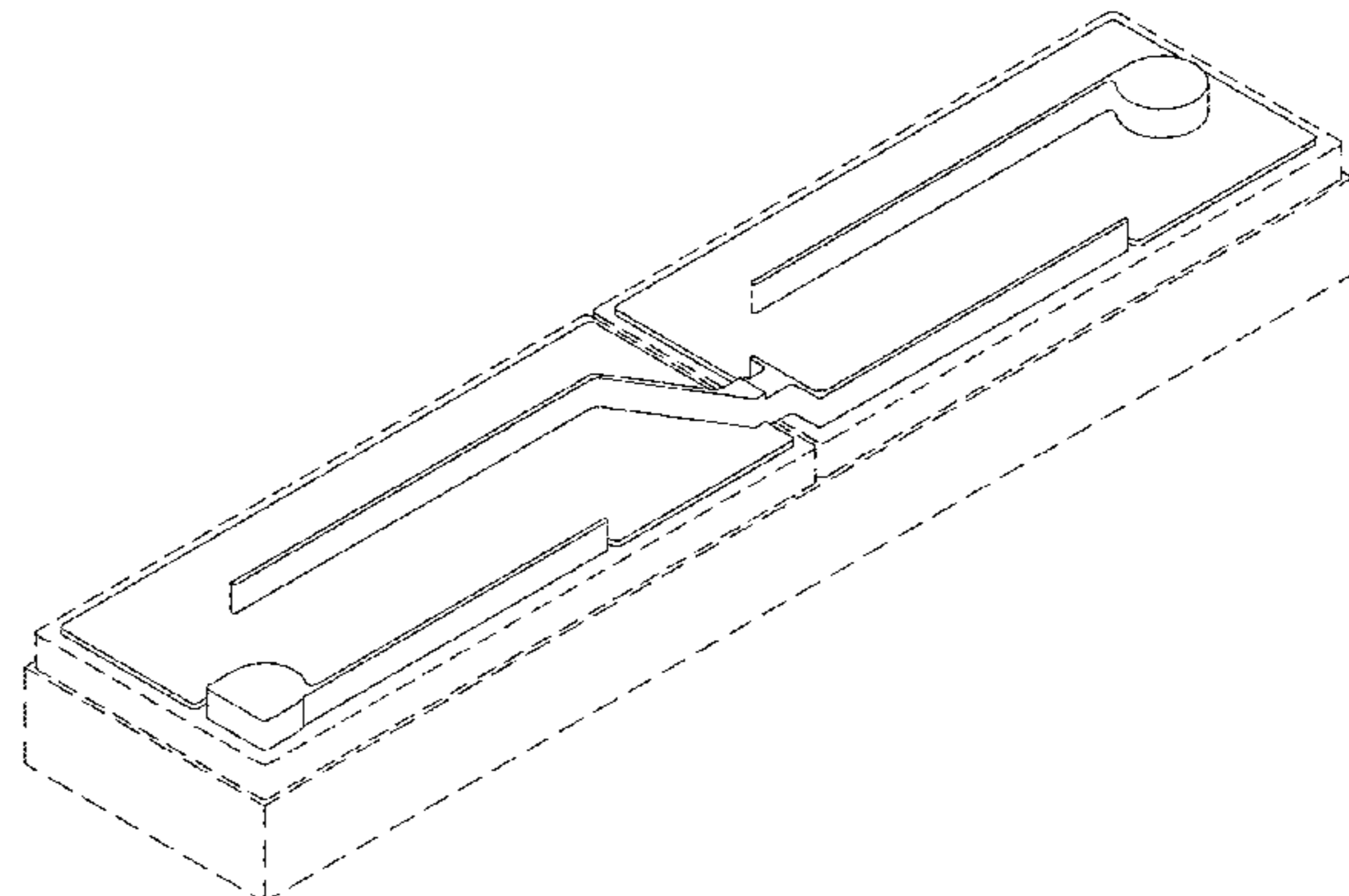
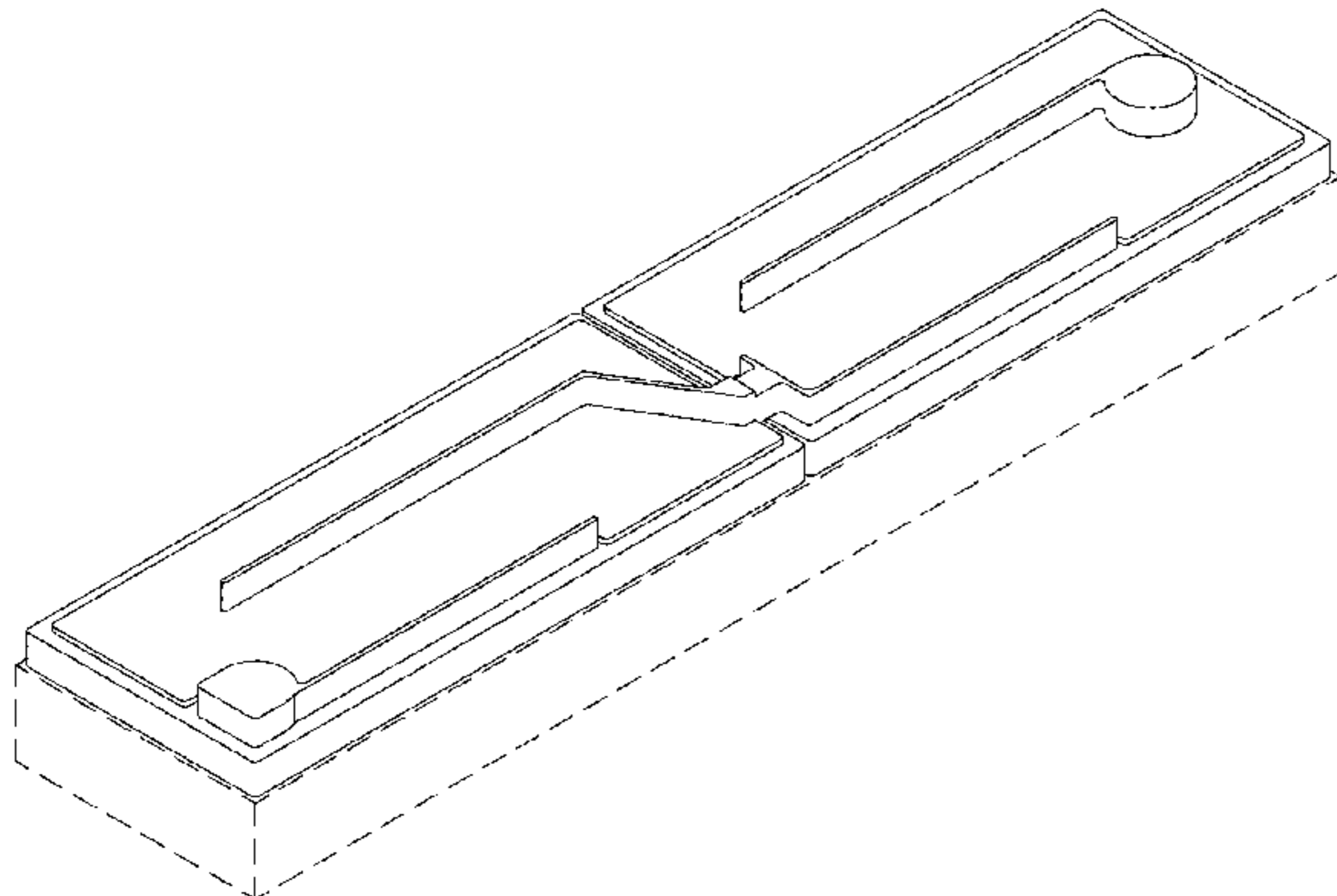
(57) **CLAIM**

The ornamental design for a light-emitting diode array, as shown and described.

DESCRIPTION

FIG. 1 is a perspective view of a light-emitting diode array showing our first example of the new design; FIG. 2 is another perspective view thereof; FIG. 3 is a front elevational view thereof; FIG. 4 is a rear elevational view thereof; FIG. 5 is a left side view thereof; FIG. 6 is a right side view thereof; FIG. 7 is a top plan view thereof; FIG. 8 is a bottom plan view thereof; FIG. 9 is a perspective view of a light-emitting diode array showing our second example of the new design; FIG. 10 is another perspective view thereof; FIG. 11 is a front elevational view thereof; FIG. 12 is a rear elevational view thereof; FIG. 13 is a left side view thereof; FIG. 14 is a right side view thereof; FIG. 15 is a top plan view thereof; and, FIG. 16 is a bottom plan view thereof. The broken line showing is for the purpose of illustrating environmental structure only and forms no part of the claimed design.

1 Claim, 12 Drawing Sheets



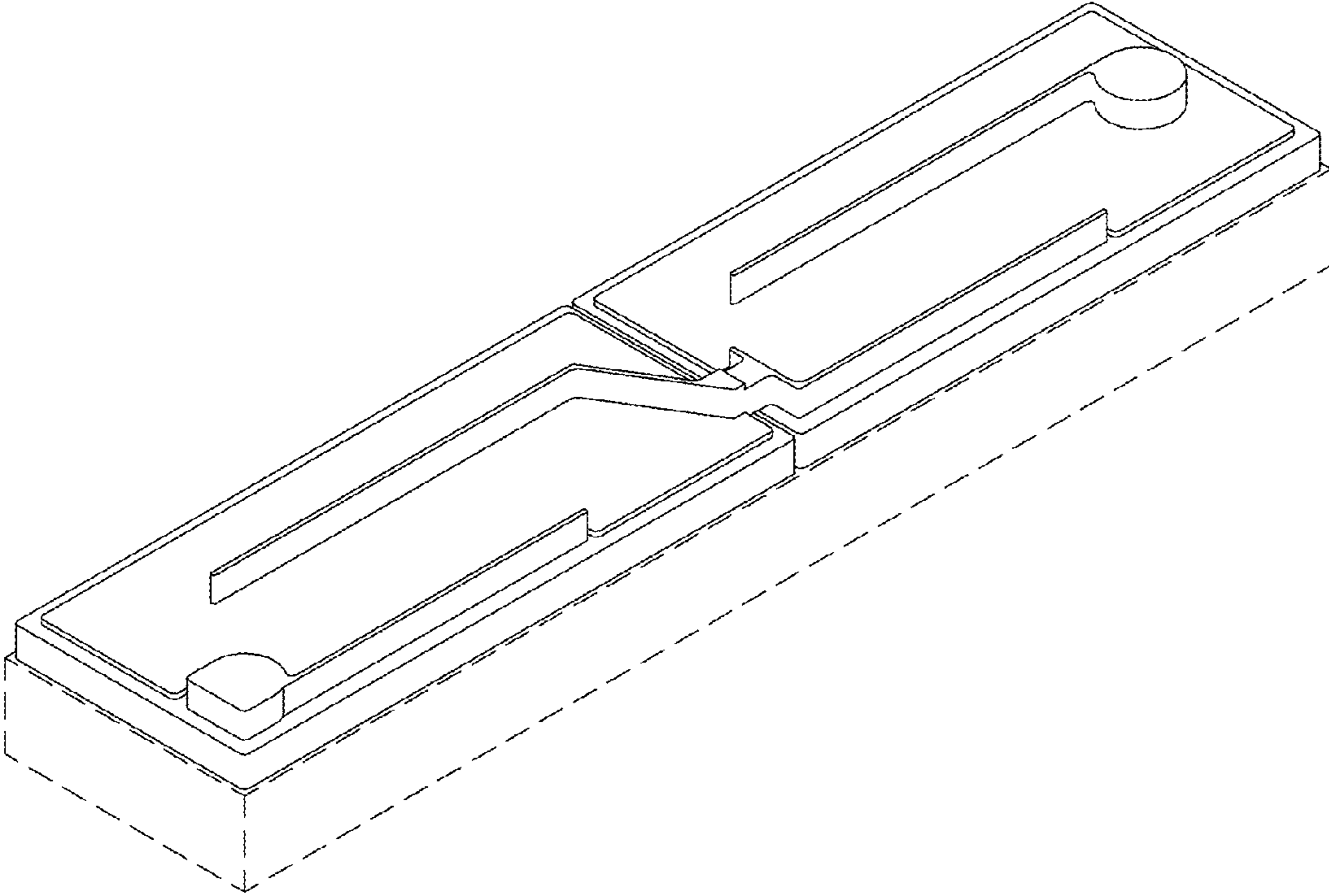


FIG. 1

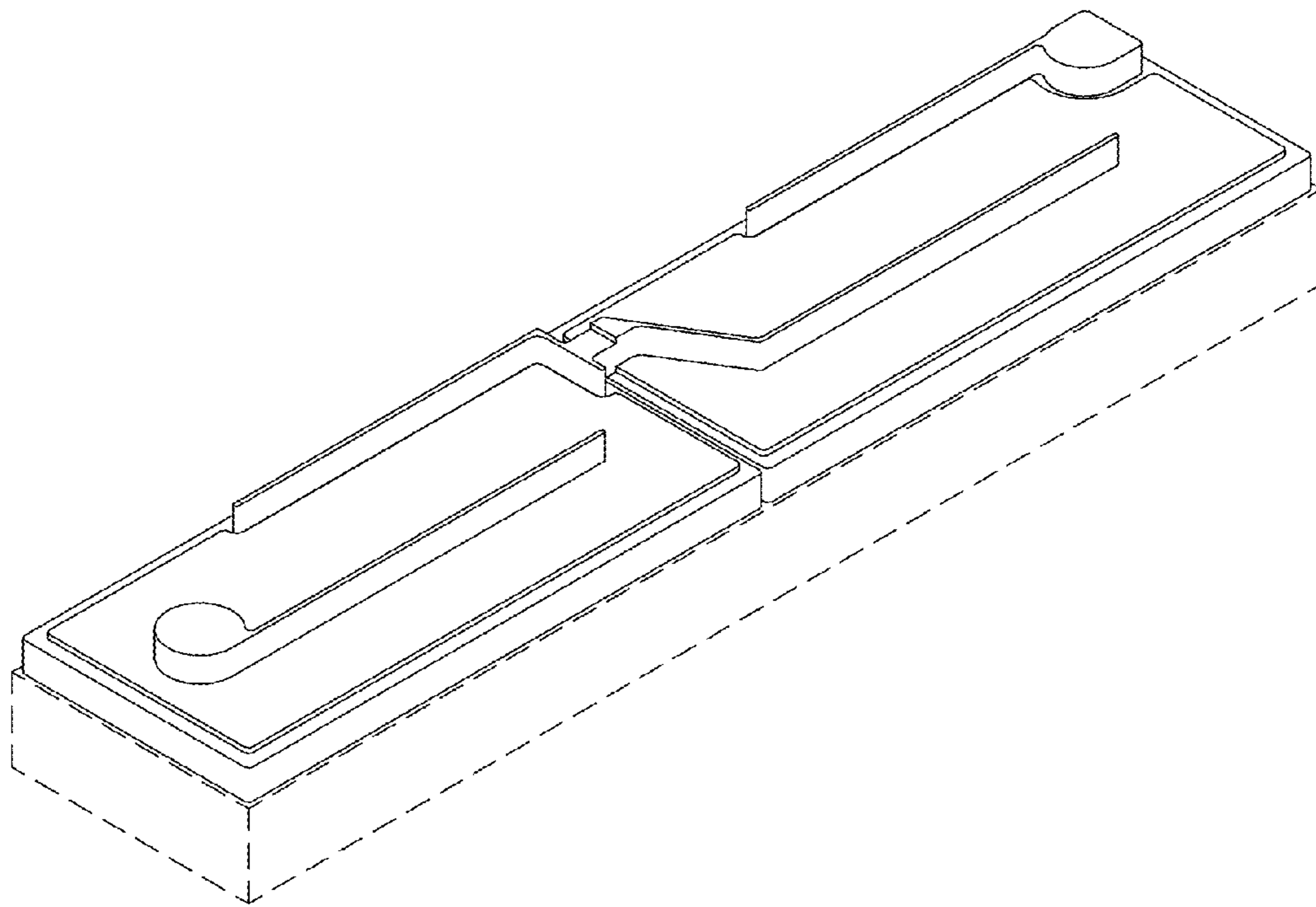


FIG. 2

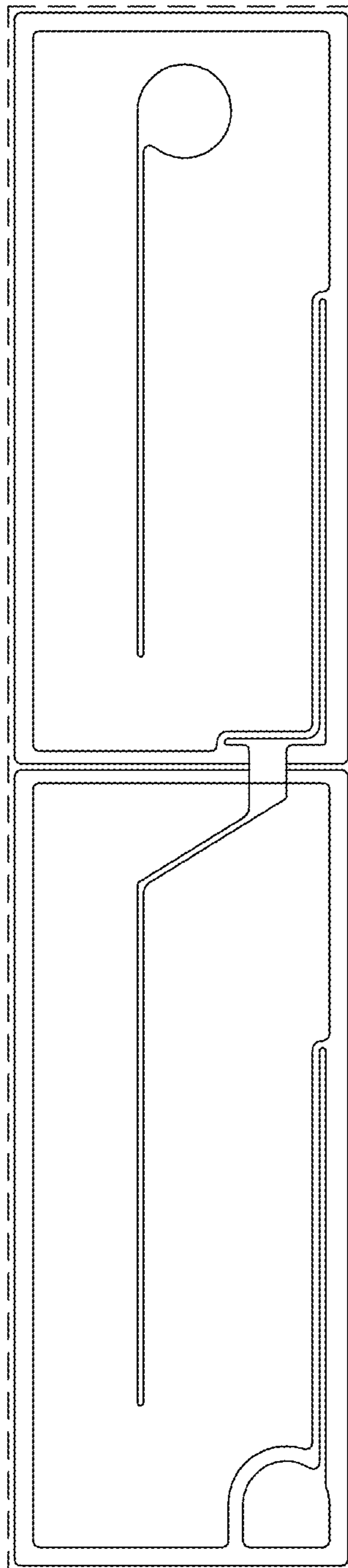


FIG. 3

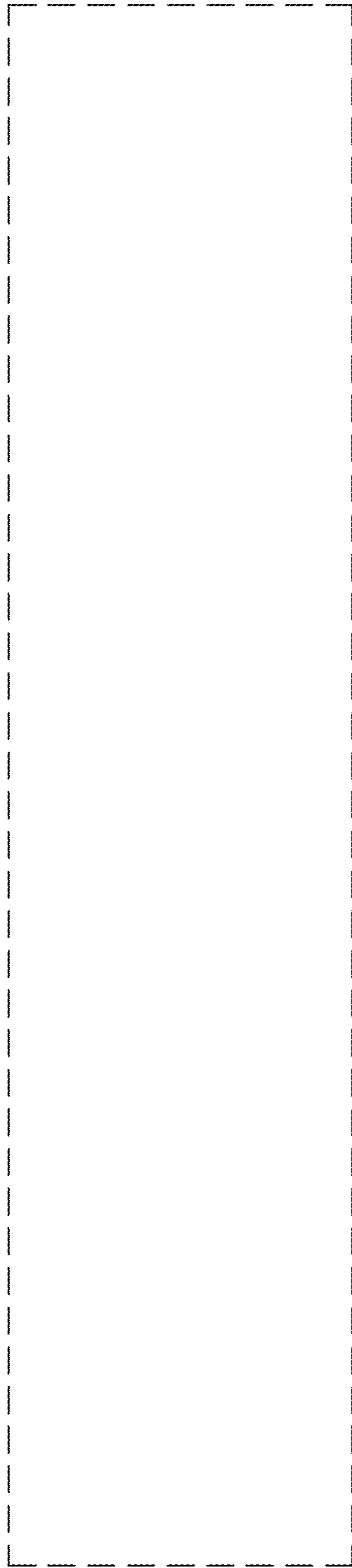


FIG. 4

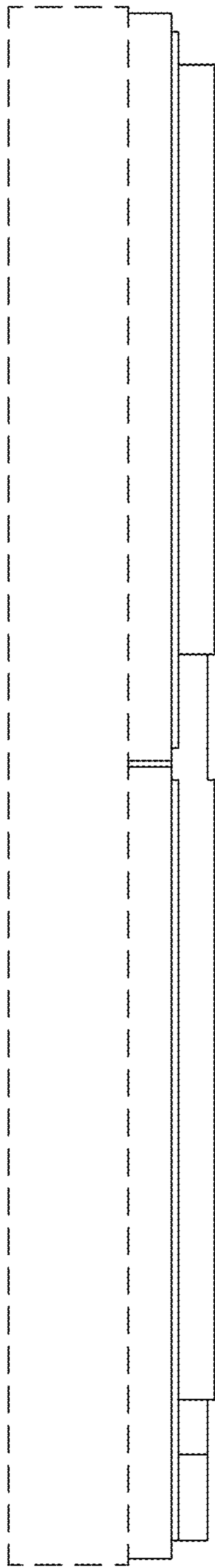


FIG. 5

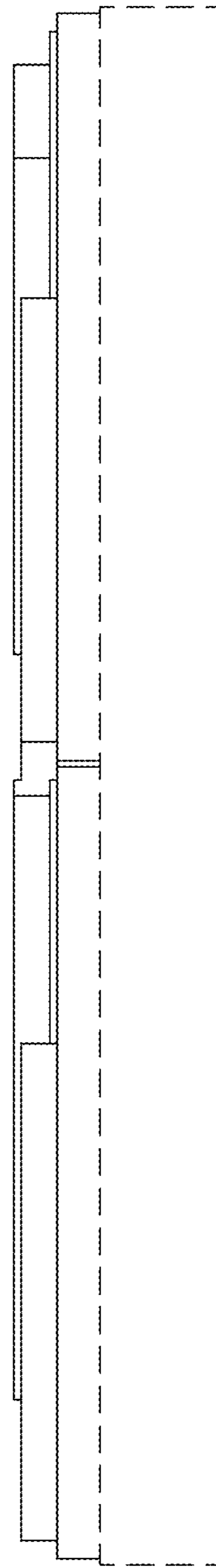


FIG. 6

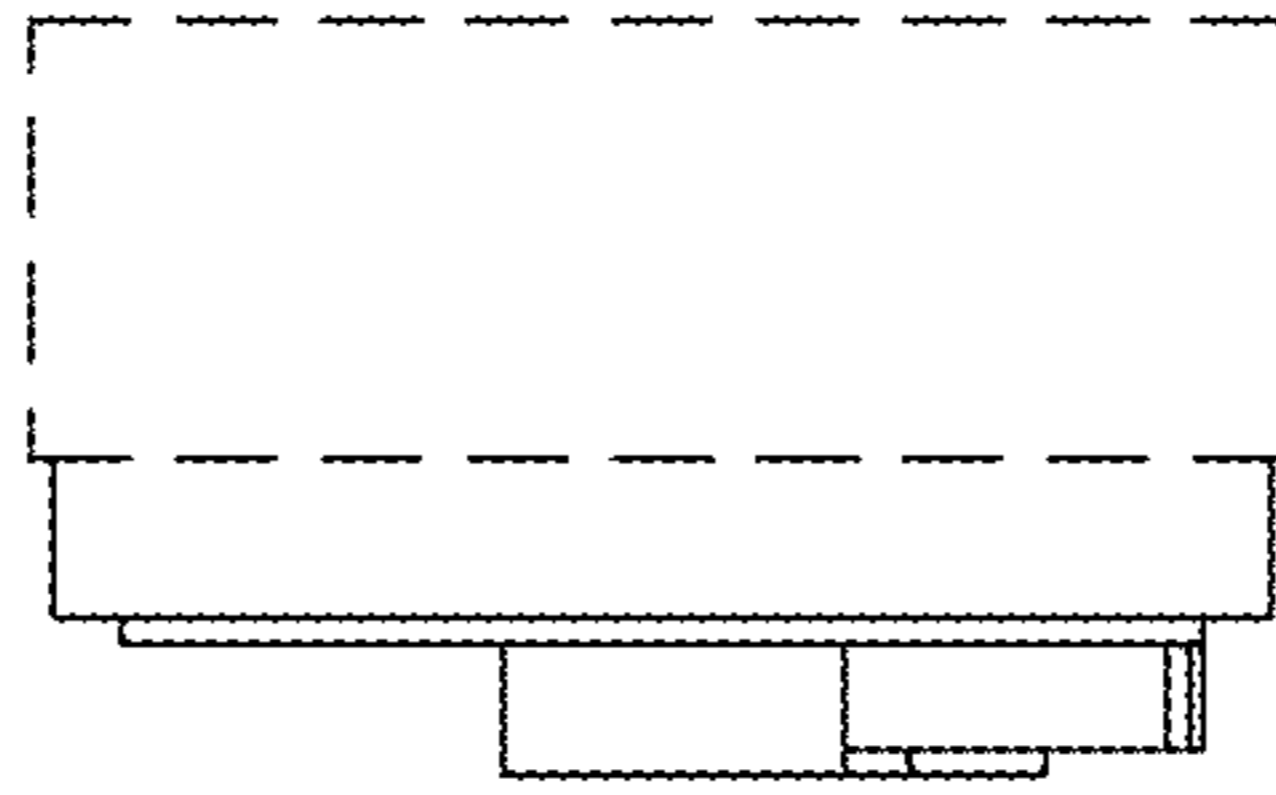


FIG. 7

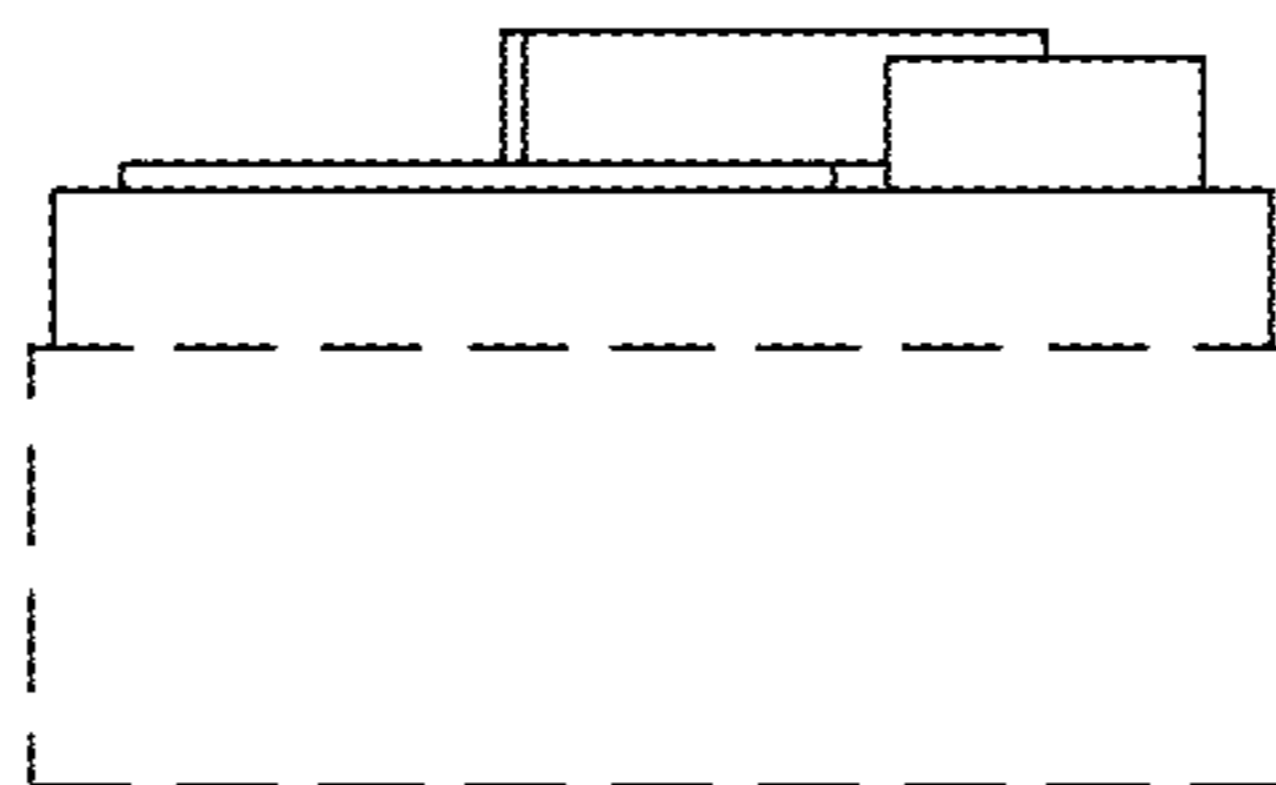


FIG. 8

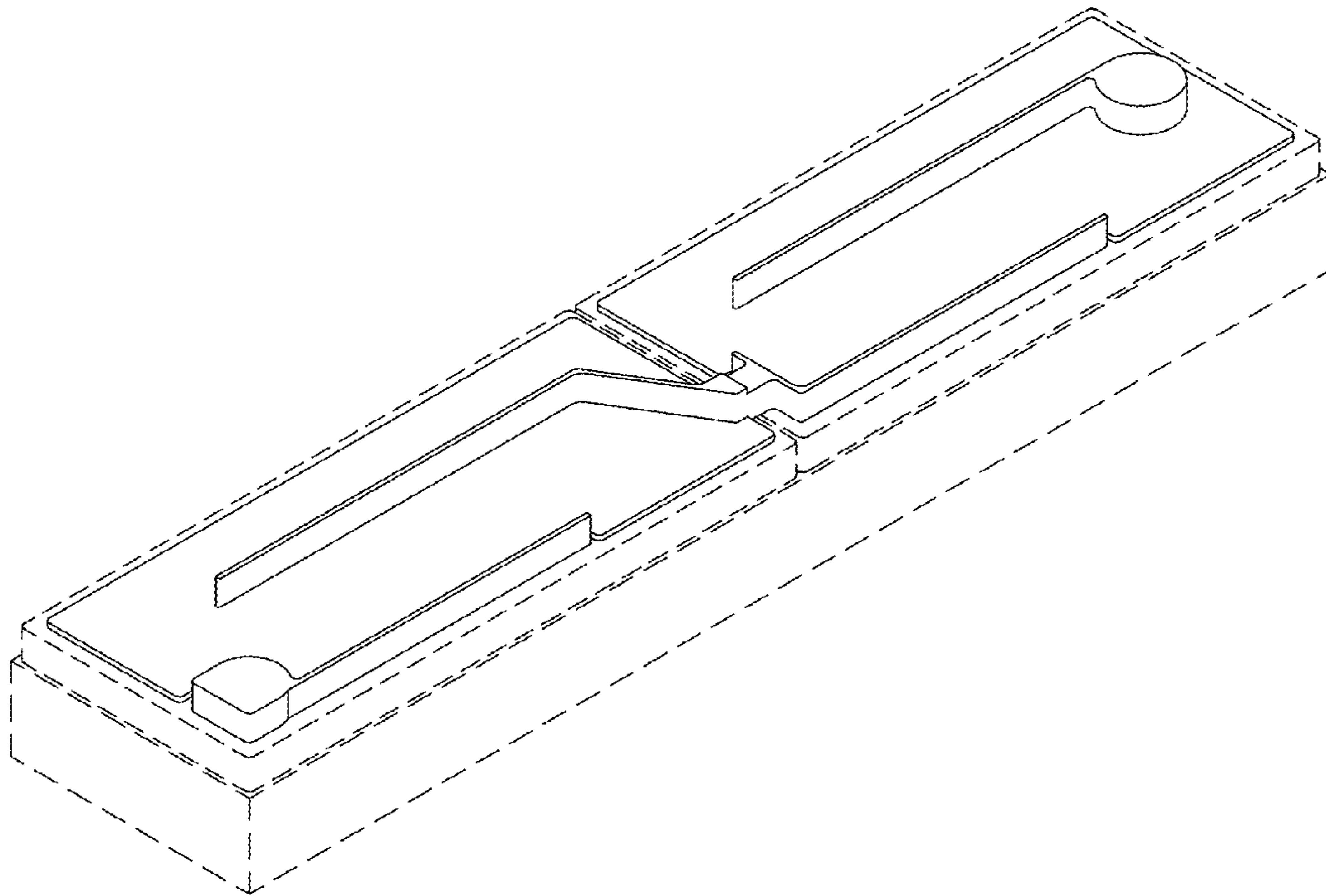


FIG. 9

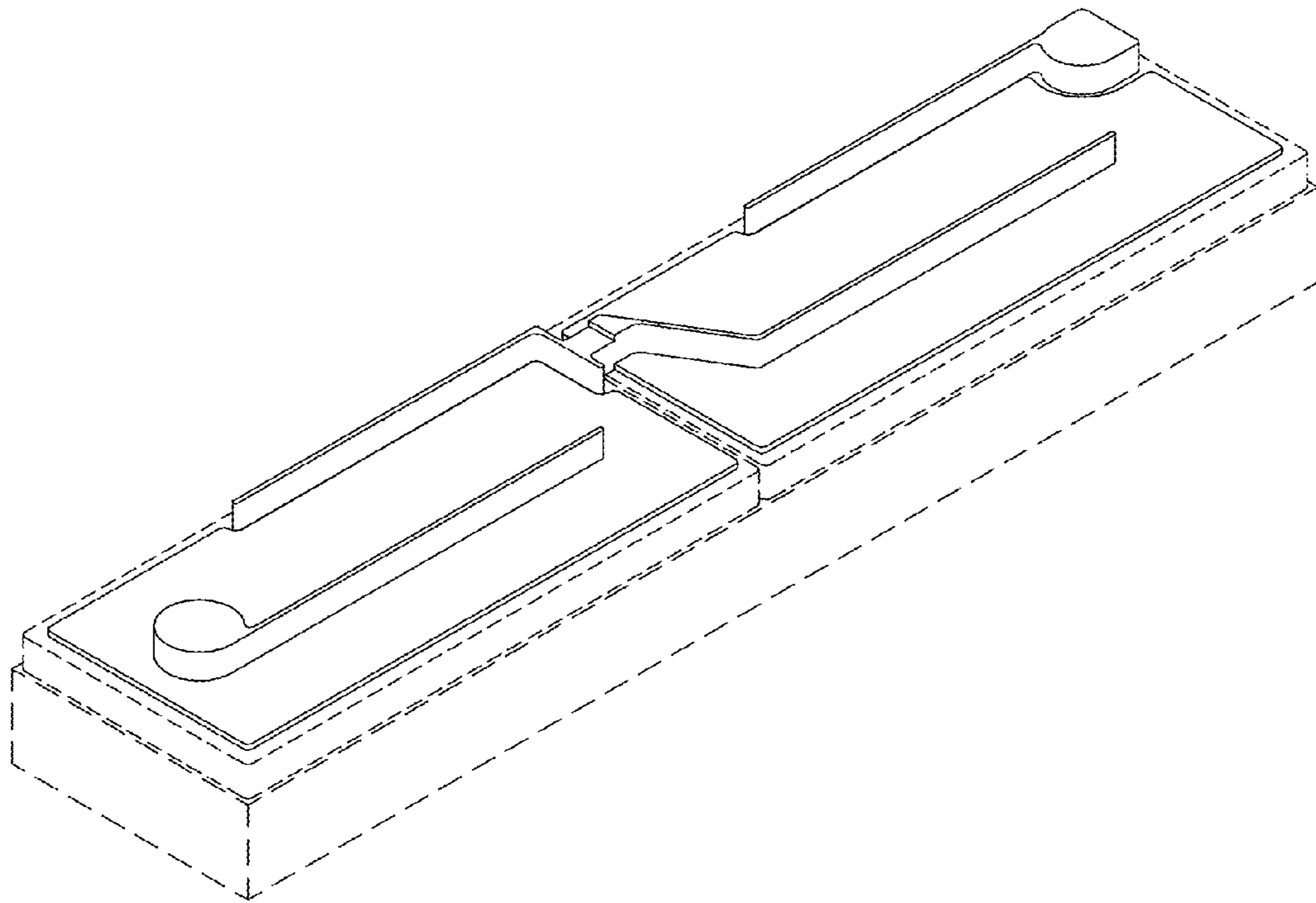


FIG. 10

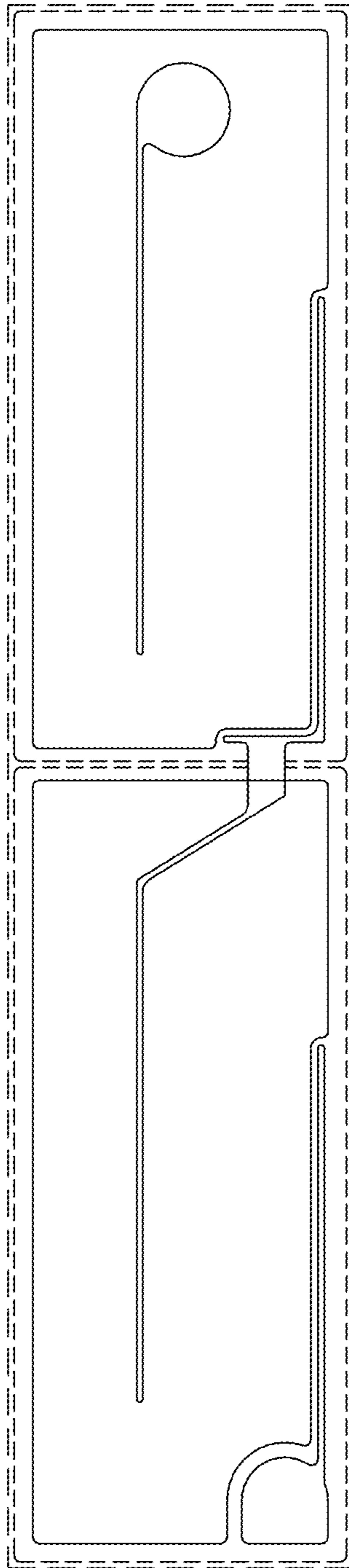


FIG. 11

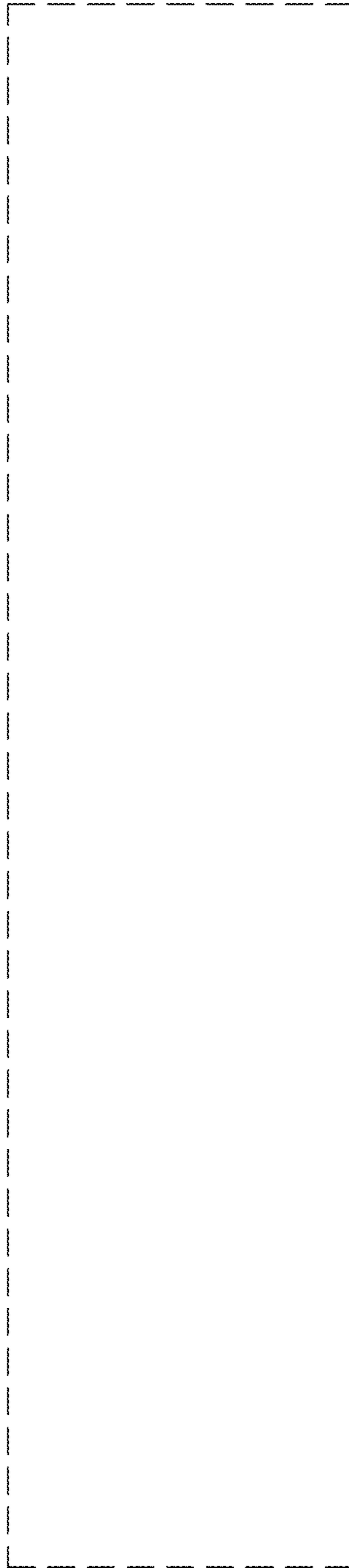


FIG. 12

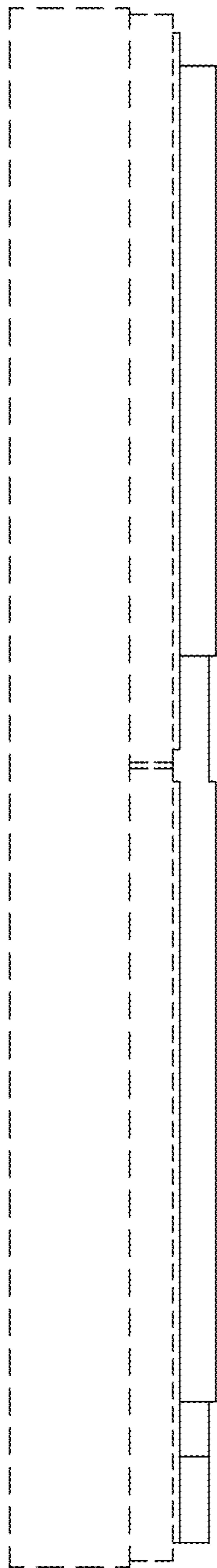


FIG. 13

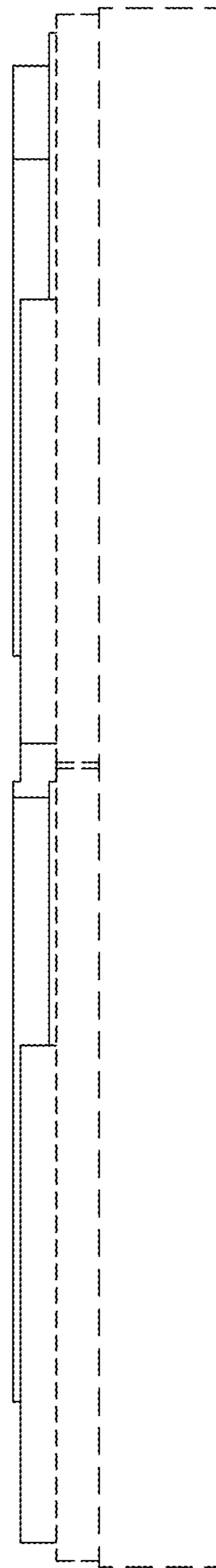


FIG. 14

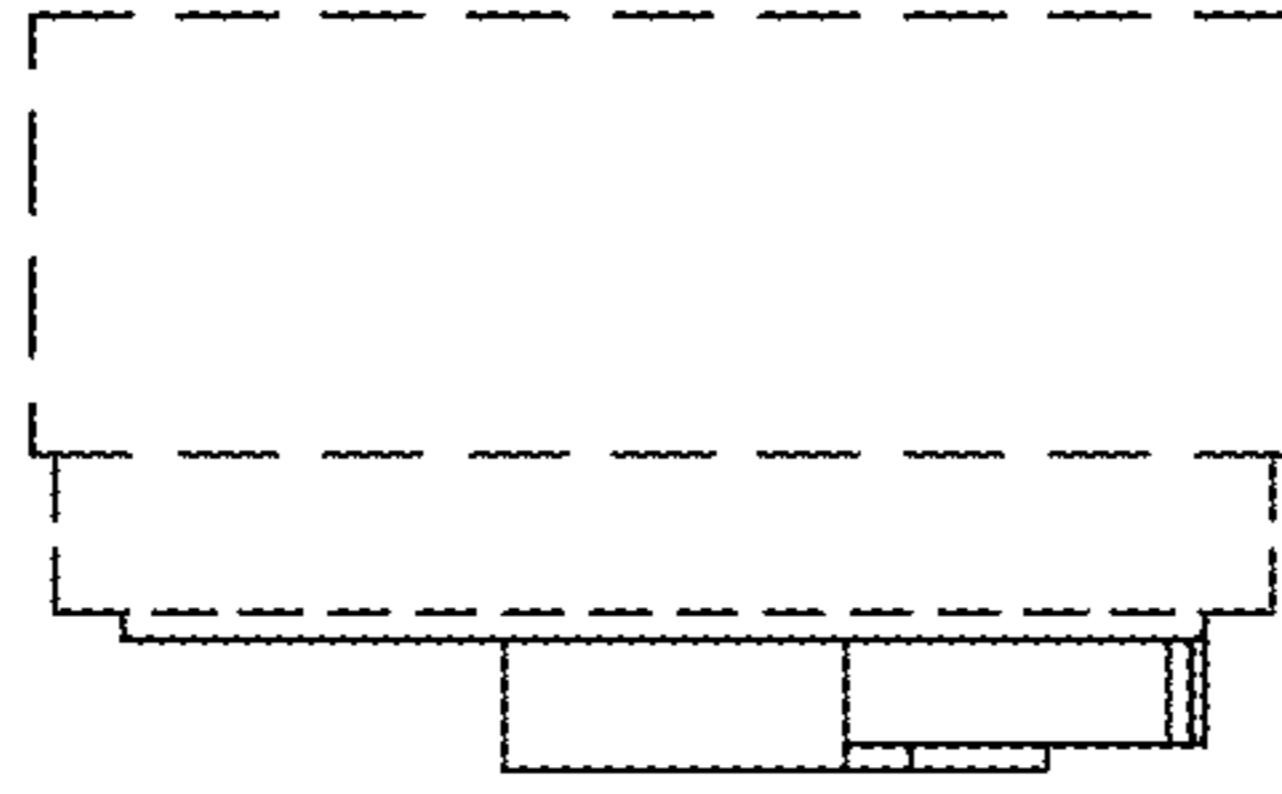


FIG. 15

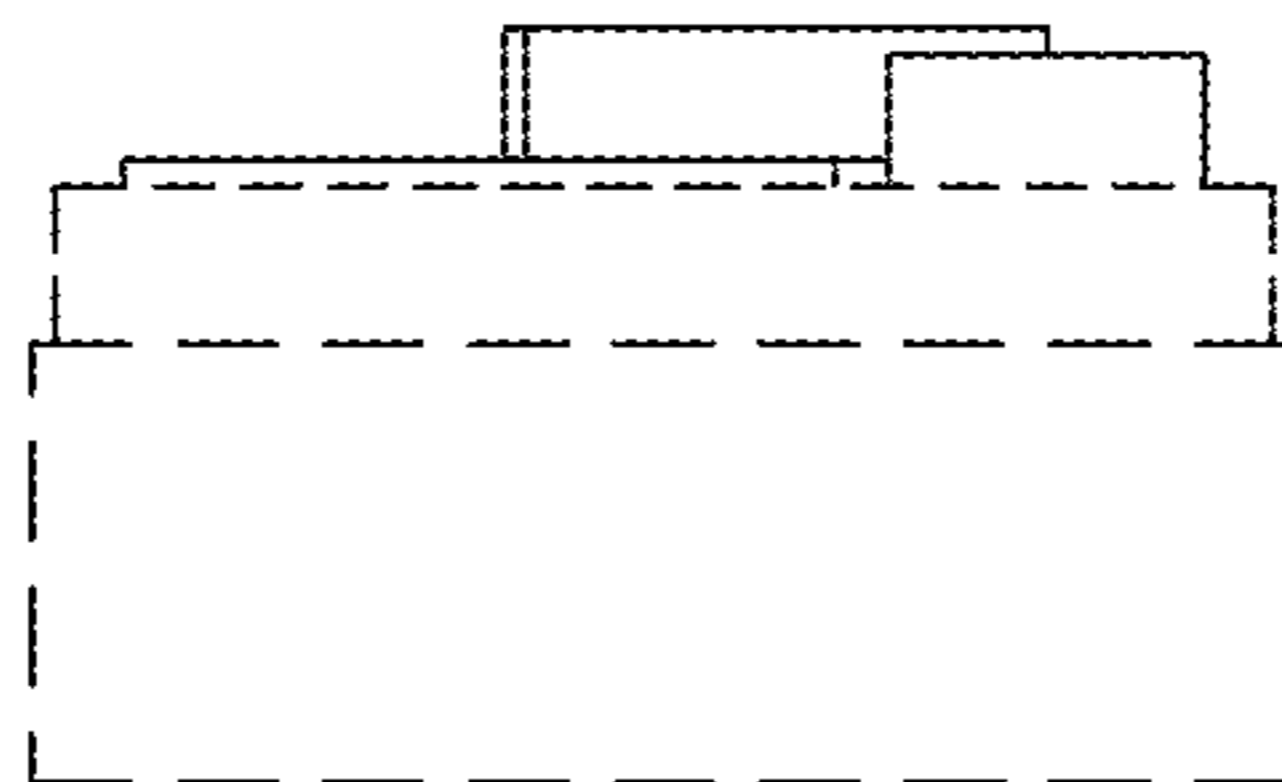


FIG. 16