



US00D750577S

(12) **United States Design Patent**
Oneufer et al.

(10) **Patent No.:** **US D750,577 S**
(45) **Date of Patent:** **** Mar. 1, 2016**

(54) **SWITCH HANDLE FOR CIRCUIT BREAKERS**

(71) Applicant: **Eaton Corporation**, Cleveland, OH
(US)

(72) Inventors: **Stephen William Oneufer**, Fayetteville,
NC (US); **Edgar Yee**, Chapel Hill, NC
(US); **Robert Allan Morris**,
Fayetteville, NC (US); **Daniel Boyd**
Kroushl, Clayton, NC (US)

(73) Assignee: **Eaton Corporation**, Cleveland, OH
(US)

(**) Term: **14 Years**

(21) Appl. No.: **29/485,867**

(22) Filed: **Mar. 24, 2014**

(51) **LOC (10) Cl.** **13-03**

(52) **U.S. Cl.**
USPC **D13/174**

(58) **Field of Classification Search**
USPC D13/160, 174
CPC G05G 1/04; G05G 1/08; H01H 3/08;
H01H 9/02; H01H 9/182; H01H 9/22; H01H
9/282; H01H 71/04; H01H 71/46; H01H
71/56; H01H 71/501
See application file for complete search history.

(56) **References Cited**

U.S. PATENT DOCUMENTS

4,024,441	A	5/1977	Coyle et al.	
4,503,408	A	3/1985	Mrenna et al.	
4,612,424	A *	9/1986	Clark et al.	200/50.18
D297,726	S *	9/1988	Araki	D13/174
4,851,621	A *	7/1989	Borchardt et al.	200/50.05
D349,101	S *	7/1994	Schaeffer	D13/174
5,493,083	A *	2/1996	Olivier	200/17 R
5,634,553	A *	6/1997	Hopper et al.	200/336
5,687,834	A *	11/1997	Simon et al.	200/336
D404,014	S *	1/1999	Barnard et al.	D13/174
5,910,760	A	6/1999	Malingowski et al.	
6,194,983	B1	2/2001	Bogdon et al.	
D438,846	S *	3/2001	Bonn	D13/174

6,423,912	B1 *	7/2002	Arenz et al.	200/43.08
6,518,526	B2 *	2/2003	Hamada et al.	200/330
6,596,952	B1 *	7/2003	Degrazia et al.	200/330
6,767,104	B2 *	7/2004	Worrell	362/23.21
6,797,903	B1 *	9/2004	Winslett et al.	200/331
6,969,813	B1 *	11/2005	Winslett et al.	200/330
7,002,088	B2 *	2/2006	Shin	200/330
7,186,933	B2	3/2007	Turner	
7,214,895	B2 *	5/2007	Houck et al.	200/310
7,238,903	B2 *	7/2007	Fischer	200/330
D559,206	S *	1/2008	Neveu et al.	D13/174
7,399,934	B2 *	7/2008	Emura et al.	200/50.12
7,420,133	B2 *	9/2008	Farrow et al.	200/50.15
D580,880	S *	11/2008	Lifran	D13/160
D606,026	S *	12/2009	Azzola et al.	D13/160
D635,104	S *	3/2011	Louise et al.	D13/174
D641,711	S	7/2011	Azzola et al.	
8,642,903	B2 *	2/2014	Sadowski et al.	200/11 J
2007/0272526	A1 *	11/2007	Ishido et al.	200/19.3
2009/0167468	A1 *	7/2009	Dauer et al.	335/46
2010/0032278	A1 *	2/2010	Lin	200/564
2010/0294632	A1 *	11/2010	Reddering et al.	200/11 R
2013/0056340	A1 *	3/2013	Serpinet et al.	200/502
2013/0077210	A1	3/2013	Morris	
2014/0238829	A1 *	8/2014	Takatsu et al.	200/237
2014/0326585	A1 *	11/2014	Reinhart et al.	200/43.11
2015/0008108	A1 *	1/2015	Wu et al.	200/293
2015/0053537	A1 *	2/2015	Manahan	200/293
2015/0103472	A1 *	4/2015	Oneufer et al.	361/605

OTHER PUBLICATIONS

Product Brochure, Rotary handles, Molded-case circuit breakers, EATON, Jun. 2013, 5 pages.
Chilean Office Action for related Chilean application No. 2014-002395, dated Aug. 31, 2015, 6 pages.
Chilean Office Action for related Chilean application No. 2014-002396, dated Aug. 31, 2015, 6 pages.

* cited by examiner

Primary Examiner — Selina Sikder
(74) *Attorney, Agent, or Firm* — Myers Bigel & Sibley, P.A.

(57) **CLAIM**
The ornamental design for a switch handle for circuit breakers, as shown and described.

DESCRIPTION

FIG. 1 is a front, side perspective view of a first embodiment of the switch handle for circuit breakers showing our design;

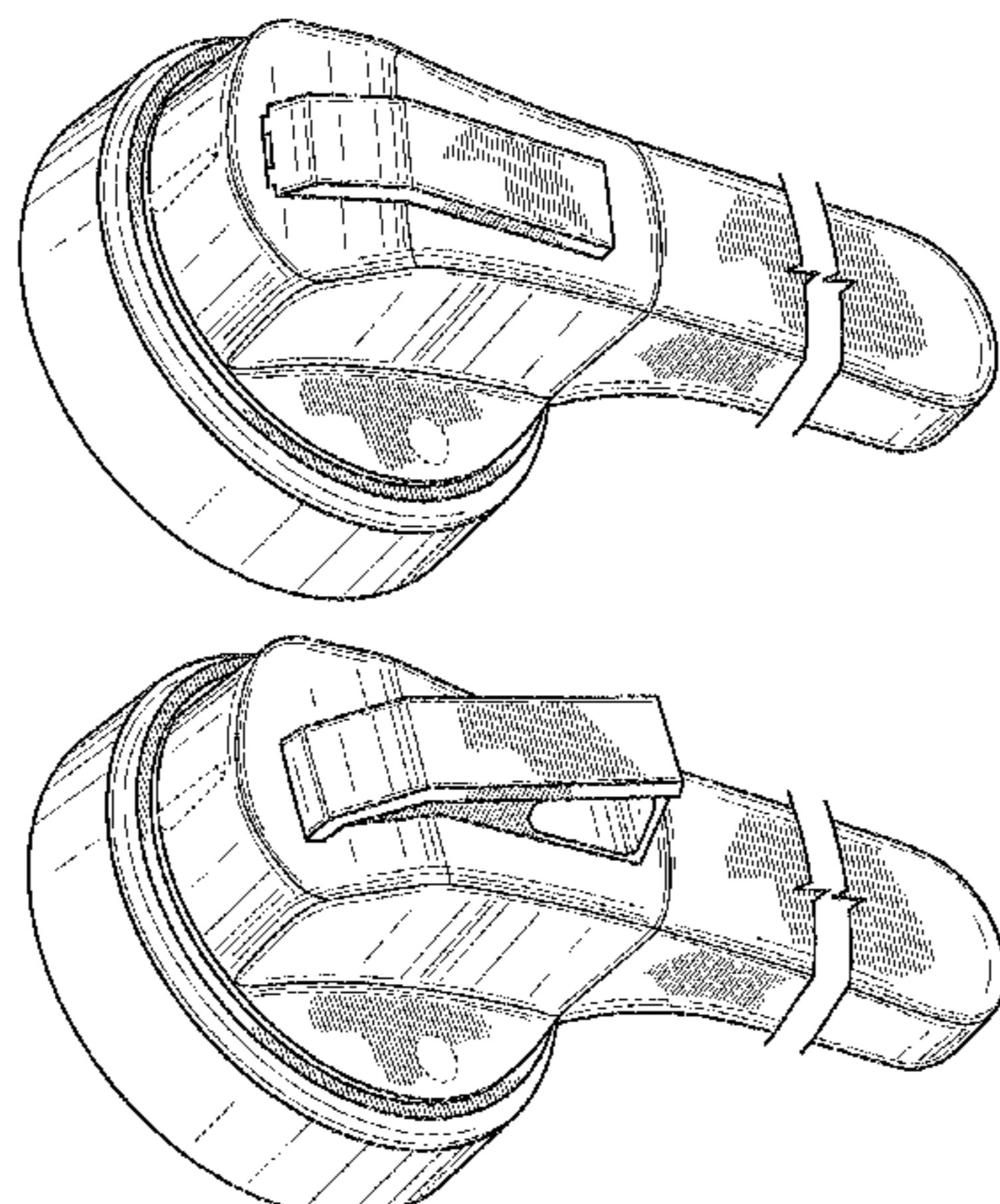


FIG. 2 is a front, opposing side perspective view thereof;
FIG. 3 is a front view thereof (the bottom/rear view is dis-claimed);
FIG. 4 is a side view thereof;
FIG. 5 is a side view opposite that shown in FIG. 4;
FIG. 6 is a side view taken at 90 degrees from the view shown in FIG. 5;
FIG. 7 is a side view opposite that shown in FIG. 6;
FIG. 8 is a front, side perspective view of the switch handle for circuit breakers shown in an exemplary environmental view on a respective door of a unit of a circuit breaker;
FIG. 9 is a front, side perspective view of the switch handle for circuit breakers shown in another exemplary environmen-tal view on a door of a unit of a circuit breaker;
FIG. 10 is a front, side perspective view of the switch handle for circuit breakers shown in FIGS. 1-9, illustrated in an extended lever configuration;
FIG. 11 is a front, opposing side perspective view thereof;
FIG. 12 is a front view thereof (the bottom/rear view is dis-claimed);
FIG. 13 is a side view thereof;
FIG. 14 is a side view opposite that shown in FIG. 13;
FIG. 15 is a side view taken at 90 degrees from the view shown in FIG. 14;
FIG. 16 is a side view opposite that shown in FIG. 15;
FIG. 17 is a front, side perspective view of the switch handle for circuit breakers with the extended lever shown in an exemplary environmental view on a respective door of a unit of a circuit breaker in an exemplary extended lever orienta-tion;
FIG. 18 is a front, side perspective view of the switch handle for circuit breakers with the extended lever shown in another exemplary environmental view on a door of a unit of a circuit breaker;
FIG. 19 is a front, side perspective view of the switch handle for circuit breakers shown in FIGS. 1-9 view showing an alternate environment;
FIG. 20 is front, opposing side perspective view thereof;

FIG. 21 is a front view thereof (the bottom/rear view is dis-claimed);
FIG. 22 is a side view thereof;
FIG. 23 is a side view opposite that shown in FIG. 22;
FIG. 24 is a side view taken at 90 degrees from the view shown in FIG. 23;
FIG. 25 is a side view opposite that shown in FIG. 24;
FIG. 26 is a front, side perspective view of the switch handle for circuit breakers shown in an exemplary environmental view on a respective door of a unit of a circuit breaker;
FIG. 27 is a front, side perspective view of the switch handle for circuit breakers shown in another exemplary environmen-tal view on a door of a unit of a circuit breaker;
FIG. 28 is a front, side perspective view of the switch handle for circuit breakers shown in FIGS. 19-27, illustrated in an extended lever configuration;
FIG. 29 is a front, opposing side perspective view thereof;
FIG. 30 is a front view thereof (the bottom/rear view is dis-claimed);
FIG. 31 is a side view thereof;
FIG. 32 is a side view opposite that shown in FIG. 31;
FIG. 33 is a side view taken at 90 degrees from the view shown in FIG. 32;
FIG. 34 is a side view opposite that shown in FIG. 33;
FIG. 35 is a front, side perspective view of the switch handle for circuit breakers with the extended lever shown in an exemplary environmental view on a respective door of a unit of a circuit breaker in an exemplary extended lever orienta-tion; and,
FIG. 36 is a front, side perspective view of the switch handle for circuit breakers with the extended lever shown in another exemplary environmental view on a door of a unit of a circuit breaker.
The switch handle is shown broken away in the drawing views to indicate indeterminate length, it being understood that it has a uniform shape and appearance through its length. The broken lines shown herein are for illustrative purposes only and form no part of the claimed design.

1 Claim, 20 Drawing Sheets

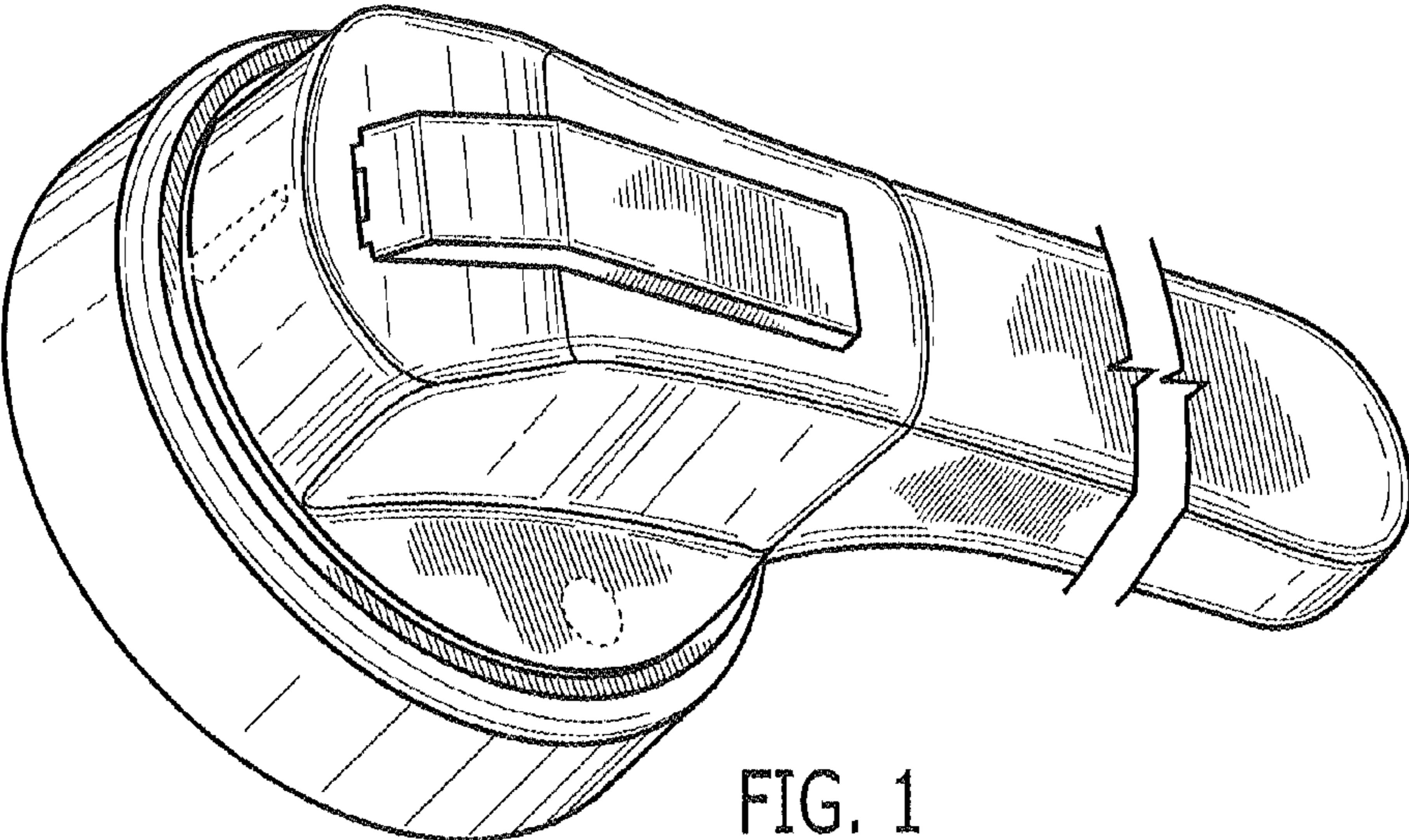


FIG. 1

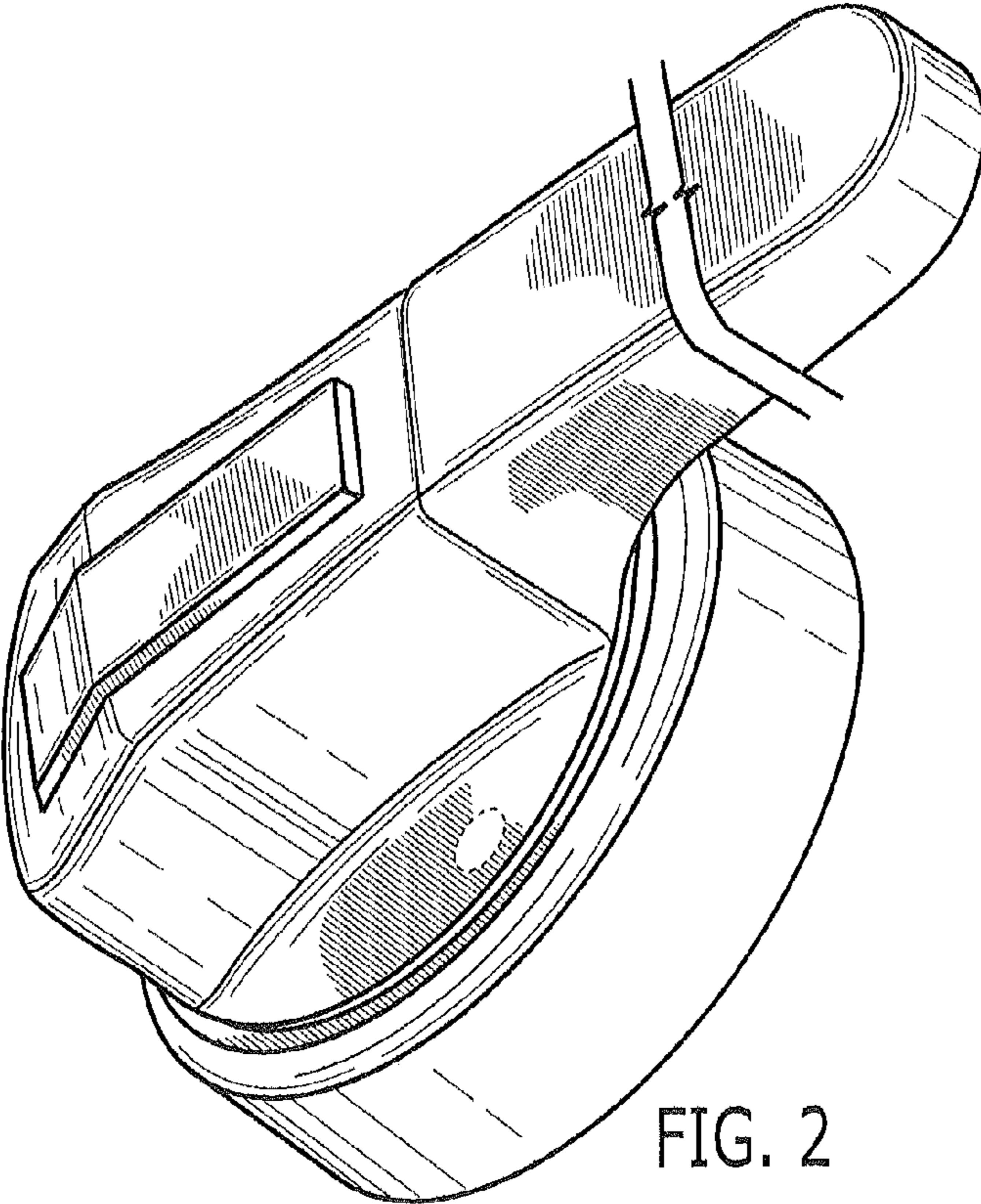


FIG. 2

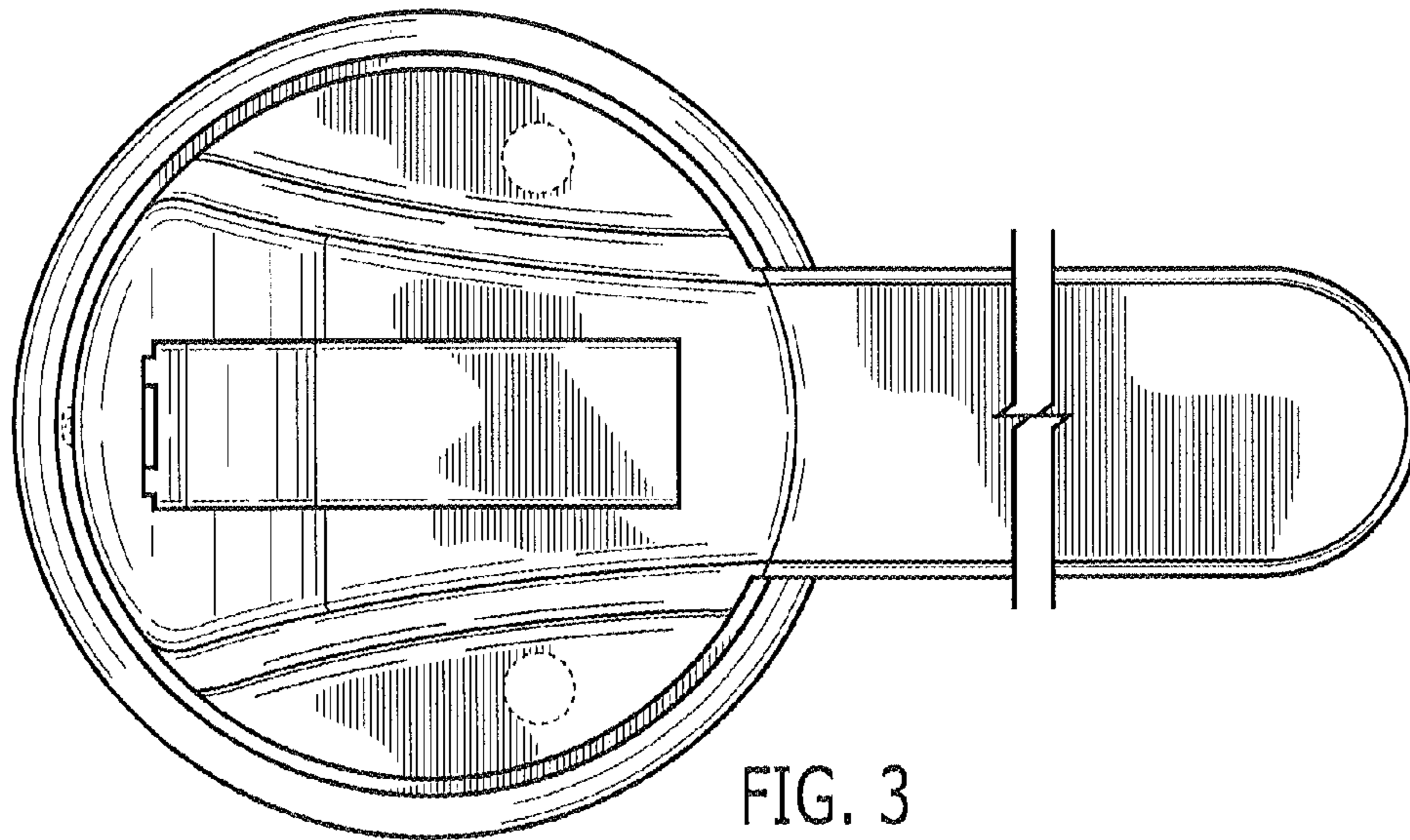


FIG. 3

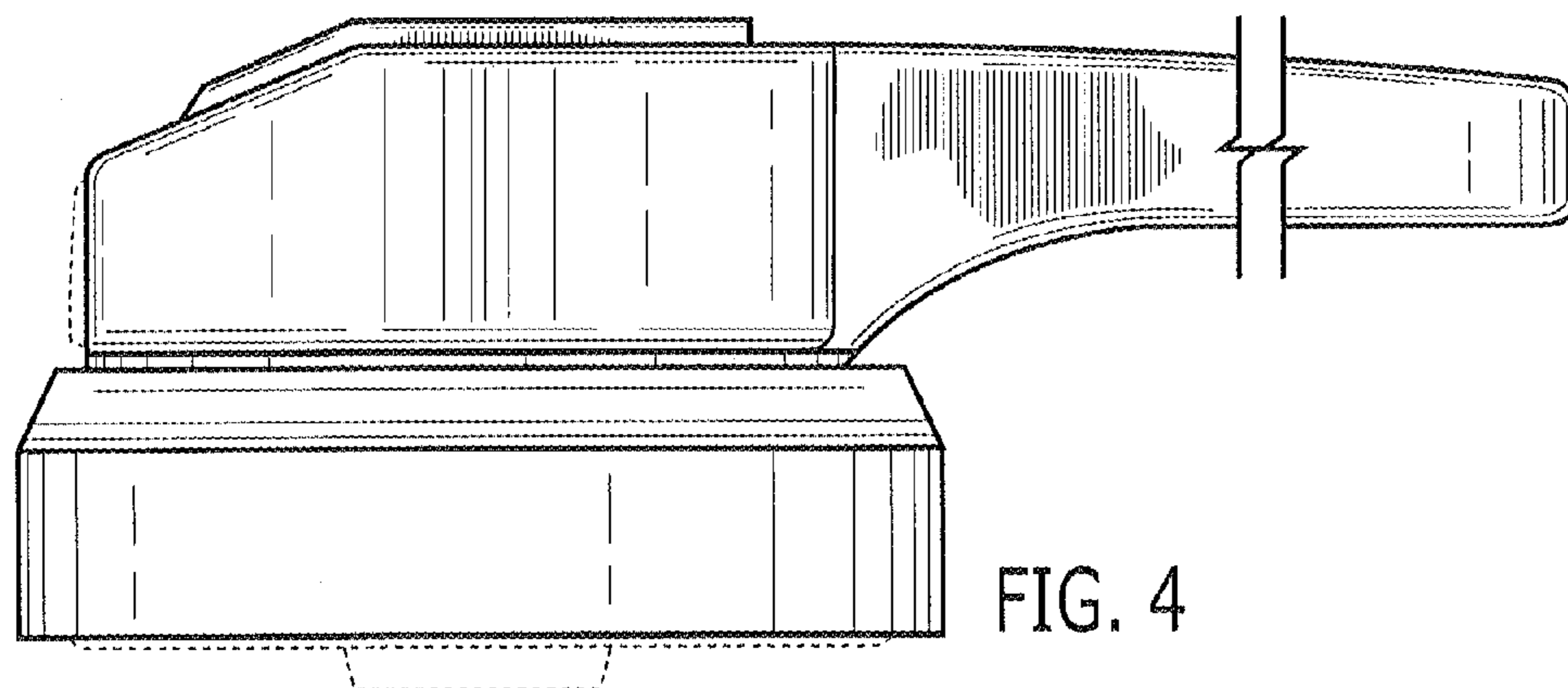


FIG. 4

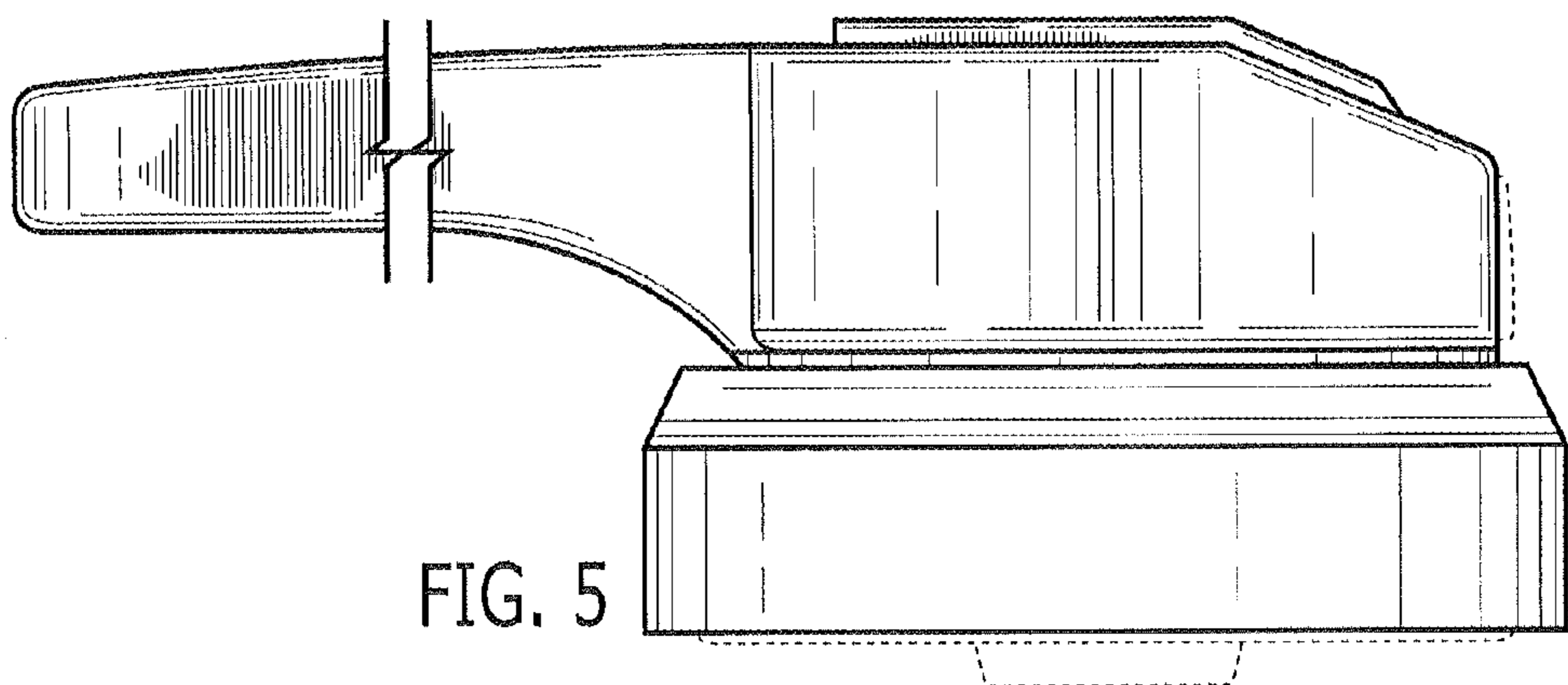


FIG. 5

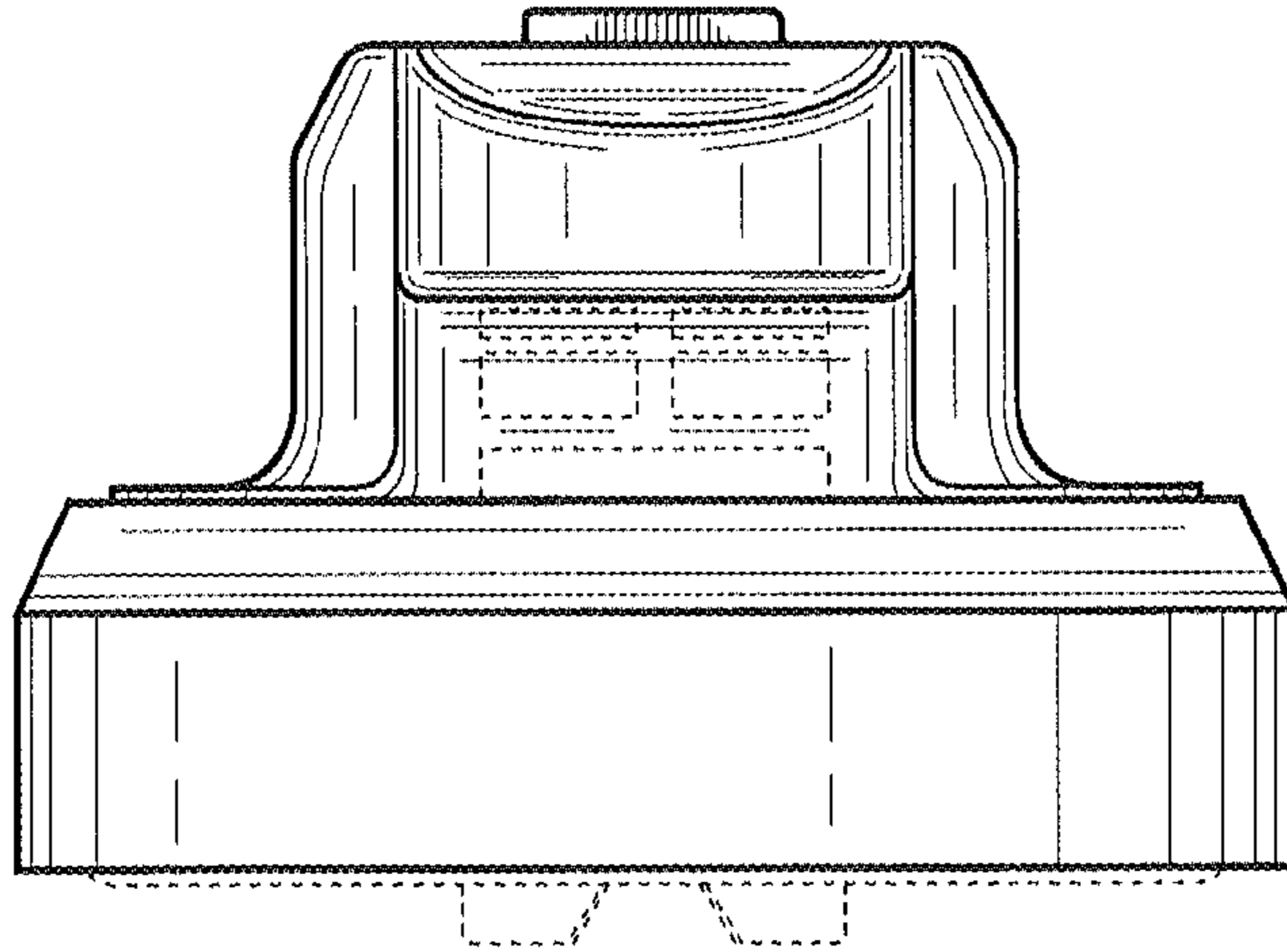


FIG. 6

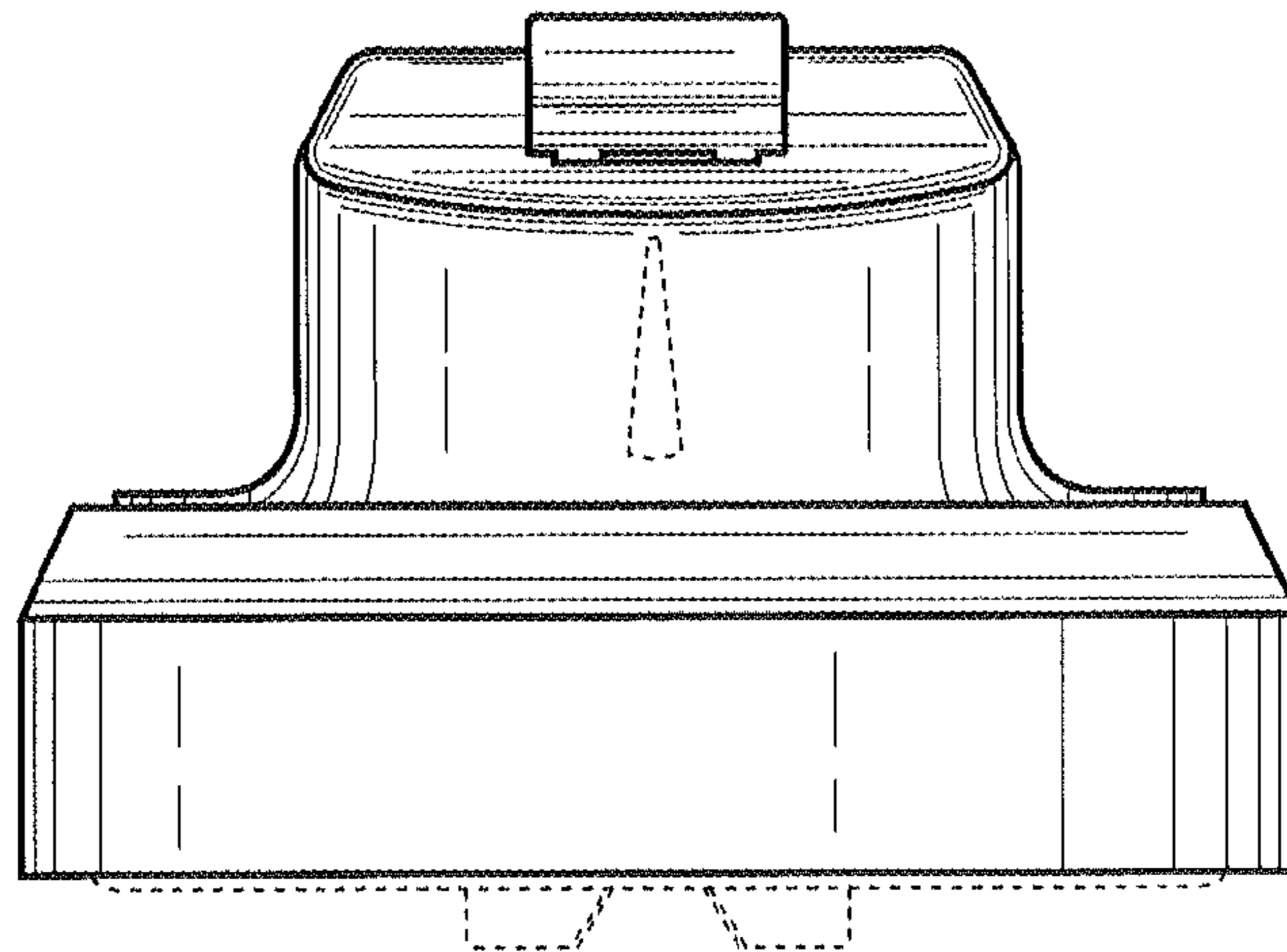


FIG. 7

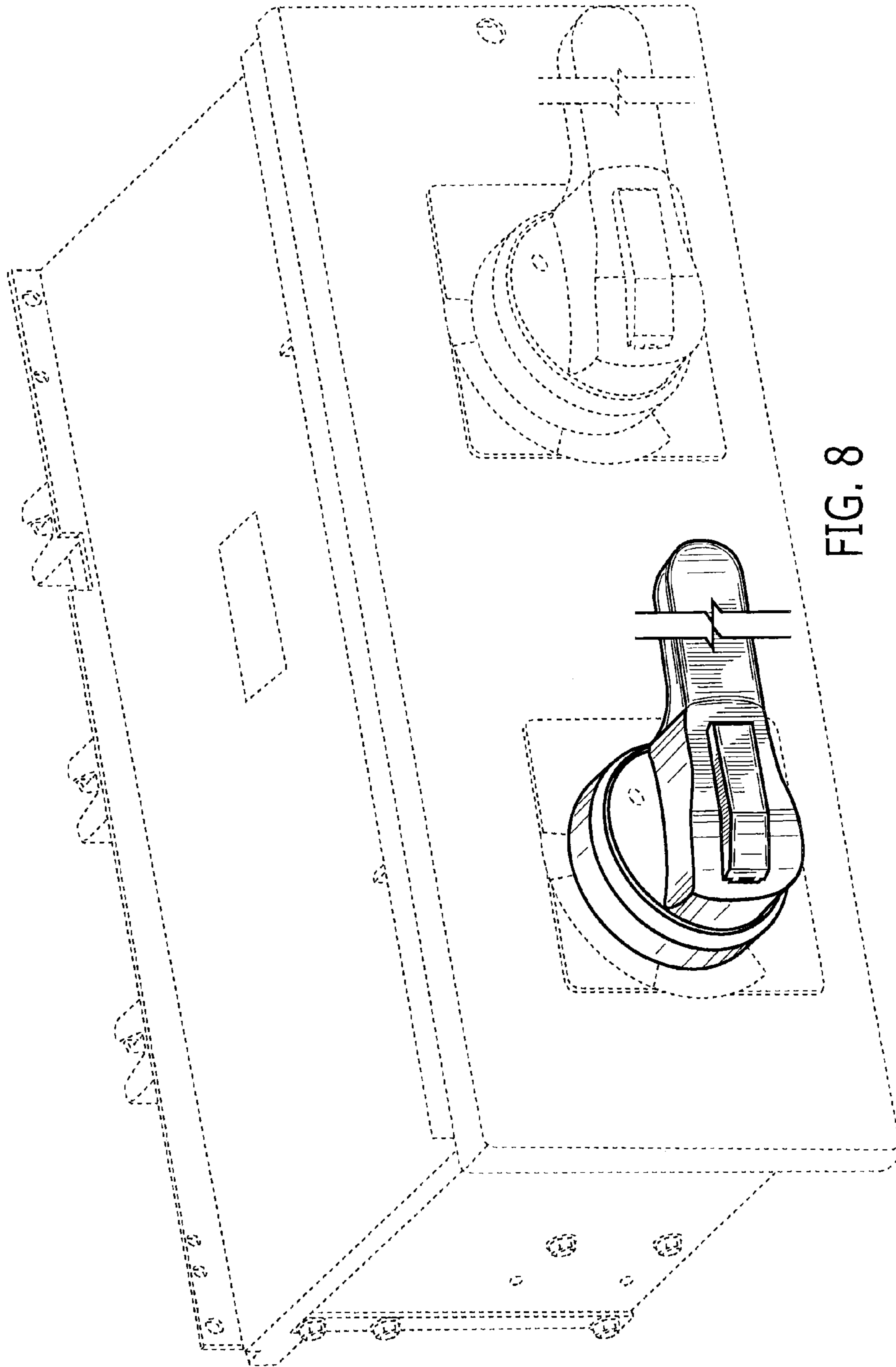
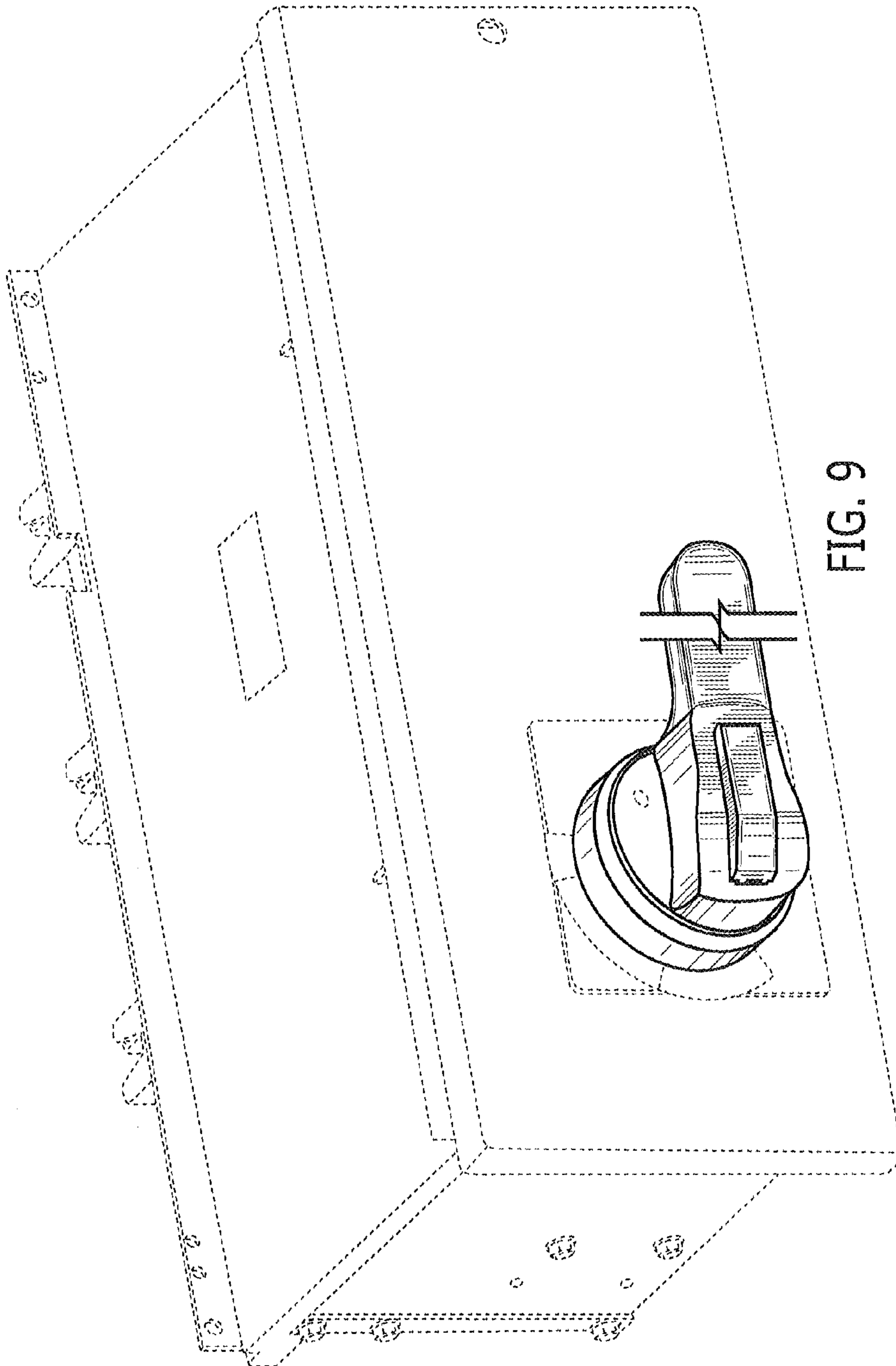


FIG. 8



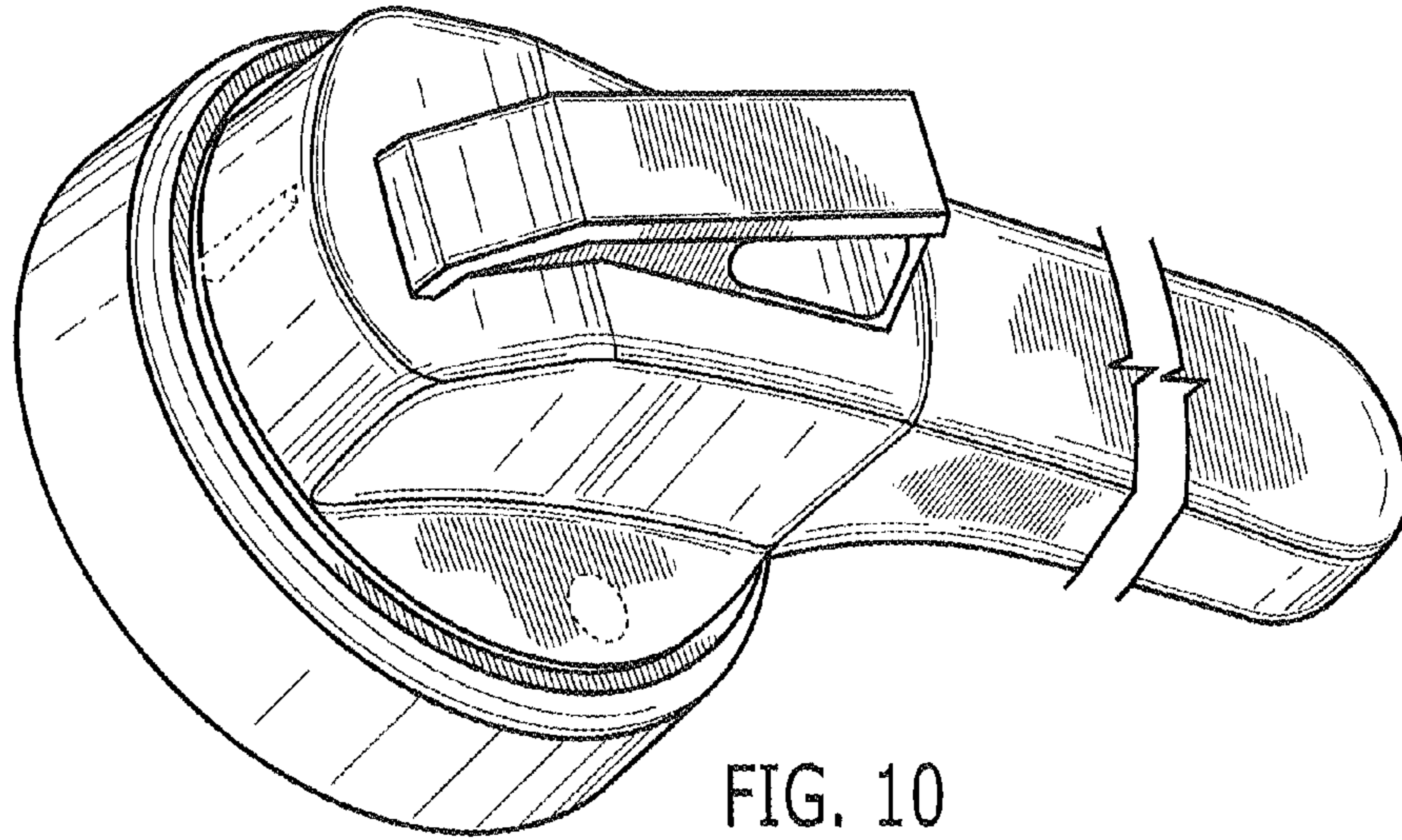


FIG. 10

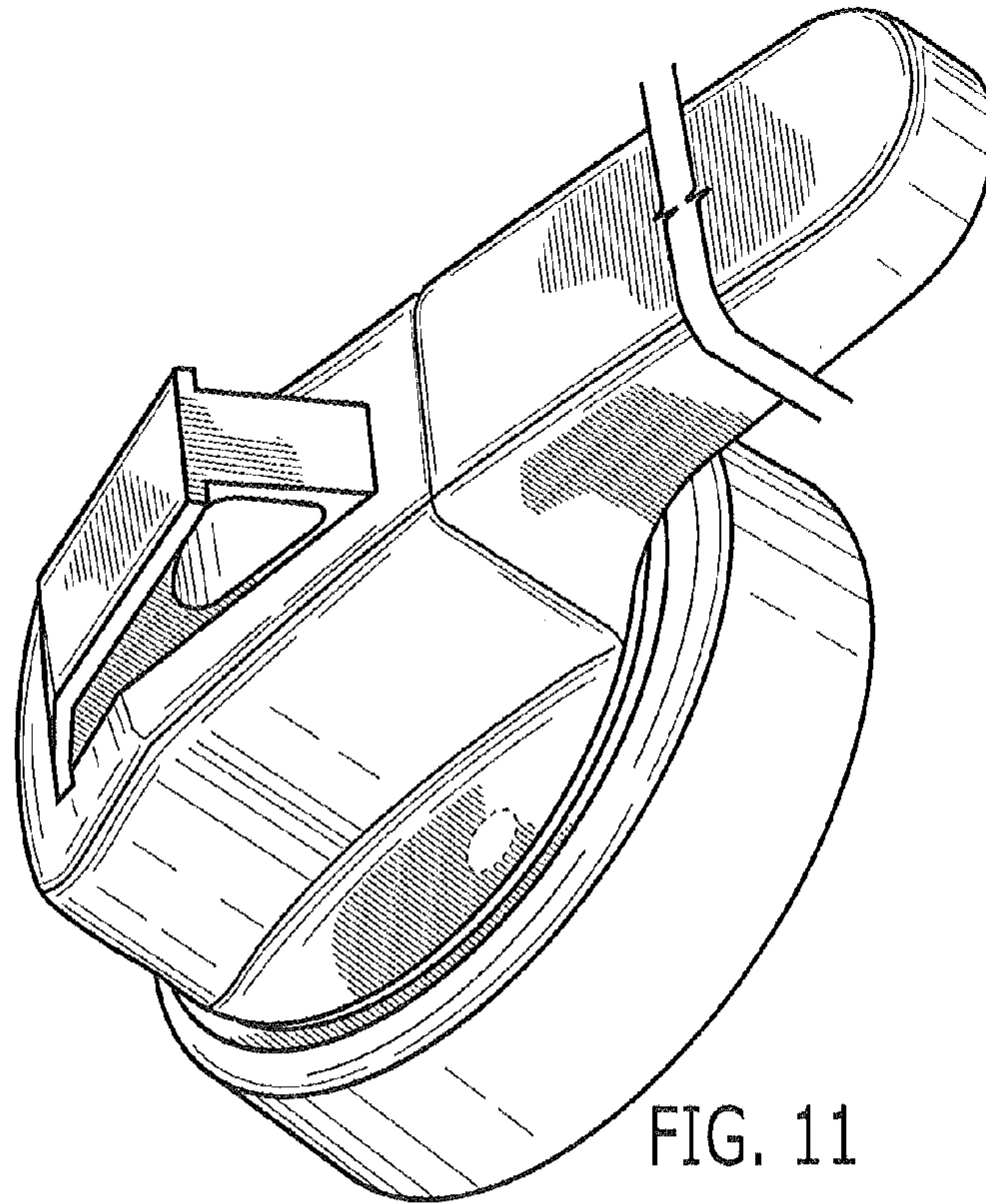
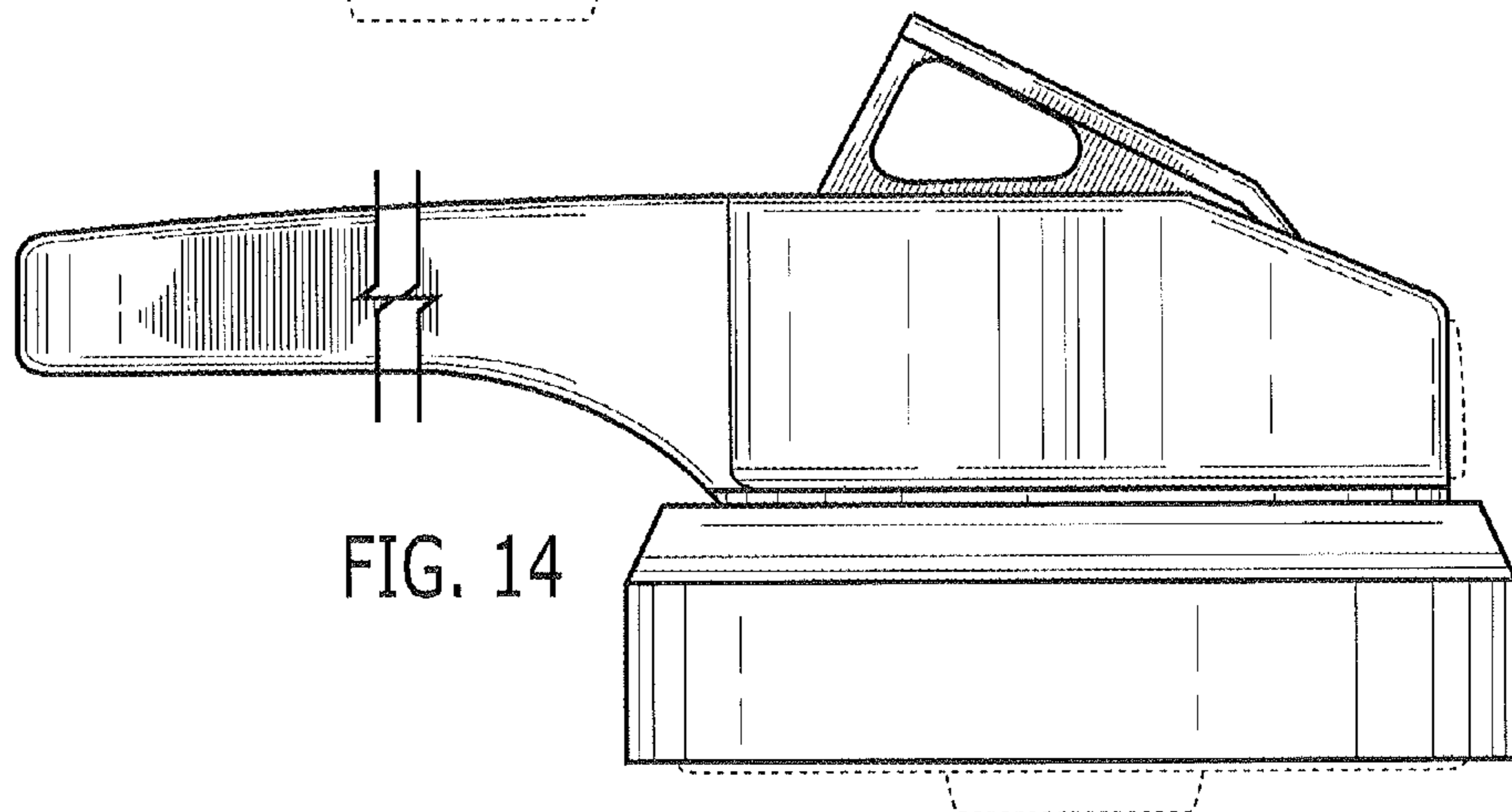
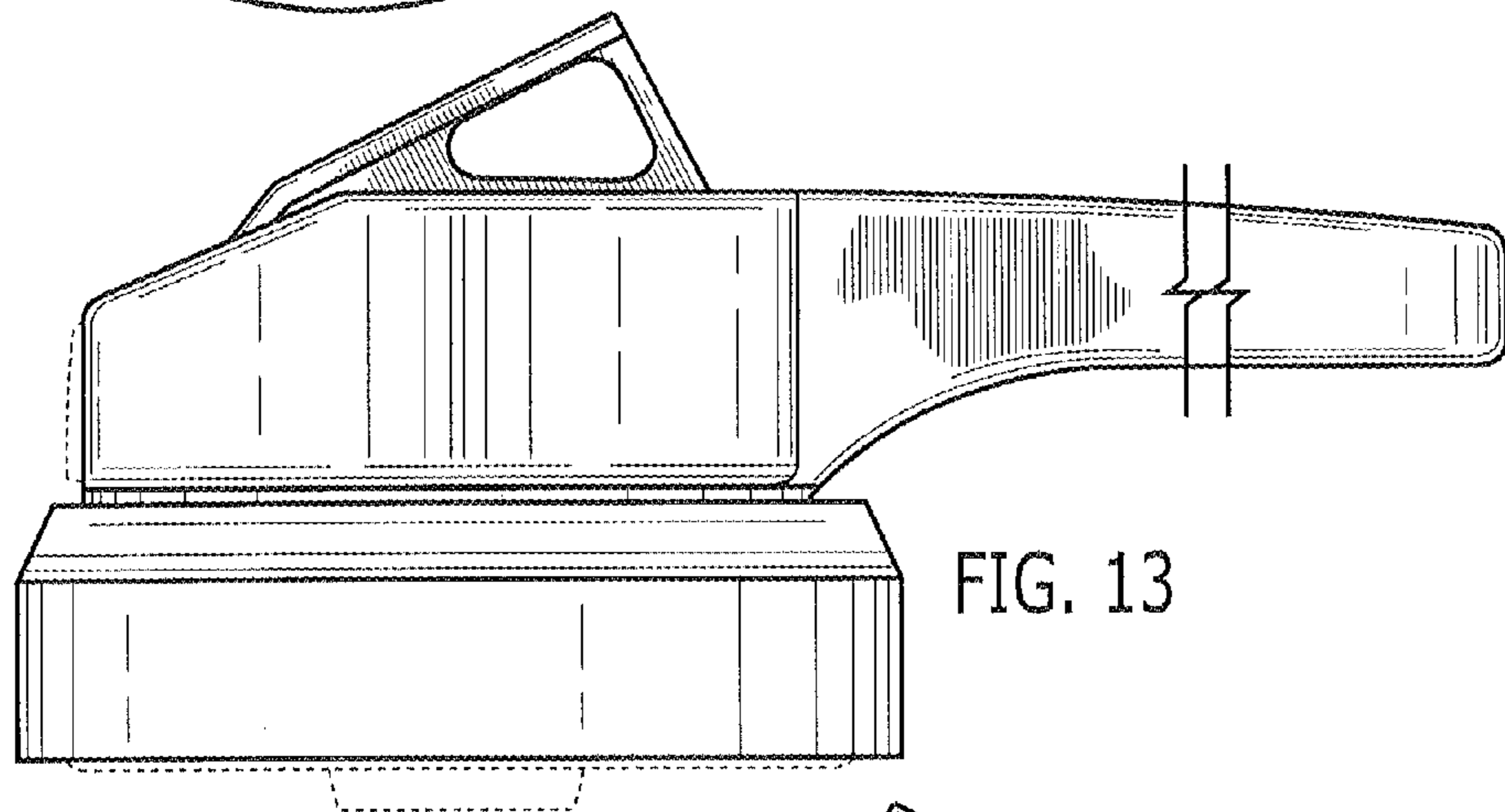
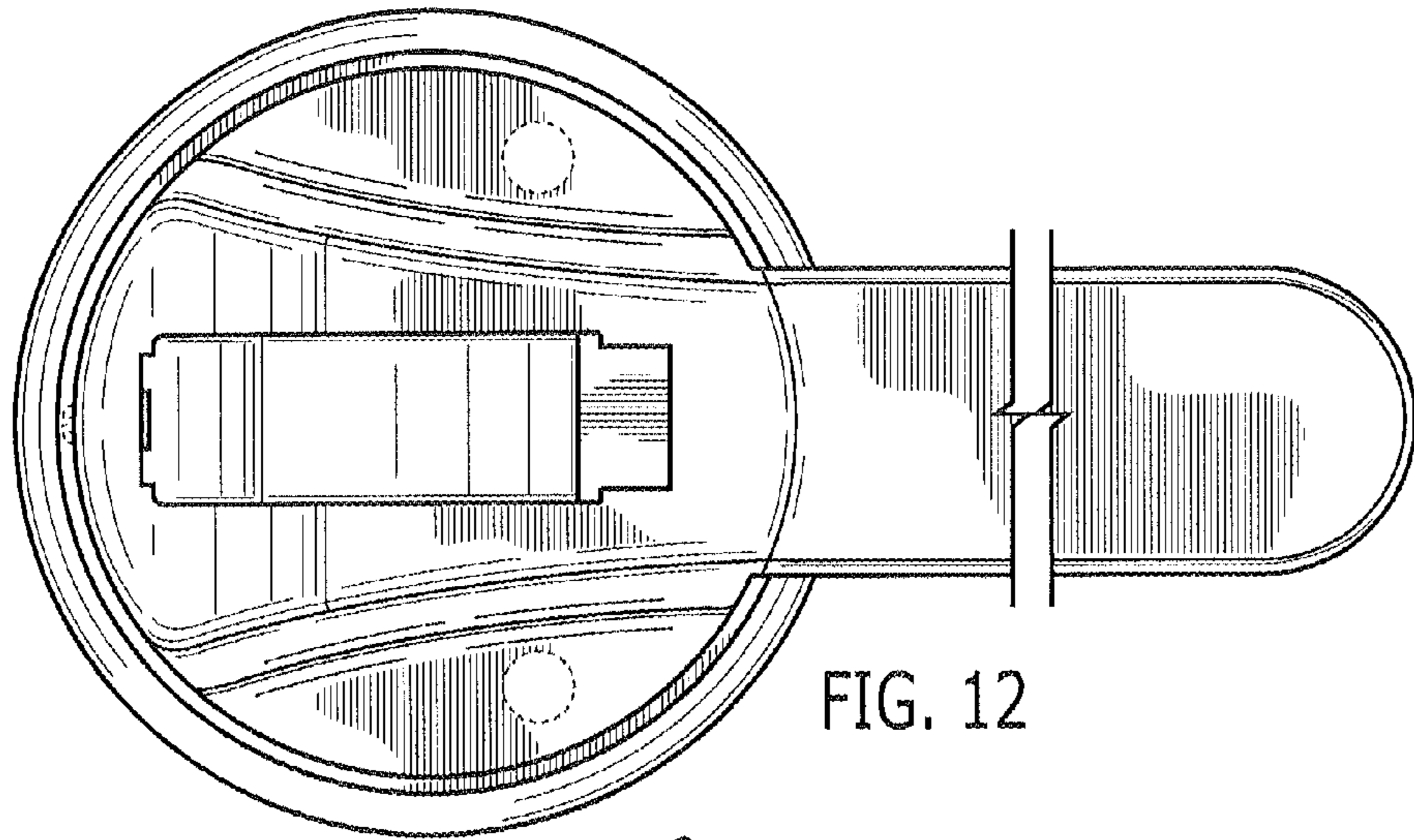


FIG. 11



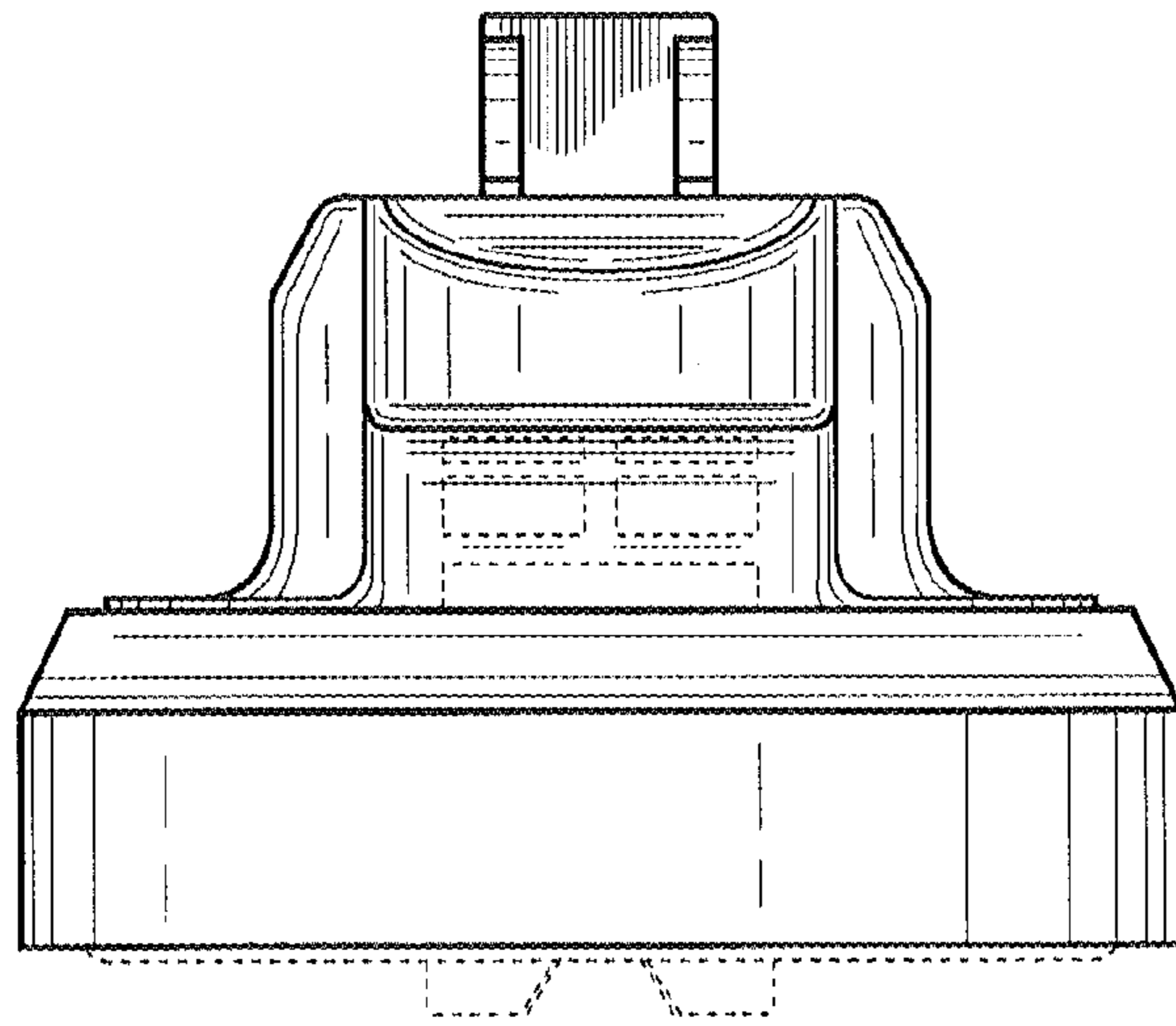


FIG. 15

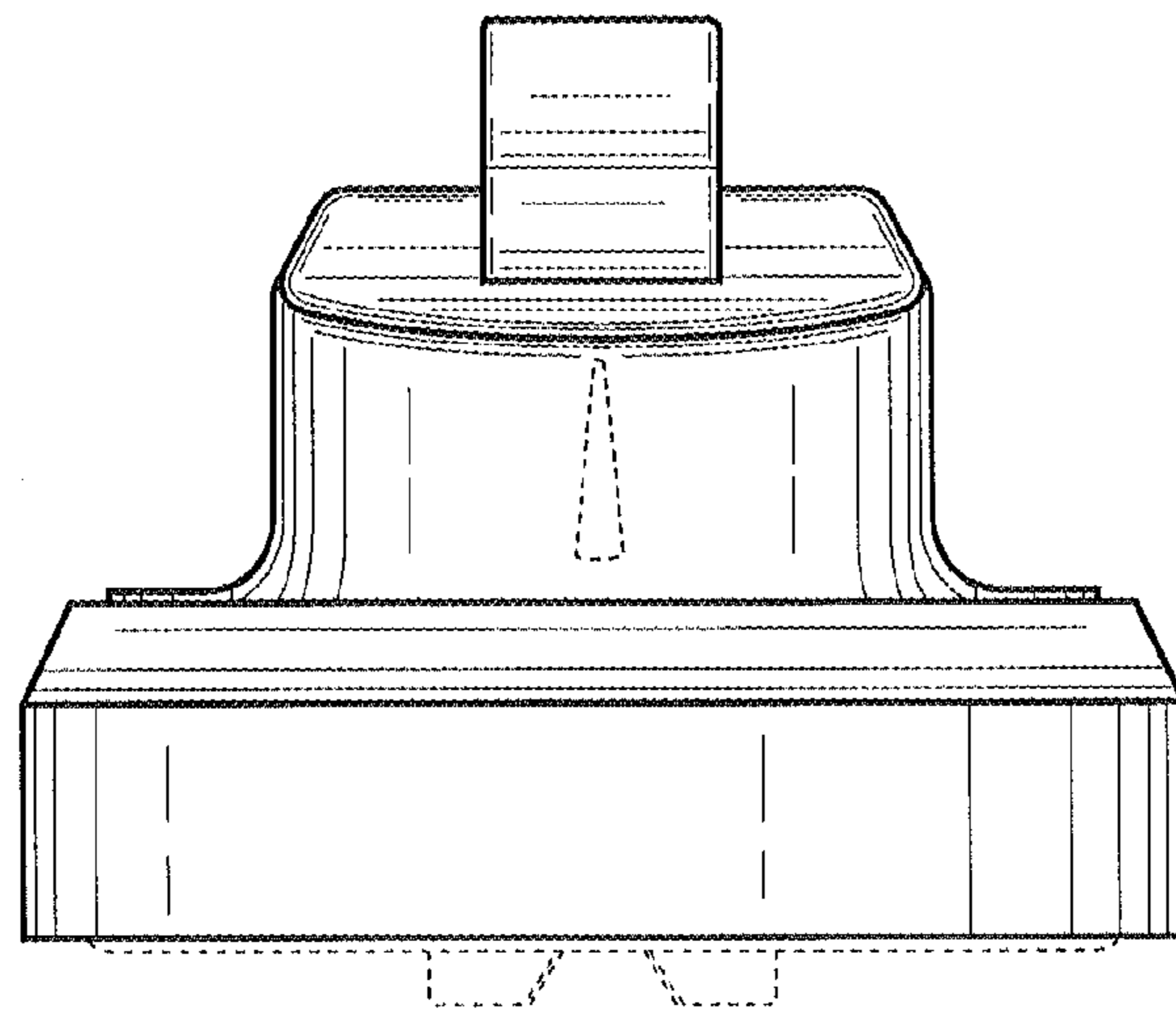


FIG. 16

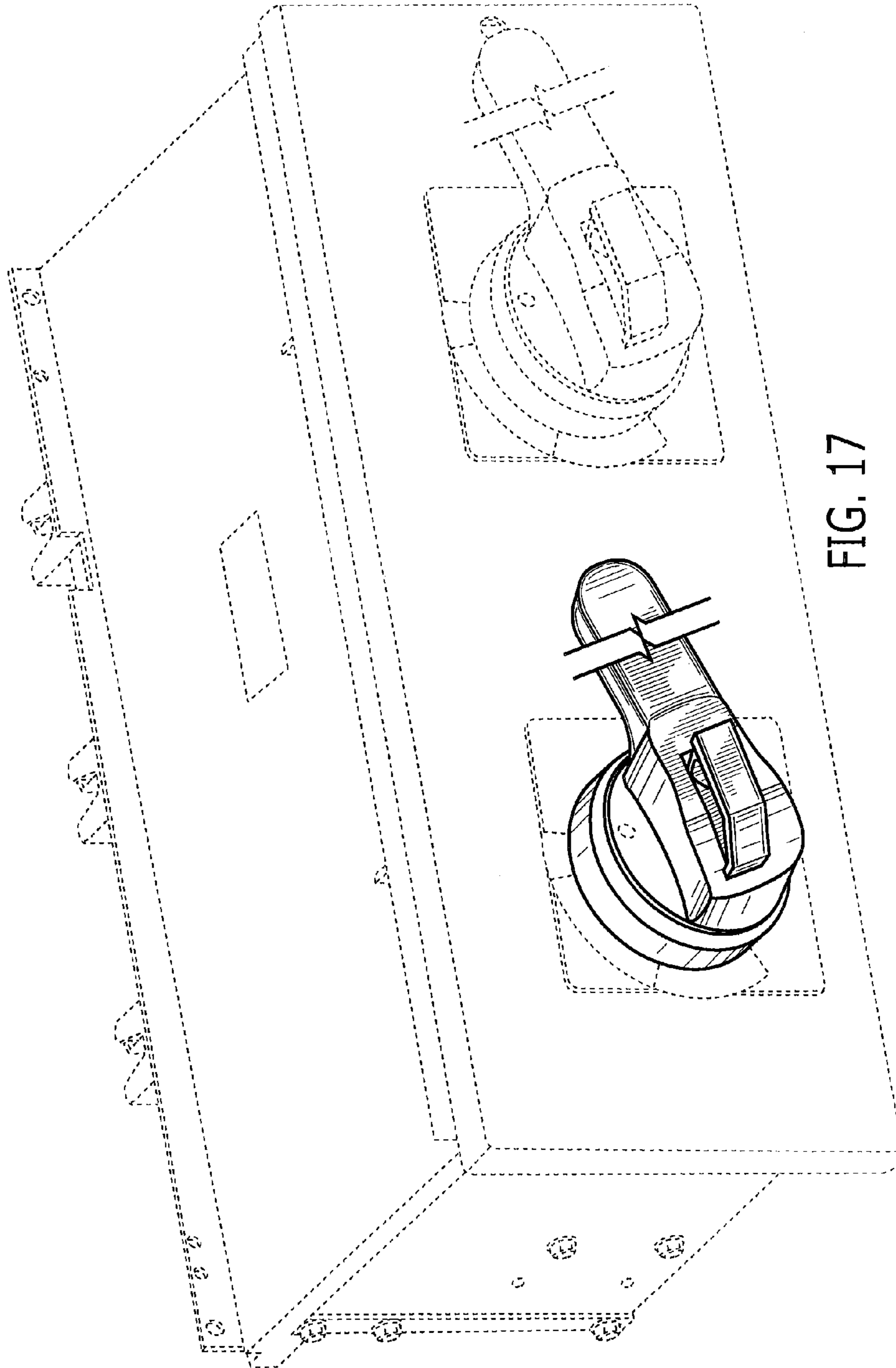


FIG. 17

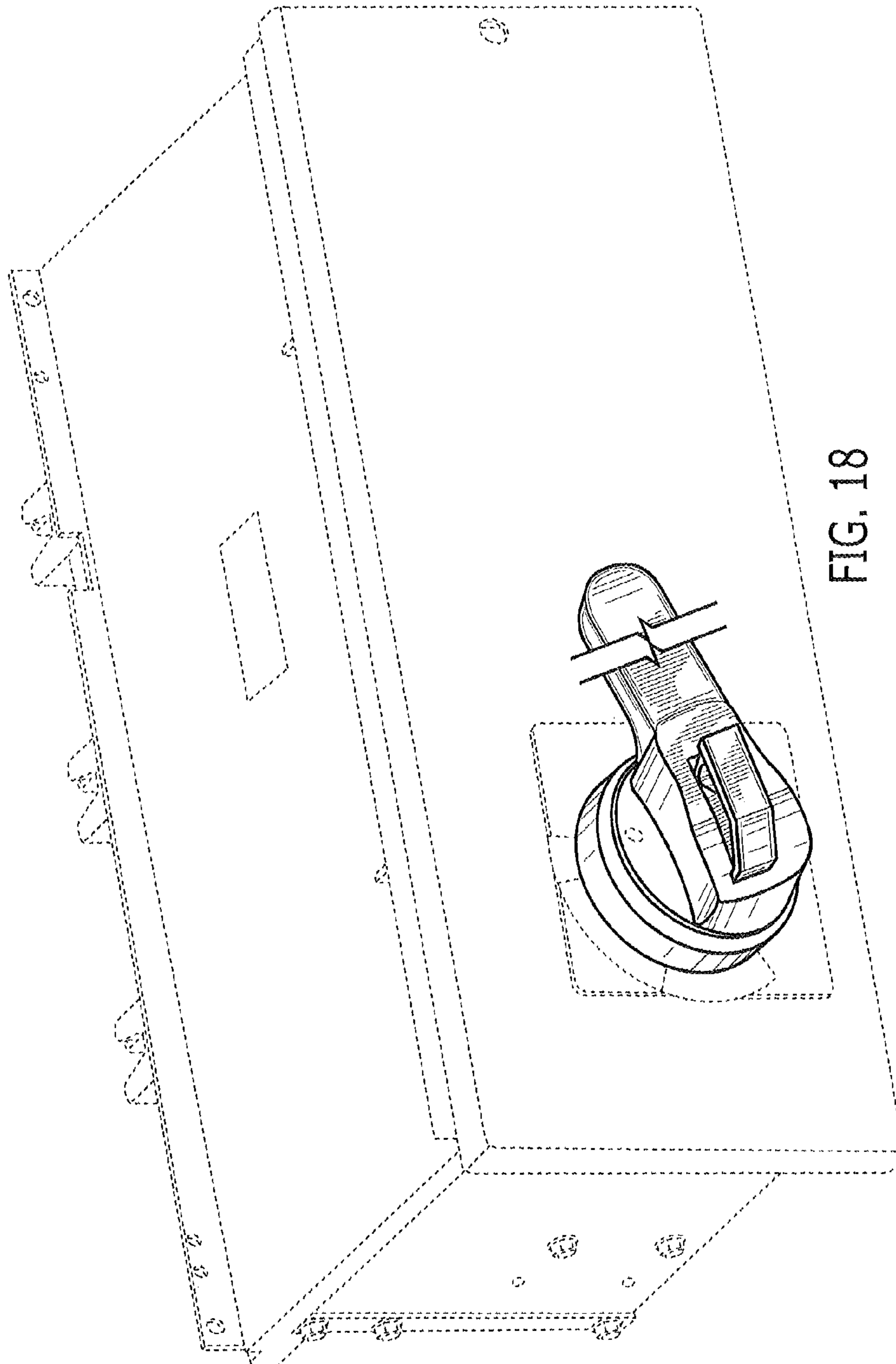


FIG. 18

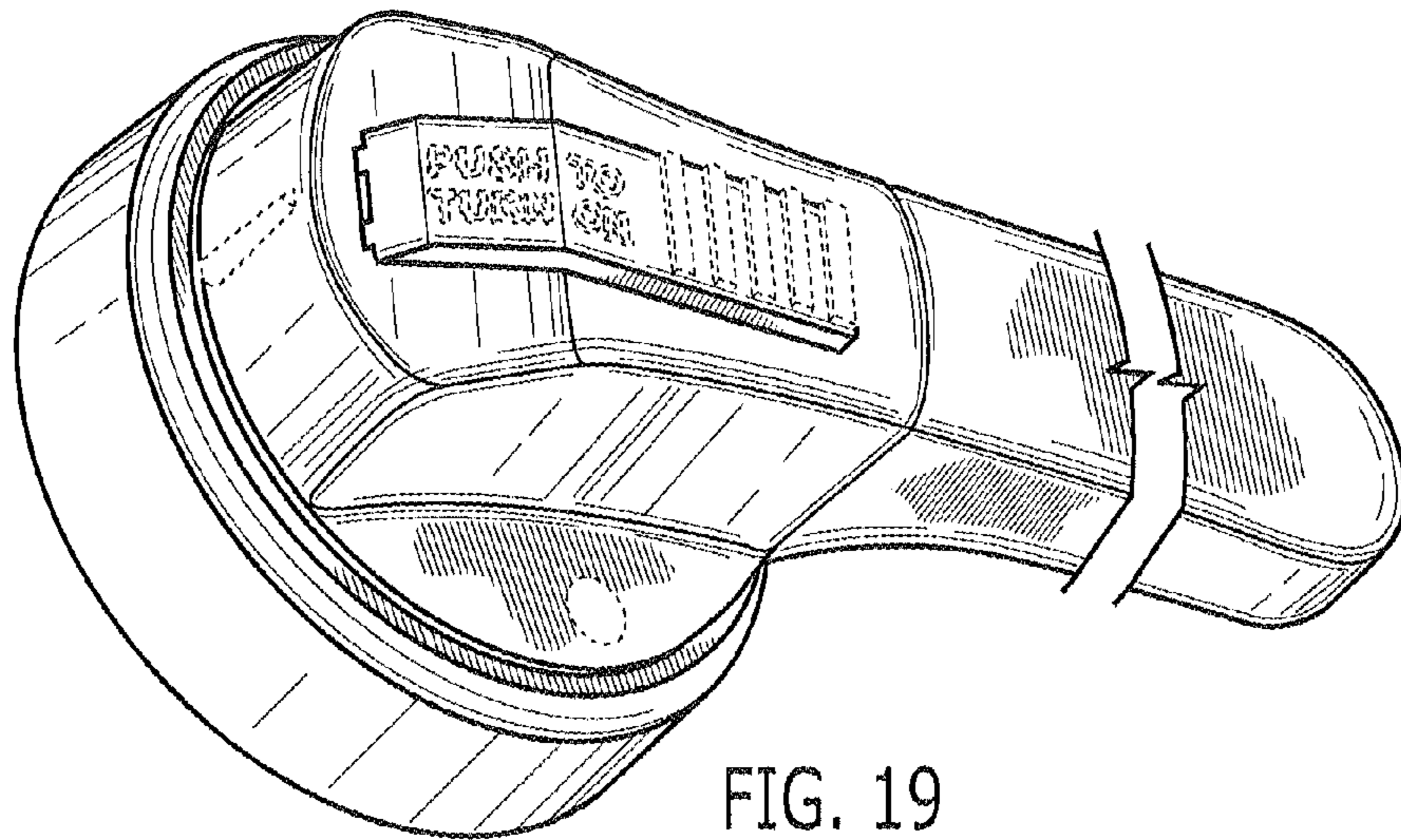


FIG. 19

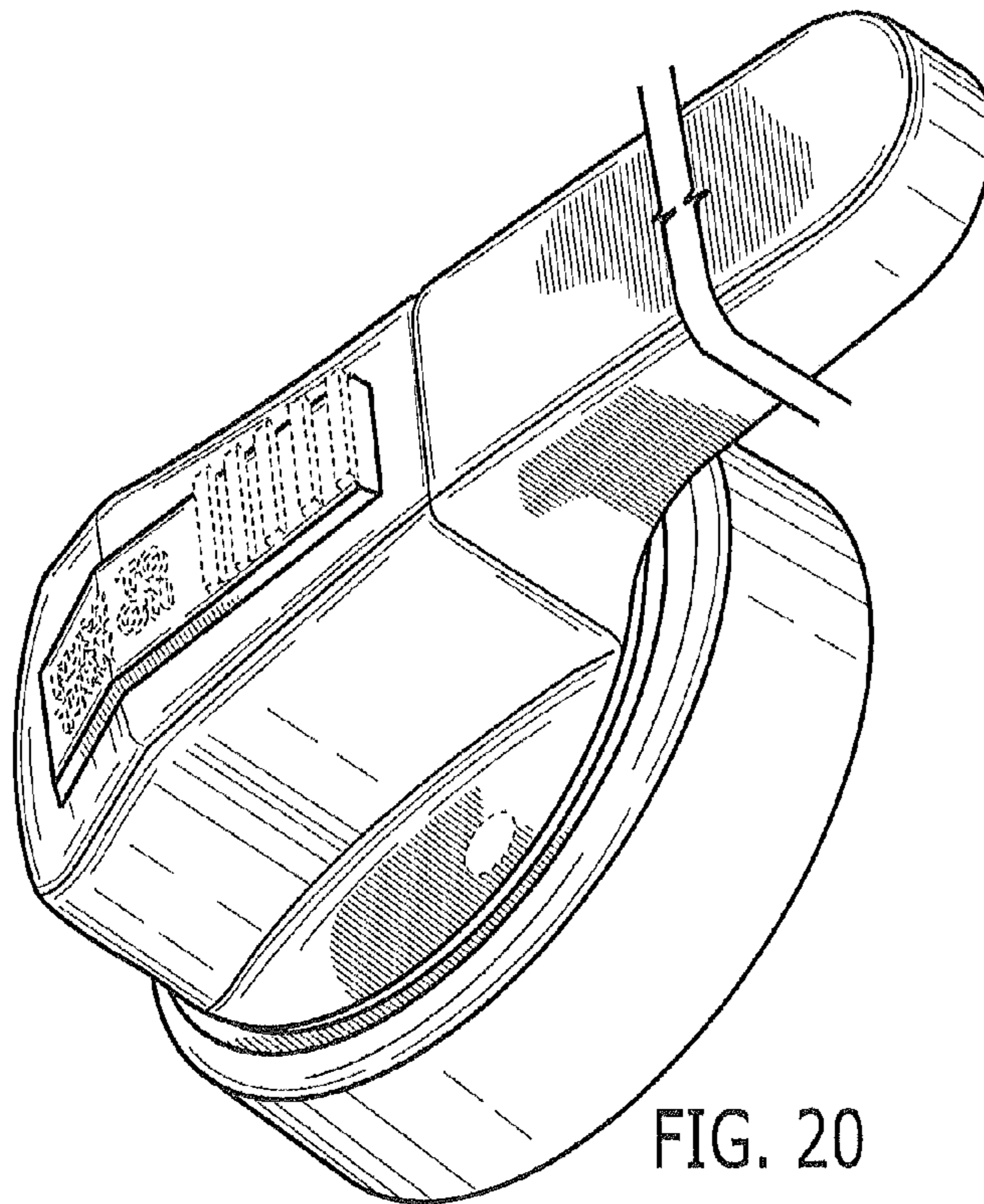
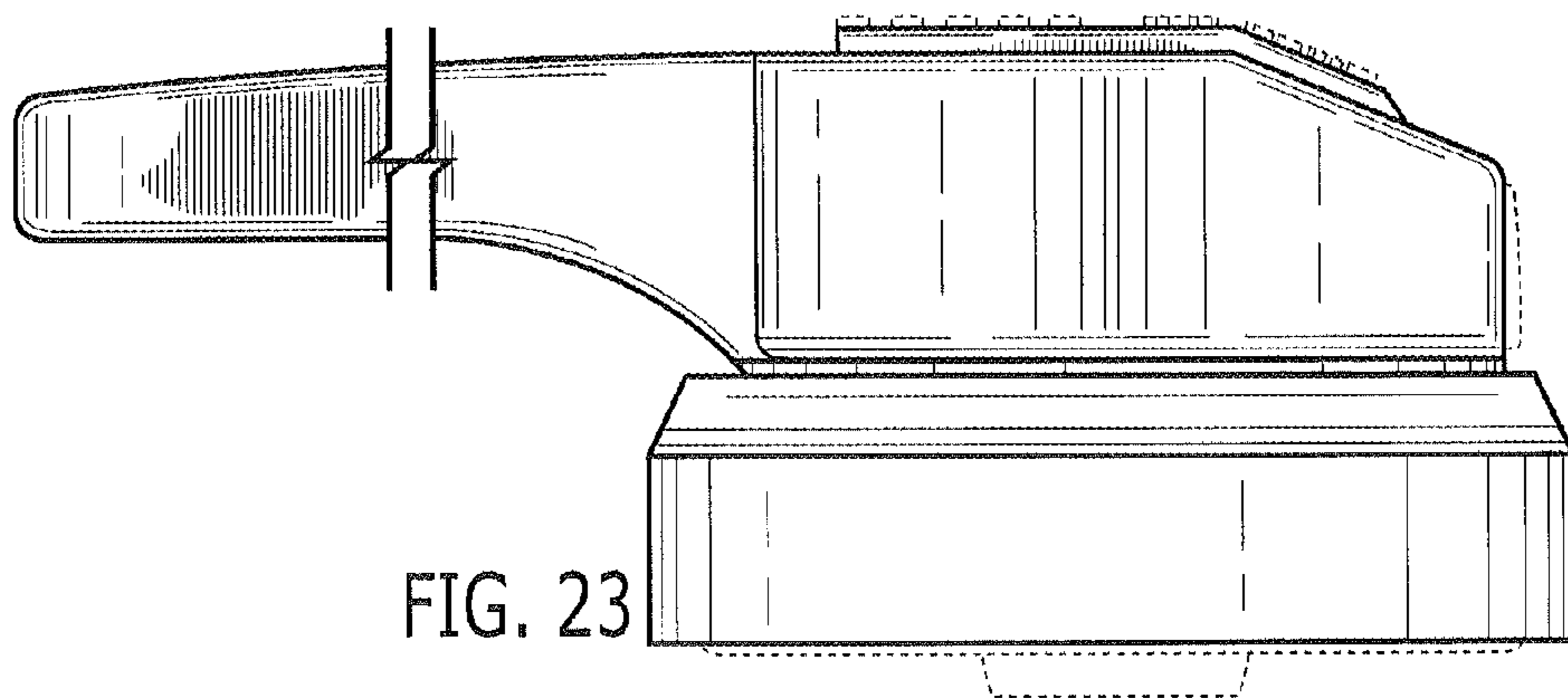
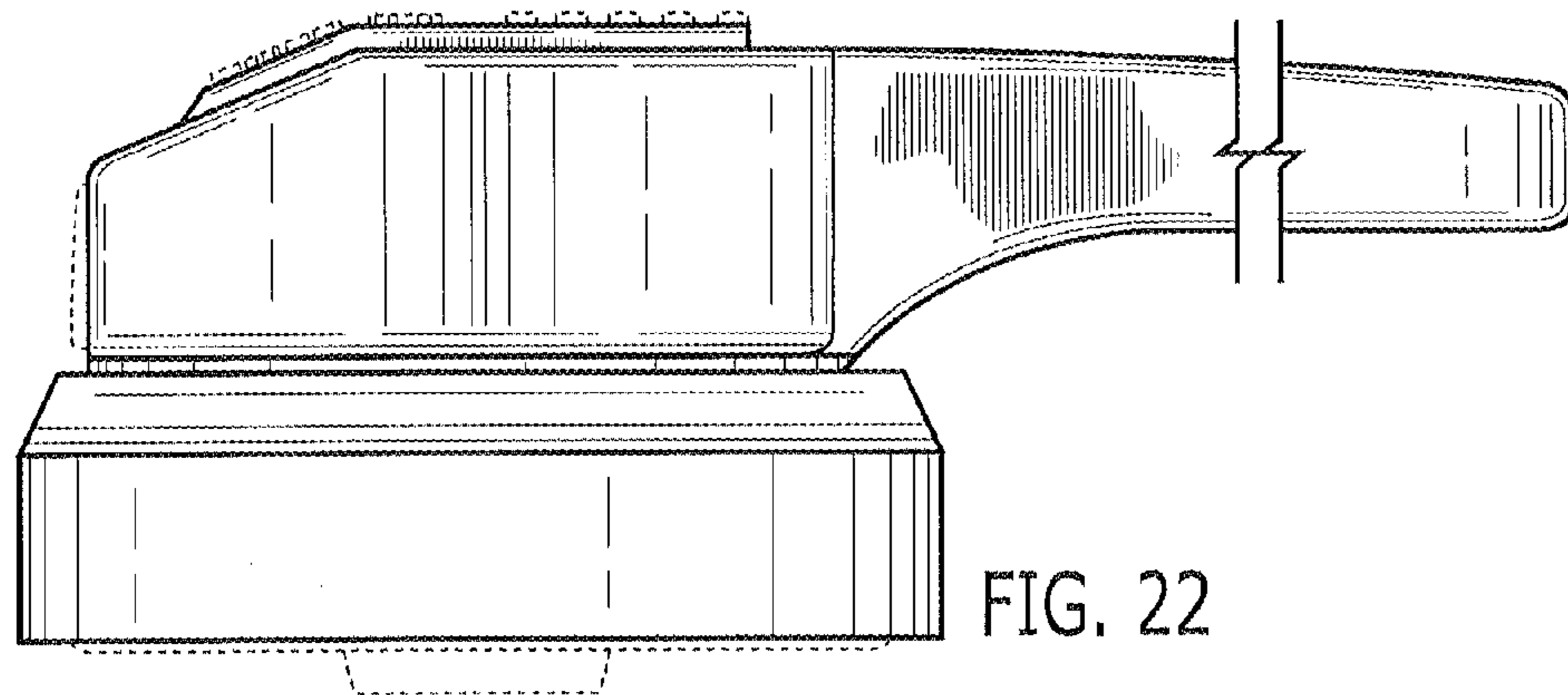
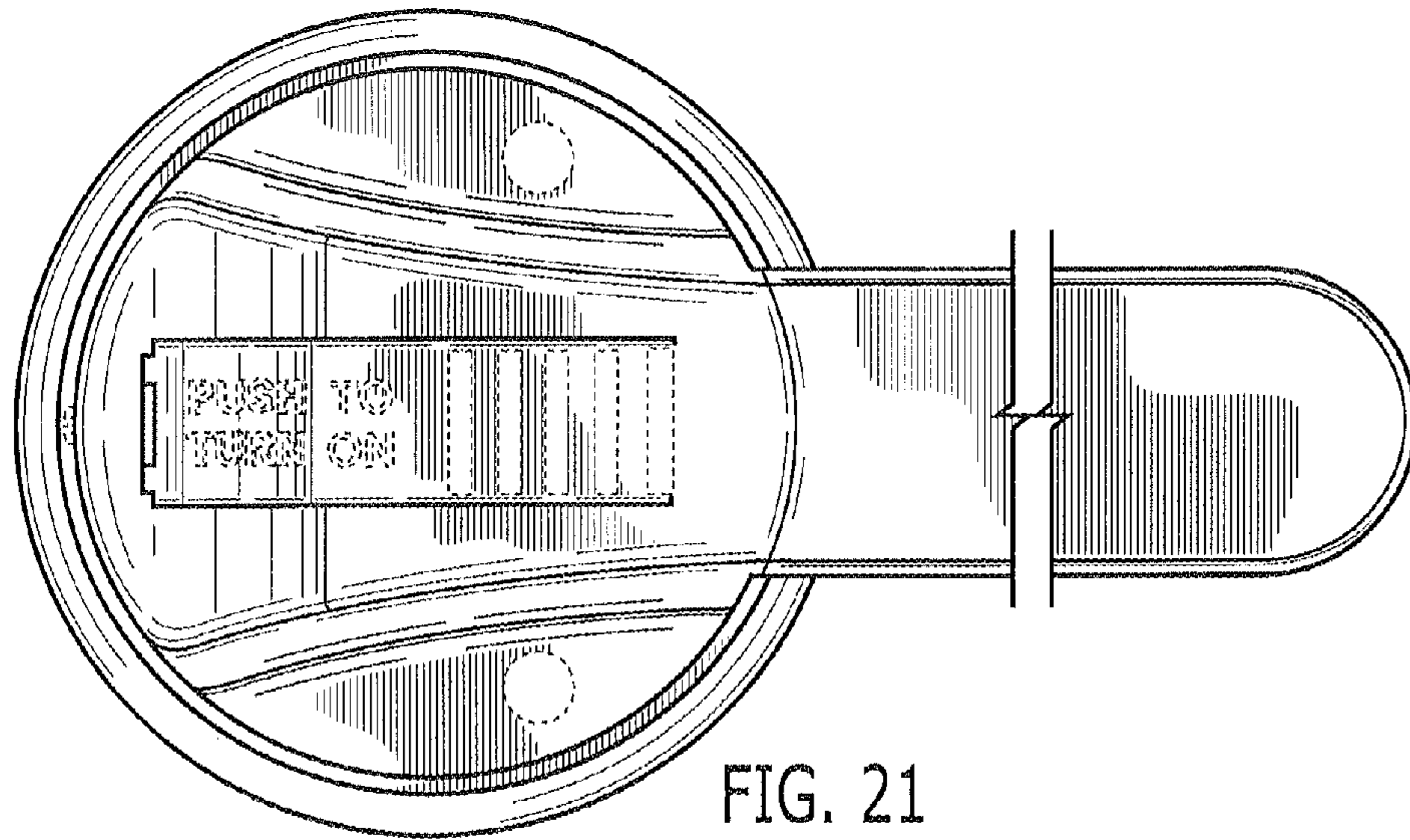


FIG. 20



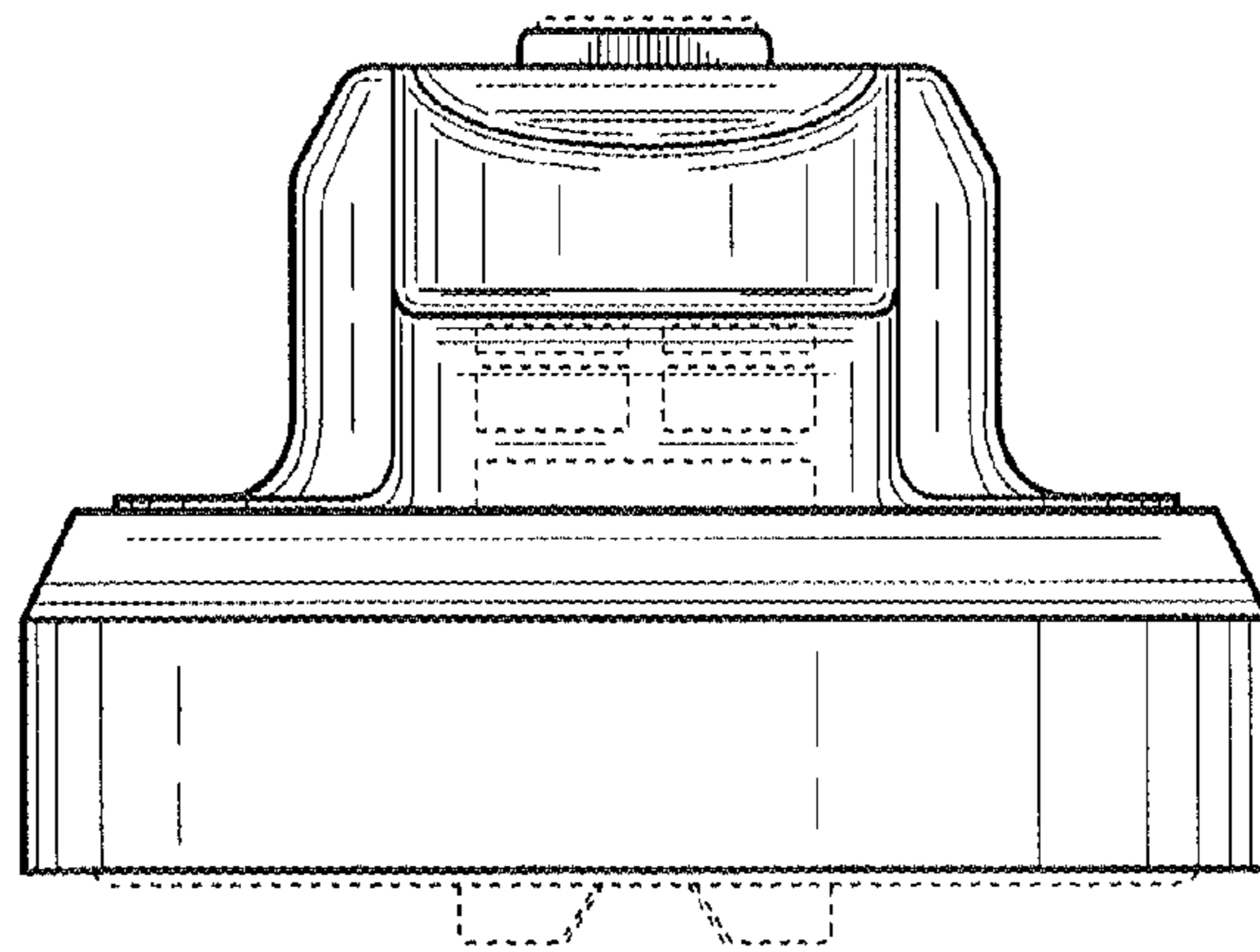


FIG. 24

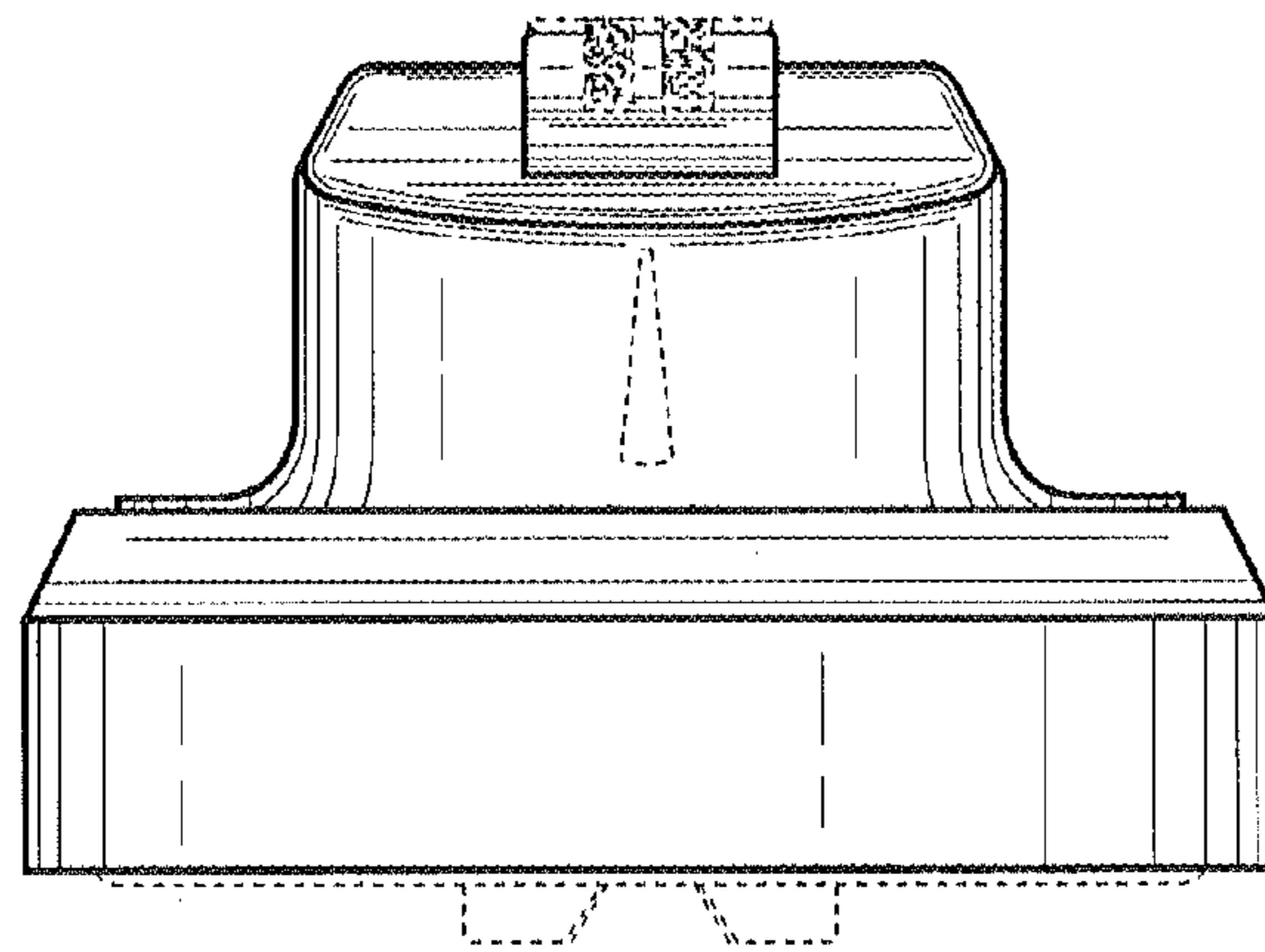


FIG. 25

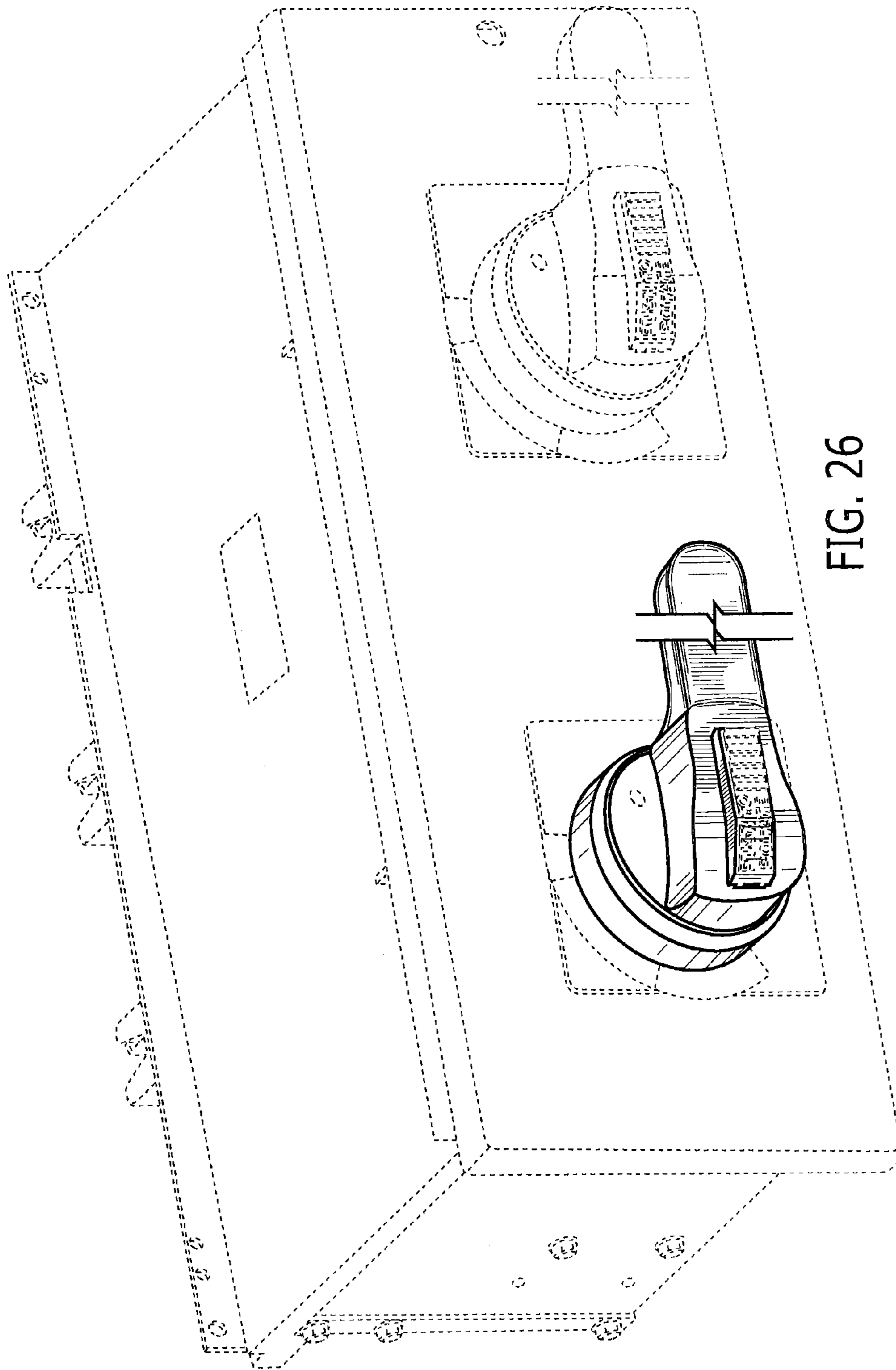
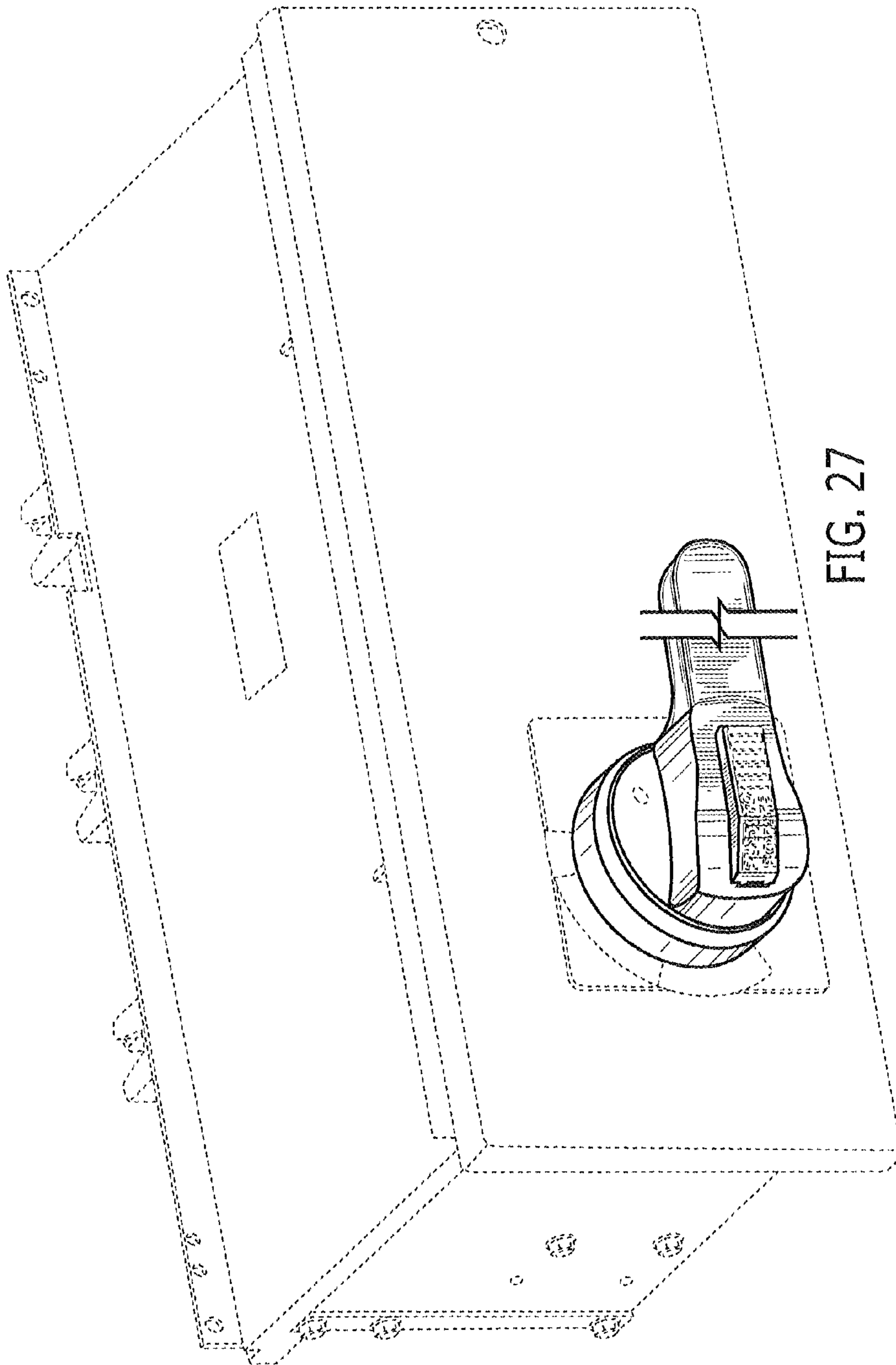
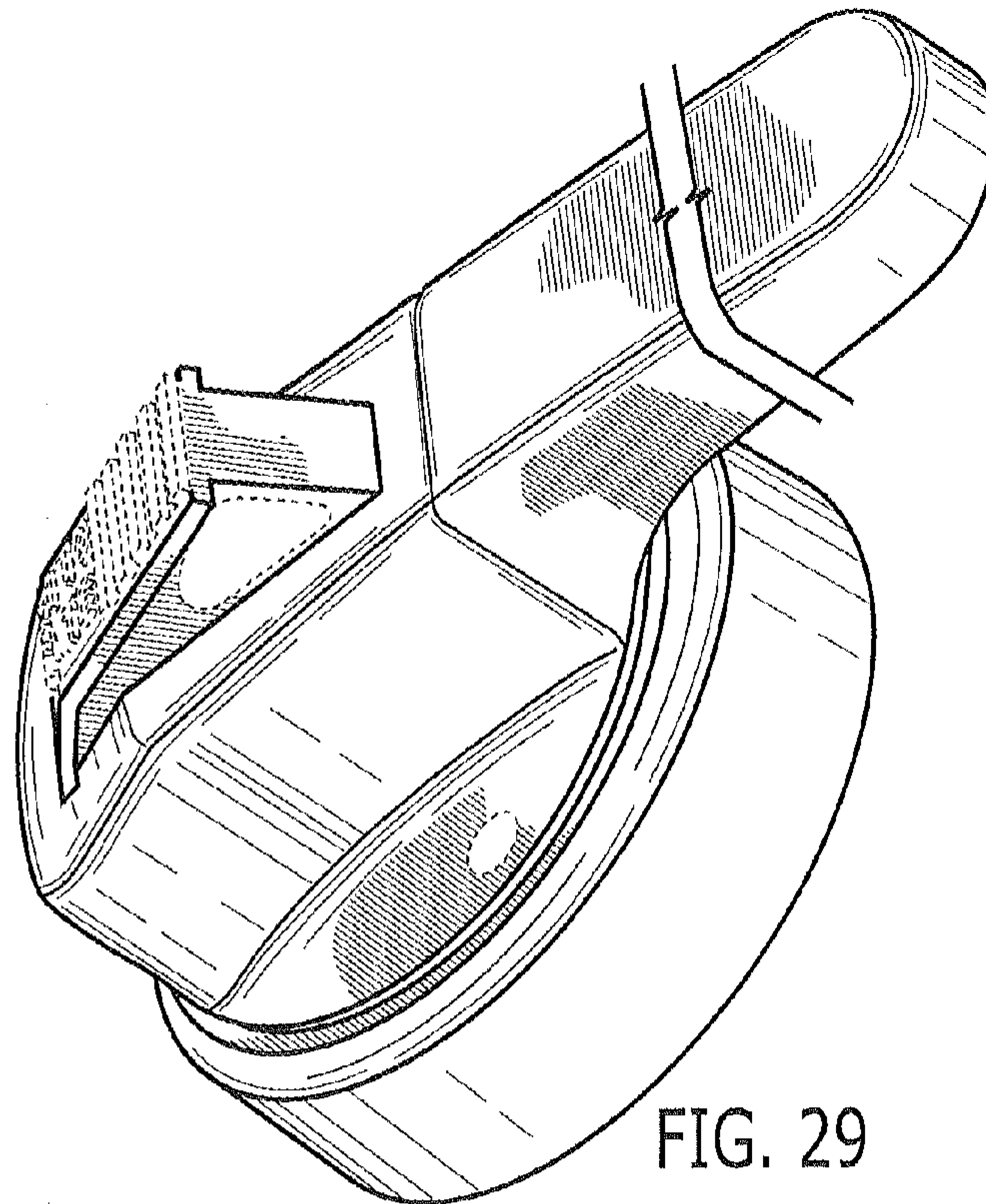
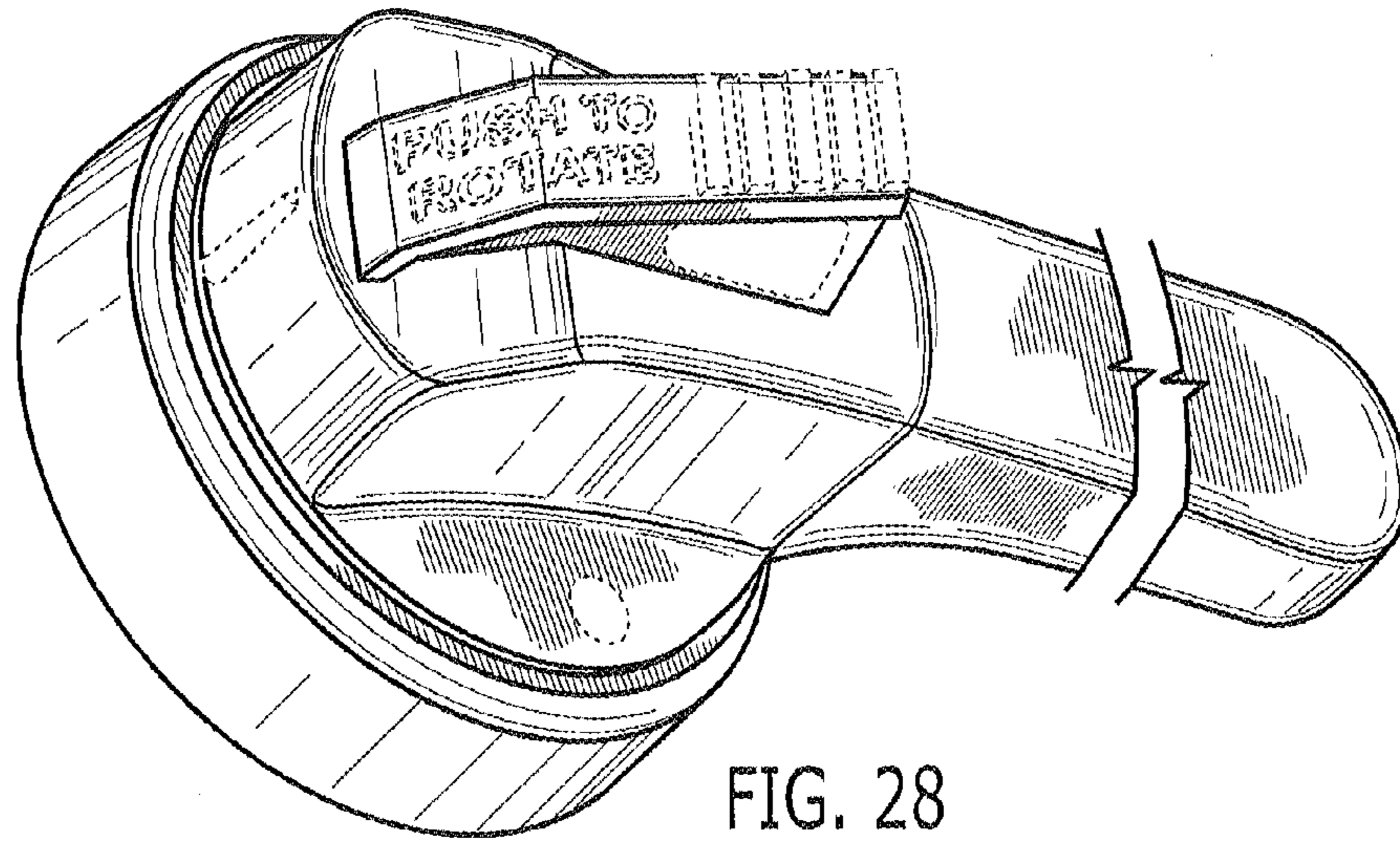
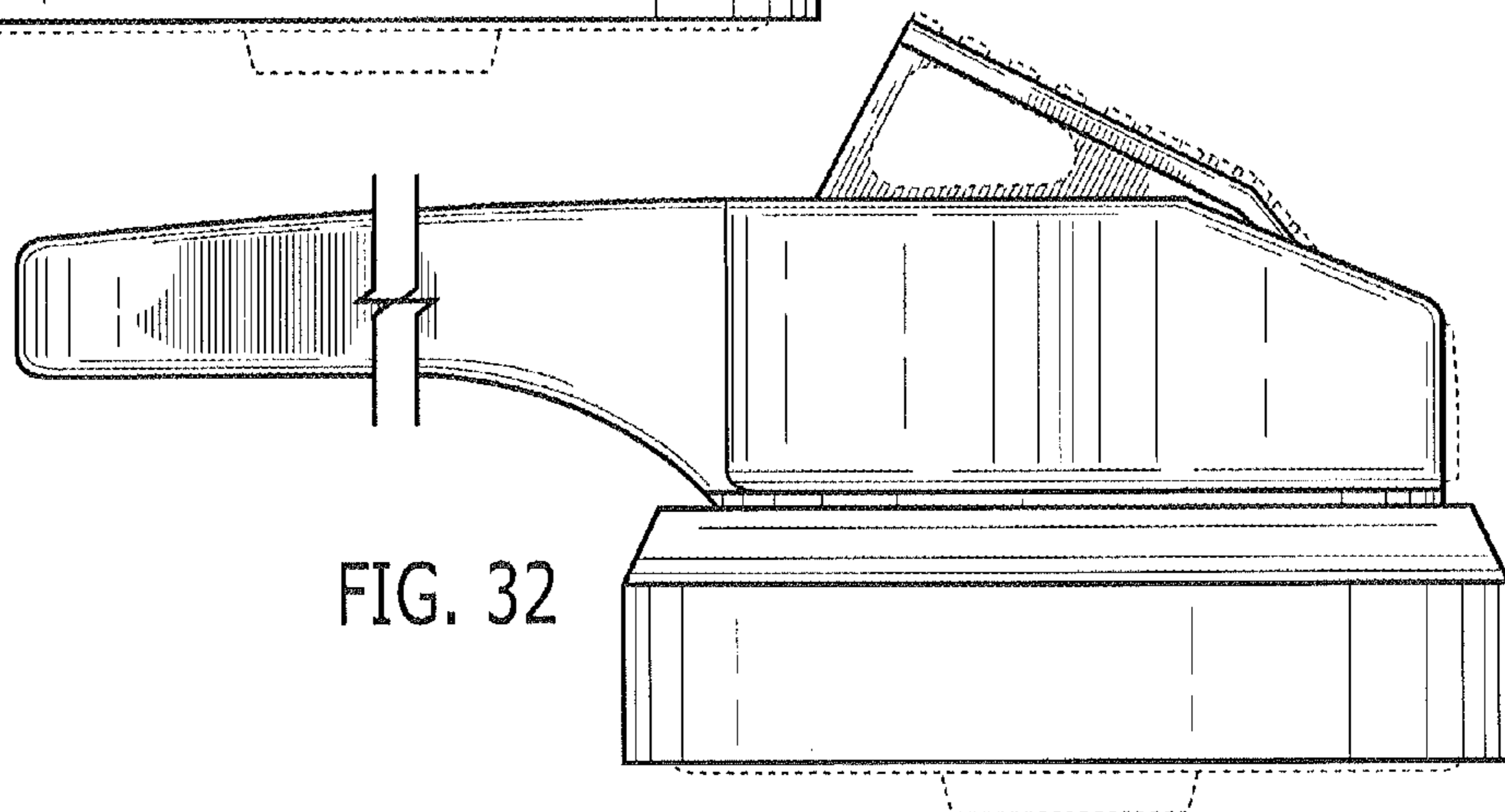
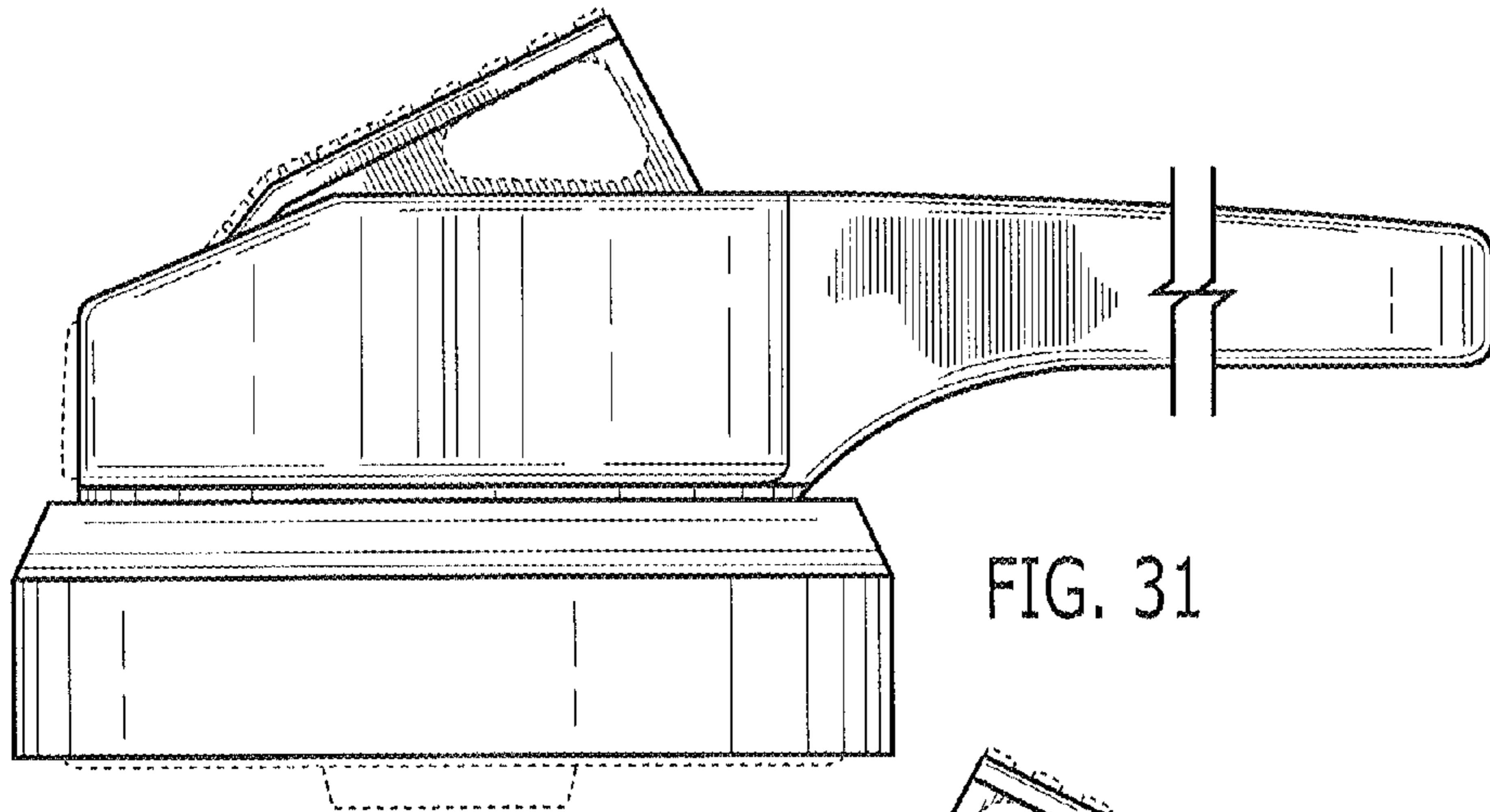
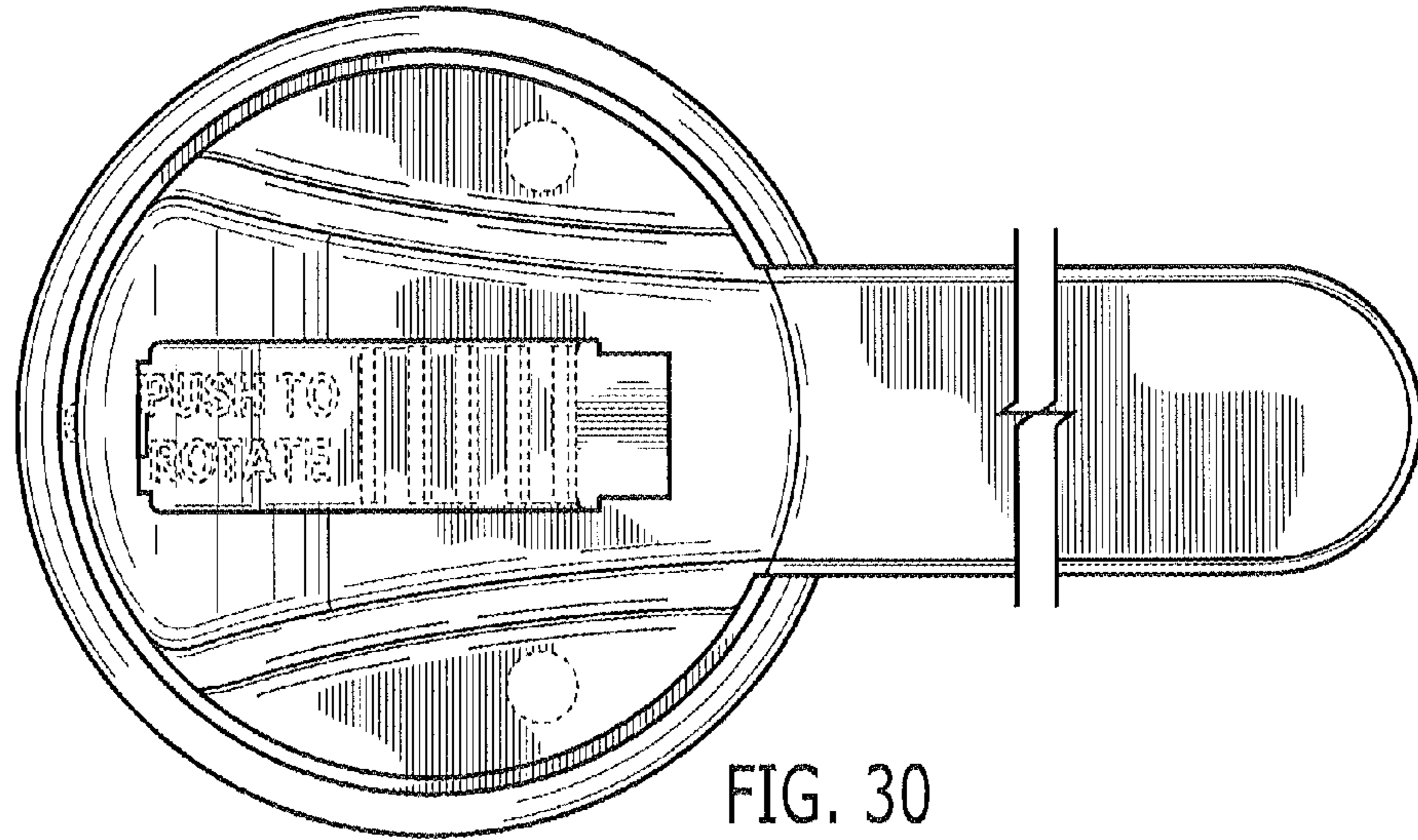


FIG. 26







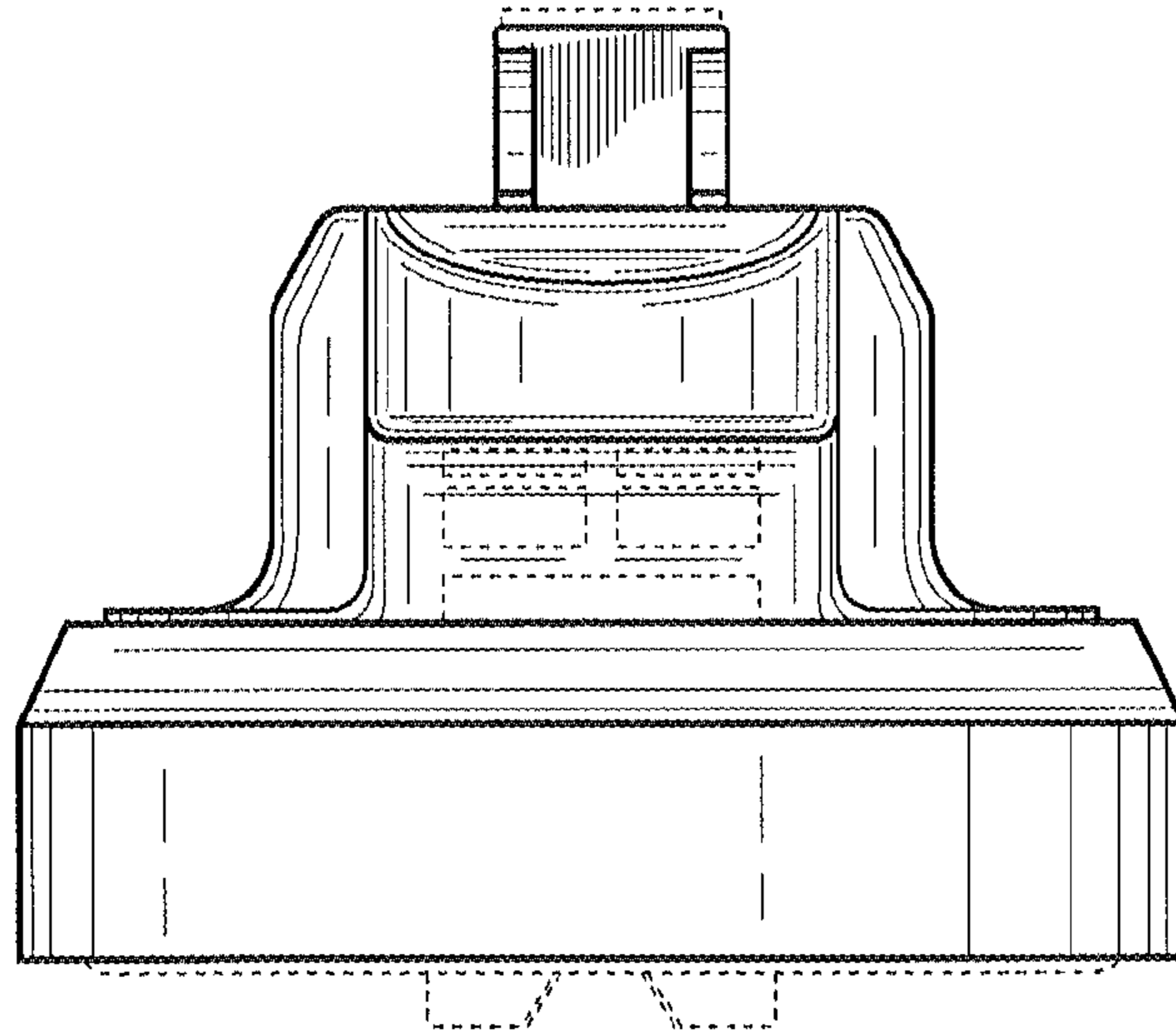


FIG. 33

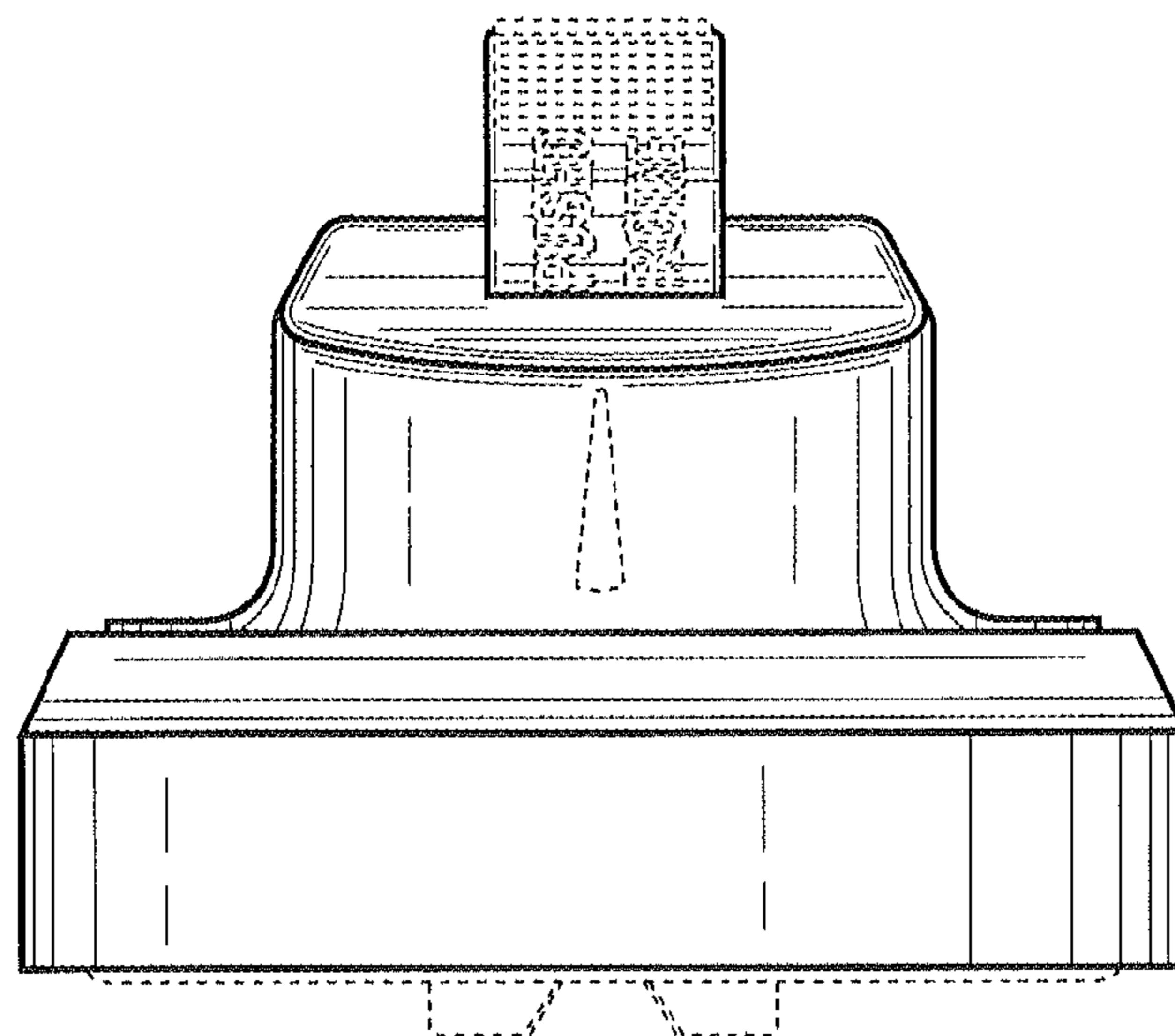


FIG. 34

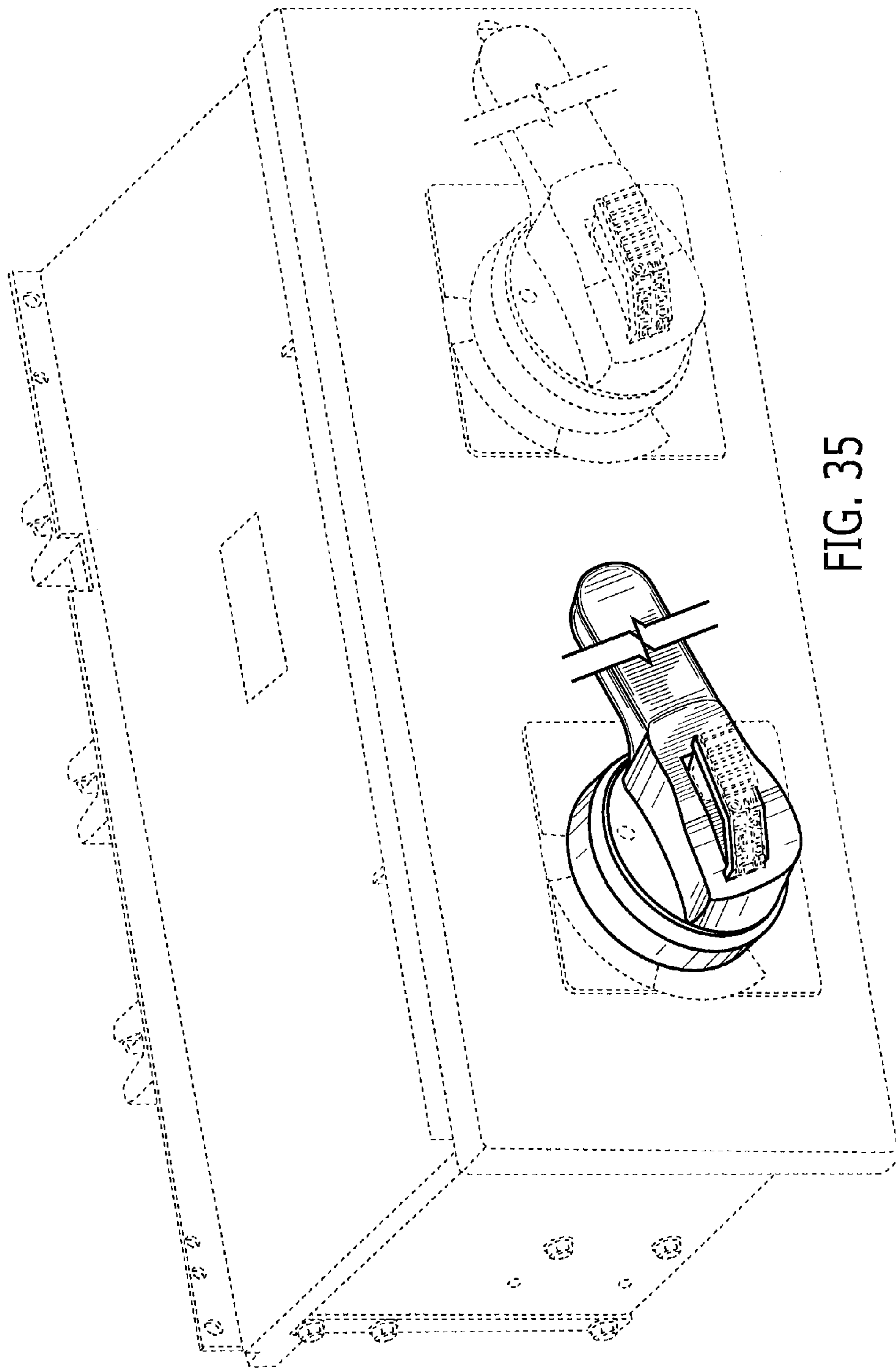


FIG. 35

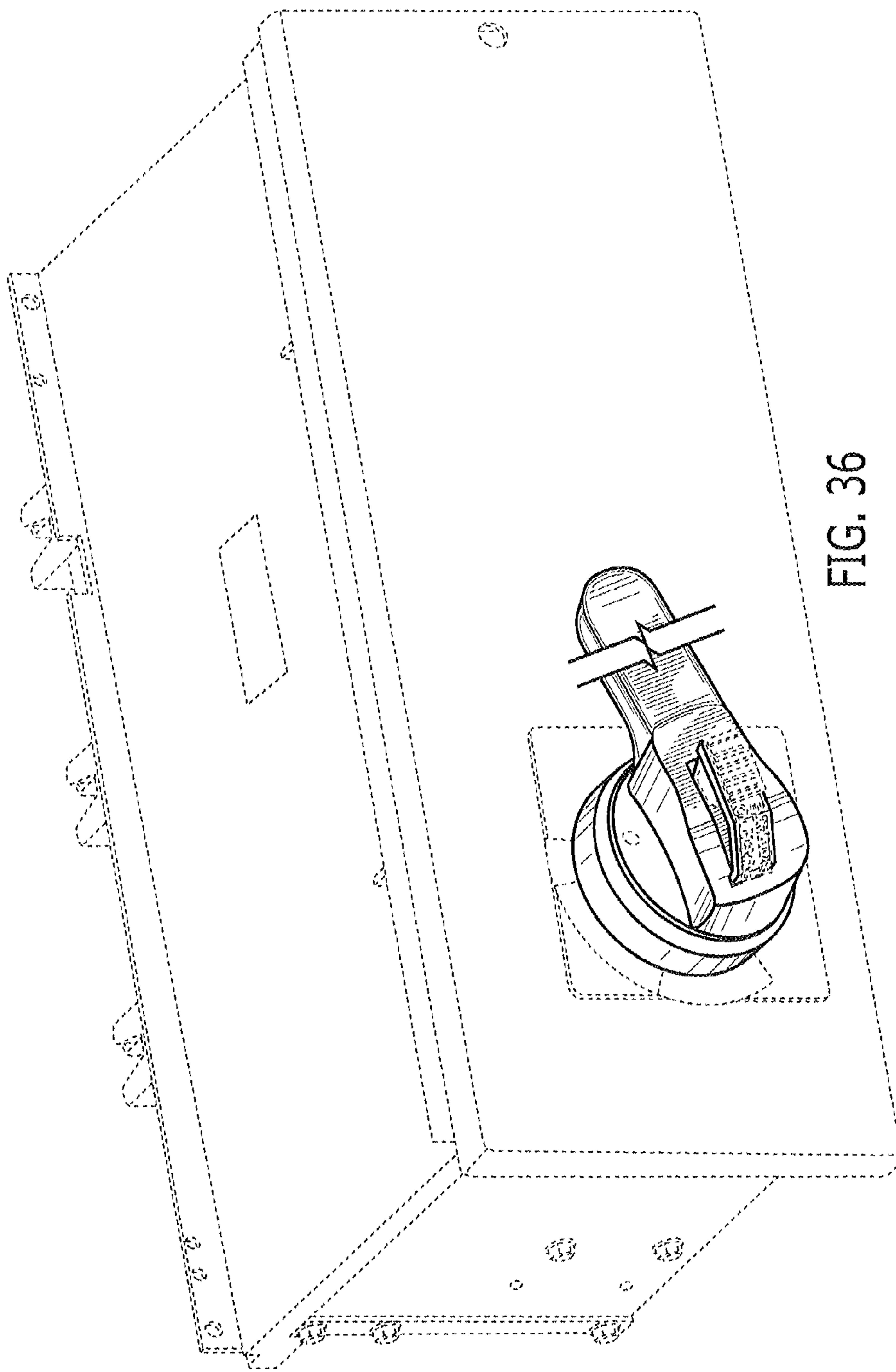


FIG. 36