



US00D750575S

(12) **United States Design Patent**
Paredes et al.

(10) **Patent No.:** **US D750,575 S**
(45) **Date of Patent:** **** Mar. 1, 2016**

(54) **BARRIER OPERATOR**

(71) Applicant: **The Chamberlain Group, Inc.**,
Elmhurst, IL (US)

(72) Inventors: **Apollo Paul Paredes**, Taylor, MI (US);
Eric Peterson, North Aurora, IL (US)

(**) Term: **14 Years**

(21) Appl. No.: **29/504,120**

(22) Filed: **Oct. 2, 2014**

Related U.S. Application Data

(63) Continuation-in-part of application No. 29/488,312,
filed on Apr. 17, 2014.

(51) **LOC (10) Cl.** **14-03**

(52) **U.S. Cl.**
USPC **D13/168**

(58) **Field of Classification Search**
USPC D13/168; D10/104.1, 106.1; D14/218,
D14/402-410, 454

CPC H03J 1/0025; H03J 9/00; H03J 9/02;
H03J 9/04; H03J 9/06; H01H 9/0235; H04B
1/202; G05B 11/01; G08C 17/00; G08C
17/02; G08C 19/28; G08C 23/04; G08C
2201/20; G08C 2201/30; G08C 2201/33;
G08C 2201/40; G08C 2201/91; G08C
2201/92; E05Y 2900/106; G07C 9/00182;
G07C 9/00309

See application file for complete search history.

(56) **References Cited**

U.S. PATENT DOCUMENTS

D335,875 S 5/1993 Chen
D377,459 S 1/1997 Dziarsk
D386,163 S 11/1997 Cheng

D450,701 S 11/2001 Koeller
6,377,173 B1 * 4/2002 Desai 340/426.36
6,525,645 B2 * 2/2003 King et al. 340/5.7
D493,149 S * 7/2004 Murtaugh et al. D13/168
D495,665 S 9/2004 Stekelenburg
D497,880 S 11/2004 Apotheloz
D509,481 S 9/2005 Murtaugh
D542,235 S 5/2007 Rashid
7,215,238 B2 * 5/2007 Buck et al. 340/5.23
D589,906 S 4/2009 Tupinier
D667,381 S 9/2012 Rolli
8,976,006 B2 3/2015 Krupke
2007/0013477 A1 1/2007 Fitzgibbon
2007/0046231 A1 3/2007 Mullet
2007/0188120 A1 8/2007 Mullet
2007/0294961 A1 12/2007 Reed
2010/0242369 A1 9/2010 Laird

(Continued)

Primary Examiner — Selina Sikder

(74) *Attorney, Agent, or Firm* — Fitch Even Tabin &
Flannery LLP

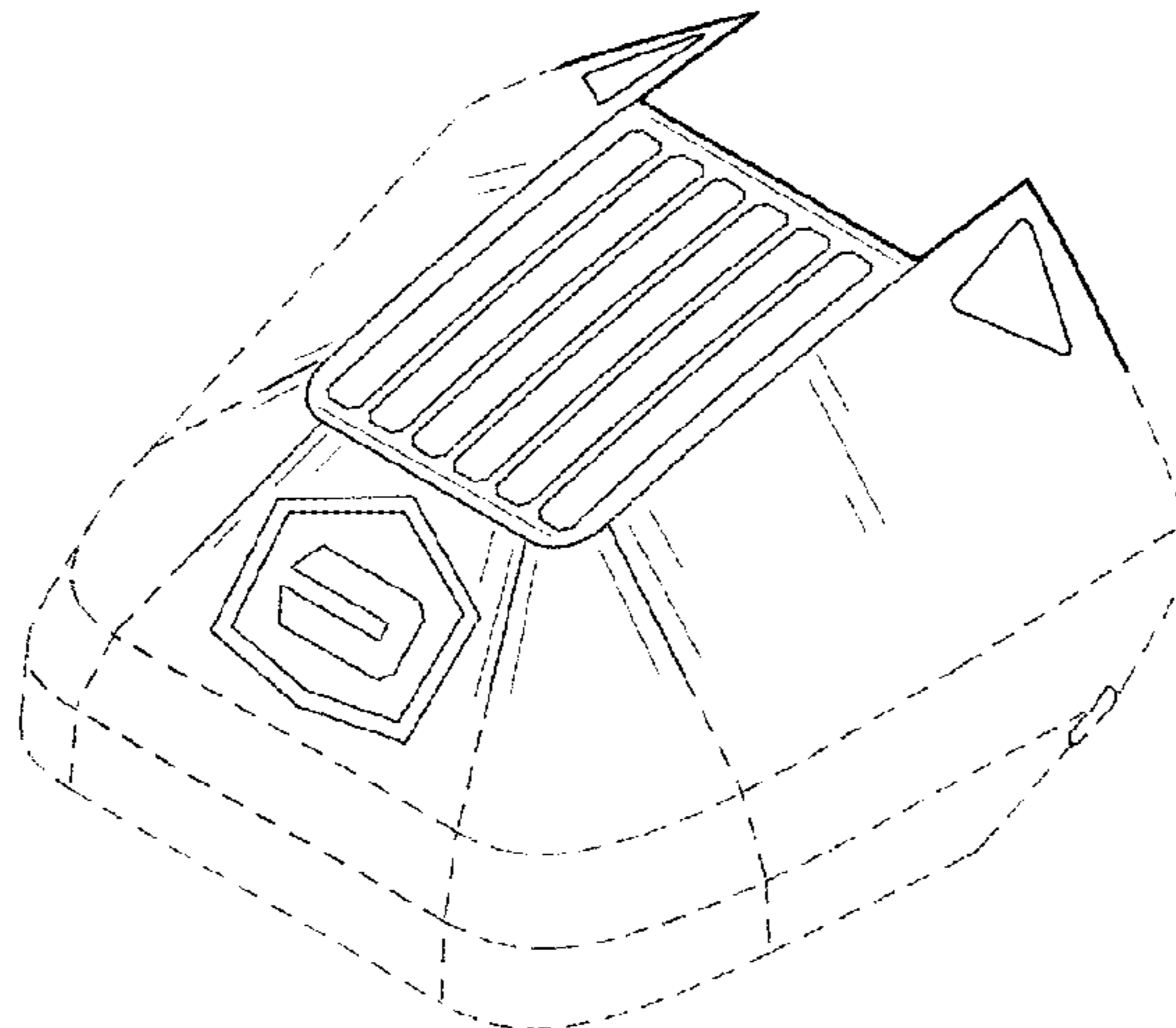
(57) **CLAIM**

We claim the ornamental design for a barrier operator, as
shown and described.

DESCRIPTION

FIG. 1 is a top perspective view of our new design comprising
a barrier operator;
FIG. 2 is a top view of the barrier operator of FIG. 1;
FIG. 3 is a bottom view of the barrier operator of FIG. 1;
FIG. 4 is a left side view of the barrier operator of FIG. 1;
FIG. 5 is a right side view of the barrier operator of FIG. 1;
FIG. 6 is a rear view of the barrier operator of FIG. 1; and,
FIG. 7 is a front view of the barrier operator of FIG. 1.
The broken lines shown in the drawings are for illustrative
purposes only and form no part of the claimed design.

1 Claim, 4 Drawing Sheets



(56)

References Cited

U.S. PATENT DOCUMENTS

2013/0176243	A1*	7/2013	BianRosa et al.	345/173
2014/0320263	A1	10/2014	Fan	
2014/0368322	A1	12/2014	Mullet	
2013/0027181	A1	1/2013	King	
2013/0063259	A1*	3/2013	Kramer et al.	340/539.11

* cited by examiner

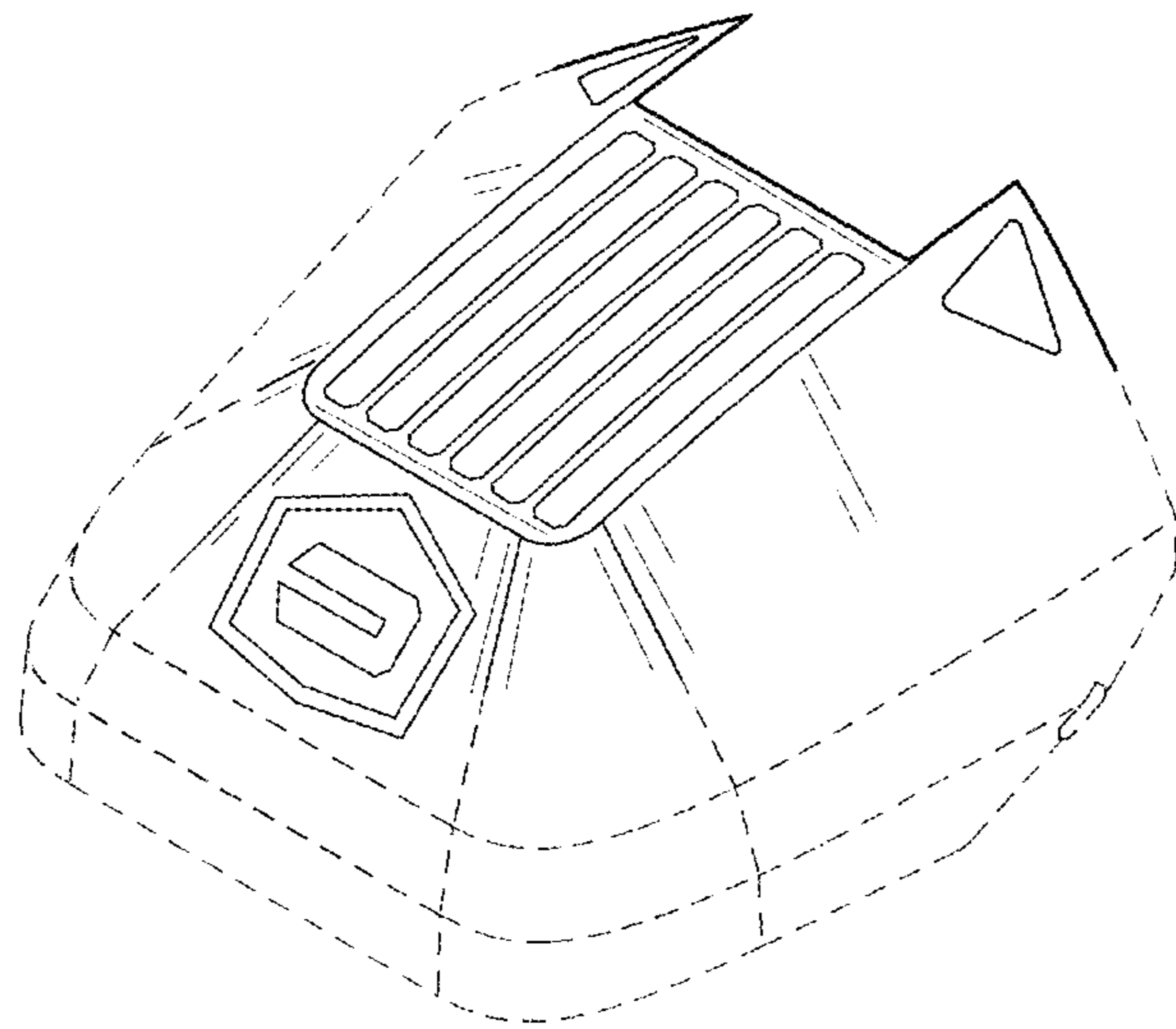


FIG. 1

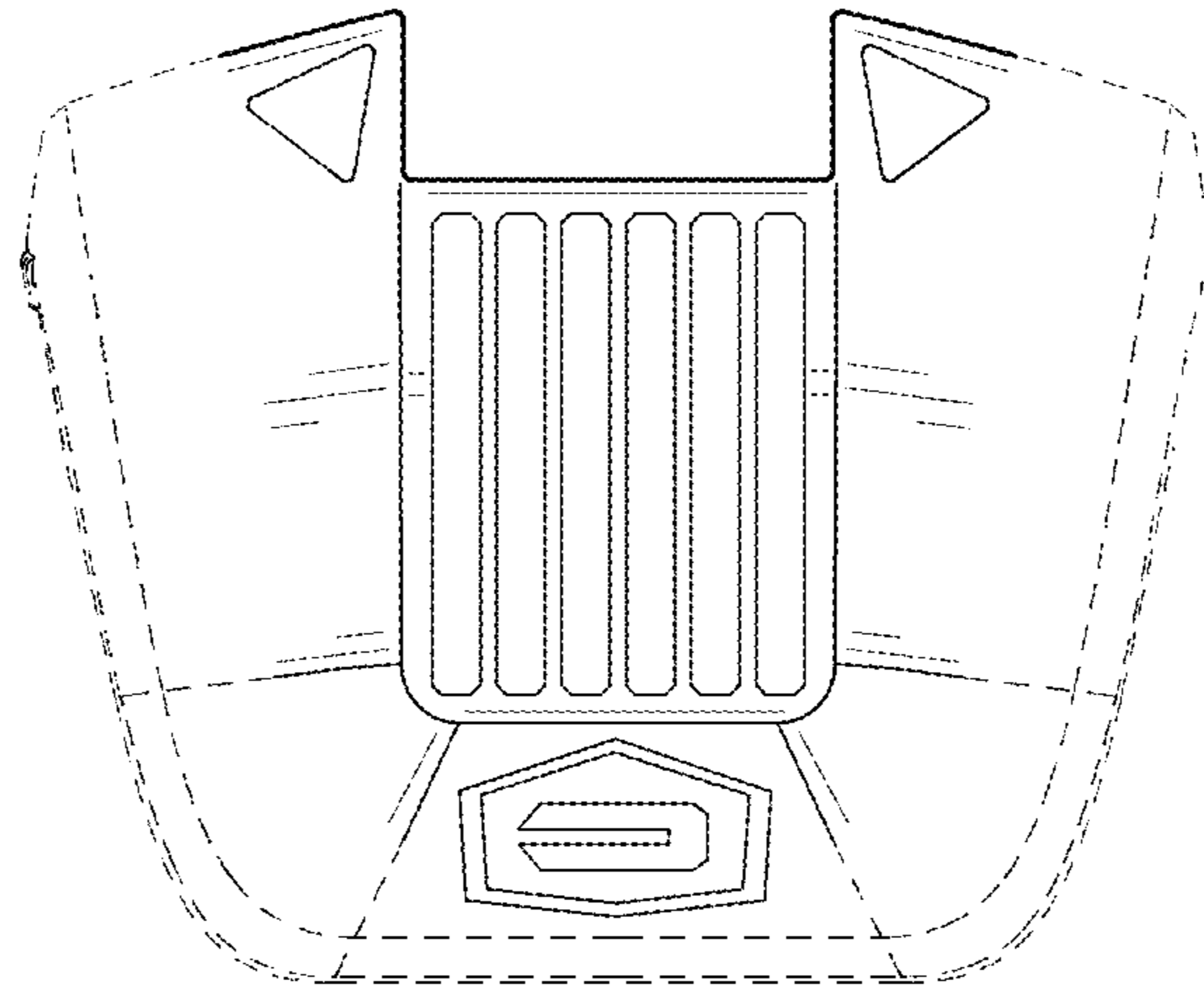


FIG. 2

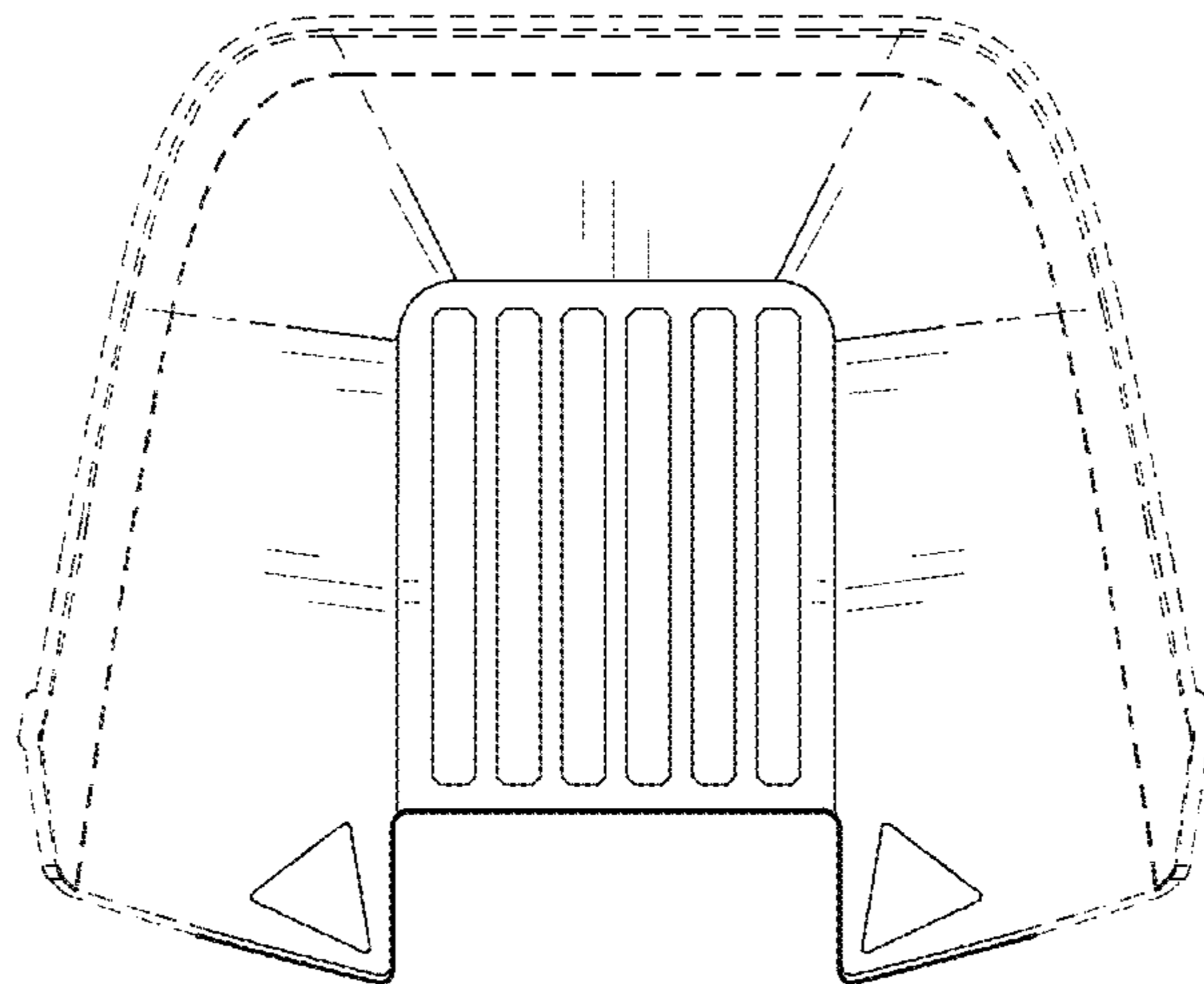


FIG. 3

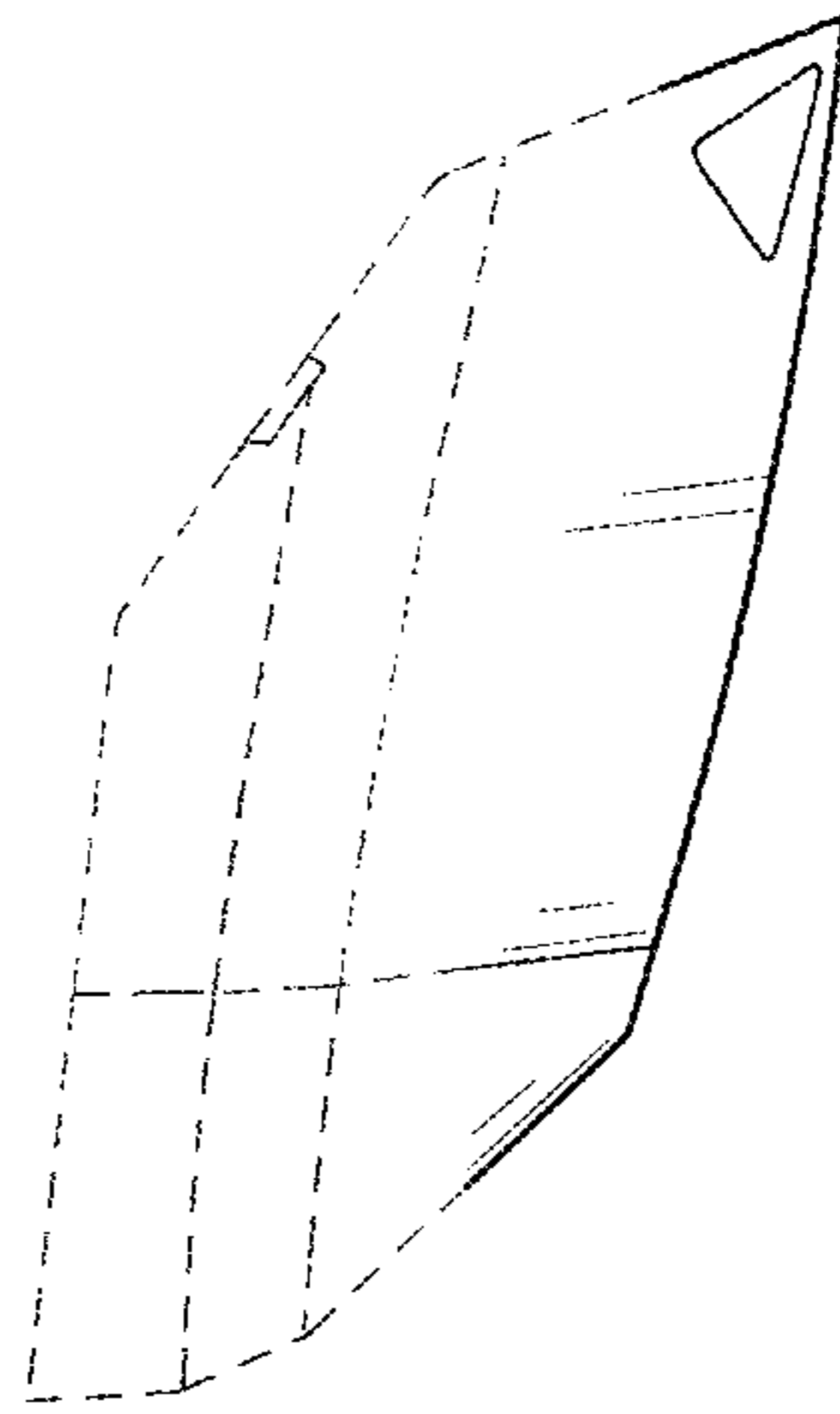


FIG. 4

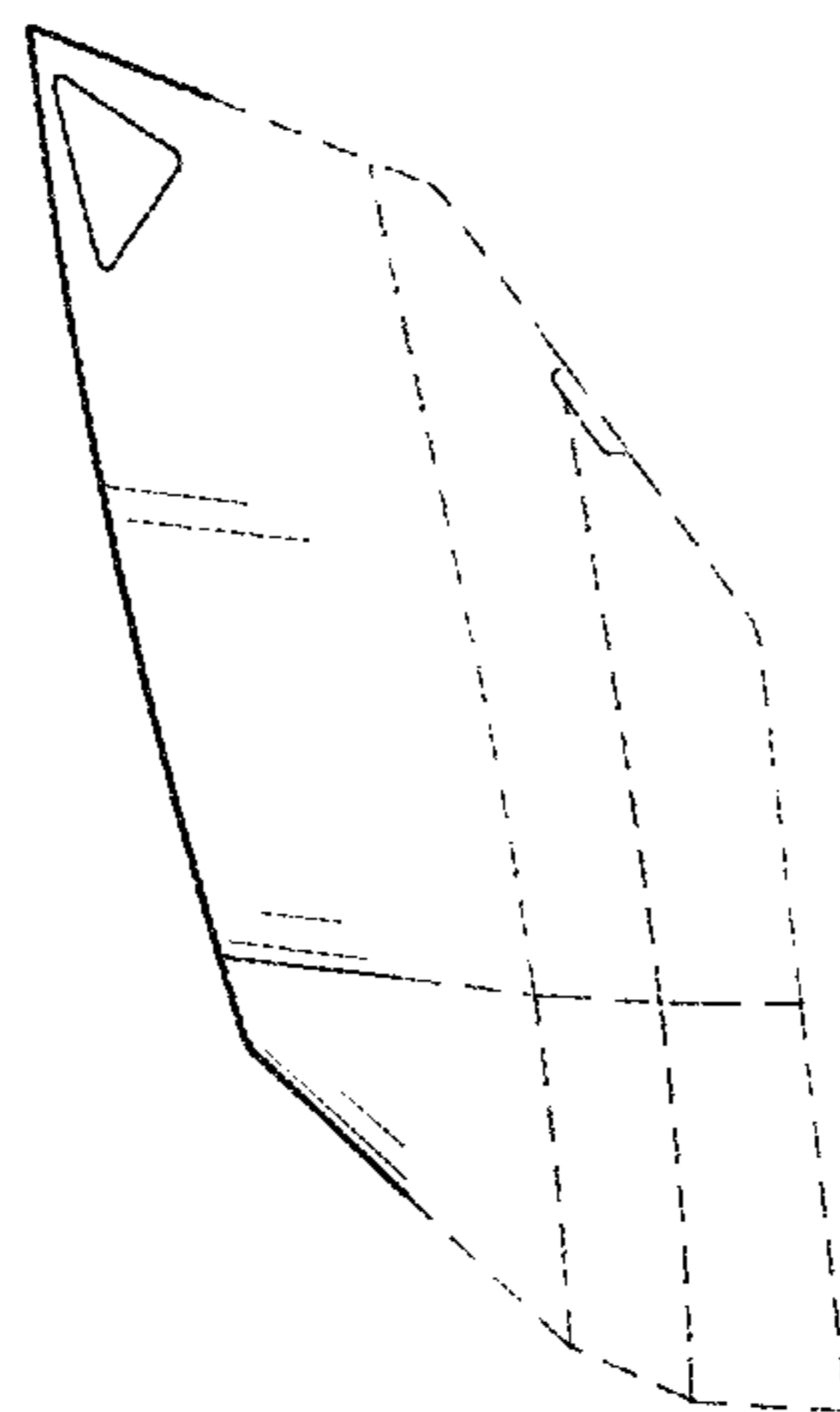


FIG. 5

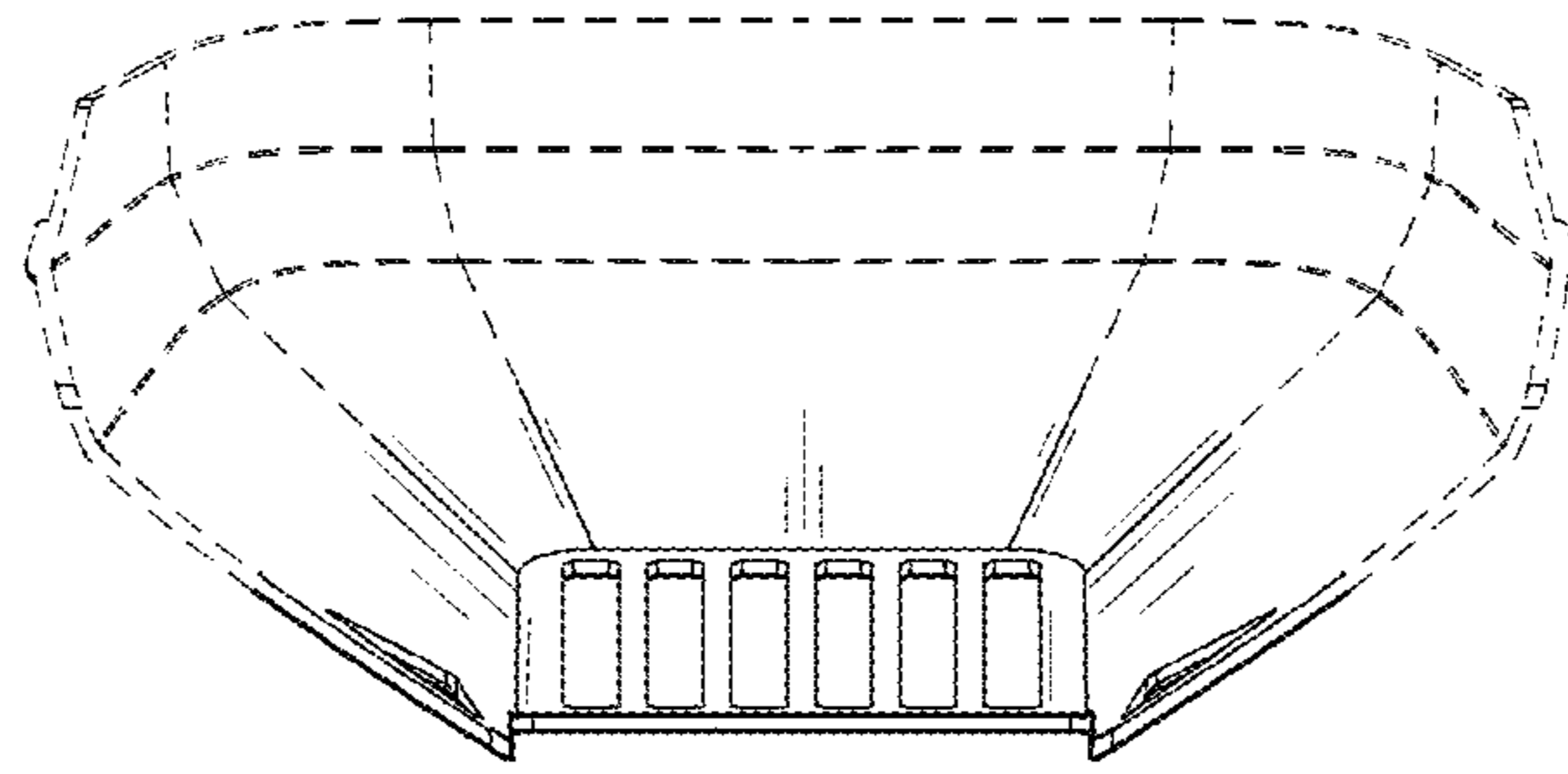


FIG. 6

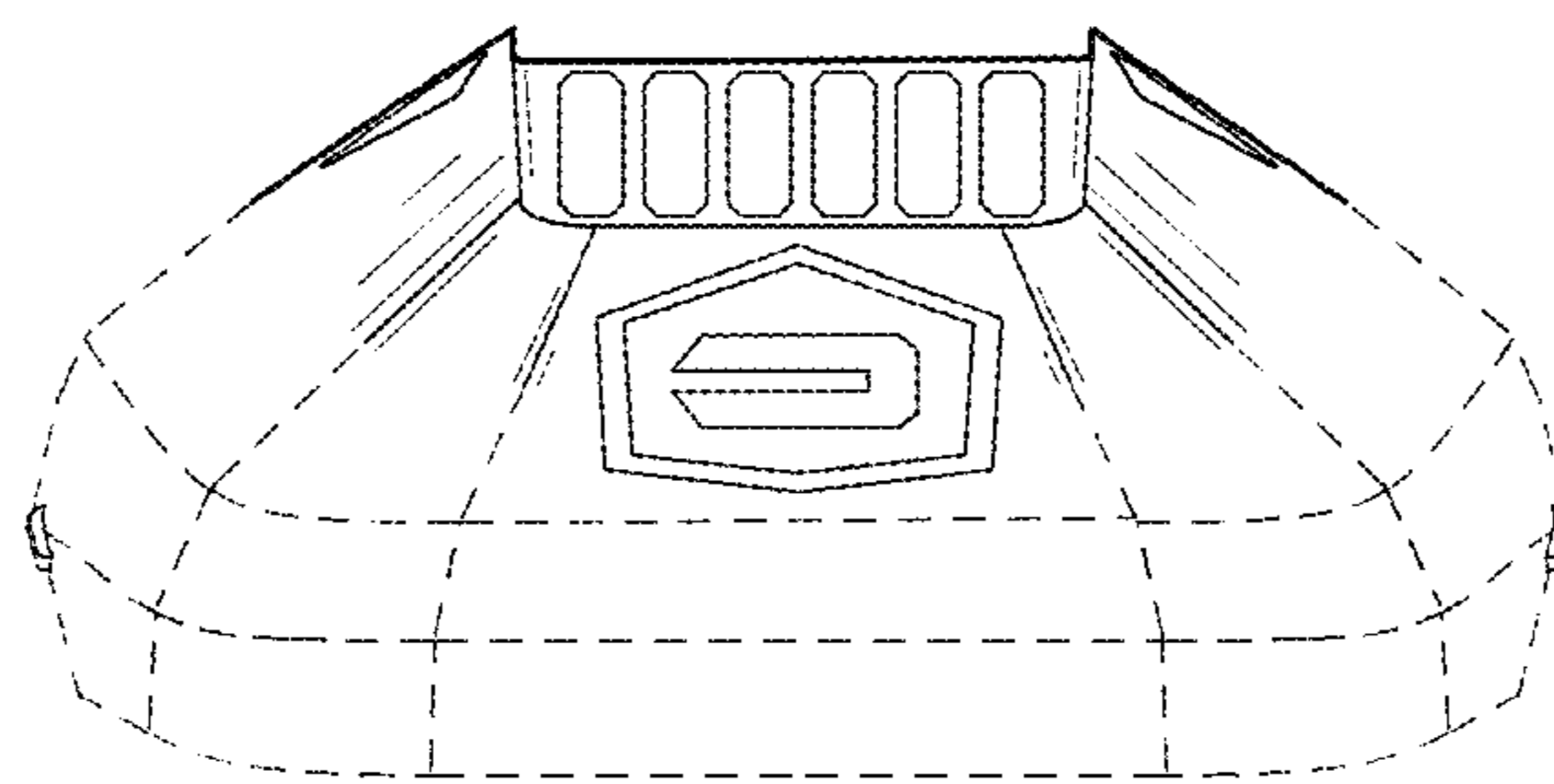


FIG. 7