



US00D750574S

(12) **United States Design Patent**
Deyaf

(10) **Patent No.:** **US D750,574 S**
(45) **Date of Patent:** **** Mar. 1, 2016**

(54) **SMALL EMERGENCY VEHICLE SWITCH BOX**
(71) Applicant: **SpeedTech Lights Inc.**, Buda, TX (US)
(72) Inventor: **Ahmed Deyaf**, Buda, TX (US)
(73) Assignee: **SpeedTech Lights Inc.**, Buda, TX (US)
(**) Term: **14 Years**
(21) Appl. No.: **29/495,954**
(22) Filed: **Jul. 8, 2014**
(51) **LOC (10) Cl.** **13-03**
(52) **U.S. Cl.**
USPC **D13/164**
(58) **Field of Classification Search**
USPC D13/162, 164, 184; D10/106.1, 106.95;
D12/174; D14/257, 258
CPC B60Q 1/0076; H05K 5/00; H05K 5/0017;
H01H 3/02; H01H 3/12; H01H 9/02; H01H
9/0214; H01H 9/0264
See application file for complete search history.

7,335,842 B2 * 2/2008 Guo H01H 9/0214
200/296
D574,799 S * 8/2008 Cronmiller D10/102
D647,062 S * 10/2011 Deyaf D13/162
D689,785 S * 9/2013 Miller D10/106.1
8,633,813 B2 * 1/2014 Shank B60Q 1/0076
340/458
D703,155 S * 4/2014 Burstein D13/164
8,786,423 B2 * 7/2014 Miller B60Q 1/2611
340/472
D734,276 S * 7/2015 Wiesbaum D13/164
2010/0125393 A1 * 5/2010 Jarvinen G06F 3/0202
701/48
2010/0230549 A1 * 9/2010 Probasco H05K 5/0204
248/27.1
2013/0306450 A1 * 11/2013 Wolfe H01H 9/0264
200/304
2015/0319870 A1 * 11/2015 Krueger H05K 5/069
312/223.1

* cited by examiner

Primary Examiner — Selina Sikder

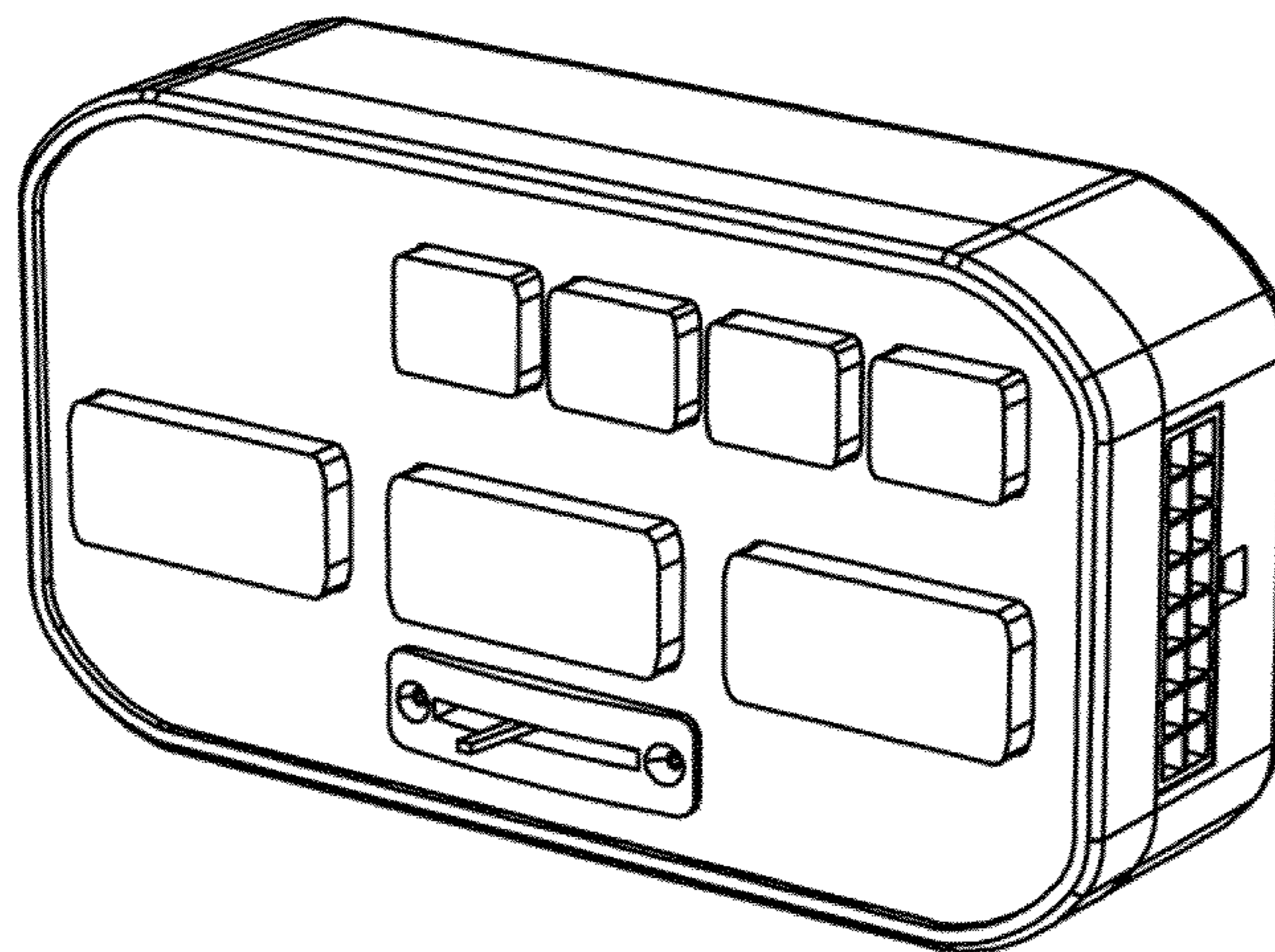
(57) **CLAIM**
The ornamental design for a small emergency vehicle switch box, as shown.

DESCRIPTION

FIG. 1 is a perspective view of a small emergency vehicle switch box showing my new design;
FIG. 2 is a front view thereof;
FIG. 3 is a back view thereof;
FIG. 4 is a top view thereof; and,
FIG. 5 is a left hand side view thereof.

1 Claim, 5 Drawing Sheets

(56) **References Cited**
U.S. PATENT DOCUMENTS
D272,433 S * 1/1984 Trabucchi D13/164
D334,542 S * 4/1993 Lowe D10/104.1
D381,633 S * 7/1997 Hiyakumoto D13/162
5,773,935 A * 6/1998 Wagner B60Q 1/076
307/10.8
D412,678 S * 8/1999 Smith D10/106.1
D503,644 S * 4/2005 Case D10/106.1



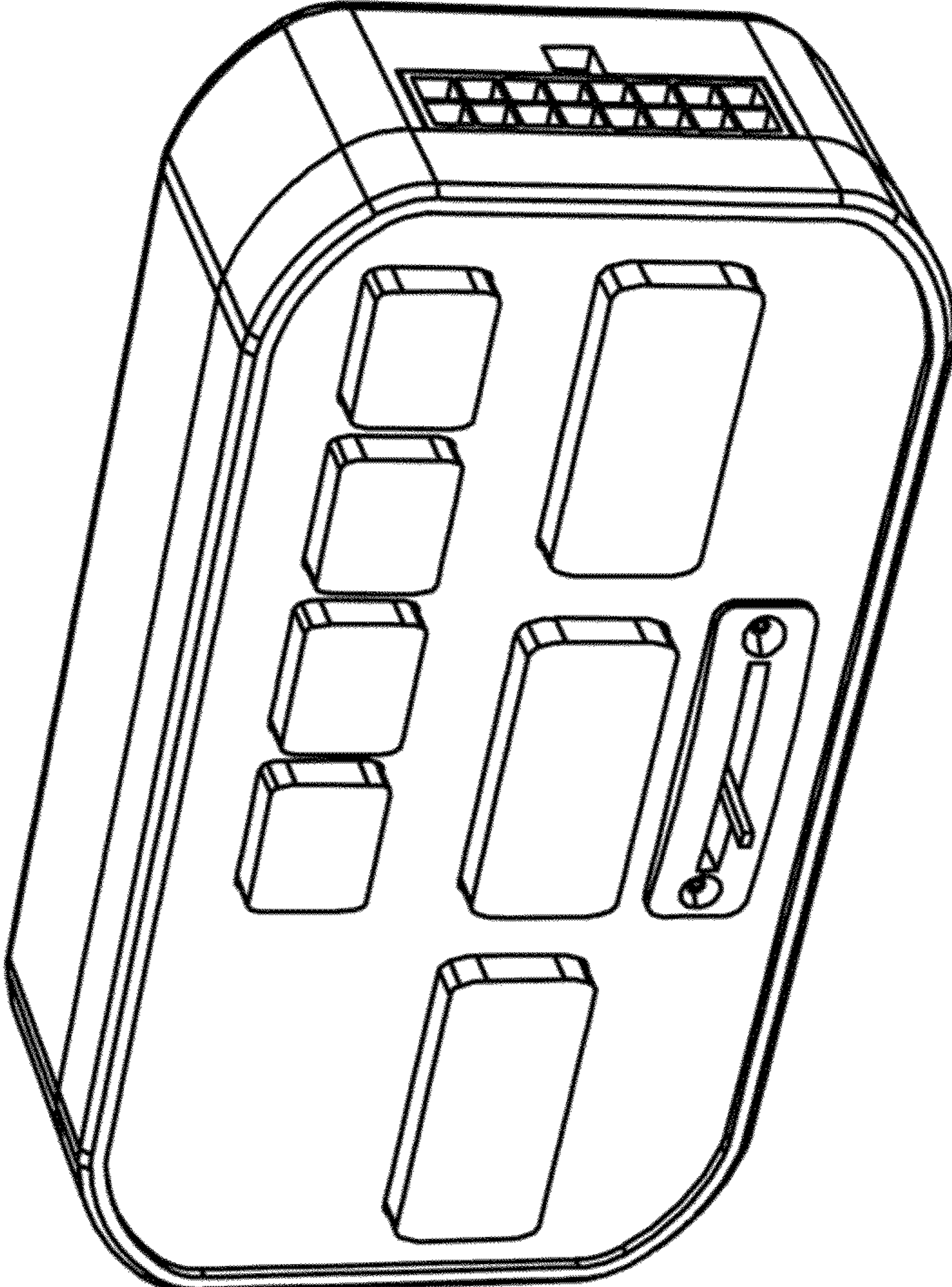


FIG. 1

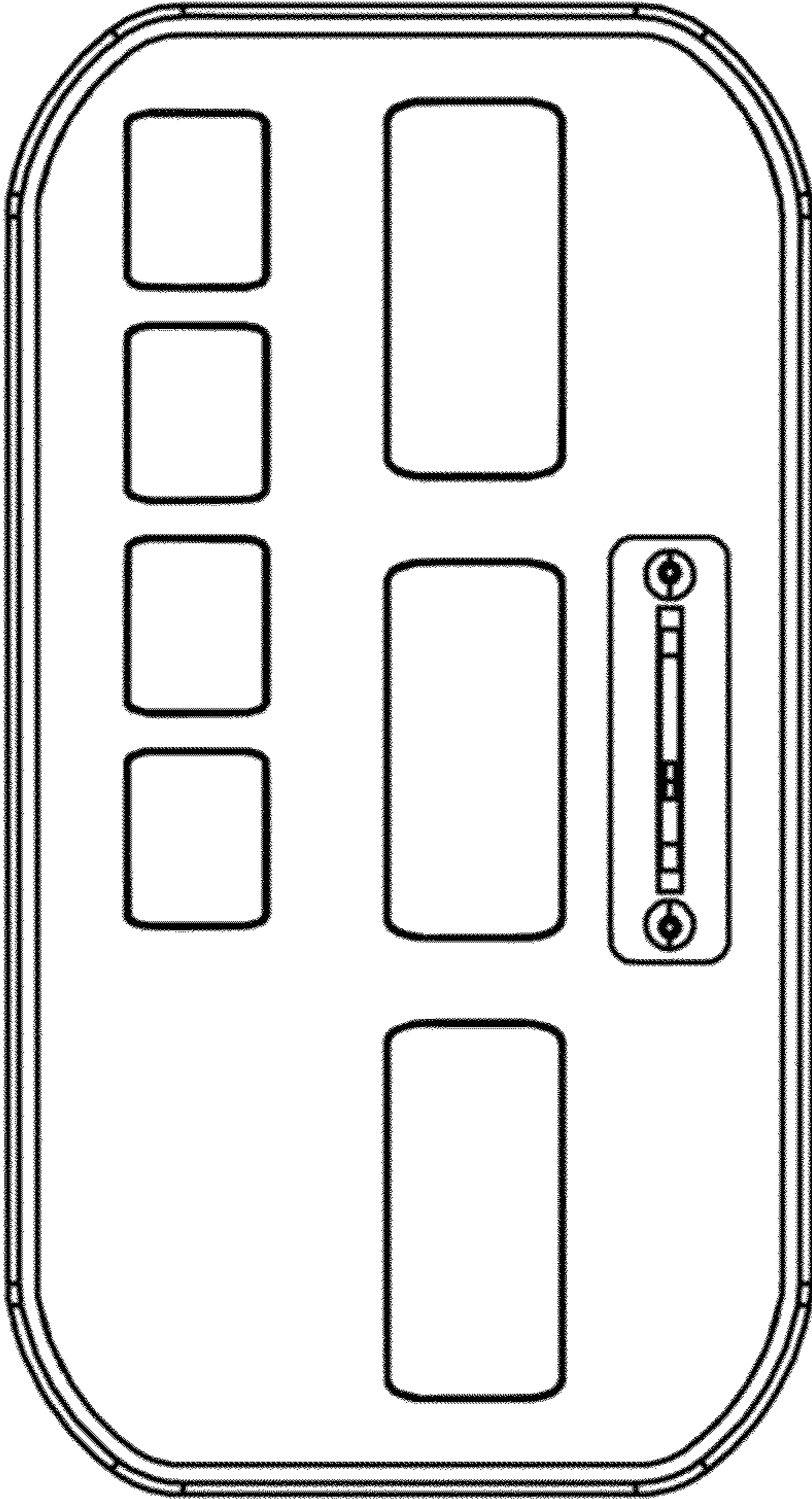


FIG. 2

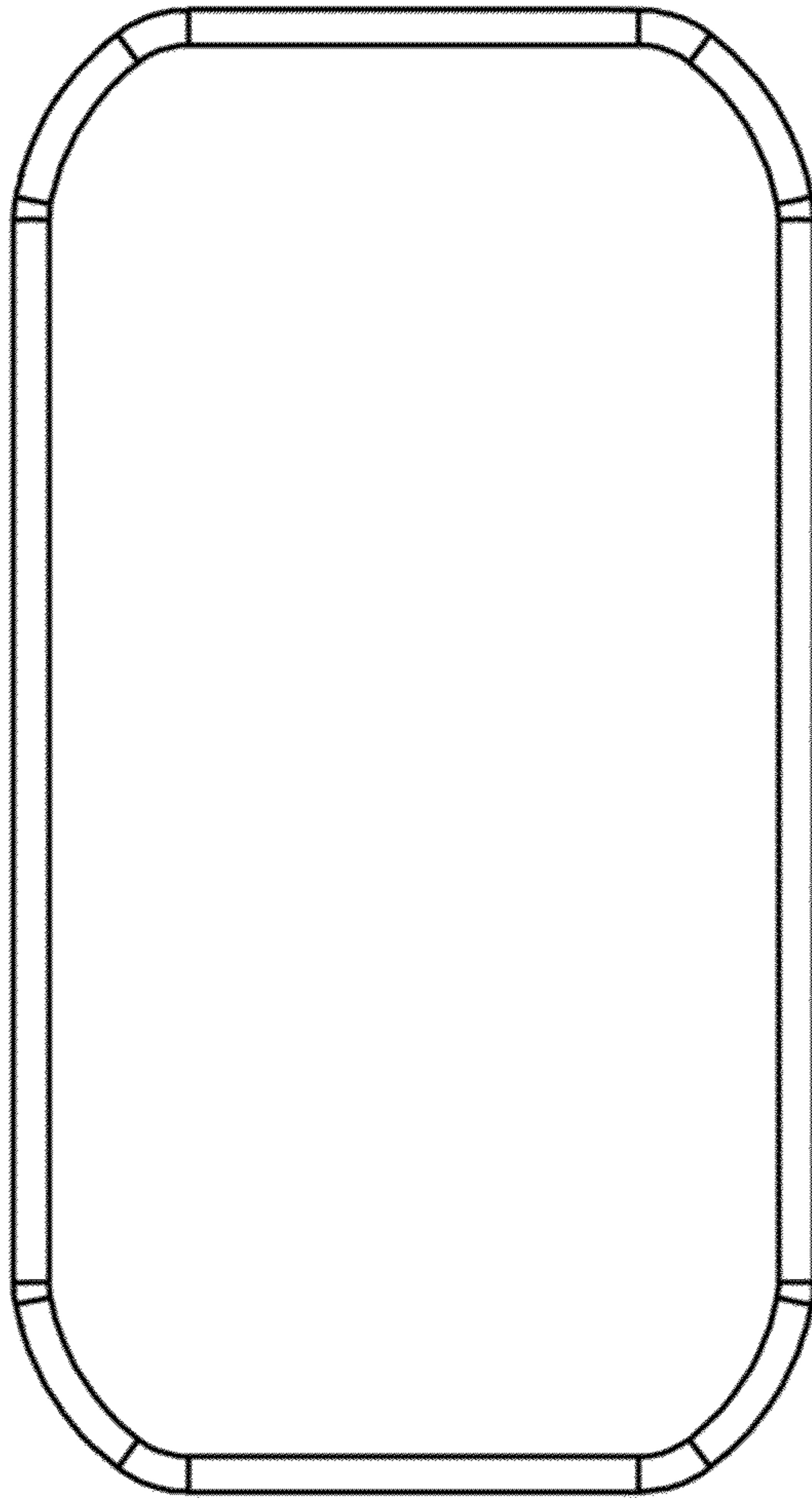


FIG. 3

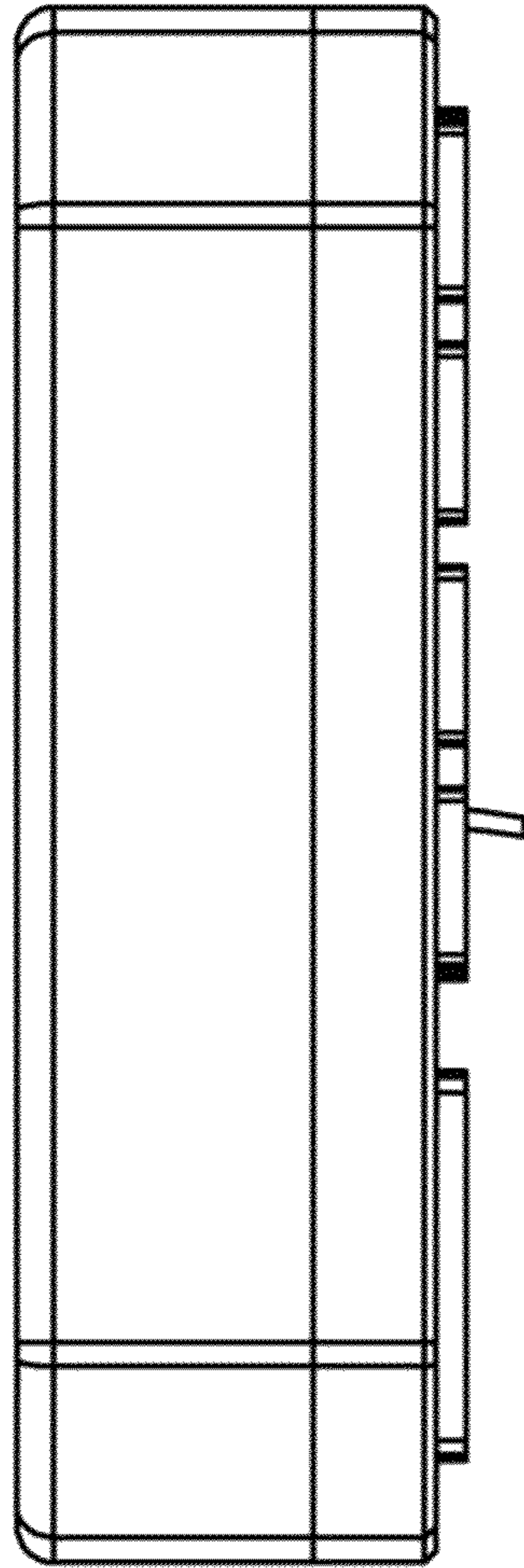


FIG. 4

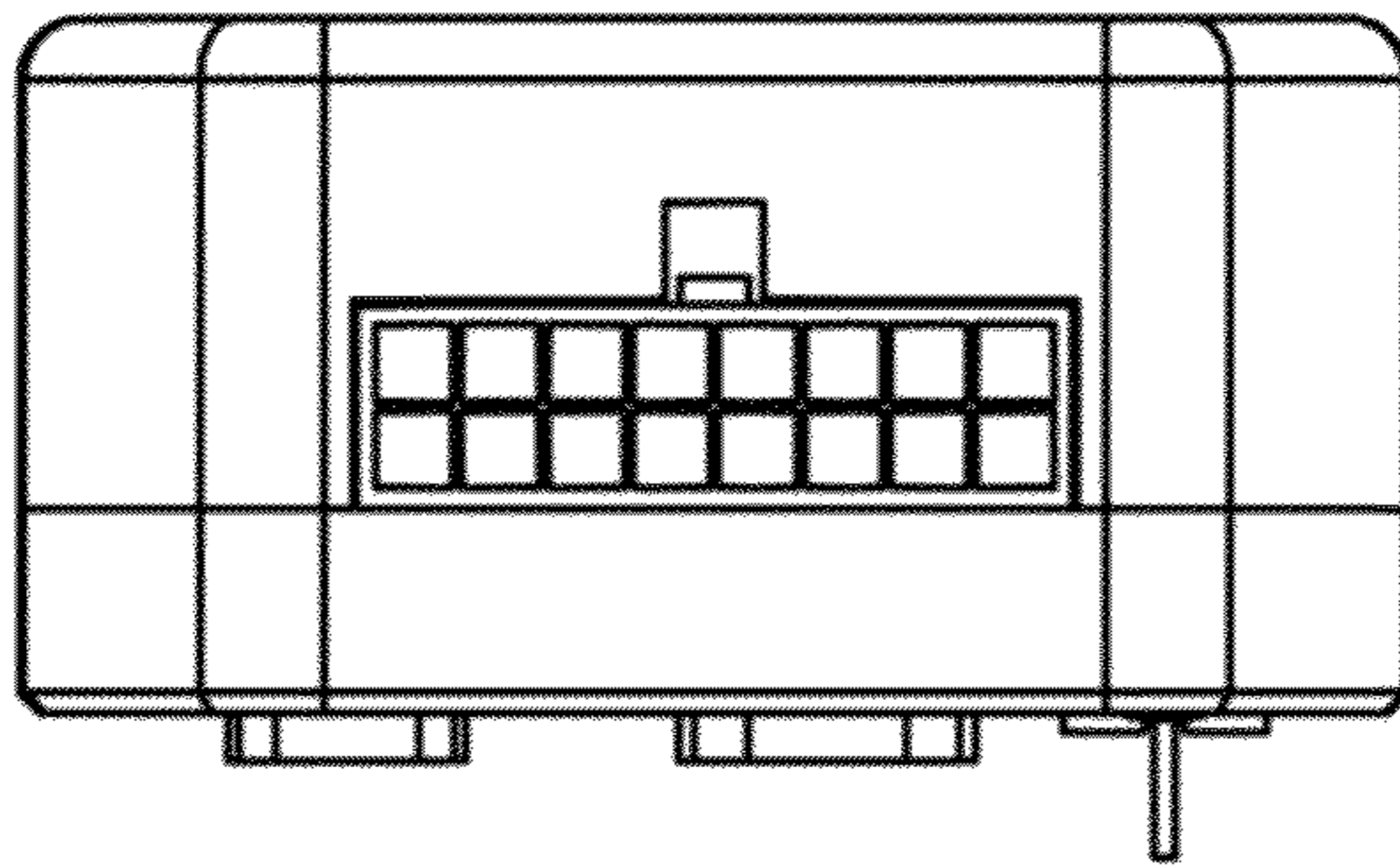


FIG. 5