

US00D750571S

(12) **United States Design Patent**
Auguste et al.

(10) **Patent No.:** **US D750,571 S**
(45) **Date of Patent:** **** Mar. 1, 2016**

- (54) **GASKET FOR AN ELECTRIC PLUG**
- (71) Applicants: **Donna M. Auguste**, Denver, CO (US);
David E. Hayes, Denver, CO (US)
- (72) Inventors: **Donna M. Auguste**, Denver, CO (US);
David E. Hayes, Denver, CO (US)
- (**) Term: **14 Years**
- (21) Appl. No.: **29/453,439**
- (22) Filed: **Apr. 29, 2013**
- (51) **LOC (10) Cl.** **13-03**
- (52) **U.S. Cl.**
USPC **D13/156**
- (58) **Field of Classification Search**
USPC D13/156, 133, 137.1, 137.2, 138.1,
D13/138.2, 154, 177, 184, 199; D8/352,
D8/353, 354; D9/439; 174/1, 66, 67;
439/89, 105, 109, 149, 152, 445, 625,
439/651, 721, 934, 956
CPC H01R 27/00; H01R 31/06
See application file for complete search history.

6,261,109	B1 *	7/2001	Liu	H01R 31/06	439/131
6,320,353	B1 *	11/2001	Chiu et al.	320/111	
6,544,051	B1 *	4/2003	Su	H01R 35/04	363/146
D573,532	S *	7/2008	Yang	D13/110	
D627,730	S *	11/2010	Huang et al.	D13/146	
8,226,424	B1 *	7/2012	Wang	H01R 13/2421	439/172
D666,156	S *	8/2012	Auguste et al.	D13/156	
D669,434	S *	10/2012	Kim et al.	D13/110	
D675,159	S *	1/2013	Smith et al.	D13/110	
D676,810	S *	2/2013	Smith et al.	D13/110	
D687,778	S *	8/2013	Utz	D13/133	
D708,586	S *	7/2014	Auguste et al.	D13/156	
2007/0091545	A1 *	4/2007	Wong	H01R 35/04	361/600

* cited by examiner

Primary Examiner — Derrick Holland
Assistant Examiner — Jennifer O King
(74) *Attorney, Agent, or Firm* — TIPS Group

(57) **CLAIM**

The ornamental design for a gasket for an electric plug, as shown and described.

DESCRIPTION

FIG. 1 is a perspective view of a gasket for an electric plug; FIG. 2 is a front elevational view thereof, the rear elevational view being a mirror image; FIG. 3 is a left side elevational view thereof, the right side elevational view being a mirror image; and, FIG. 4 is a top plan view thereof, a bottom plan view being a mirror image. The broken lines shown represent unclaimed subject matter and form no part of the claimed design.

1 Claim, 1 Drawing Sheet

(56) **References Cited**

U.S. PATENT DOCUMENTS

D287,123	S *	12/1986	Ross	D13/138.2
D299,126	S *	12/1988	Johnson	D13/133
D362,228	S *	9/1995	Hedrick	D13/138.1
D370,203	S *	5/1996	Hedrick	D13/138.1
D372,458	S *	8/1996	Hedrick	D13/138.1
D374,657	S *	10/1996	Beranek	D13/138.1
D376,348	S *	12/1996	Hedrick	D13/138.1
D378,586	S *	3/1997	Hedrick	D13/138.1
D383,117	S *	9/1997	Phillips	D13/138.1
6,247,941	B1 *	6/2001	Lee et al.	439/105

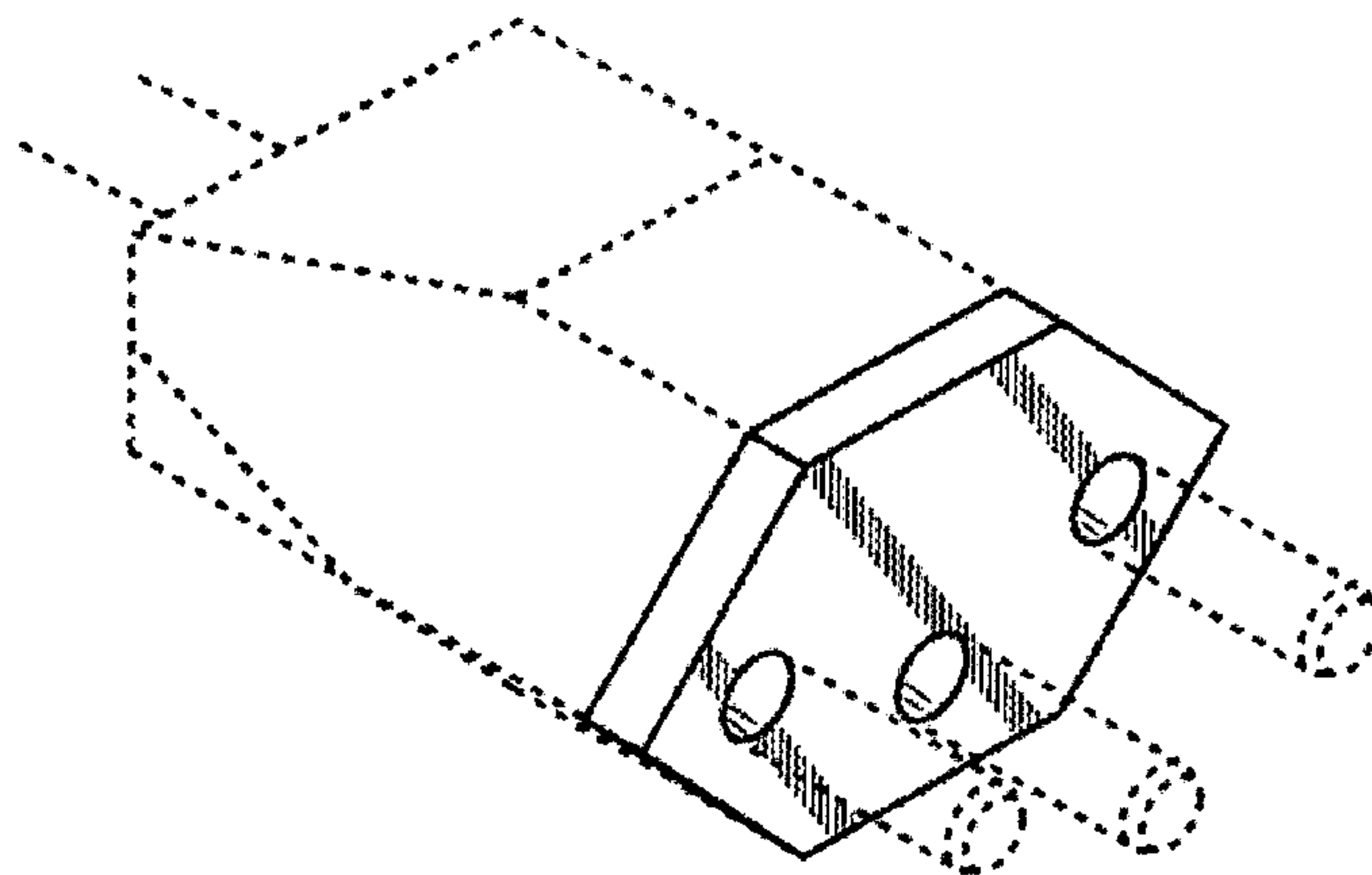


Fig. 1

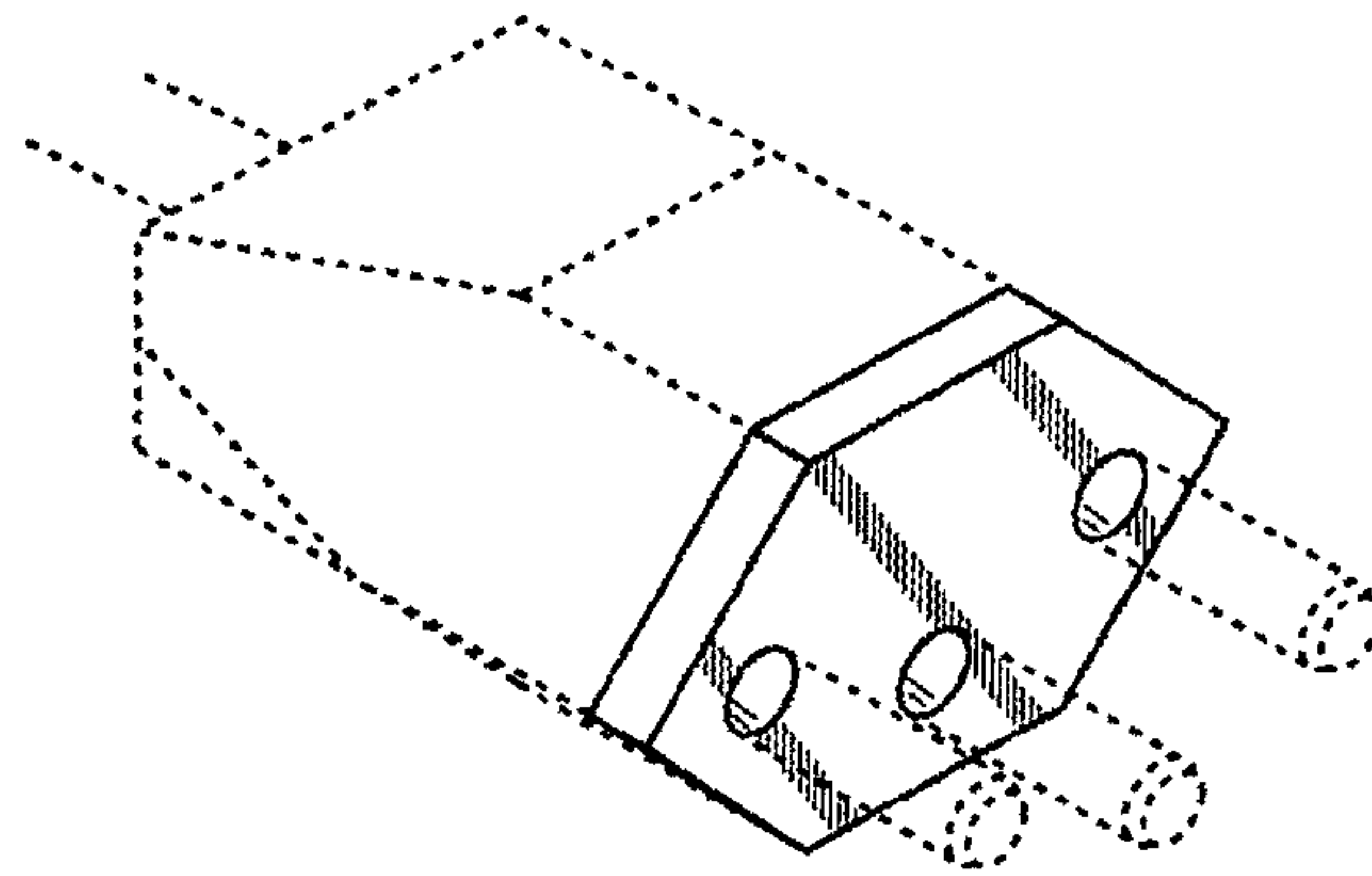


Fig. 2

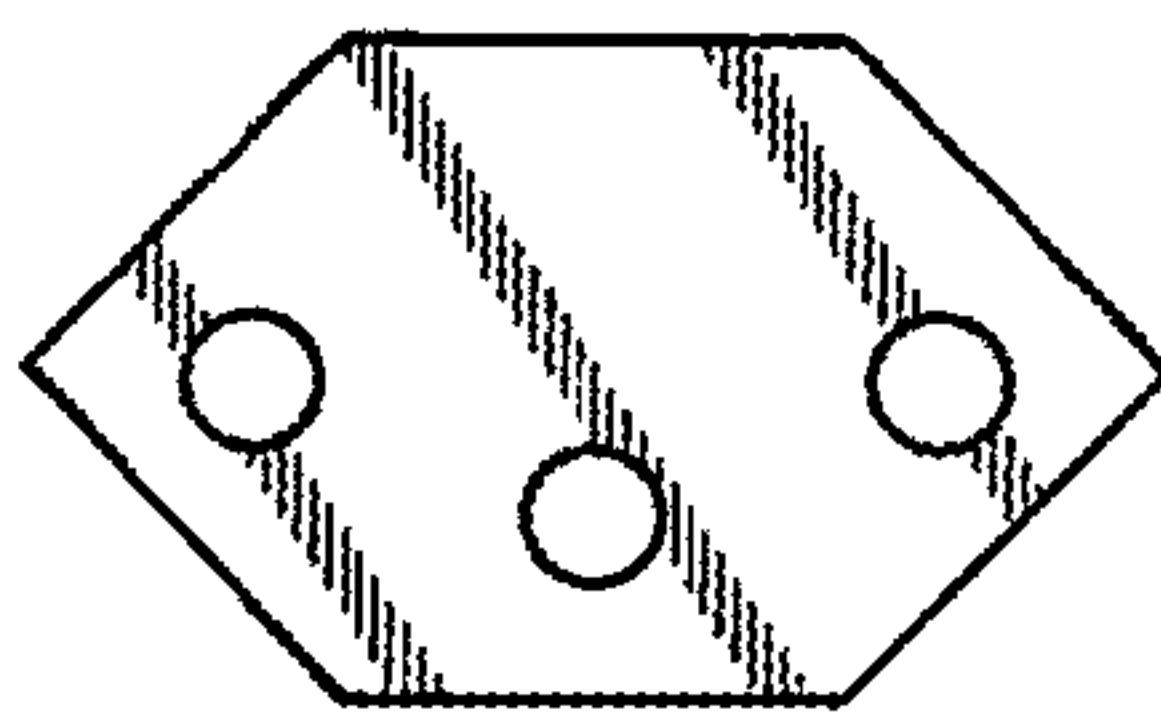


Fig. 3



Fig. 4

