



US00D750569S

(12) **United States Design Patent**
Tal

(10) **Patent No.:** **US D750,569 S**
(45) **Date of Patent:** **** Mar. 1, 2016**

(54) **QUAD SMALL FORM-FACTOR PLUGGABLE
BACK SHELL DESIGN FOR AOC**

(71) Applicant: **MELLANOX TECHNOLOGIES,
LTD.**, Yokneam (IL)

(72) Inventor: **Miki Tal**, Zur Yitzhak (IL)

(73) Assignee: **Mellanox Technologies, Ltd.**, Yokneam
(IL)

(**) Term: **15 Years**

(21) Appl. No.: **29/531,312**

(22) Filed: **Jun. 25, 2015**

Related U.S. Application Data

(63) Continuation of application No. 29/481,151, filed on
Feb. 2, 2014, now Pat. No. Des. 744,957.

(51) **LOC (10) Cl.** **13-03**

(52) **U.S. Cl.**
USPC **D13/154**

(58) **Field of Classification Search**
USPC D13/147, 154, 184, 199
See application file for complete search history.

(56) **References Cited**

U.S. PATENT DOCUMENTS

D744,957 S * 12/2015 Tal D13/154

* cited by examiner

Primary Examiner — Daniel Bui

(74) *Attorney, Agent, or Firm* — Mark M Friedman

(57) **CLAIM**

The ornamental design for a quad small form-factor pluggable back shell design for AOC, as shown and described.

DESCRIPTION

FIG. 1 is a top perspective view of a quad small form-factor pluggable back shell design for AOC, showing my new design;

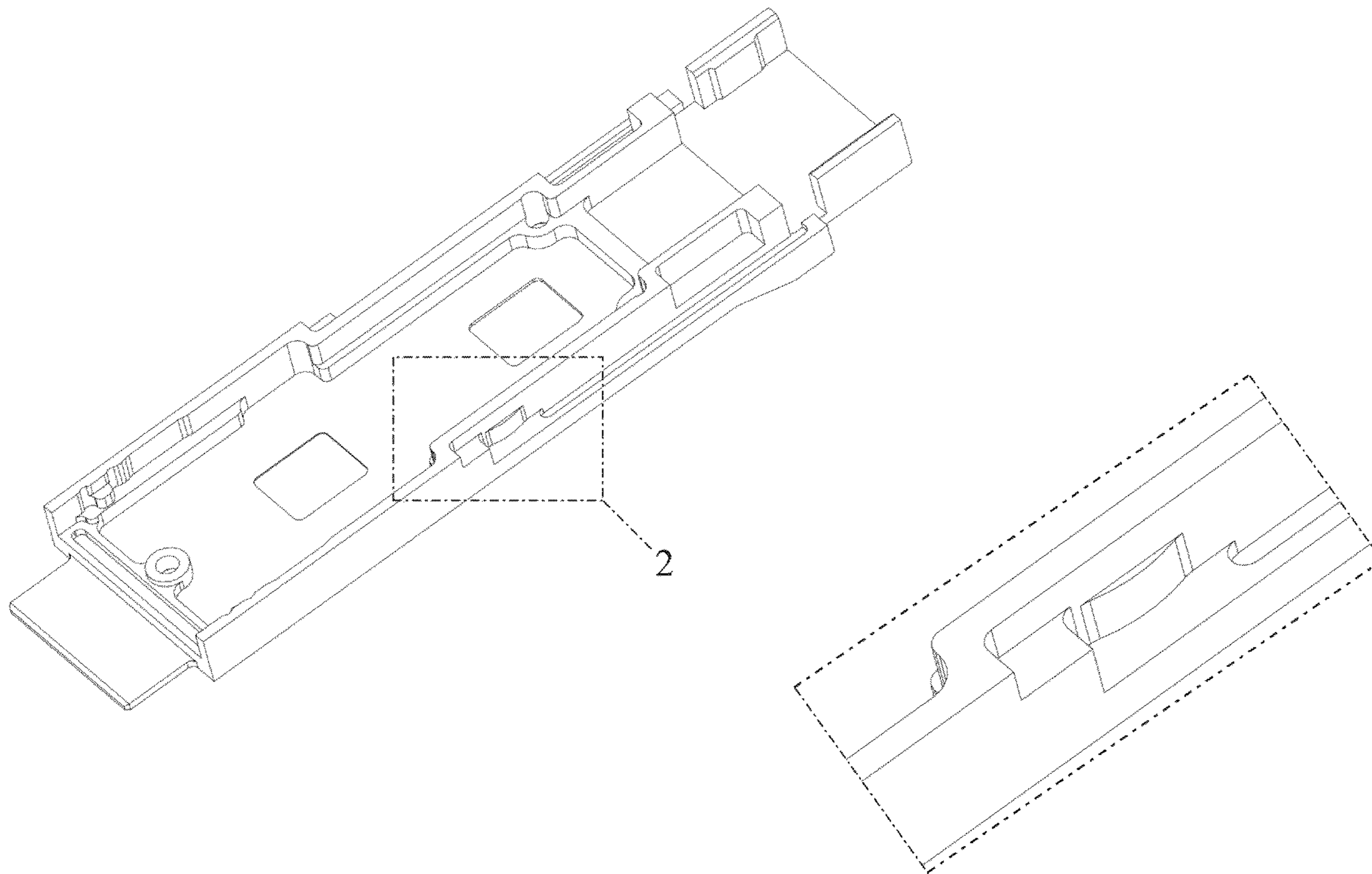
FIG. 2 is an enlarged view of area "2" of FIG. 1;

FIG. 3 is a side view thereof;

FIG. 4 is a top view of the back shell; and,

FIG. 5 is an enlarged view of area "5" of FIG. 1.

1 Claim, 3 Drawing Sheets



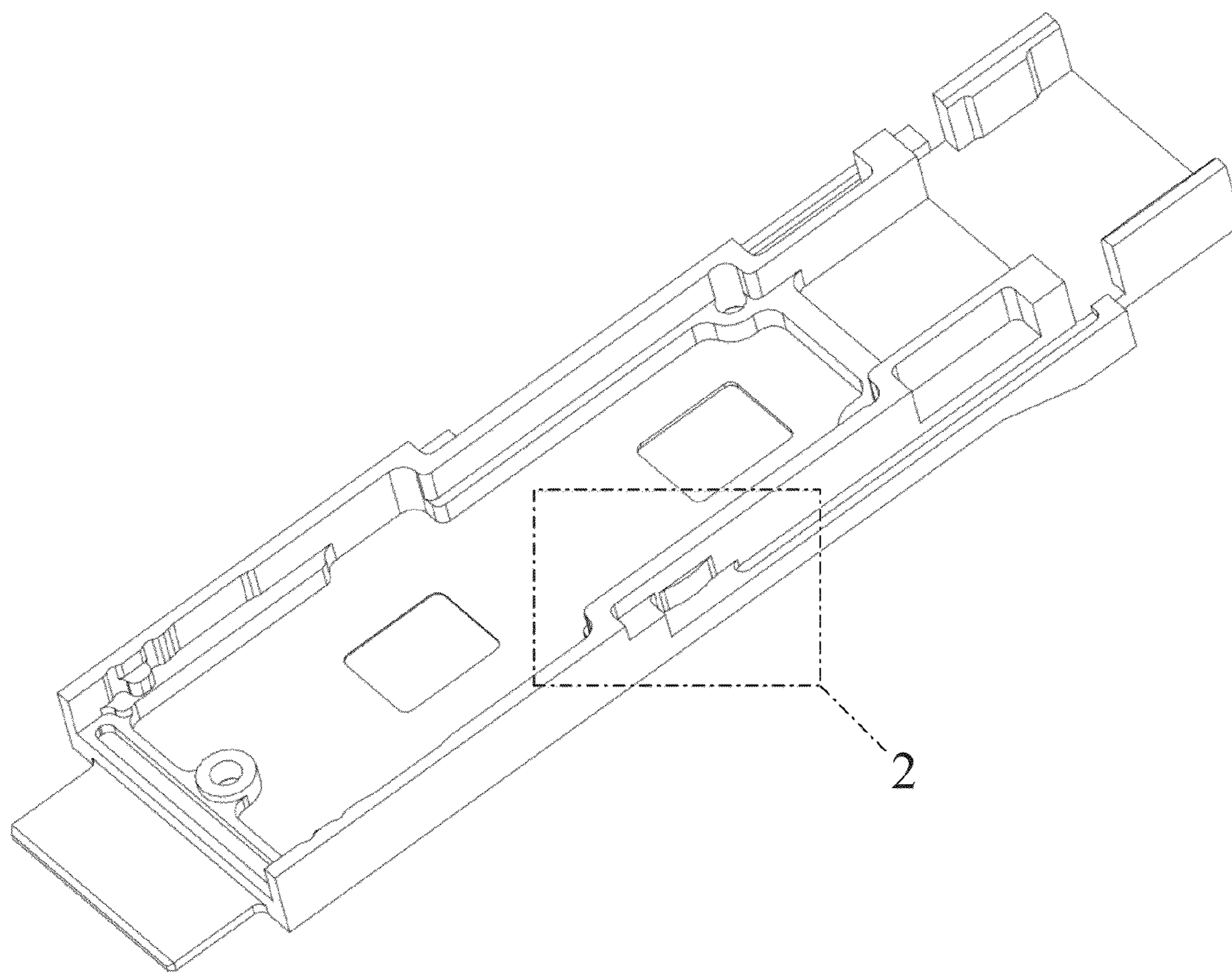


FIG. 1

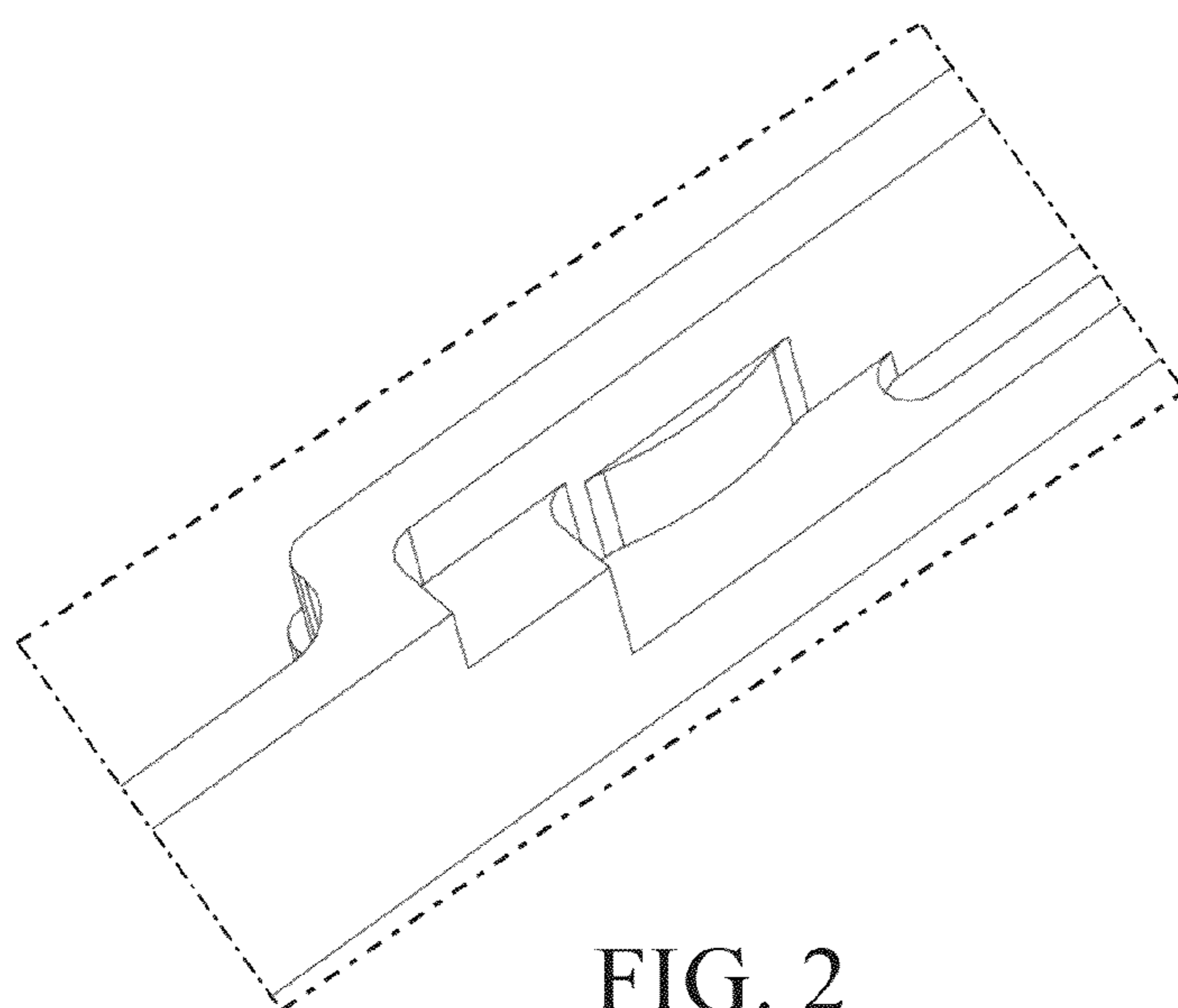


FIG. 2

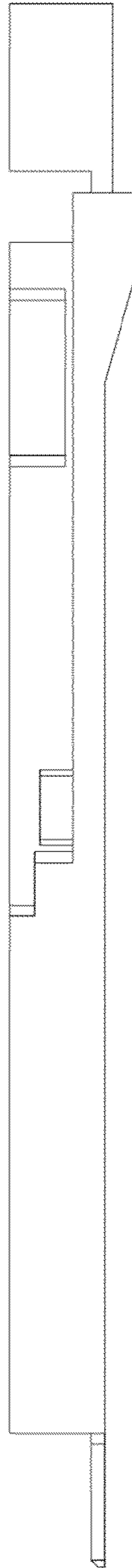


FIG. 3

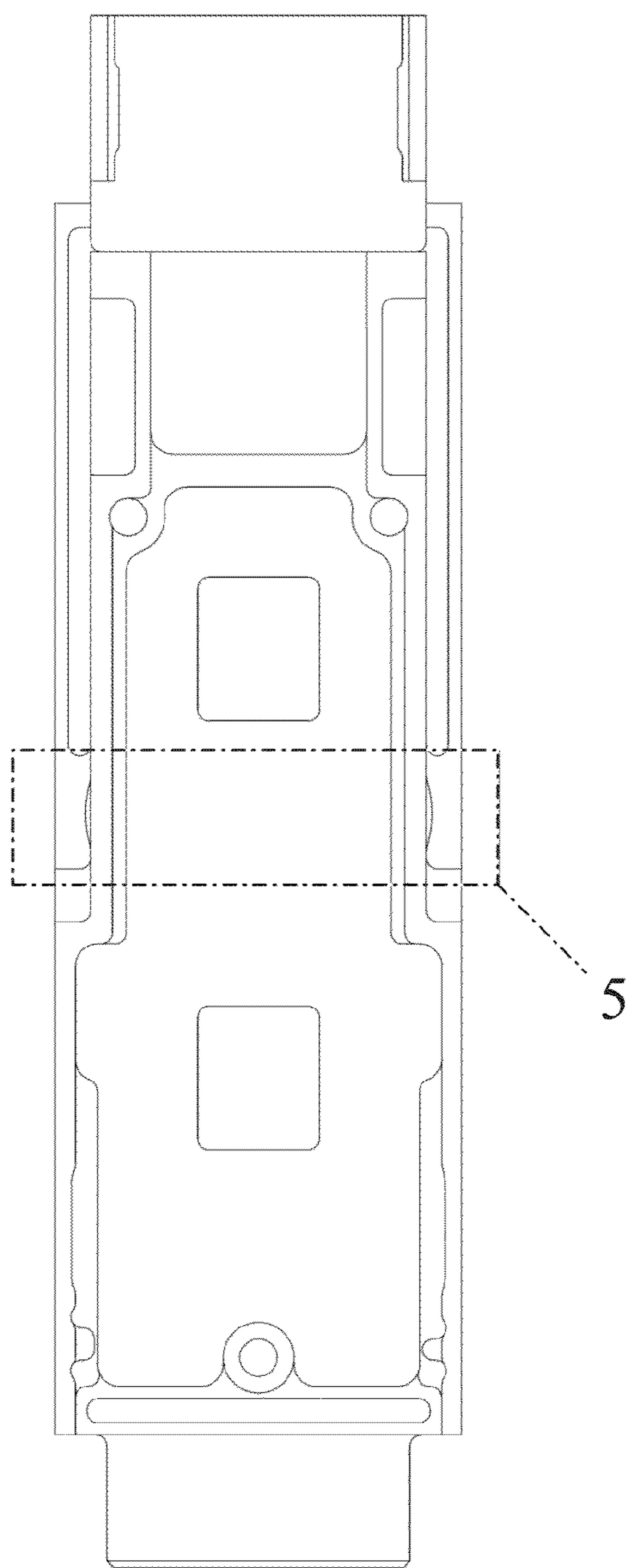


FIG. 4



FIG. 5