



US00D750568S

(12) **United States Design Patent**
Kwak et al.

(10) **Patent No.:** **US D750,568 S**
(45) **Date of Patent:** **** Mar. 1, 2016**

(54) **FIXTURE FOR WIRELESS ACCESS POINT**

(56) **References Cited**

(71) Applicant: **Samsung Electronics Co., Ltd.**,
Suwon-si, Gyeonggi-do (KR)
(72) Inventors: **Jihee Kwak**, Seoul (KR); **Jihyun Moon**,
Gwangmyeong-si (KR)

U.S. PATENT DOCUMENTS

D343,385 S * 1/1994 Sachs D13/154
D383,380 S * 9/1997 Kempf D13/154
D446,501 S * 8/2001 Donnell D13/123

* cited by examiner

(73) Assignee: **SAMSUNG ELECTRONICS CO., LTD.** (KR)

Primary Examiner — Daniel Bui
(74) *Attorney, Agent, or Firm* — Cantor Colburn LLP

(**) Term: **14 Years**

(57) **CLAIM**
The ornamental design for a fixture for wireless access point,
as shown and described.

(21) Appl. No.: **29/502,686**

DESCRIPTION

(22) Filed: **Sep. 18, 2014**

FIG. 1 is a perspective view of a fixture for wireless access point showing our new design;
FIG. 2 is a front view thereof;
FIG. 3 is a rear view thereof;
FIG. 4 is a side view thereof;
FIG. 5 is another side view thereof;
FIG. 6 is a top view thereof; and,
FIG. 7 is a bottom view thereof.

(30) **Foreign Application Priority Data**

Jul. 16, 2014 (KR) 30-2014-0034863

(51) **LOC (10) Cl.** **13-03**

(52) **U.S. Cl.**
USPC **D13/154**

(58) **Field of Classification Search**
USPC D13/133, 146, 147, 154, 184, 199
See application file for complete search history.

The broken line in the figure drawings is included to show unclaimed environment only and forms no part of the claimed design.

1 Claim, 7 Drawing Sheets

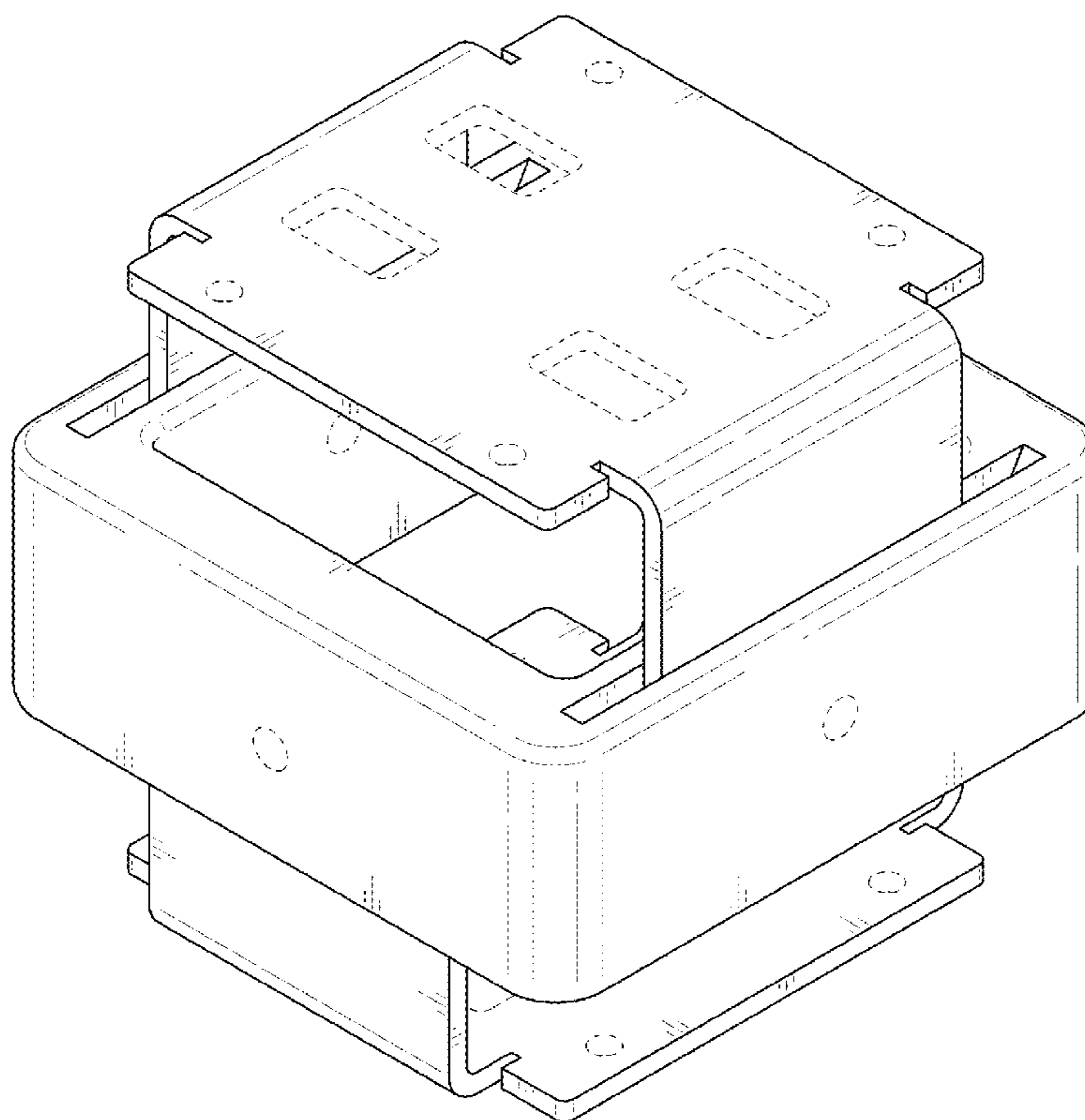


FIG. 1

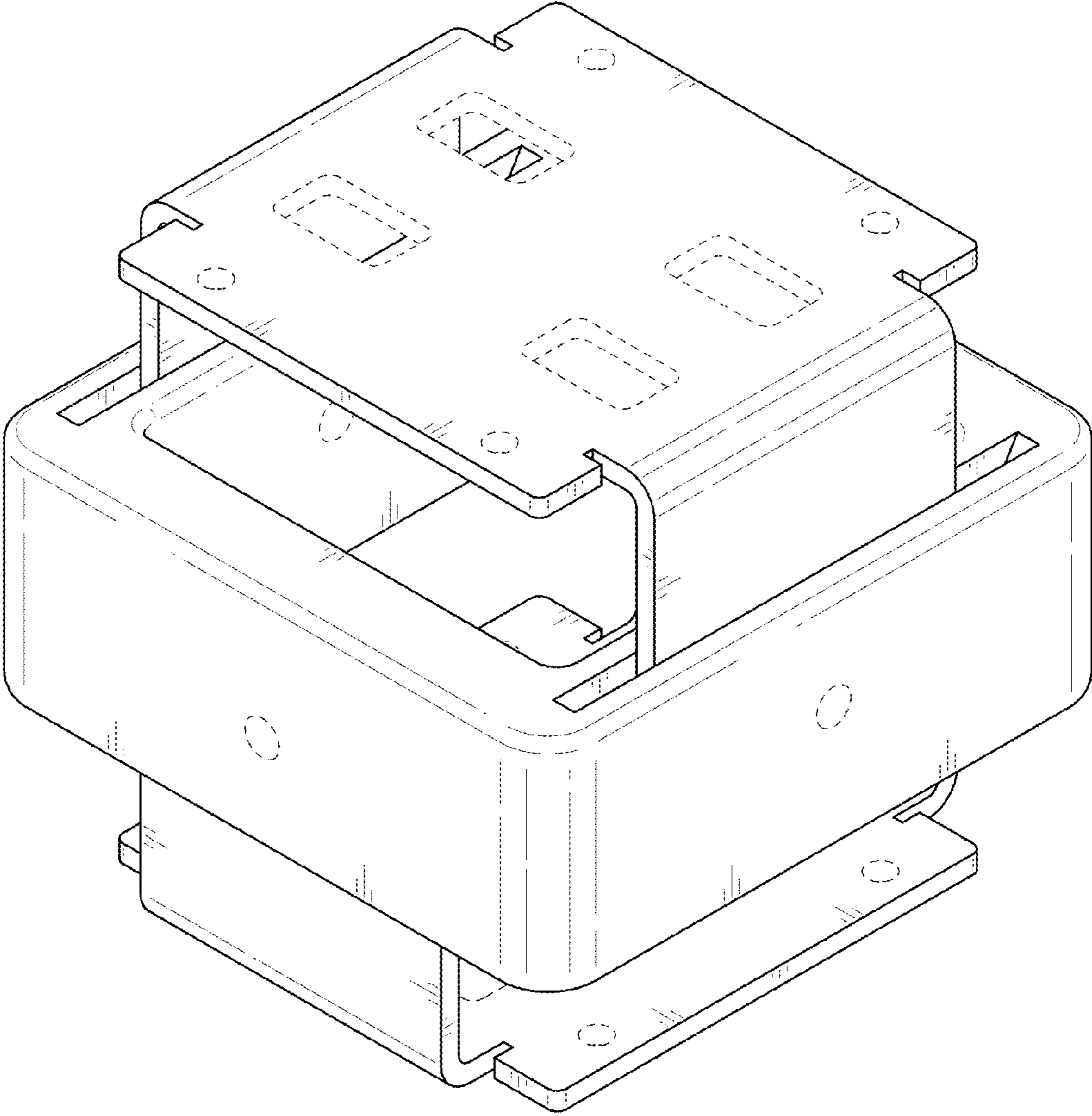


FIG. 2

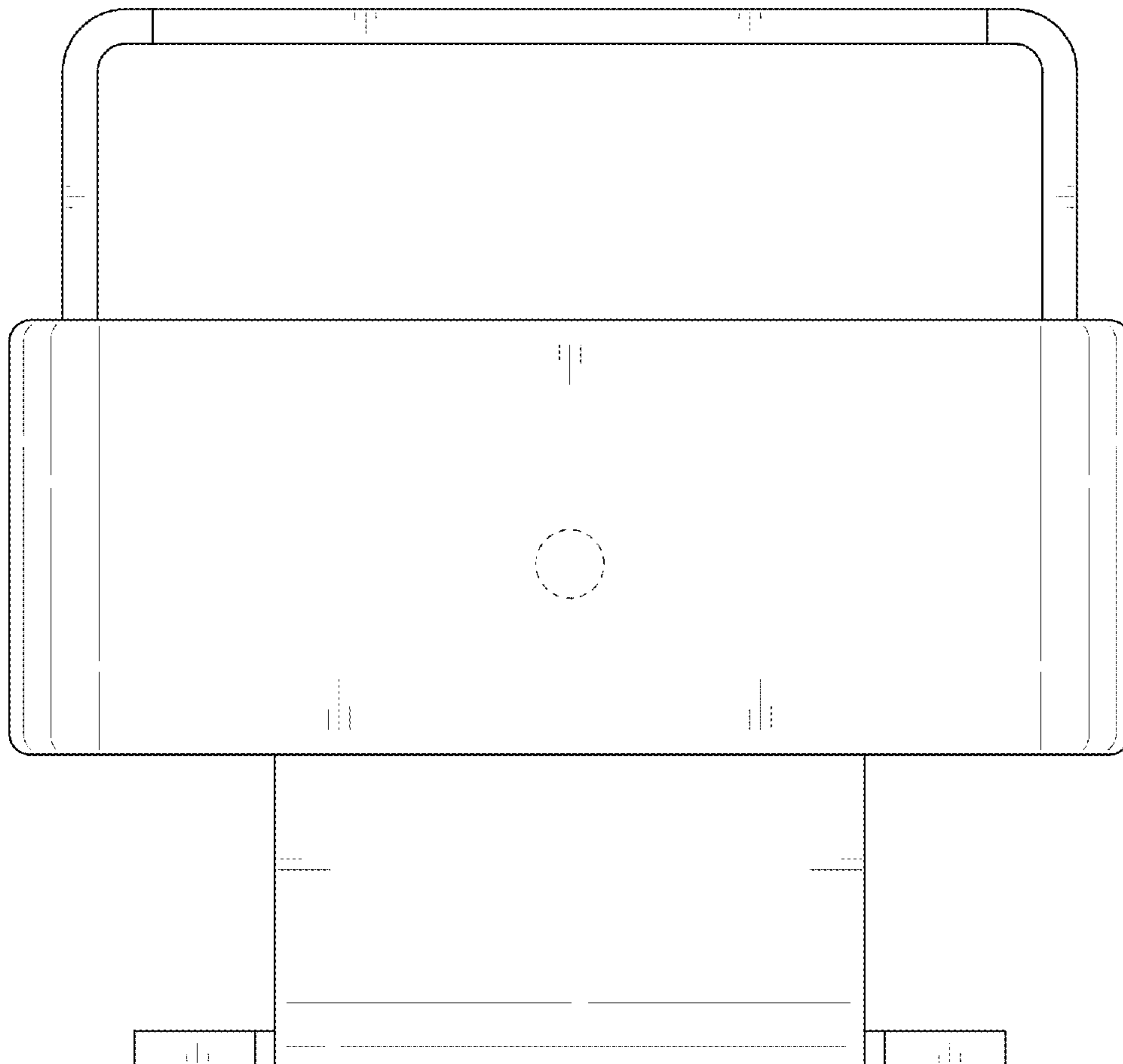


FIG. 3

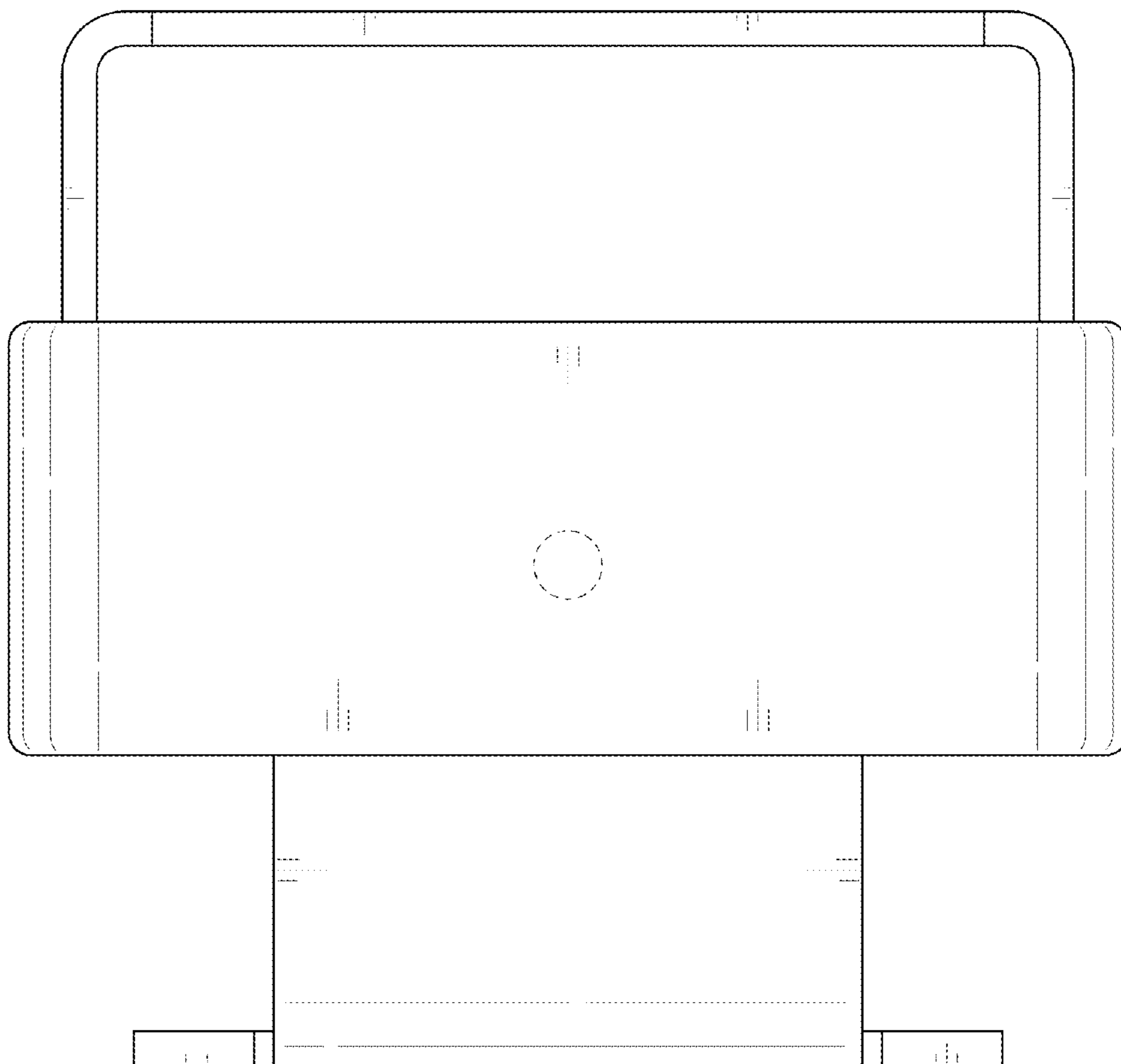


FIG. 4

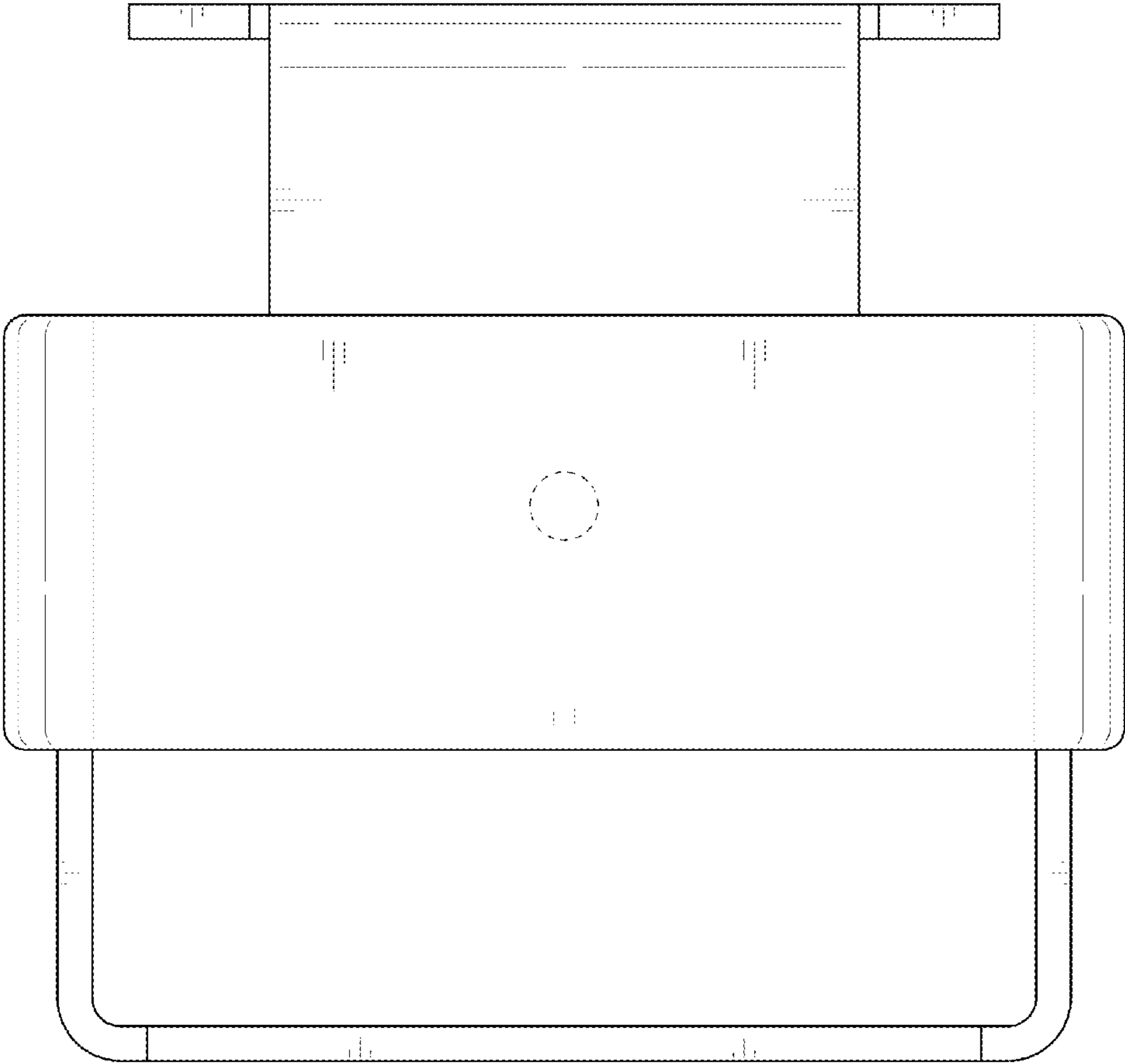


FIG. 5

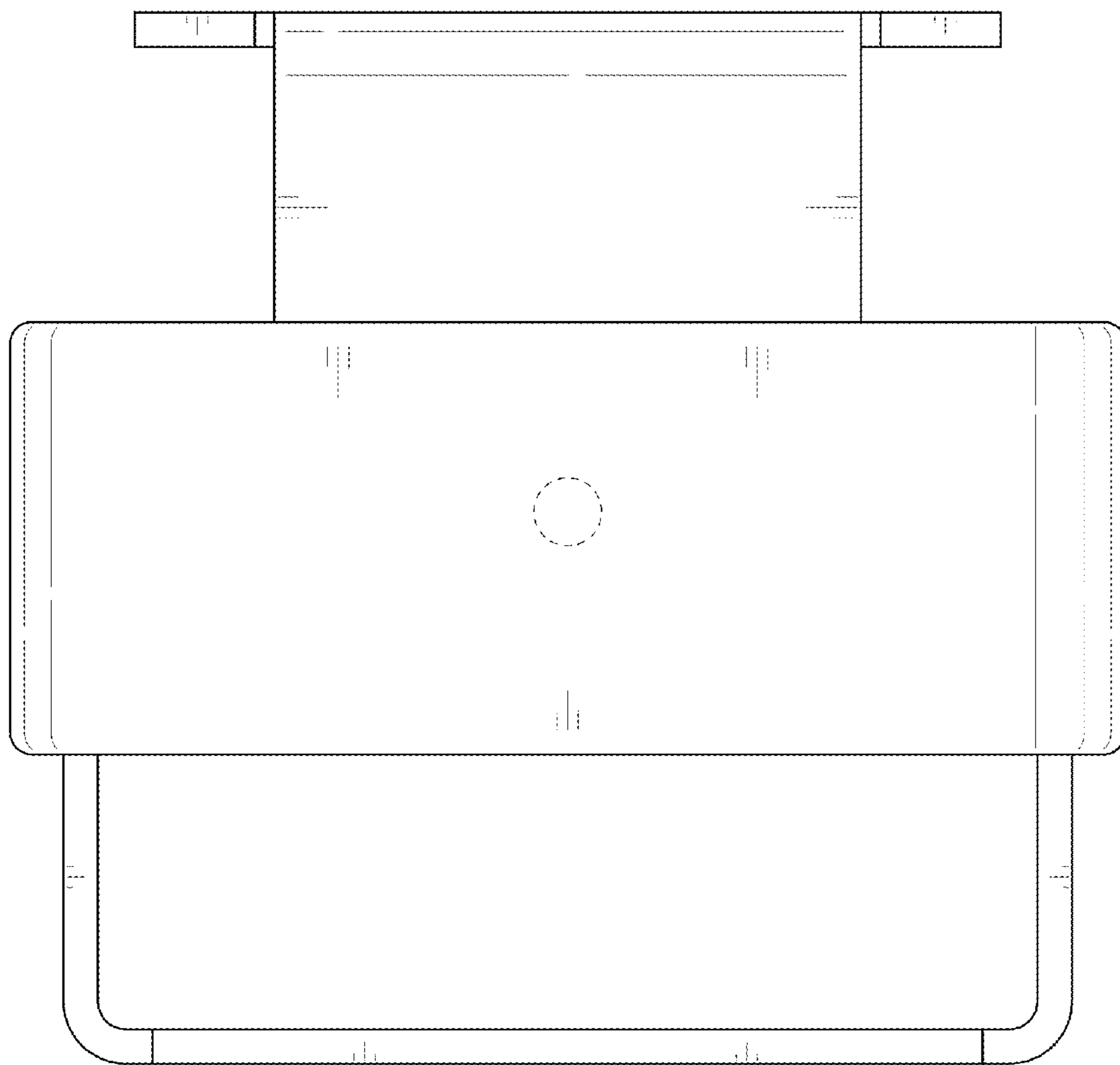


FIG. 6

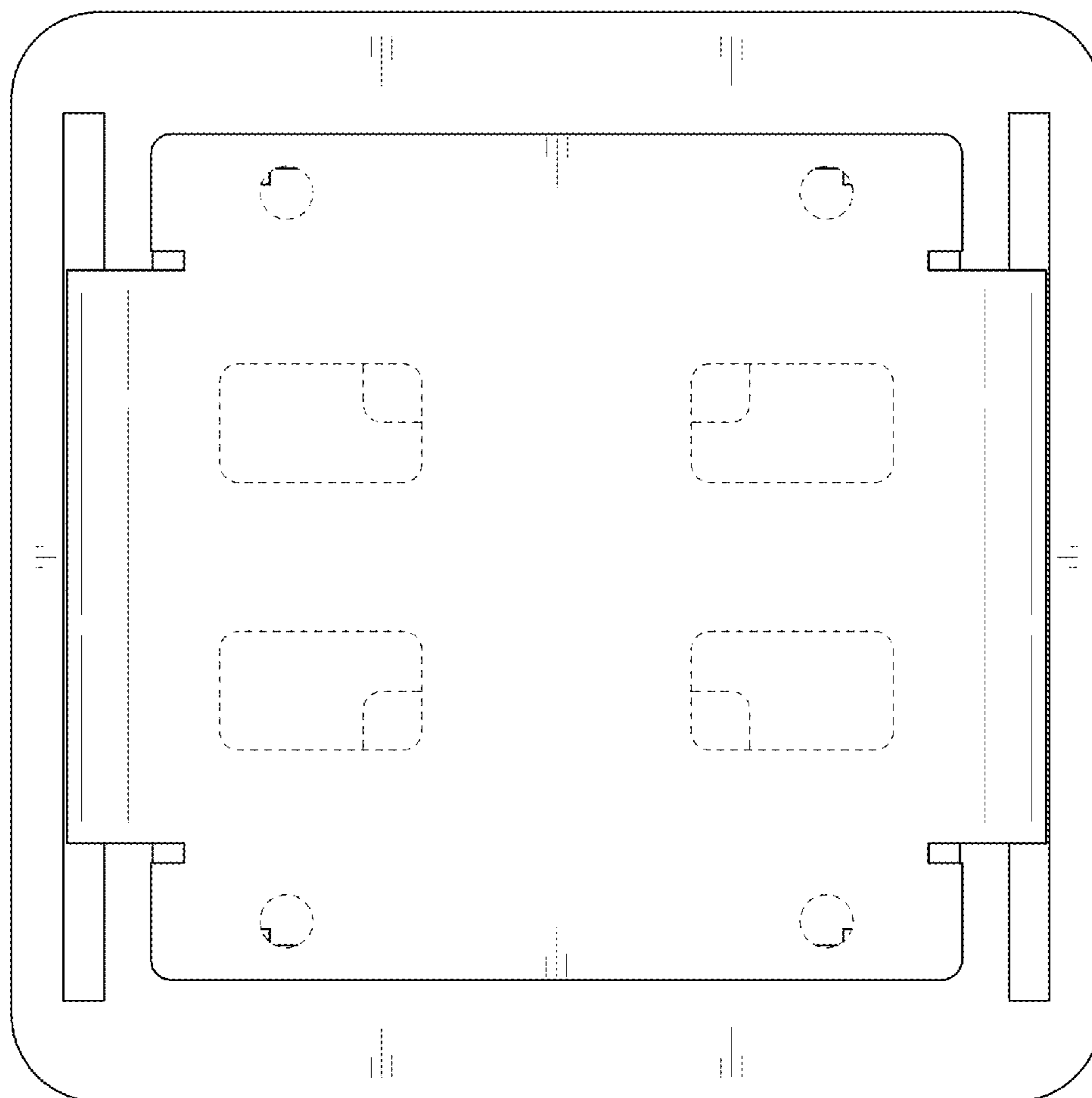


FIG. 7

