



US00D750565S

(12) **United States Design Patent**  
**Venida et al.**

(10) **Patent No.:** **US D750,565 S**  
(45) **Date of Patent:** **\*\* Mar. 1, 2016**

(54) **CHARGER**  
(71) Applicant: **ACCO Brands Corporation**, Lake Zurich, IL (US)  
(72) Inventors: **A. John Venida**, San Francisco, CA (US); **Peter A. Sgromo**, San Francisco, CA (US); **Barry Marshall**, Santa Clara, CA (US)  
(73) Assignee: **ACCO Brands Corporation**, Lake Zurich, IL (US)

D573,946 S 7/2008 Ledbetter et al.  
D618,618 S \* 6/2010 Lee ..... D13/108  
D632,650 S 2/2011 Rashid et al.  
D638,355 S 5/2011 Chen  
D638,356 S 5/2011 Chen  
D653,619 S \* 2/2012 Tien ..... D13/144  
D656,465 S \* 3/2012 Au ..... D13/144  
D672,313 S \* 12/2012 Smith ..... D13/144  
D682,202 S 5/2013 Weaver, Jr. et al.  
D682,781 S 5/2013 Wakafuji et al.  
D721,328 S 1/2015 Freeman et al.  
2013/0307464 A1 11/2013 Zhu

(\*\*) Term: **14 Years**

WO 2012094518 7/2012

(21) Appl. No.: **29/471,377**

**OTHER PUBLICATIONS**

(22) Filed: **Oct. 31, 2013**

Co-pending Design U.S. Appl. No. 29/471,375, filed Oct. 31, 2013.

(51) **LOC (10) Cl.** ..... **13-03**

\* cited by examiner

(52) **U.S. Cl.**  
USPC ..... **D13/144**

(58) **Field of Classification Search**  
USPC ..... D13/144, 101, 107, 108, 110, 118, 119, D13/133, 184, 199; D14/155, 432, 433, D14/434, 435.1, 356, 480.1, 480.7; 320/107, 108, 109, 110, 111, 112, 113, 320/114, 115; 439/300, 620.01, 638, 668, 439/669, 675, 825; 363/146  
CPC ..... H04B 1/00; H04B 1/20; H04B 1/207; H05K 5/0278; H01R 24/00; H01R 24/04; H01R 33/00; G06K 19/07732  
See application file for complete search history.

*Primary Examiner* — Derrick Holland  
(74) *Attorney, Agent, or Firm* — Michael Best & Friedrich LLP

(57) **CLAIM**  
The ornamental design for a charger, as shown and described.

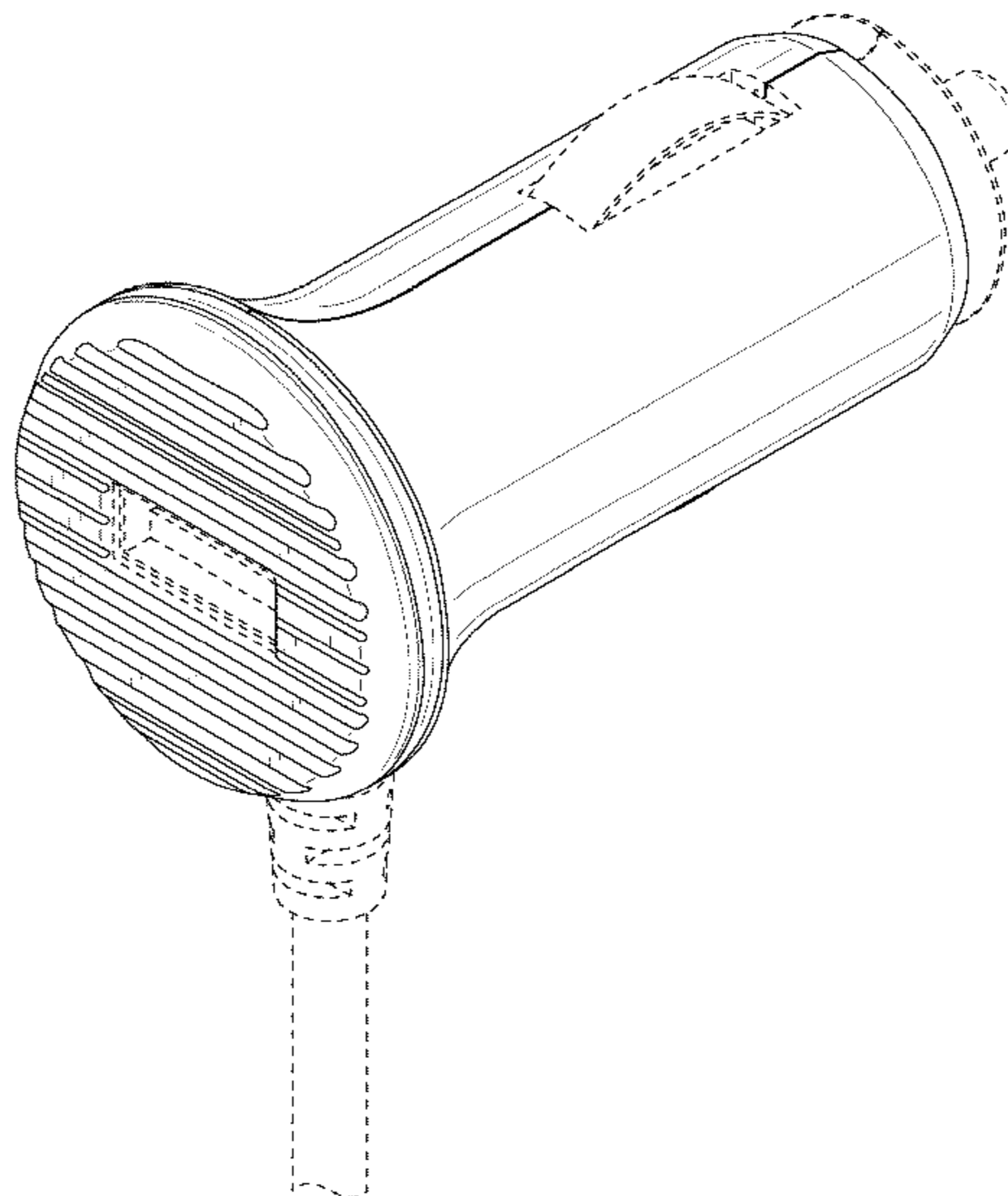
**DESCRIPTION**

FIG. 1 is a perspective view of a charger.  
FIG. 2 is a first end view of the charger of FIG. 1.  
FIG. 3 is a second end view of the charger of FIG. 1.  
FIG. 4 is a first side view of the charger of FIG. 1.  
FIG. 5 is a second side view of the charger of FIG. 1.  
FIG. 6 is a third side view of the charger of FIG. 1; and,  
FIG. 7 is a fourth side view of the charger of FIG. 1.  
The broken lines shown represent unclaimed subject matter and form no part of the claimed design.

(56) **References Cited**  
U.S. PATENT DOCUMENTS

D340,027 S 10/1993 Tortola  
D406,259 S 3/1999 Lindahl  
D474,739 S 5/2003 Chang  
D562,766 S 2/2008 Yang

**1 Claim, 7 Drawing Sheets**



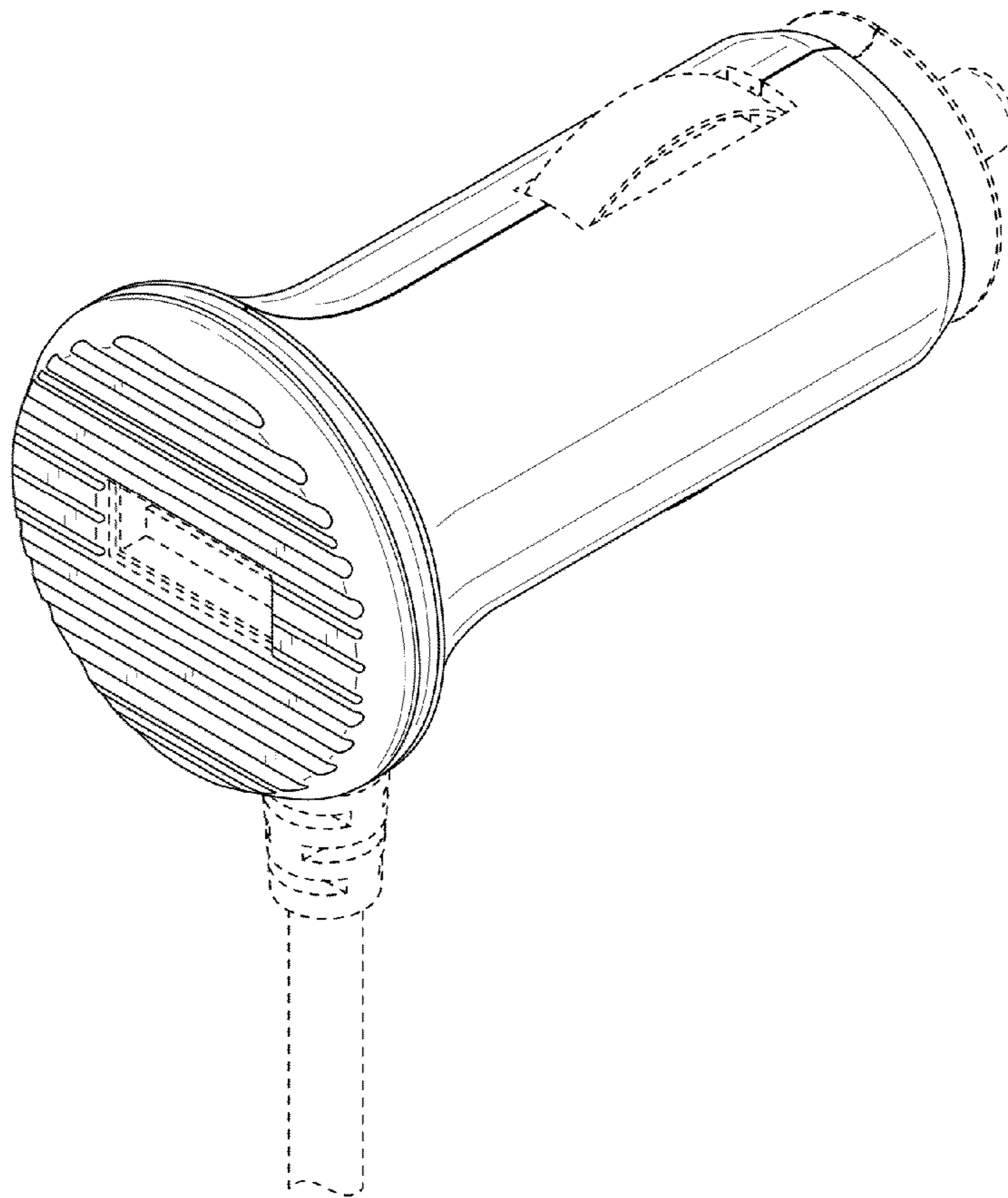


FIG. 1

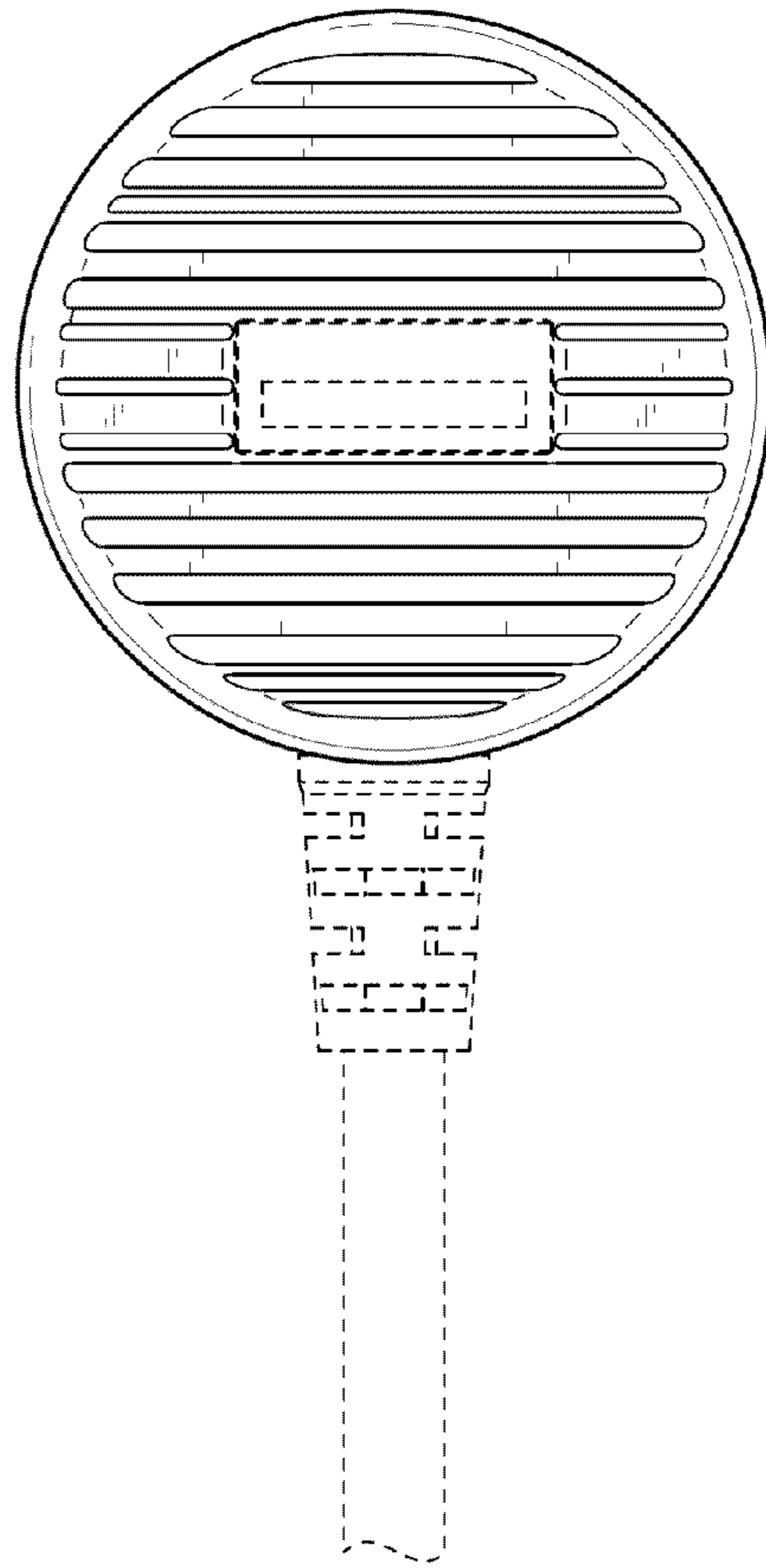


FIG. 2

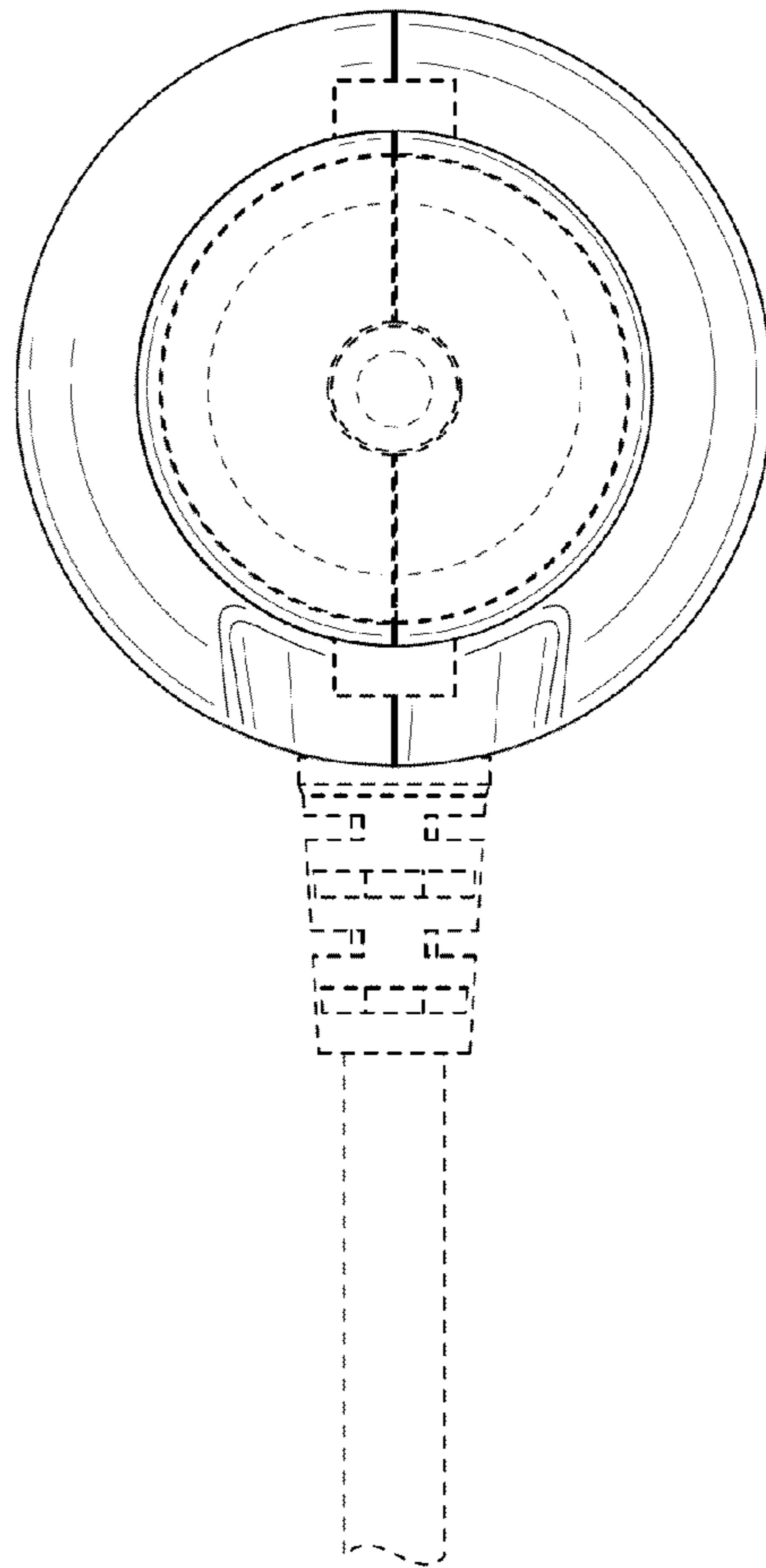


FIG. 3

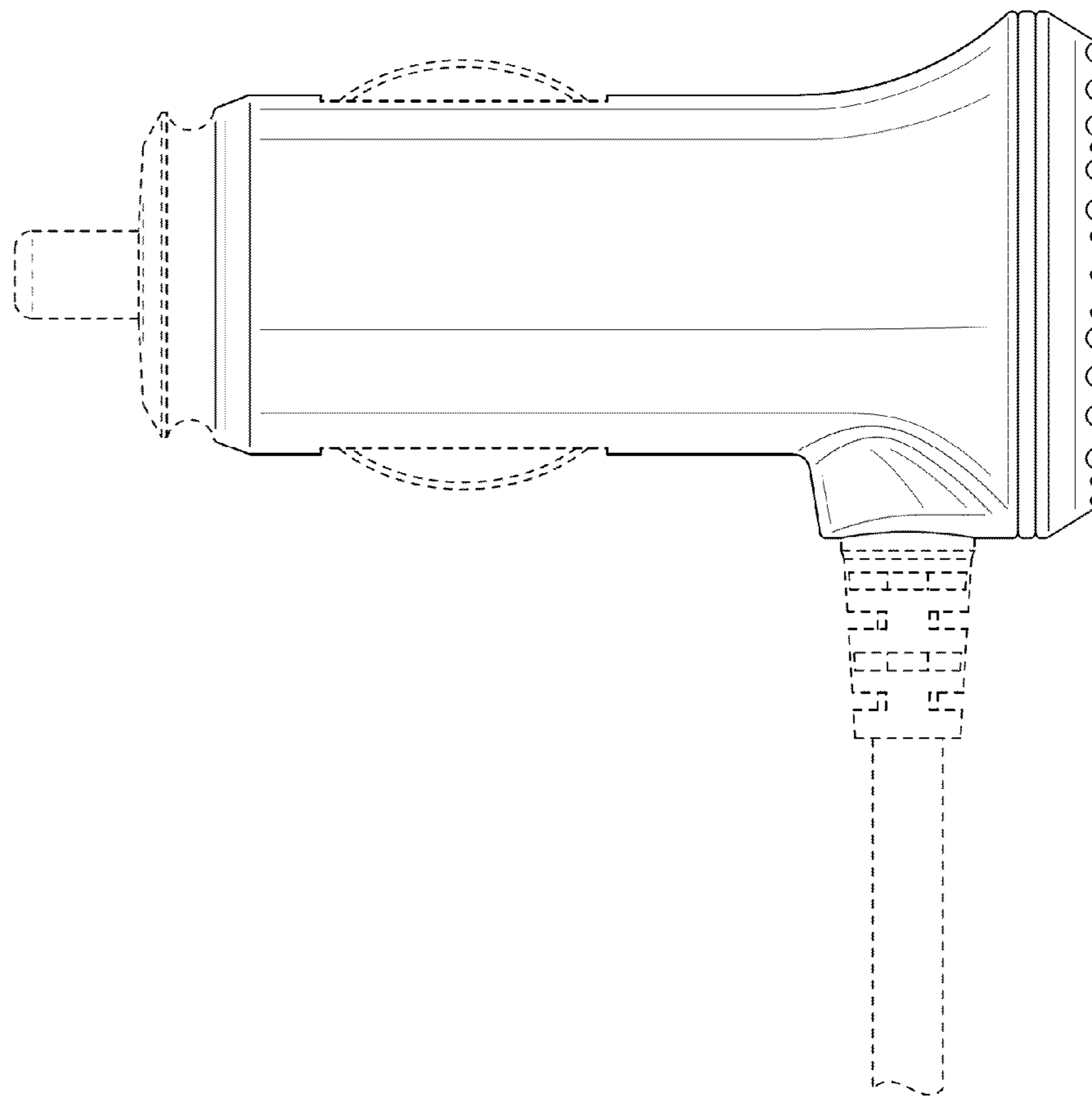


FIG. 4

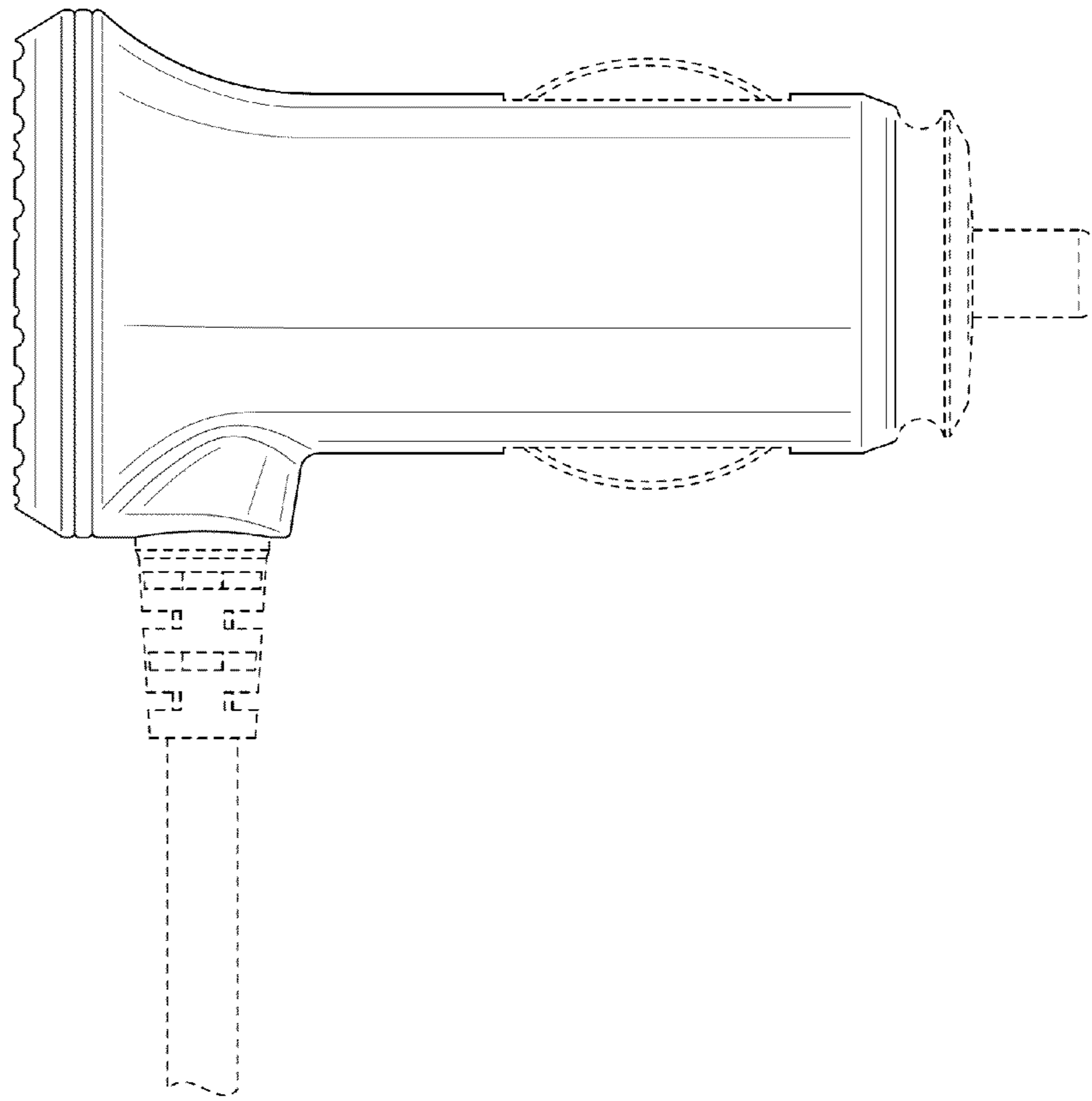


FIG. 5

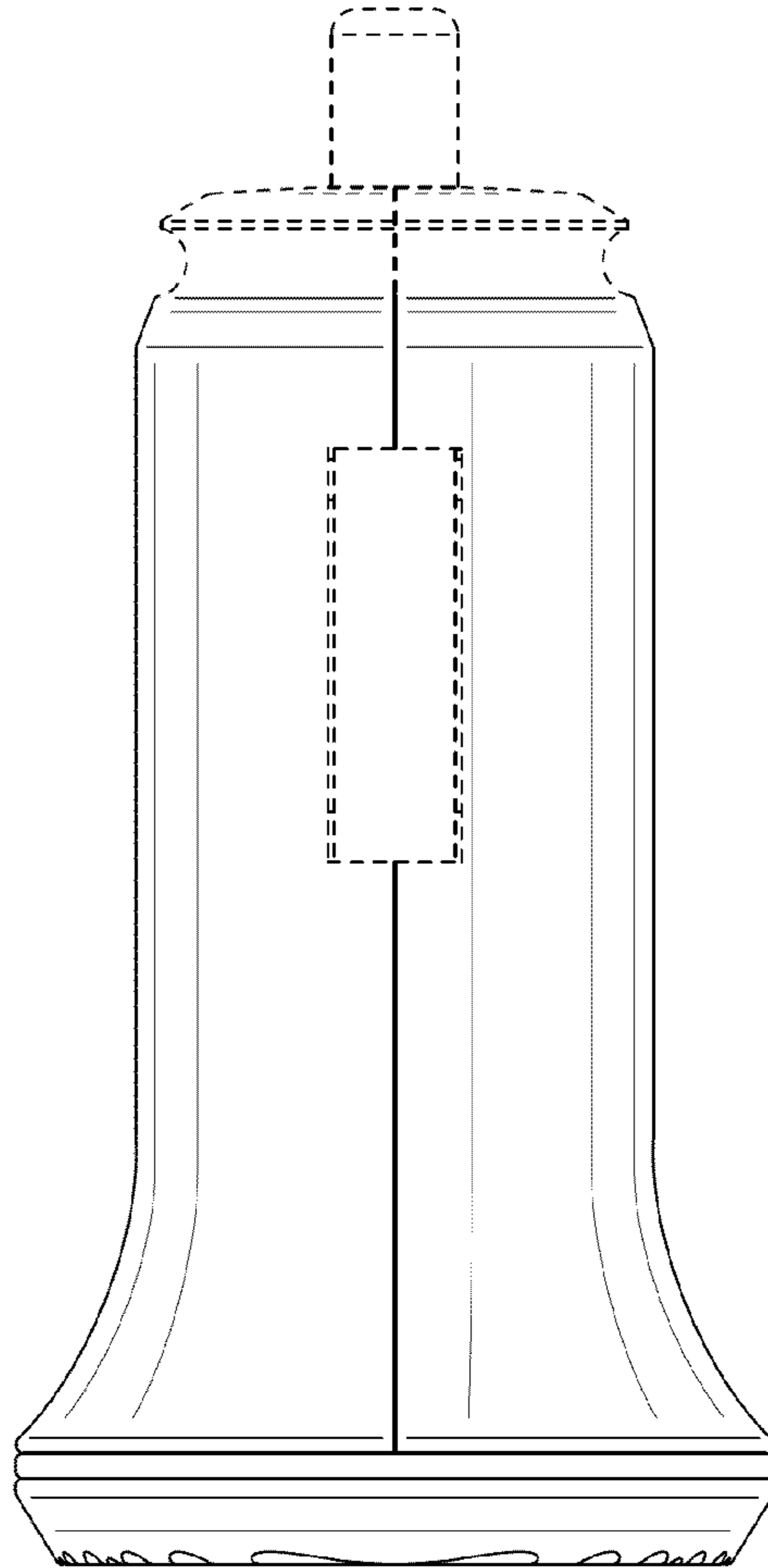


FIG. 6

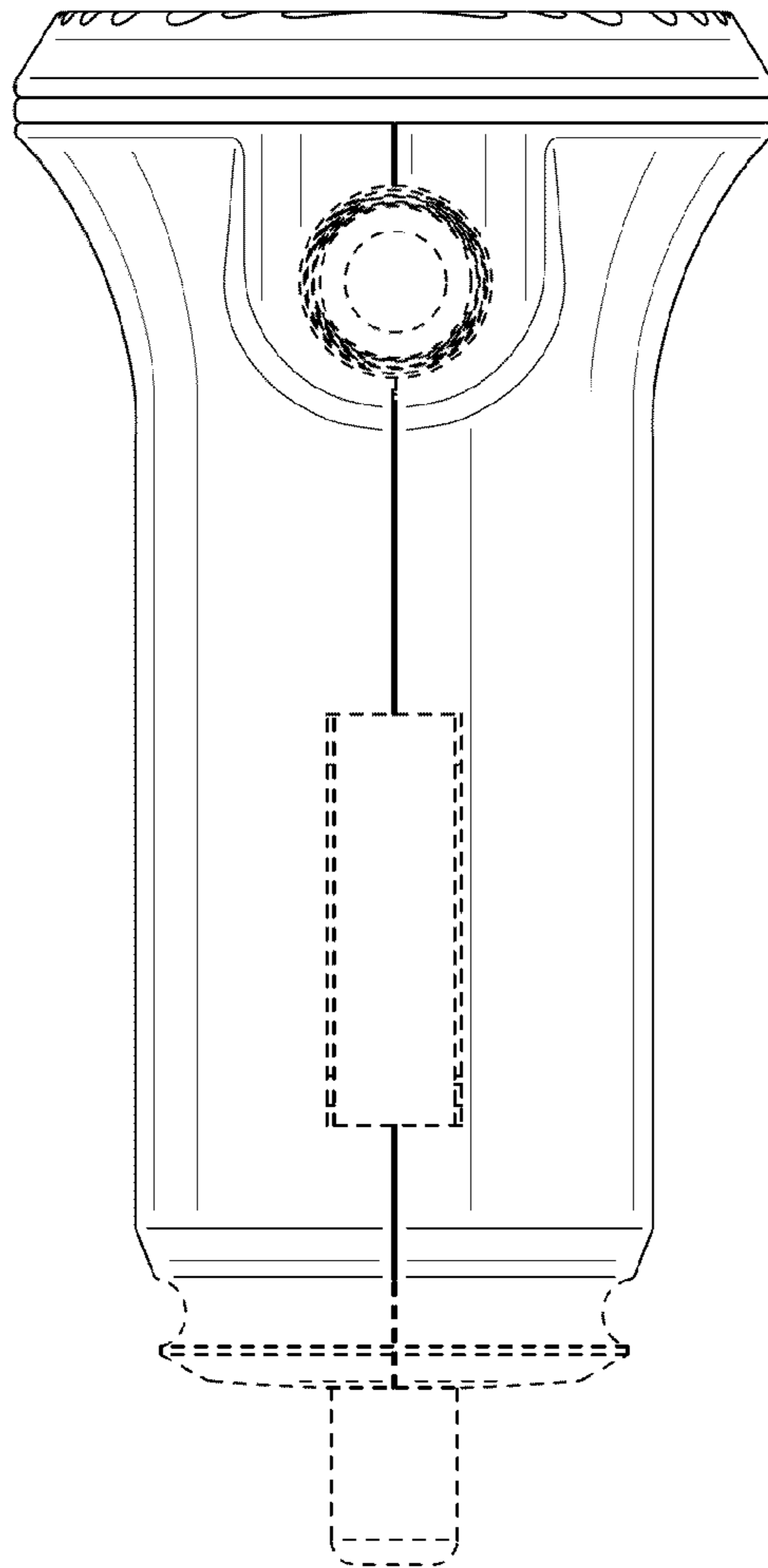


FIG. 7