



US00D750564S

(12) **United States Design Patent**
Weagle

(10) **Patent No.:** **US D750,564 S**
(45) **Date of Patent:** **** Mar. 1, 2016**

(54) **RETRACTABLE BLOCK HEATER CORD UNIT**

(71) Applicant: **Jamie C. Weagle**, Red Deer (CA)

(72) Inventor: **Jamie C. Weagle**, Red Deer (CA)

(**) Term: **14 Years**

(21) Appl. No.: **29/514,968**

(22) Filed: **Jan. 19, 2015**

(51) **LOC (10) Cl.** **13-03**

(52) **U.S. Cl.**
USPC **D13/137.4**

(58) **Field of Classification Search**

USPC D13/137.4, 137.1-137.3, 137.2, 139.1,
D13/139.2, 153, 154, 152, 149, 123;
D8/358, 400, 359; D26/113; D10/40;
439/501, 652; D12/400; 191/12.4,
191/12.2 R; 174/135; 211/26
CPC H01R 13/72; H01R 31/005; H02G 11/02;
B65H 75/40; B65H 75/4434; B65H 75/42;
B60L 11/1816

See application file for complete search history.

(56) **References Cited**

U.S. PATENT DOCUMENTS

2,232,580 A * 2/1941 Wickemeyer H02G 11/02
191/12.4
2,585,070 A * 2/1952 Allard H02G 11/02
191/12.2 R
4,322,045 A * 3/1982 Tellier B65H 75/40
242/388.1
4,384,688 A * 5/1983 Smith B65H 75/4434
191/12.2 R
4,971,577 A * 11/1990 Scheckel H02G 11/02
191/12.2 R
5,029,704 A * 7/1991 Stillinger H02G 11/02
174/135
5,531,333 A * 7/1996 Vara B65H 75/42
211/26
D387,776 S * 12/1997 Chan D13/139.7
5,855,262 A * 1/1999 Jackson B60L 11/1816
191/12.4
D409,978 S * 5/1999 Stekelenburg D13/139.6
D429,688 S * 8/2000 Russo D13/123
6,123,585 A * 9/2000 Hussong H01R 31/005
439/652

D435,518 S * 12/2000 Stekelenburg D13/139.8
D440,540 S * 4/2001 Loh D13/139.8
D460,363 S * 7/2002 Chen D10/40
D461,451 S 8/2002 Hawley
D467,553 S * 12/2002 Cheng D13/154
D473,189 S * 4/2003 Ho D13/139.8

(Continued)

FOREIGN PATENT DOCUMENTS

CA 2153222 A1 1/1997
CA 2200668 A1 9/1998
EP 0963013 B1 4/2003

OTHER PUBLICATIONS

<http://www.retractable-extension-cord.com/arctio-leash-vehicle-mount.html>.

(Continued)

Primary Examiner — Holly Baynham

Assistant Examiner — Rhea Shields

(74) *Attorney, Agent, or Firm* — Robert C. Montgomery;
Montgomery Patent & Design, LLC

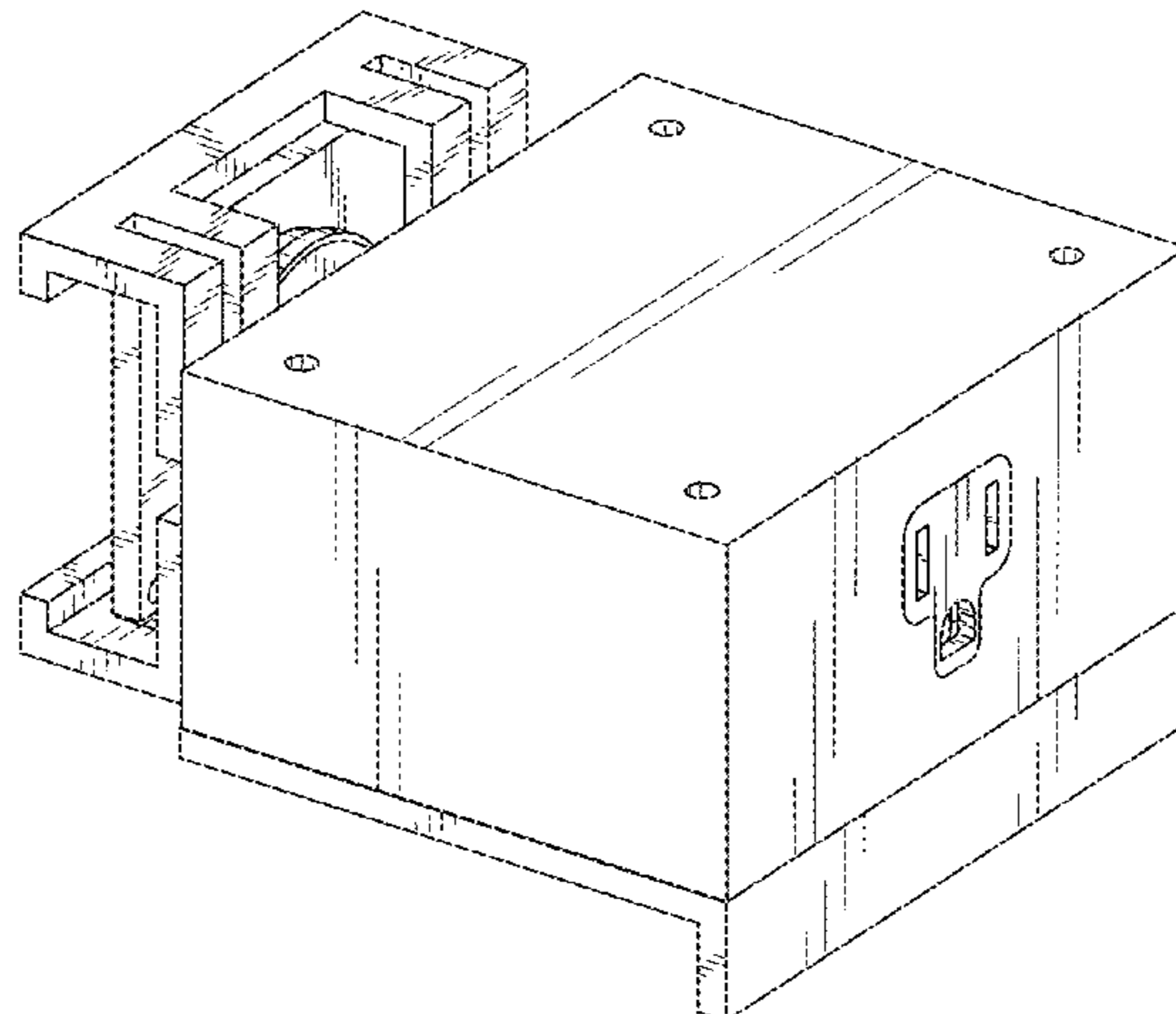
(57) **CLAIM**

The ornamental design for a retractable block heater cord unit, as shown and described.

DESCRIPTION

FIG. 1 is a perspective front side view of a retractable block heater cord unit;
FIG. 2 is a perspective back side view of a retractable block heater cord unit thereof;
FIG. 3 is a perspective bottom side view of a retractable block heater cord unit thereof;
FIG. 4 is a front view thereof;
FIG. 5 is a rear view thereof;
FIG. 6 is a left side view thereof, wherein a right side view is a mirror image of the left side view;
FIG. 7 is a top view thereof; and,
FIG. 8 is a bottom view thereof.

1 Claim, 8 Drawing Sheets



(56)

References Cited

U.S. PATENT DOCUMENTS

D479,979 S * 9/2003 Kovacik D8/358
D537,403 S * 2/2007 Villani D12/400
D547,173 S * 7/2007 Olney D8/400
D569,233 S * 5/2008 Kishimoto D8/358
D584,937 S * 1/2009 Kovacik D8/358
D613,697 S * 4/2010 Symons D13/149
D651,651 S * 1/2012 Beukema D13/139.1
D654,781 S * 2/2012 Tsai D8/359
D685,956 S * 7/2013 Zhu D30/153
D702,198 S * 4/2014 Gretz D13/152

8,905,780 B2 * 12/2014 Vallon H01R 13/72
439/501
D735,926 S * 8/2015 Holley D26/113
D739,213 S * 9/2015 Hardy D8/358
D742,204 S * 11/2015 Fortier D8/358
2003/0038203 A1 2/2003 Ohama
2011/0300744 A1 12/2011 Garry

OTHER PUBLICATIONS

http://www.homedepot.com/p/Tasco-25-ft-Diamond-Plated-Chrome-Retractable-Reel-with-Lighted-3-Outlet-Receptacle-422-960/100635358#.UtQkf_RDudE (Nov. 9, 2011).

* cited by examiner

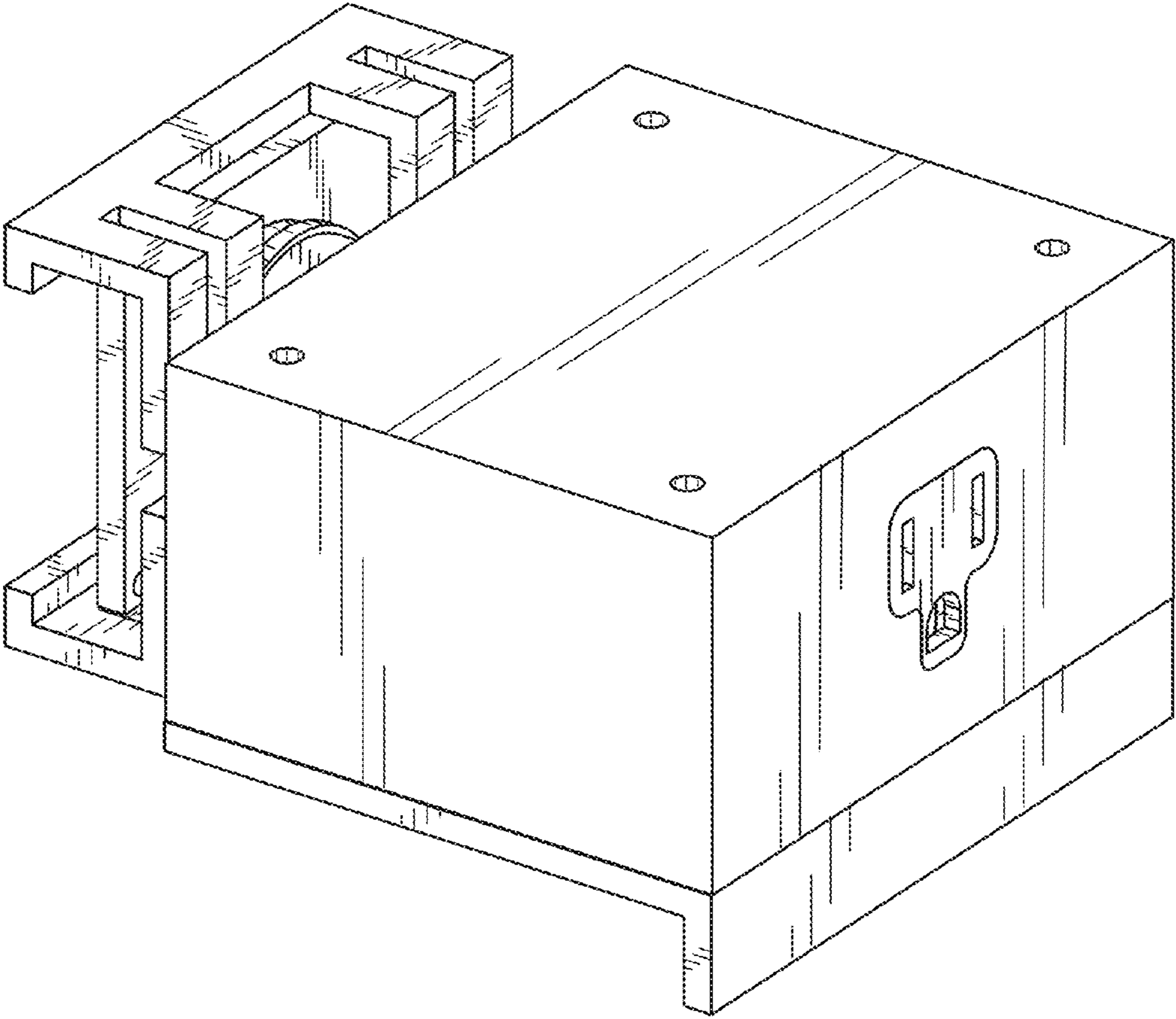


Fig. 1

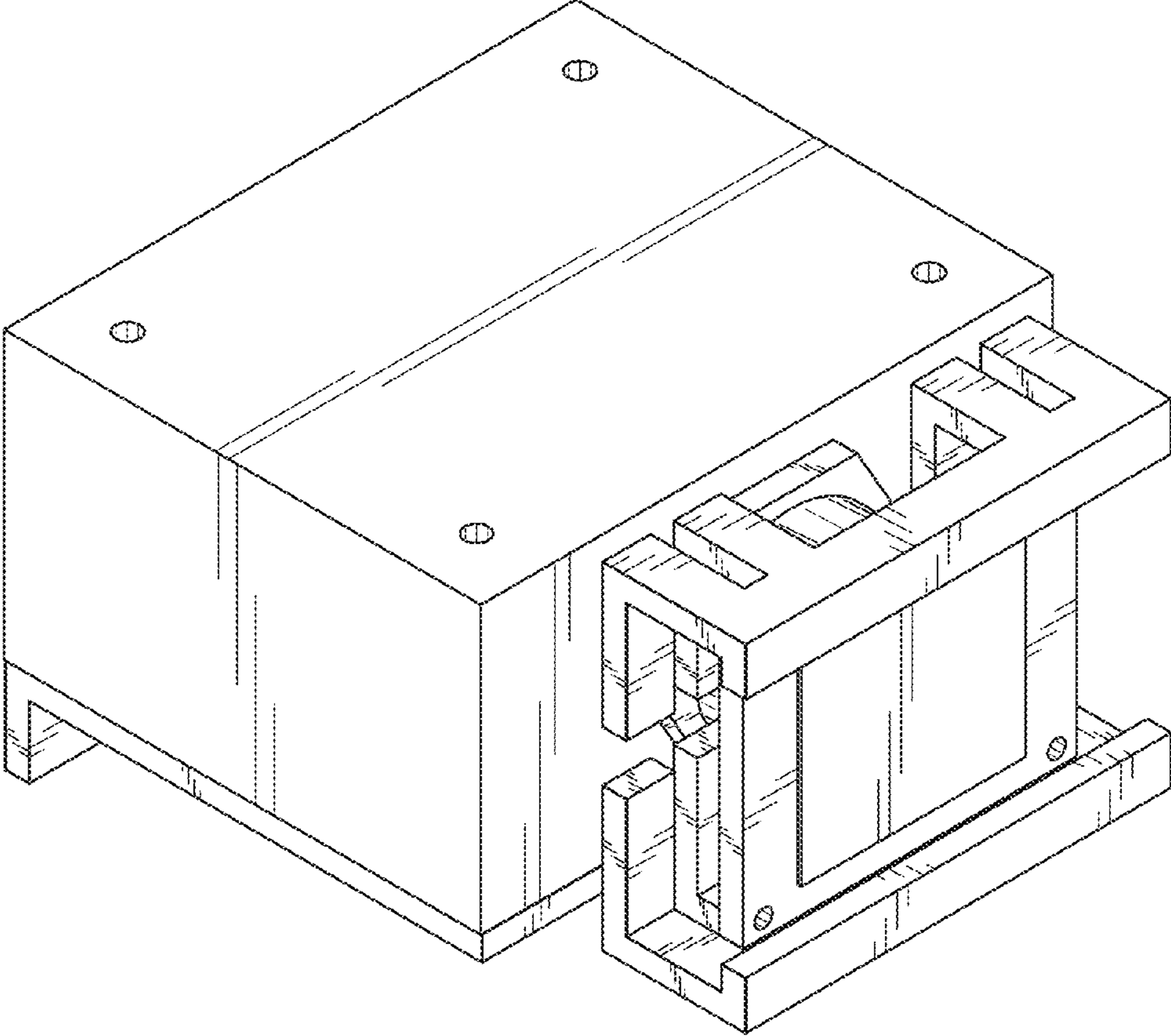


Fig. 2

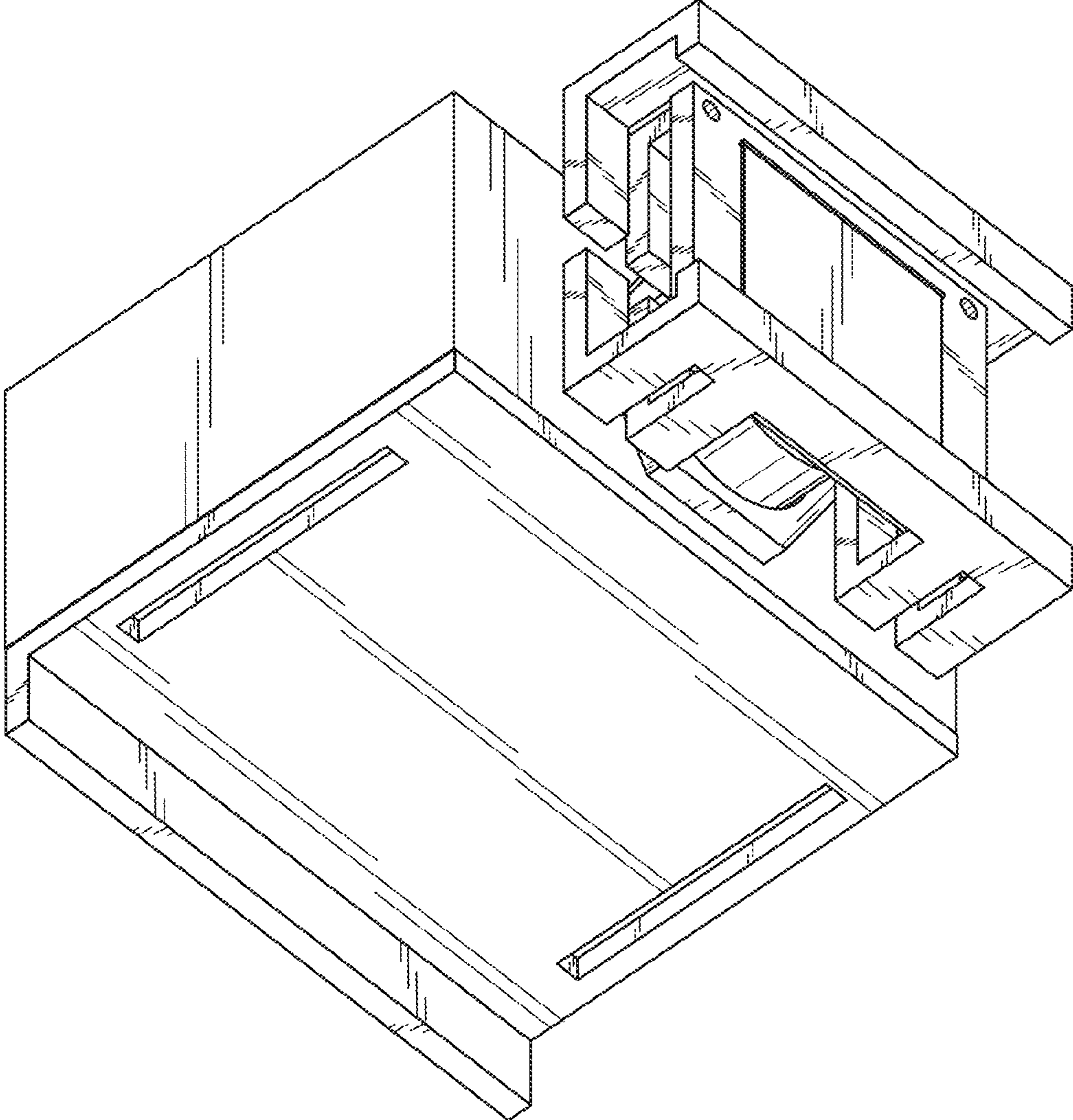


Fig. 3

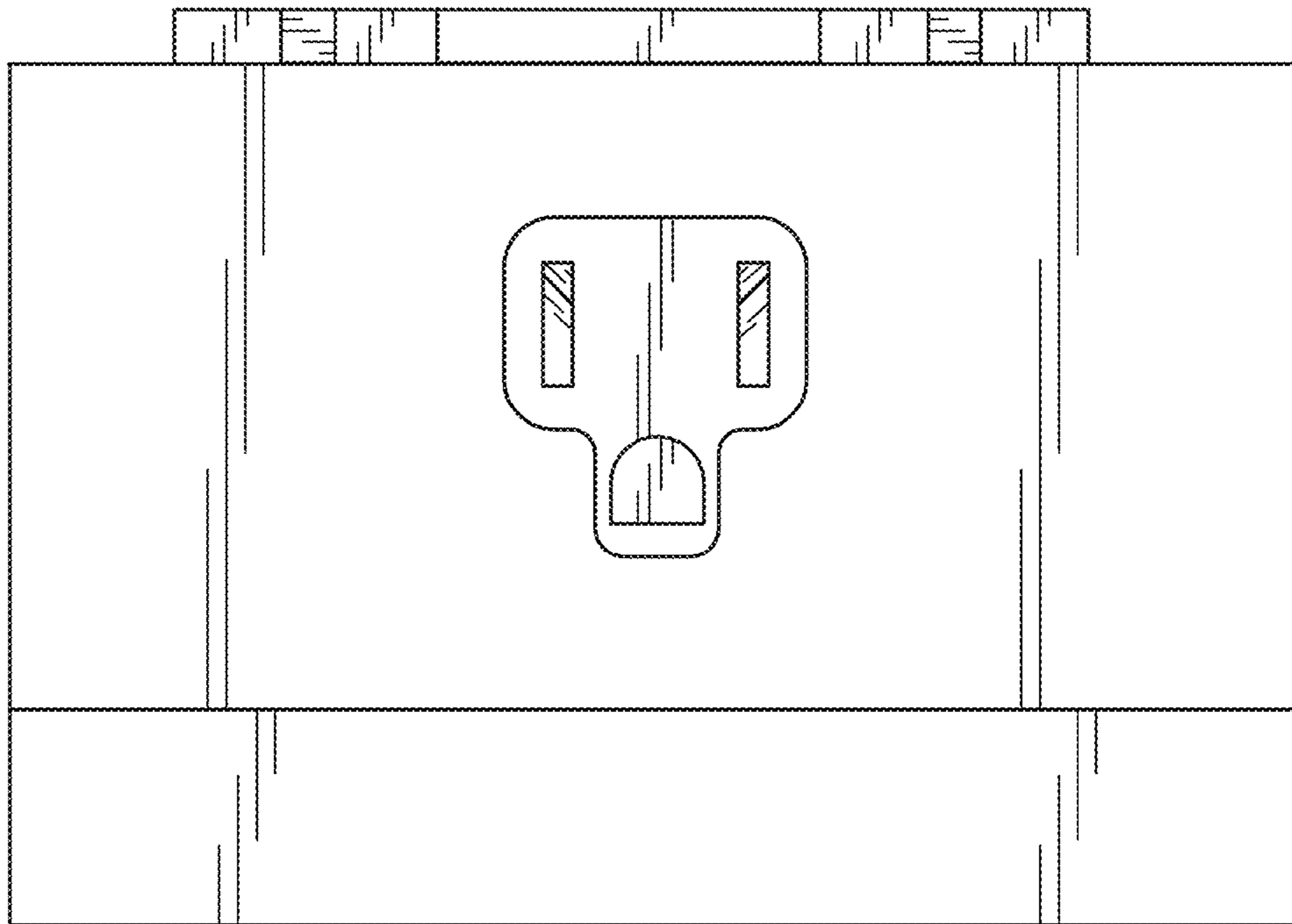


Fig. 4

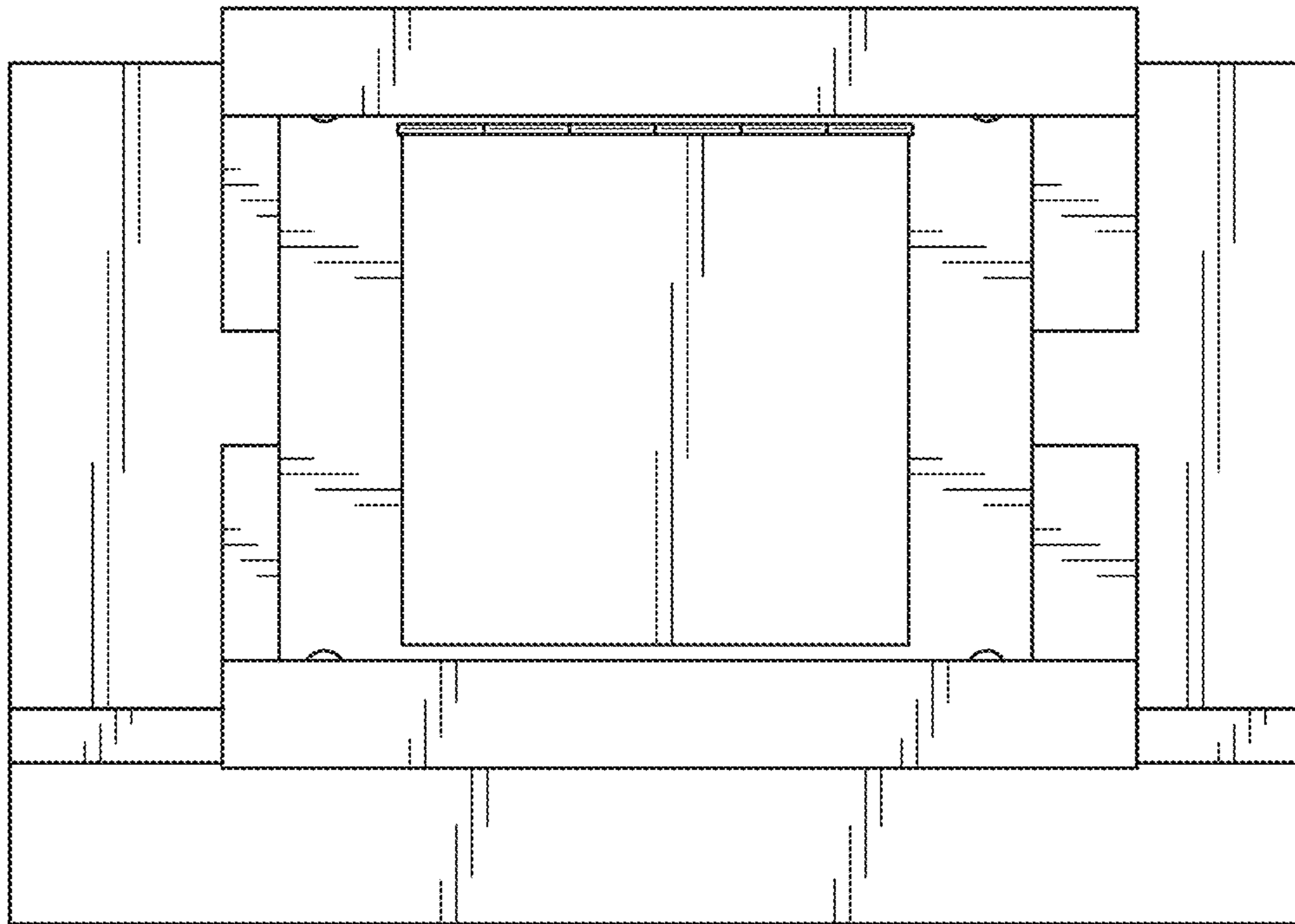


Fig. 5

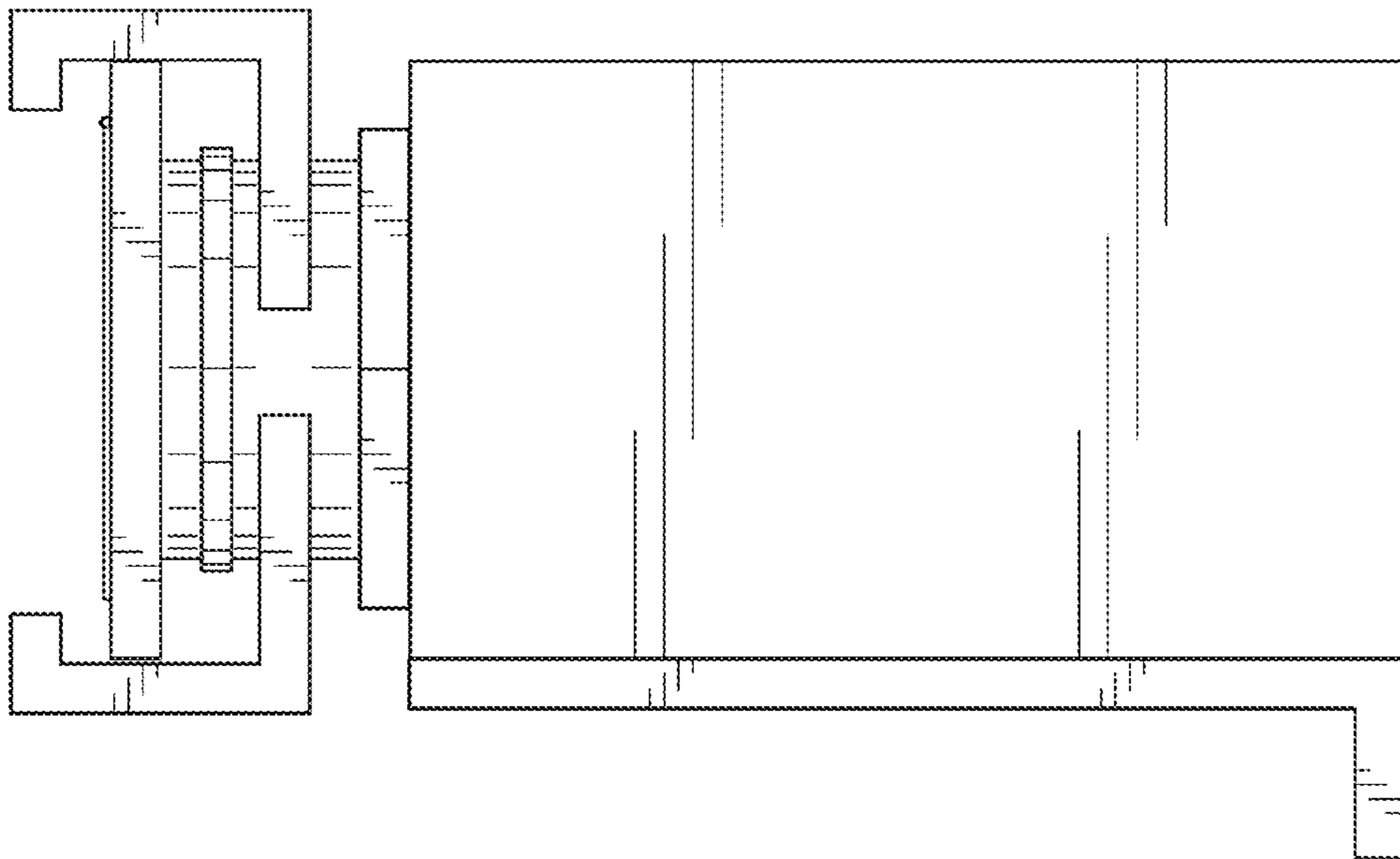


Fig. 6

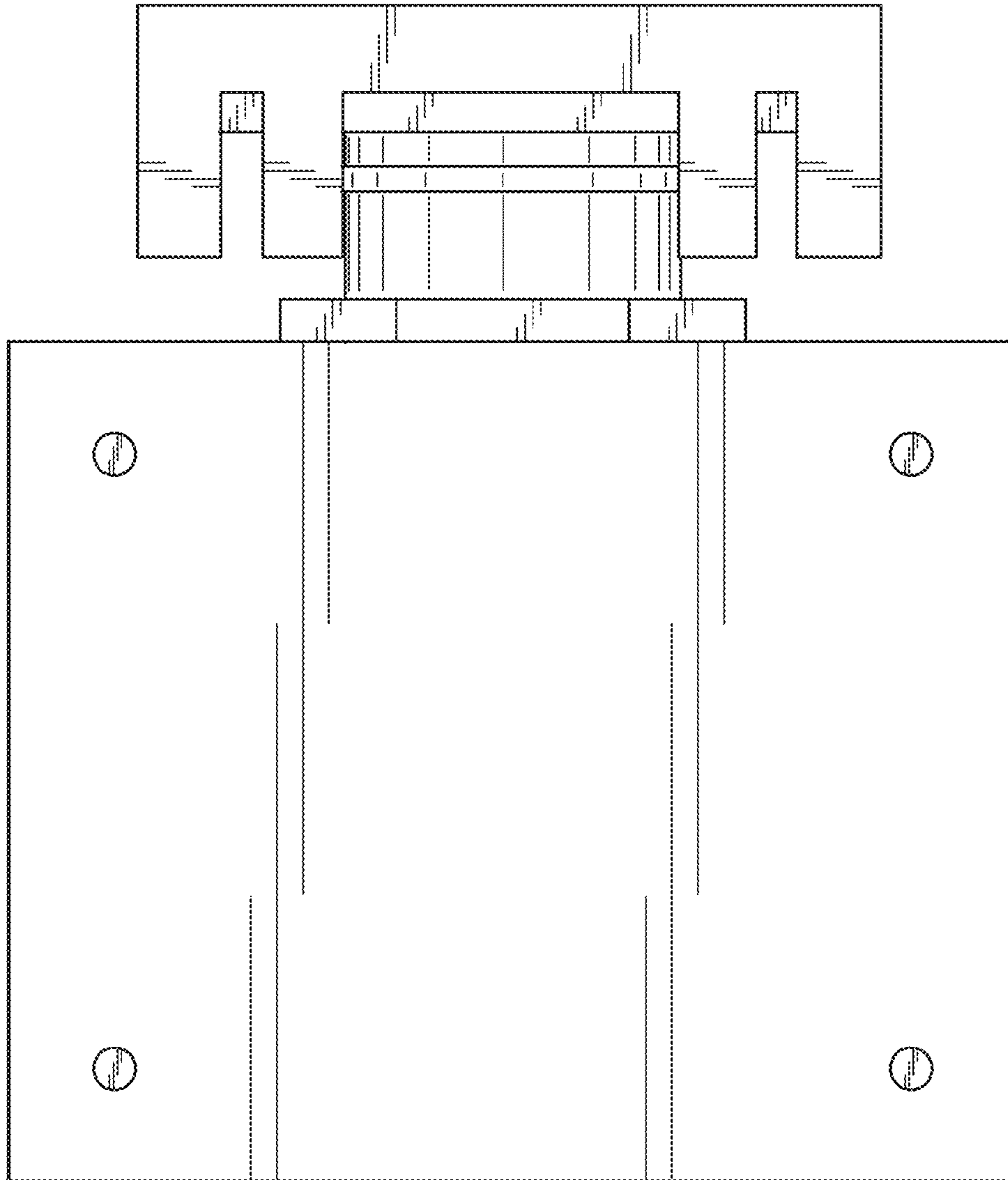


Fig. 7

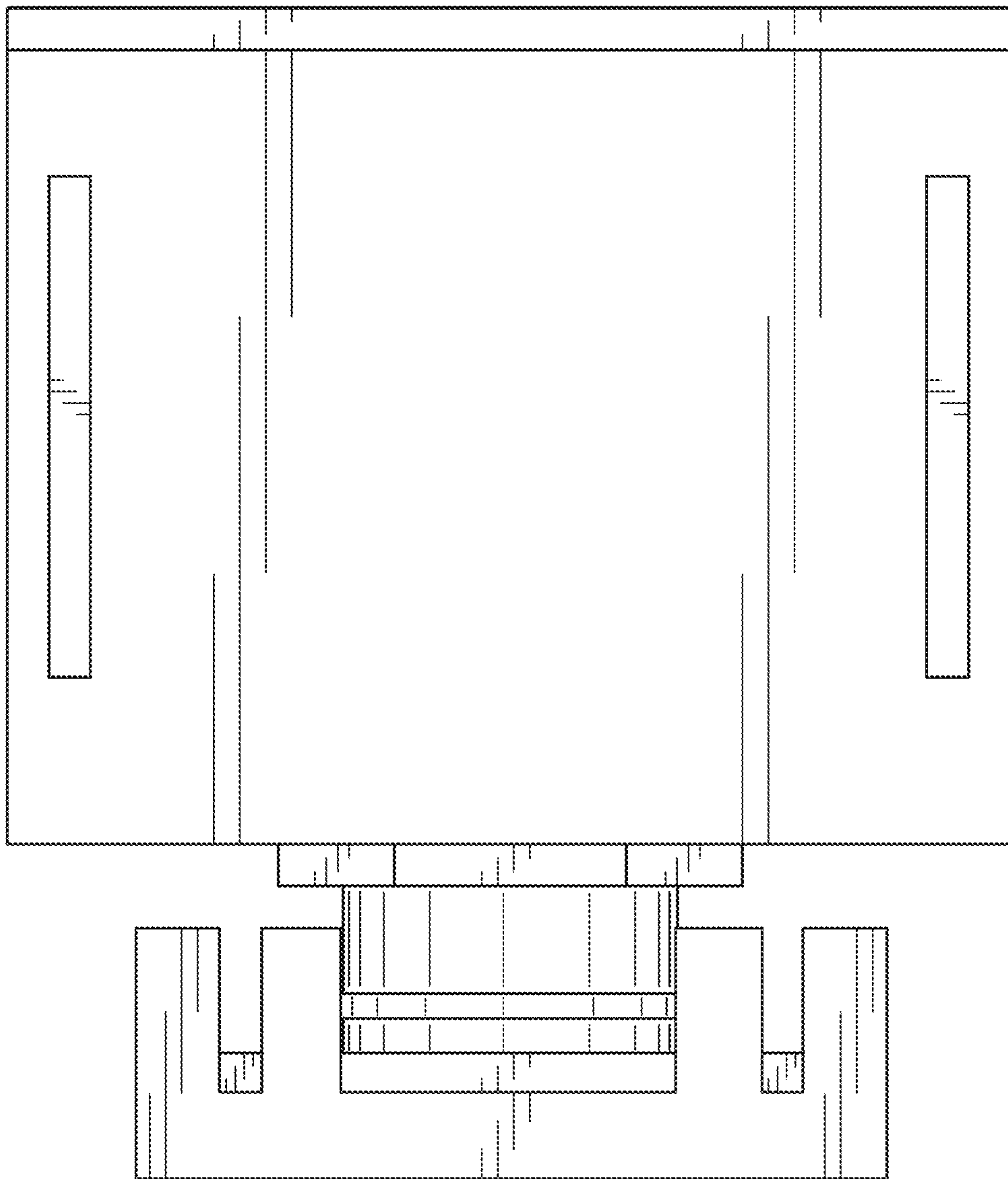


Fig. 8