



US00D750562S

(12) **United States Design Patent**  
**Makimura et al.**

(10) **Patent No.:** **US D750,562 S**  
(45) **Date of Patent:** **\*\* Mar. 1, 2016**

(54) **ELECTRICAL CONNECTOR**  
(71) Applicant: **SMK Corporation**, Tokyo (JP)  
(72) Inventors: **Takanobu Makimura**, Toyama (JP);  
**Kohei Hayashi**, Toyama (JP)  
(73) Assignee: **SMK Corporation**, Tokyo (JP)  
(\*\*) Term: **14 Years**

D237,190 S *	10/1975	Shibata .....	D13/156
4,705,339 A *	11/1987	Hayes et al. ....	439/277
D308,511 S *	6/1990	Makita et al. ....	D13/146
D314,750 S *	2/1991	Wegrzyn et al. ....	D13/146
D319,625 S *	9/1991	Nagasaka et al. ....	D13/146
D323,154 S *	1/1992	Ohkura et al. ....	D13/147
D335,864 S *	5/1993	Kensaku et al. ....	D13/133
D336,632 S *	6/1993	Nakata et al. ....	D13/133
D390,192 S *	2/1998	Ono .....	D13/147
D475,014 S *	5/2003	Kano .....	D13/133
D629,358 S *	12/2010	Slippy et al. ....	D13/133
2014/0148030 A1 *	5/2014	Makimura .....	439/271
2014/0315427 A1 *	10/2014	Kunieda et al. ....	439/578

(21) Appl. No.: **29/467,648**

\* cited by examiner

(22) Filed: **Sep. 20, 2013**

*Primary Examiner* — Rosemary K Tarcza

*Assistant Examiner* — Sanjeev Paul

(30) **Foreign Application Priority Data**

(74) *Attorney, Agent, or Firm* — Locke Lord LLP

Apr. 1, 2013 (JP) ..... 2013-008676

(51) **LOC (10) Cl.** ..... **13-03**

(57) **CLAIM**

The ornamental design for an electrical connector, as shown and described.

(52) **U.S. Cl.**

USPC ..... **D13/133**

**DESCRIPTION**

(58) **Field of Classification Search**

USPC ..... D13/133, 146, 147, 153, 154, 156, 184,  
D13/199; 439/578

CPC ..... H01R 24/38; H01R 13/40

See application file for complete search history.

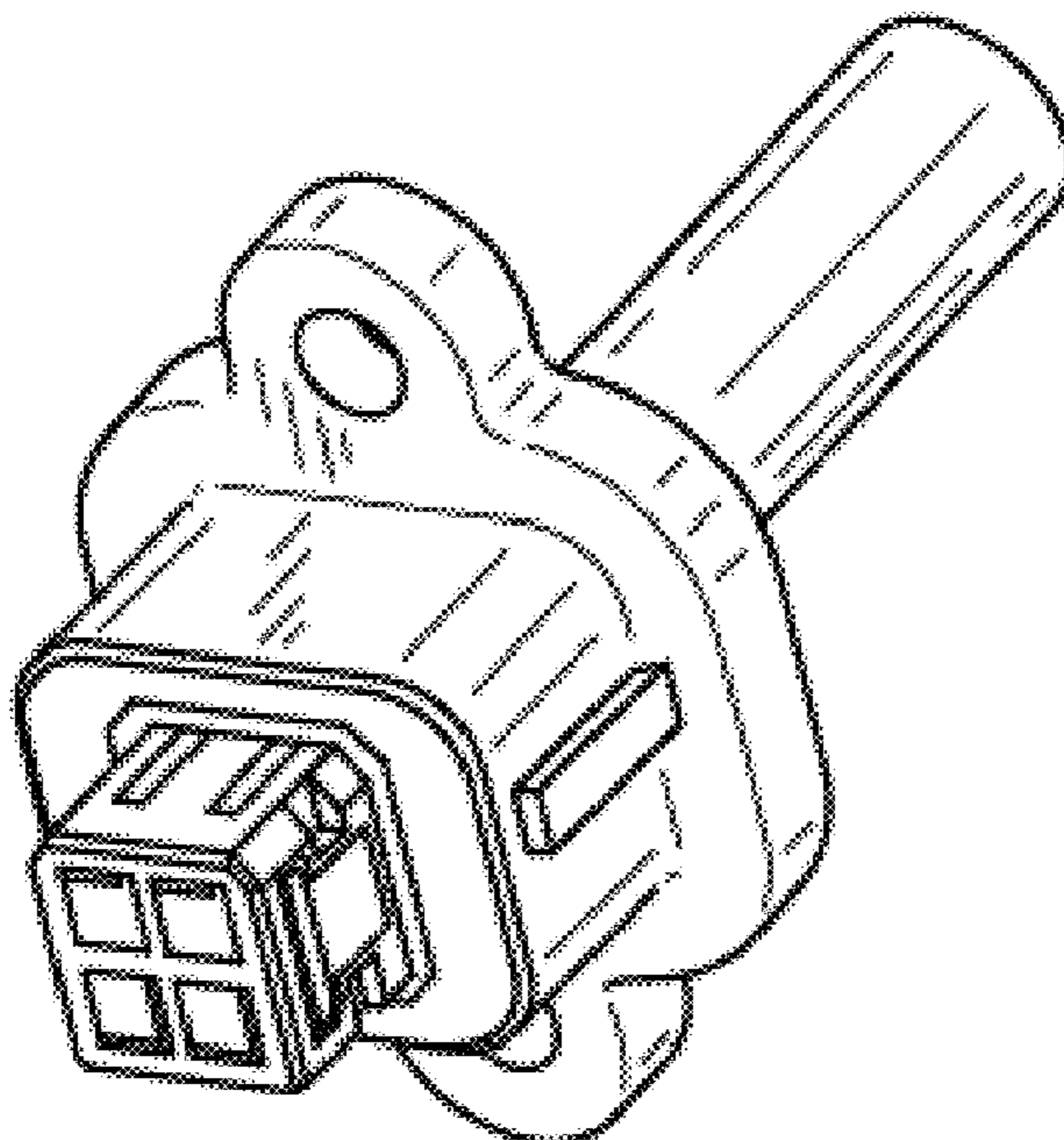
FIG. 1 is a front view of an electrical connector showing an embodiment of a new design;  
FIG. 2 is a top view thereof;  
FIG. 3 is a right side view thereof;  
FIG. 4 is a left side view thereof;  
FIG. 5 is a rear view thereof;  
FIG. 6 is a bottom view thereof;  
FIG. 7 is a front perspective view thereof; and,  
FIG. 8 is a rear perspective view thereof.

(56) **References Cited**

**U.S. PATENT DOCUMENTS**

D152,275 S *	1/1949	Ludwig .....	D13/146
D187,792 S *	5/1960	Stover .....	D13/152
D212,361 S *	10/1968	Schuler .....	D13/199

**1 Claim, 4 Drawing Sheets**



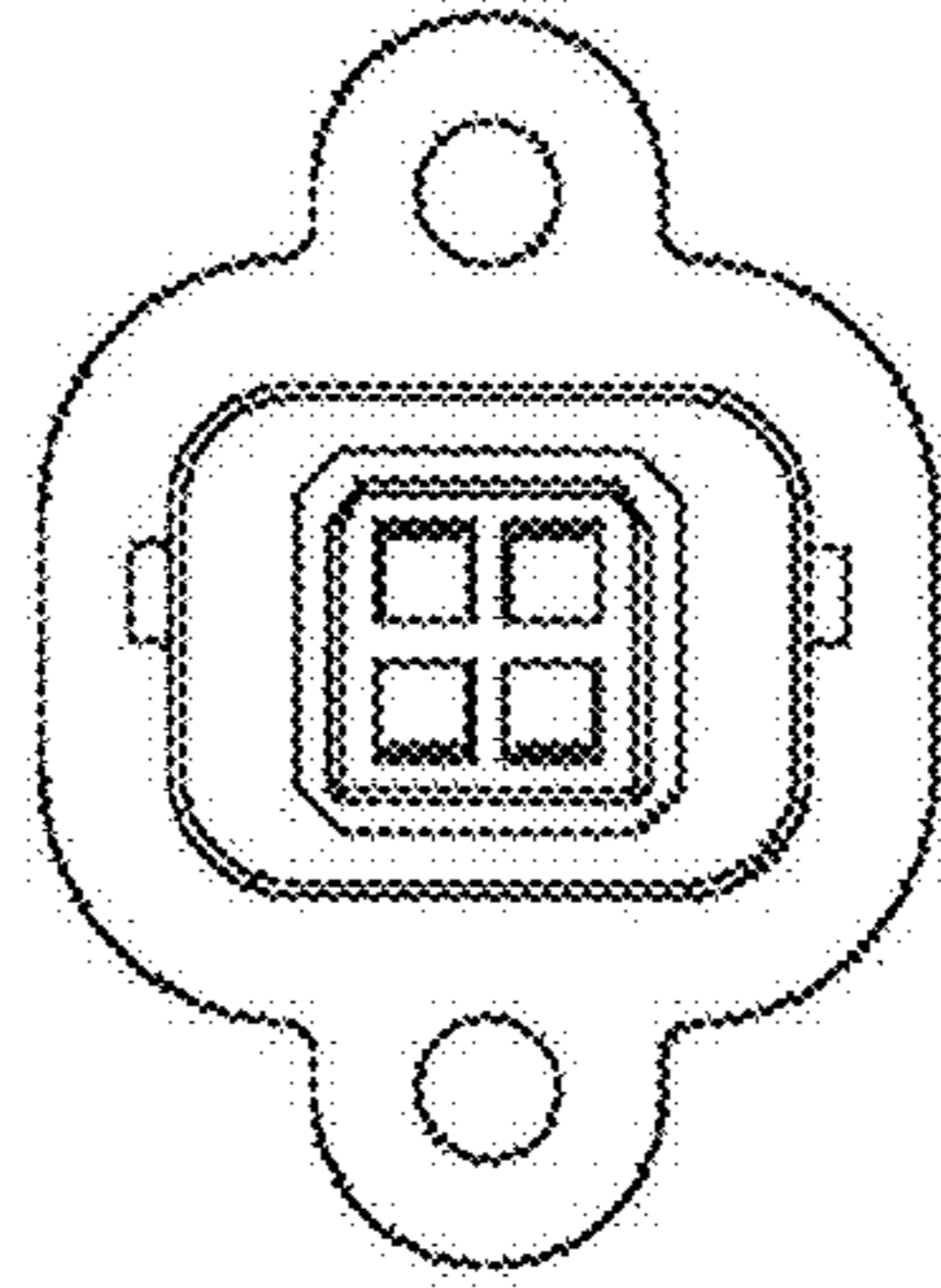


FIG. 1

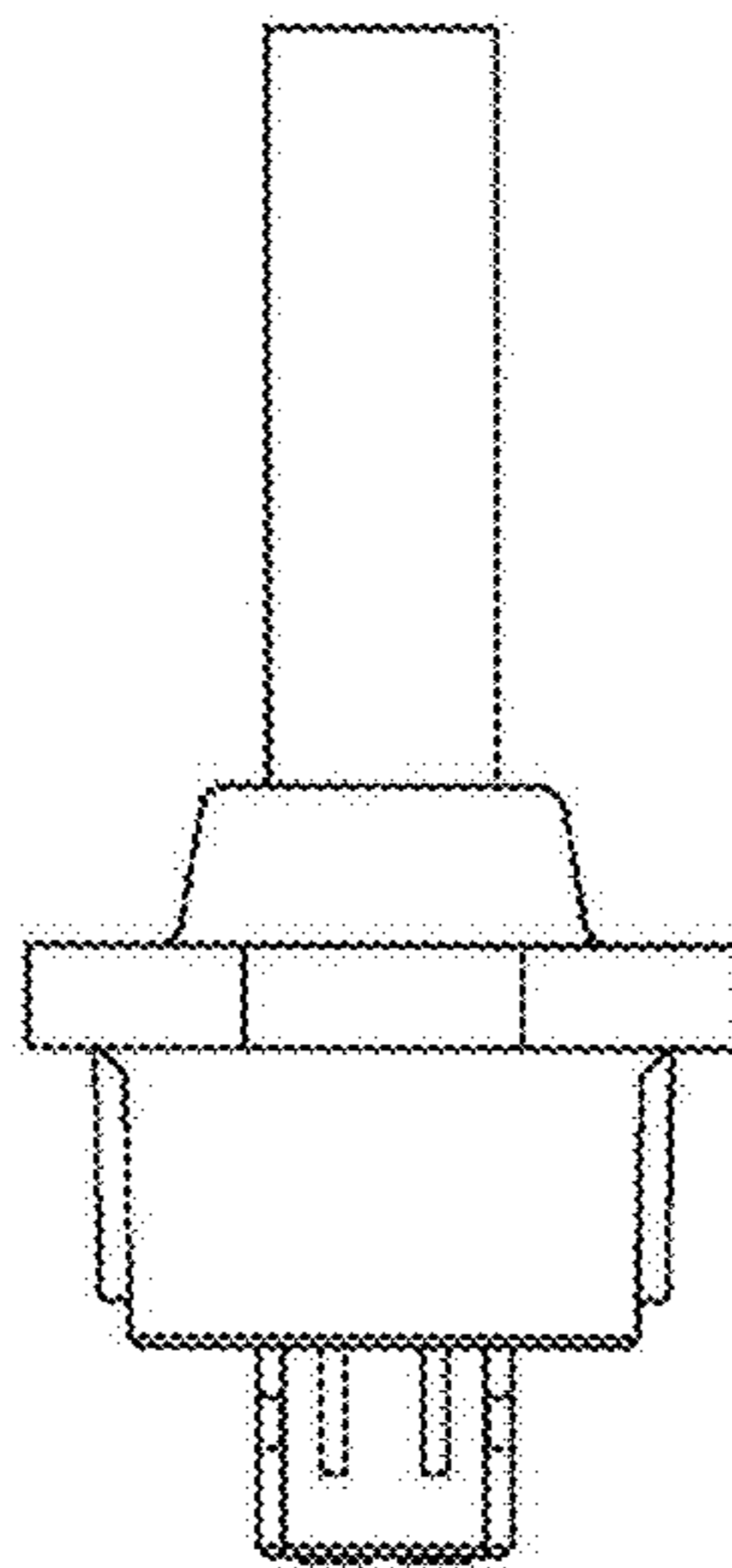


FIG. 2

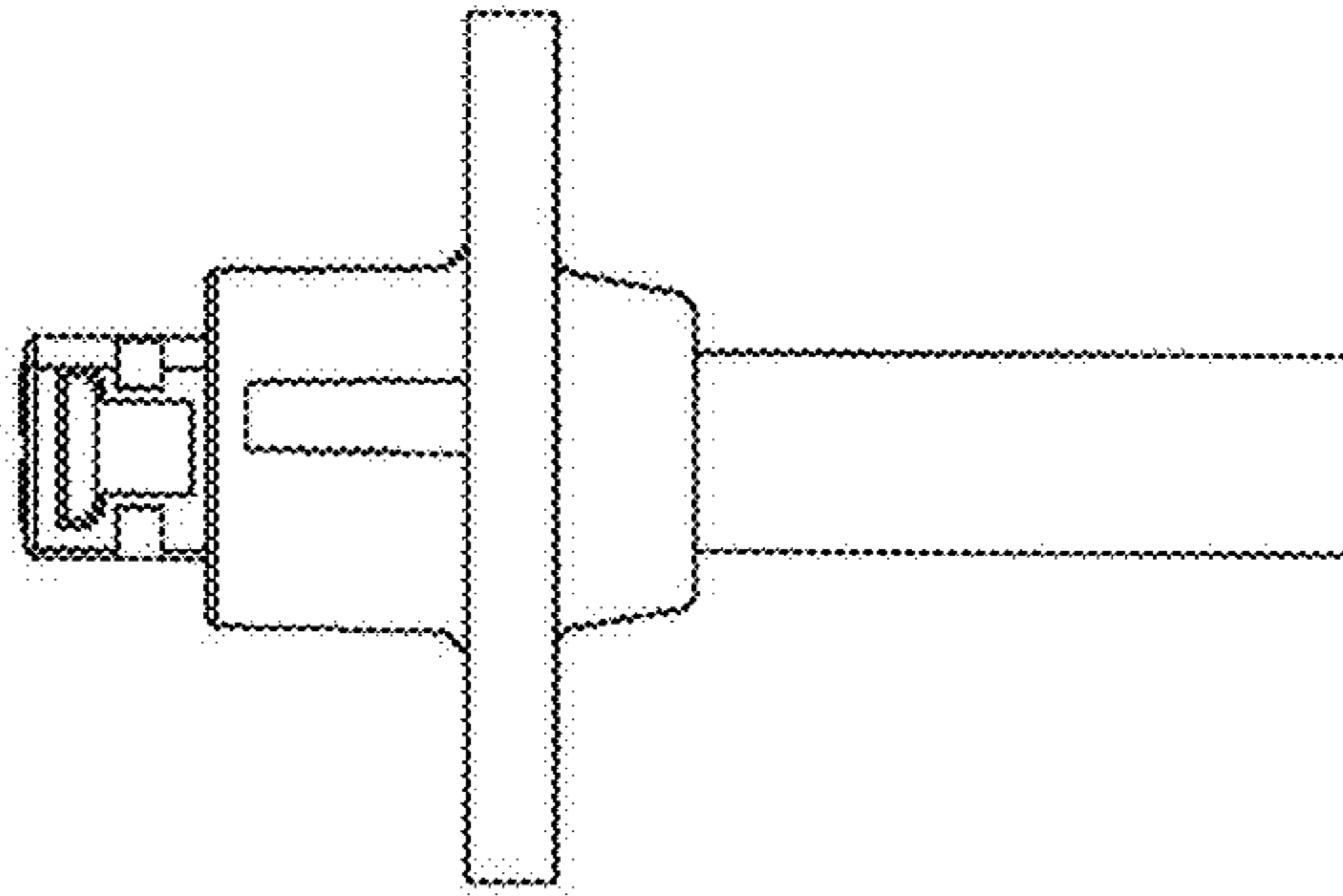


FIG. 3

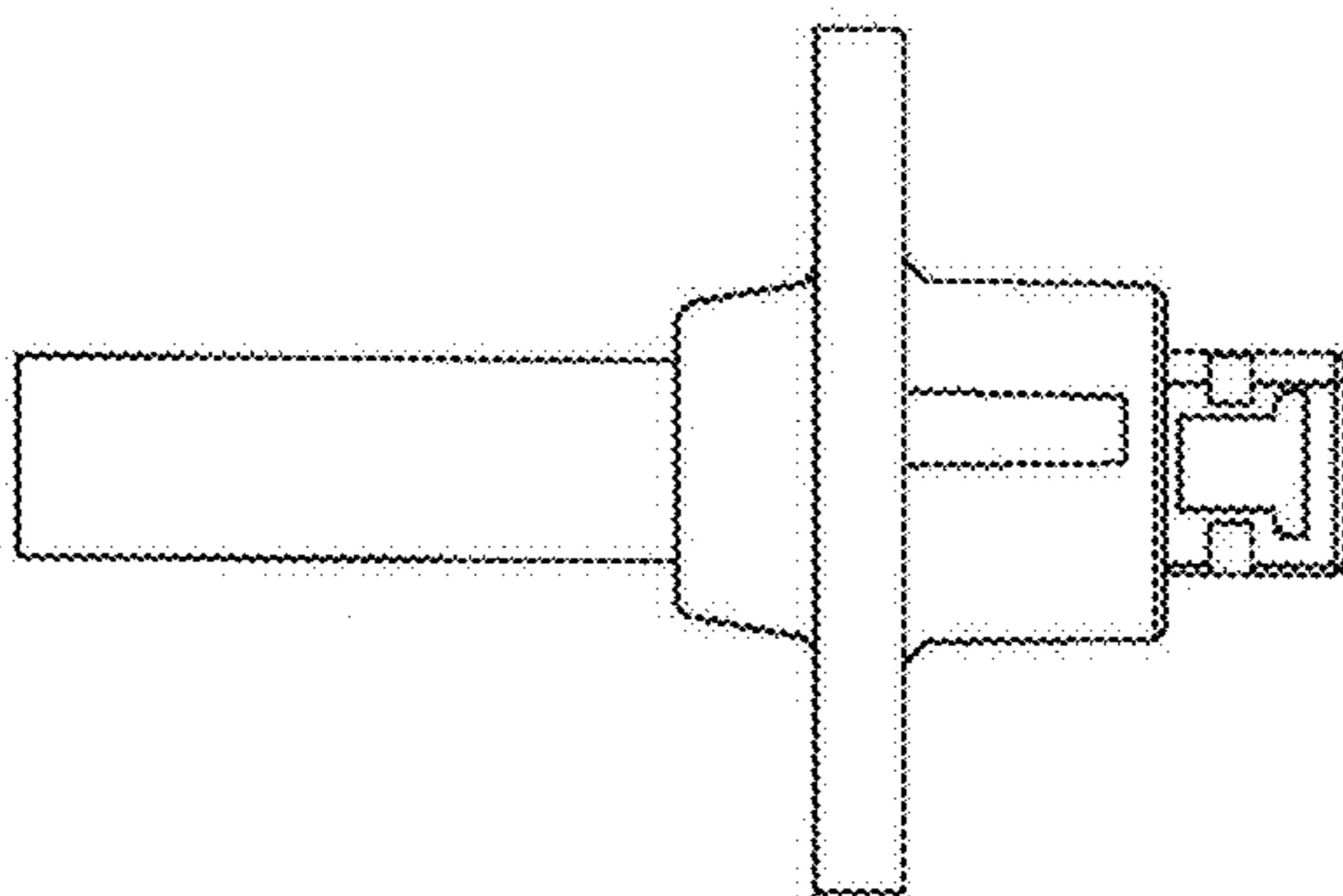


FIG. 4

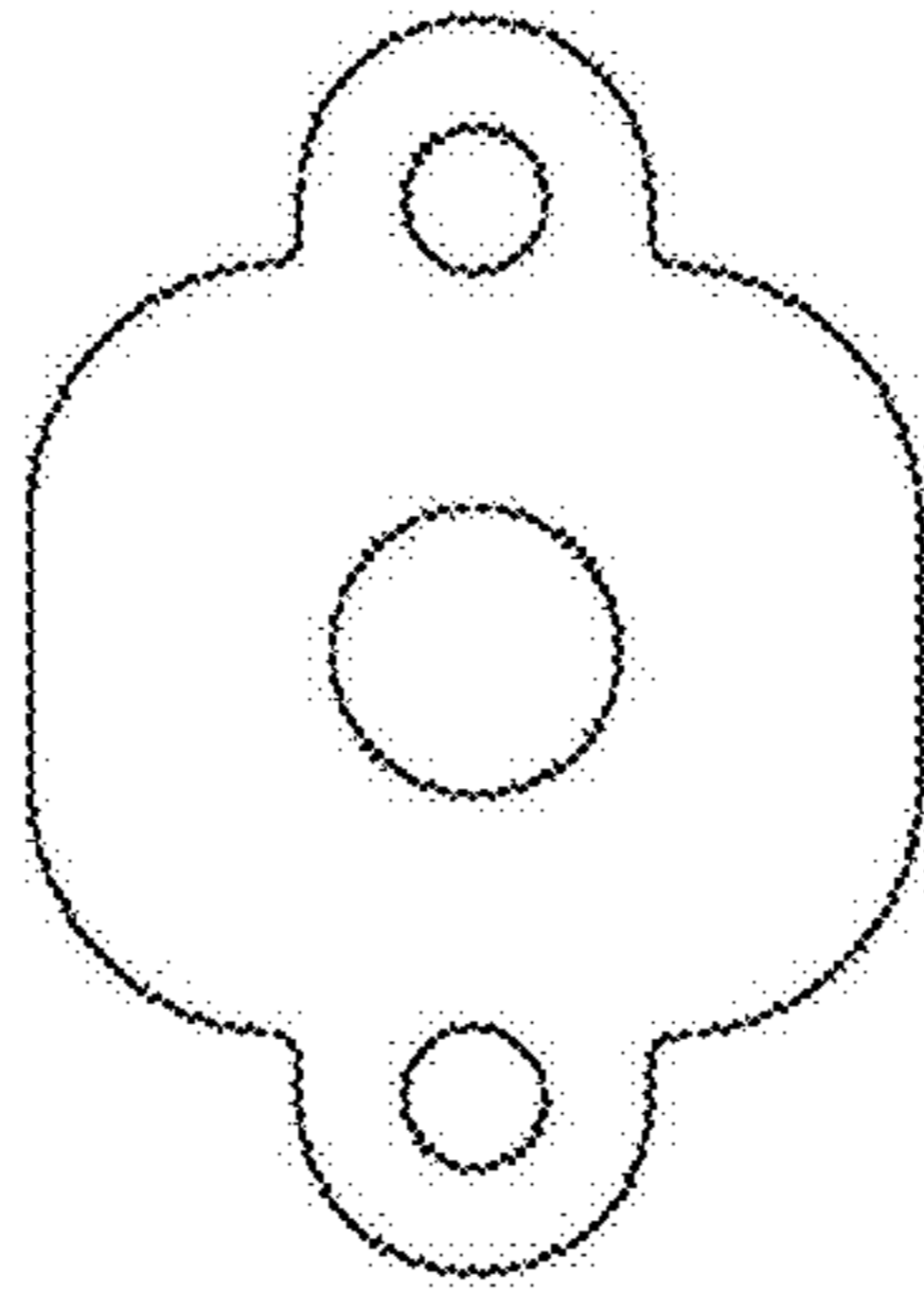


FIG. 5

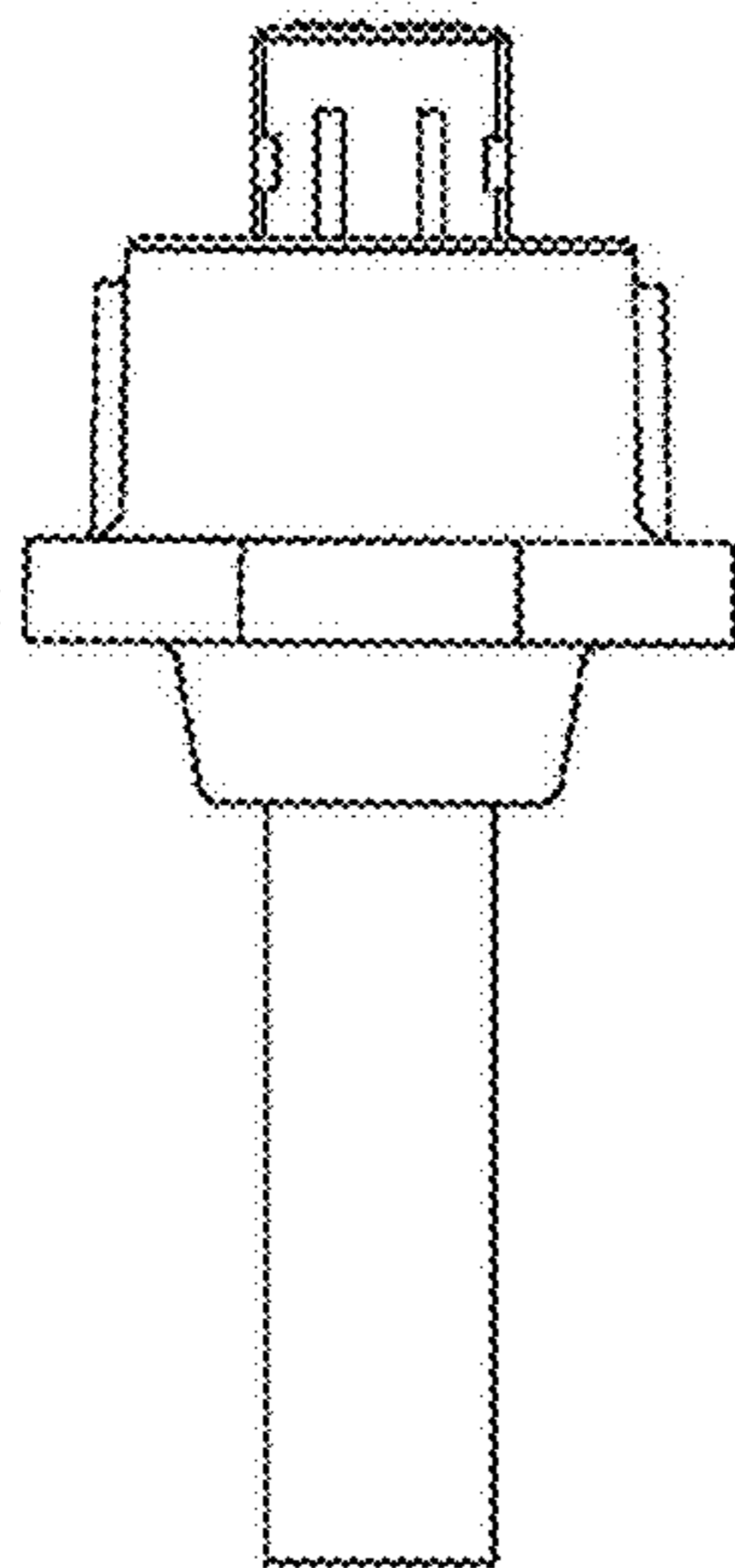


FIG. 6

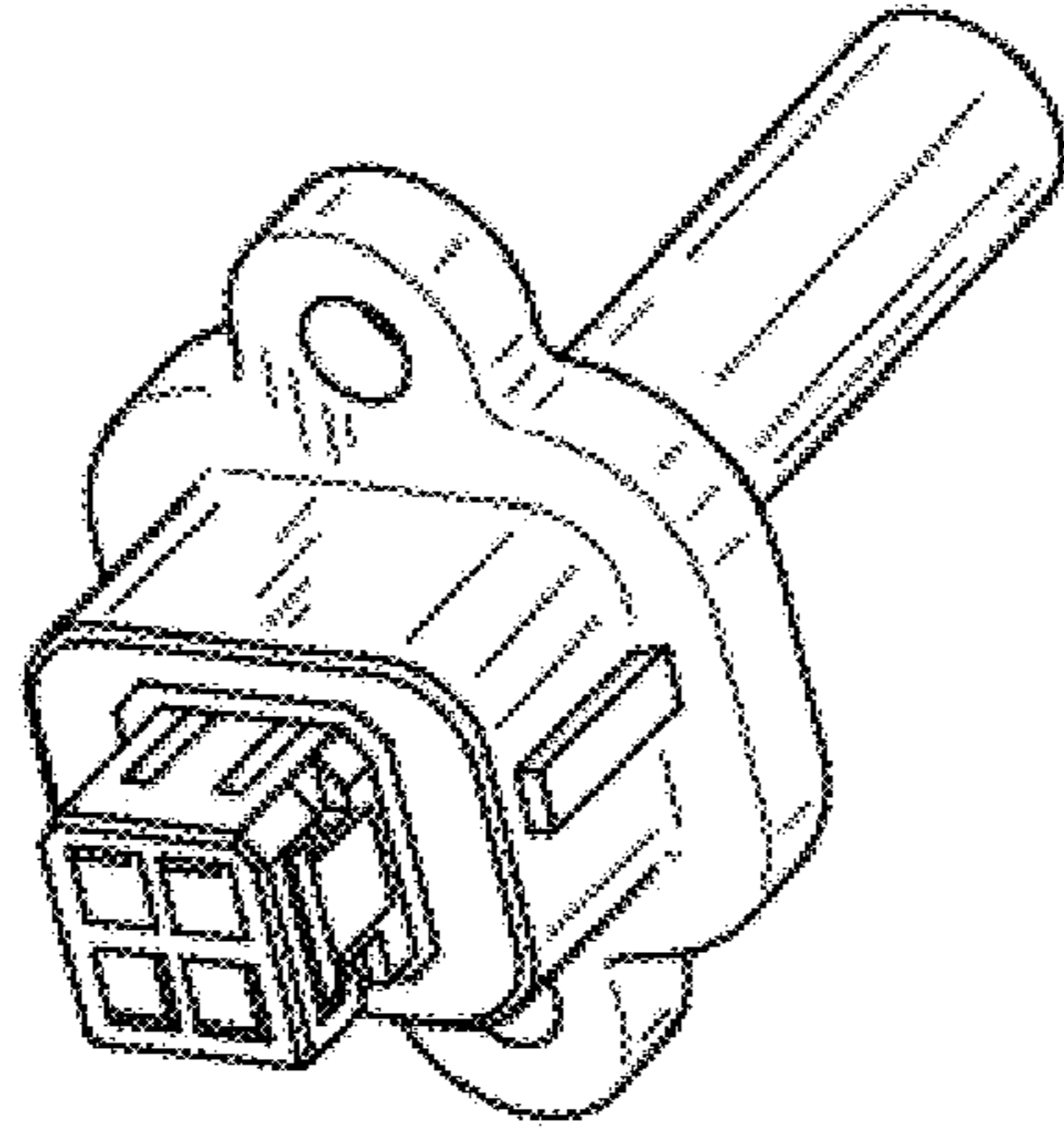


FIG. 7

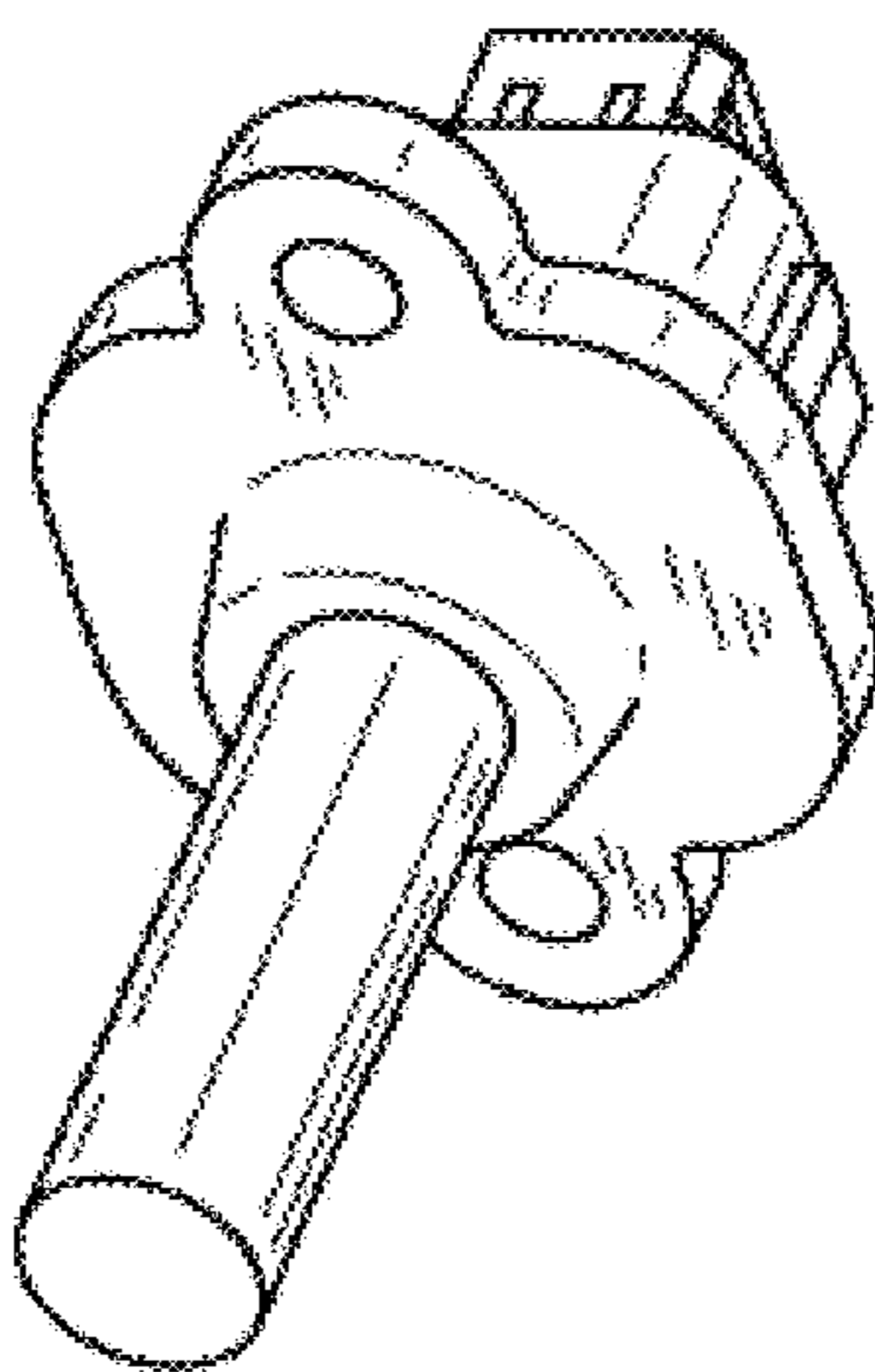


FIG. 8