

US00D750558S

(12) **United States Design Patent**
Yamachi et al.

(10) **Patent No.:** **US D750,558 S**
(45) **Date of Patent:** **** Mar. 1, 2016**

(54) **BATTERY MODULE**

- (71) Applicant: **Hitachi Automotive Systems, Ltd.**,
Ibaraki (JP)
- (72) Inventors: **Nayuta Yamachi**, Hitachinaka (JP);
Eisuke Sengoku, Hitachinaka (JP);
Takashi Kobune, Hitachinaka (JP);
Chikara Kikkawa, Hitachi (JP);
Toshikazu Maeshima, Hitachinaka (JP)
- (73) Assignee: **HITACHI AUTOMOTIVE SYSTEMS,**
LTD., Ibaraki (JP)

(**) Term: **14 Years**

(21) Appl. No.: **29/457,940**

(22) Filed: **Jun. 14, 2013**

(30) **Foreign Application Priority Data**

Feb. 7, 2013 (JP) 2013-002344

(51) **LOC (10) Cl.** **13-02**

(52) **U.S. Cl.**
USPC **D13/103**

(58) **Field of Classification Search**
USPC D13/102-106, 110, 119-121, 184;
429/96-100, 163, 176
CPC Y02E 60/12; Y02E 60/122; Y02E 60/124;
Y02E 60/50; H01M 2/02; H01M 2/022;
H01M 2/0202; H01M 2/0207; H01M 2/0212;
H01M 2/1061; H01M 2/1022; H01M 2/1055;
H01M 2/1066; H01M 2/105; H01M 2/204;
H01M 10/4257; H01M 10/0436; H01M 10/48

See application file for complete search history.

(56) **References Cited**

U.S. PATENT DOCUMENTS

D413,859 S *	9/1999	Ido et al.	D13/103
D623,127 S *	9/2010	Seyama et al.	D13/104
D635,508 S *	4/2011	Seyama et al.	D13/104
D657,309 S *	4/2012	Robinson et al.	D13/107
D657,739 S *	4/2012	Miyawaki et al.	D13/104
D658,579 S *	5/2012	Miyawaki et al.	D13/104
D685,726 S *	7/2013	Kaneshige	D13/103
D685,727 S *	7/2013	Ejiri et al.	D13/103
D685,728 S *	7/2013	Hoshi et al.	D13/103
D713,333 S *	9/2014	Komaki et al.	D13/104
D718,231 S *	11/2014	Burns et al.	D13/104
D718,232 S *	11/2014	Burns et al.	D13/104

FOREIGN PATENT DOCUMENTS

EM D001887340-0003 7/2011

* cited by examiner

Primary Examiner — Rosemary K Tarcza
(74) *Attorney, Agent, or Firm* — Baker Botts L.L.P.

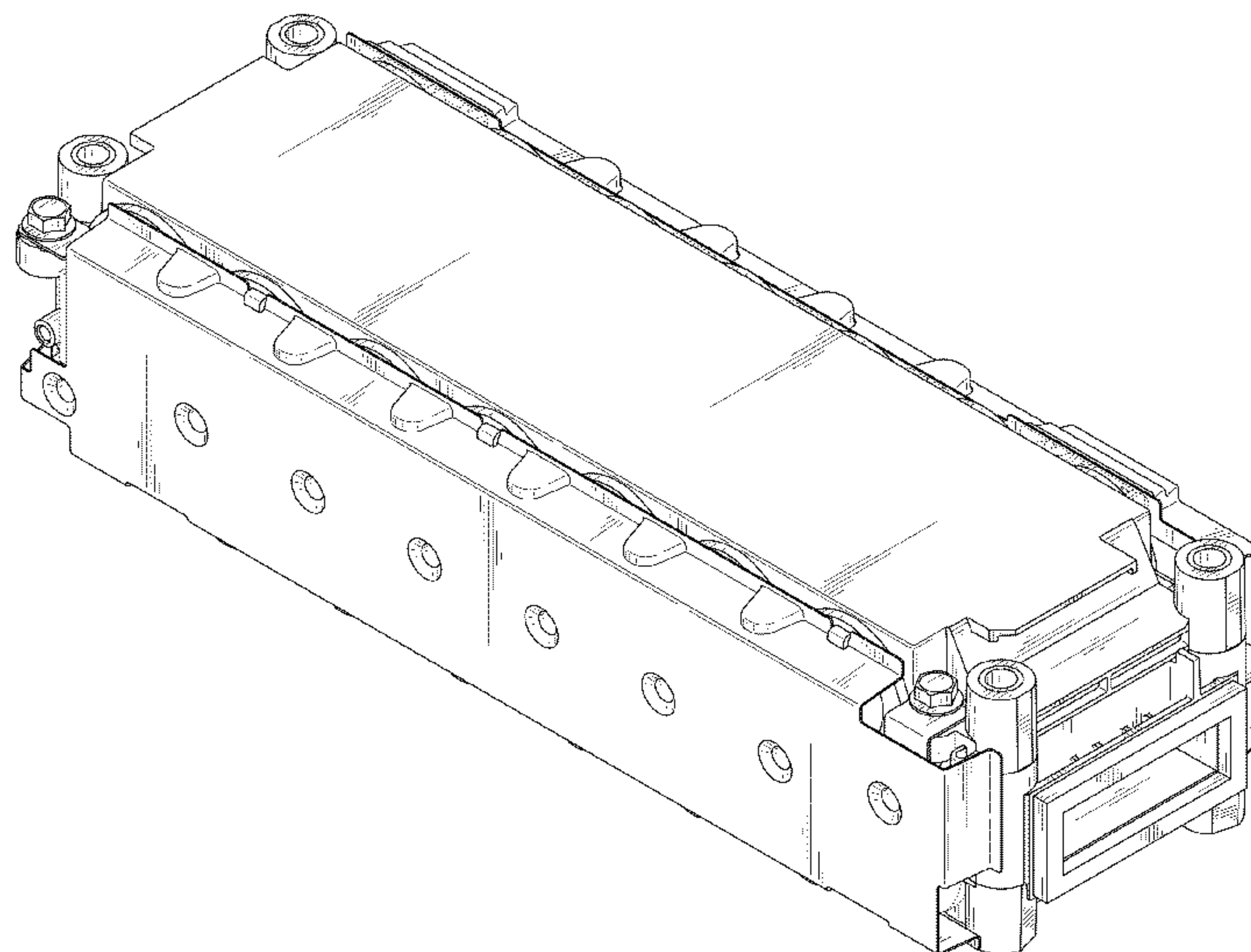
(57) **CLAIM**

The ornamental design for a battery module, as shown.

DESCRIPTION

FIG. 1 is a front, top and right side perspective view of a battery module showing our new design; FIG. 2 is a rear, bottom and left side perspective view thereof; FIG. 3 is a front elevational view thereof; FIG. 4 is a rear elevational view thereof; FIG. 5 is a left side elevational view thereof; FIG. 6 is a right side elevational view thereof; FIG. 7 is a top plan view thereof; and, FIG. 8 is a bottom plan view thereof. The broken lines in the drawings are for the purpose of illustrating environmental structure and form no part of the claimed design.

1 Claim, 6 Drawing Sheets



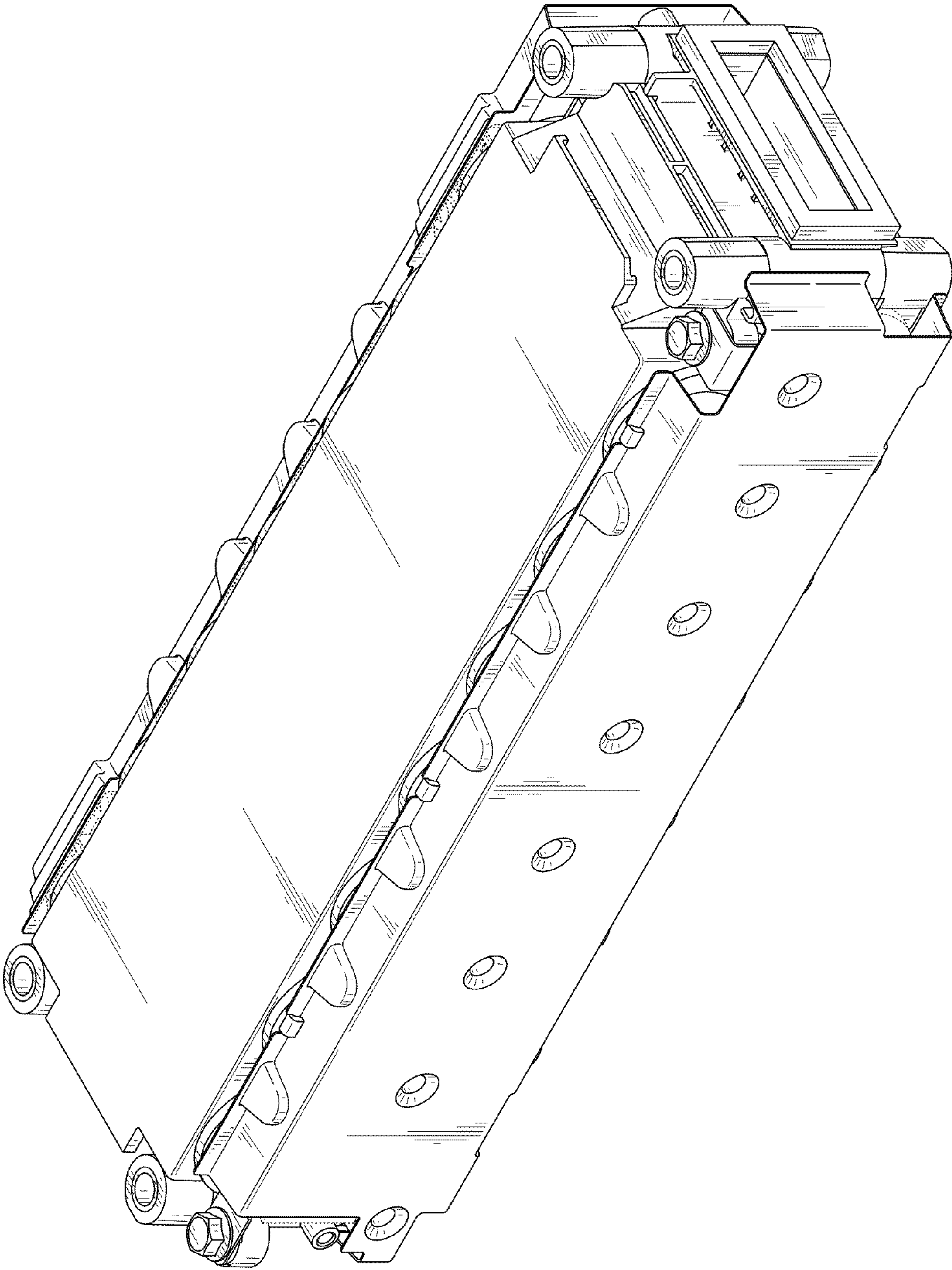


FIG. 1

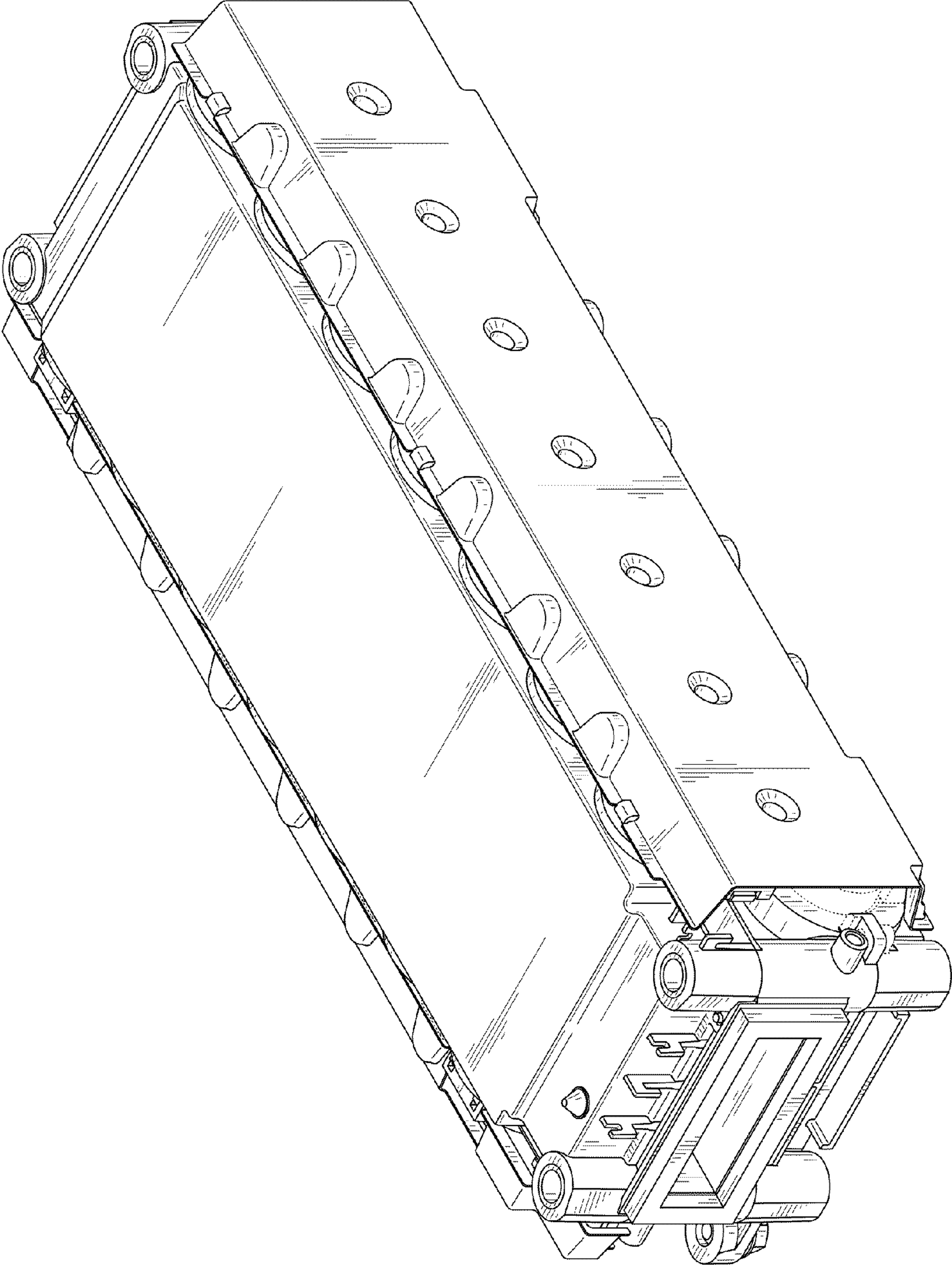


FIG. 2

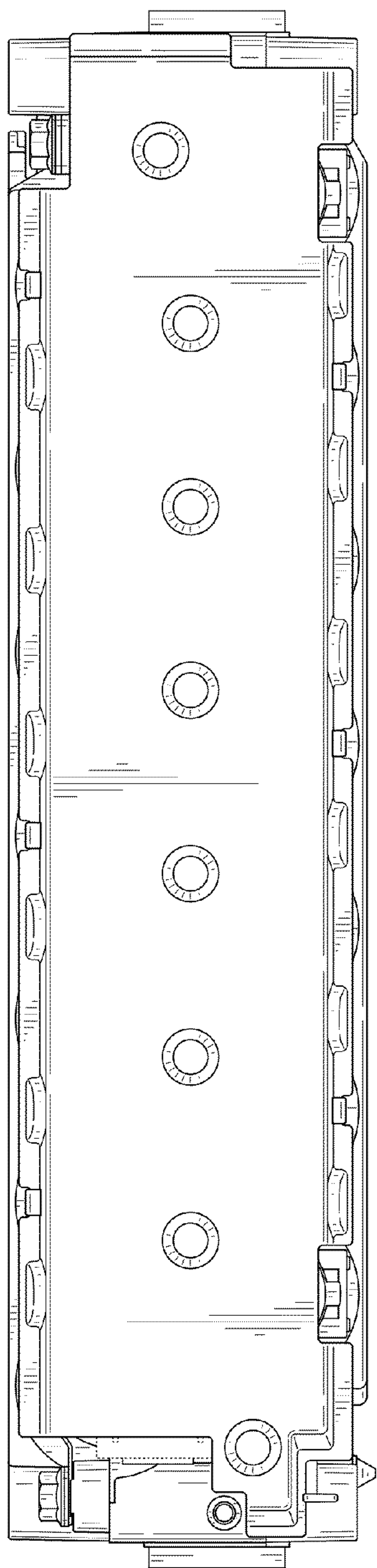


FIG. 3

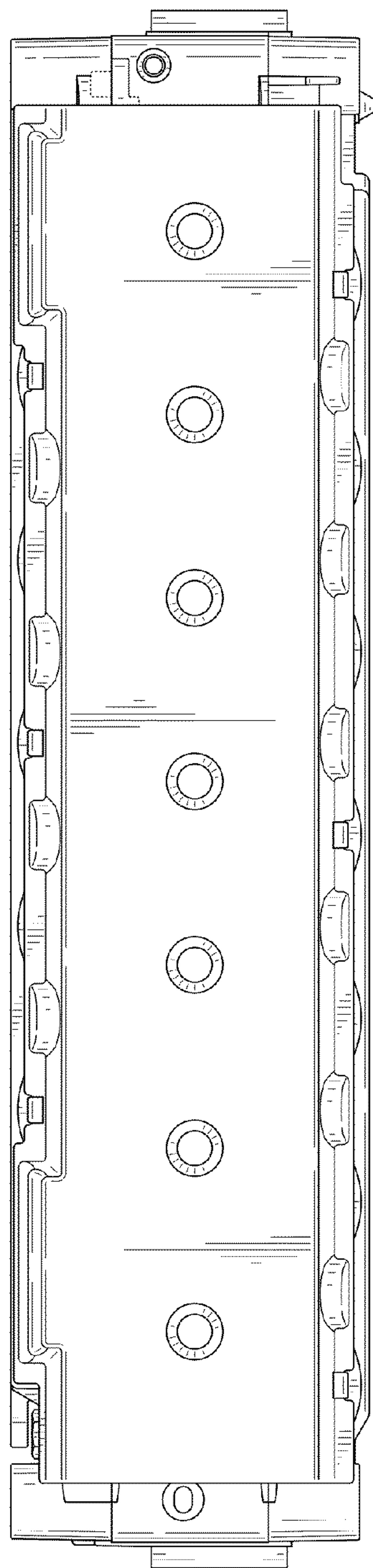


FIG. 4

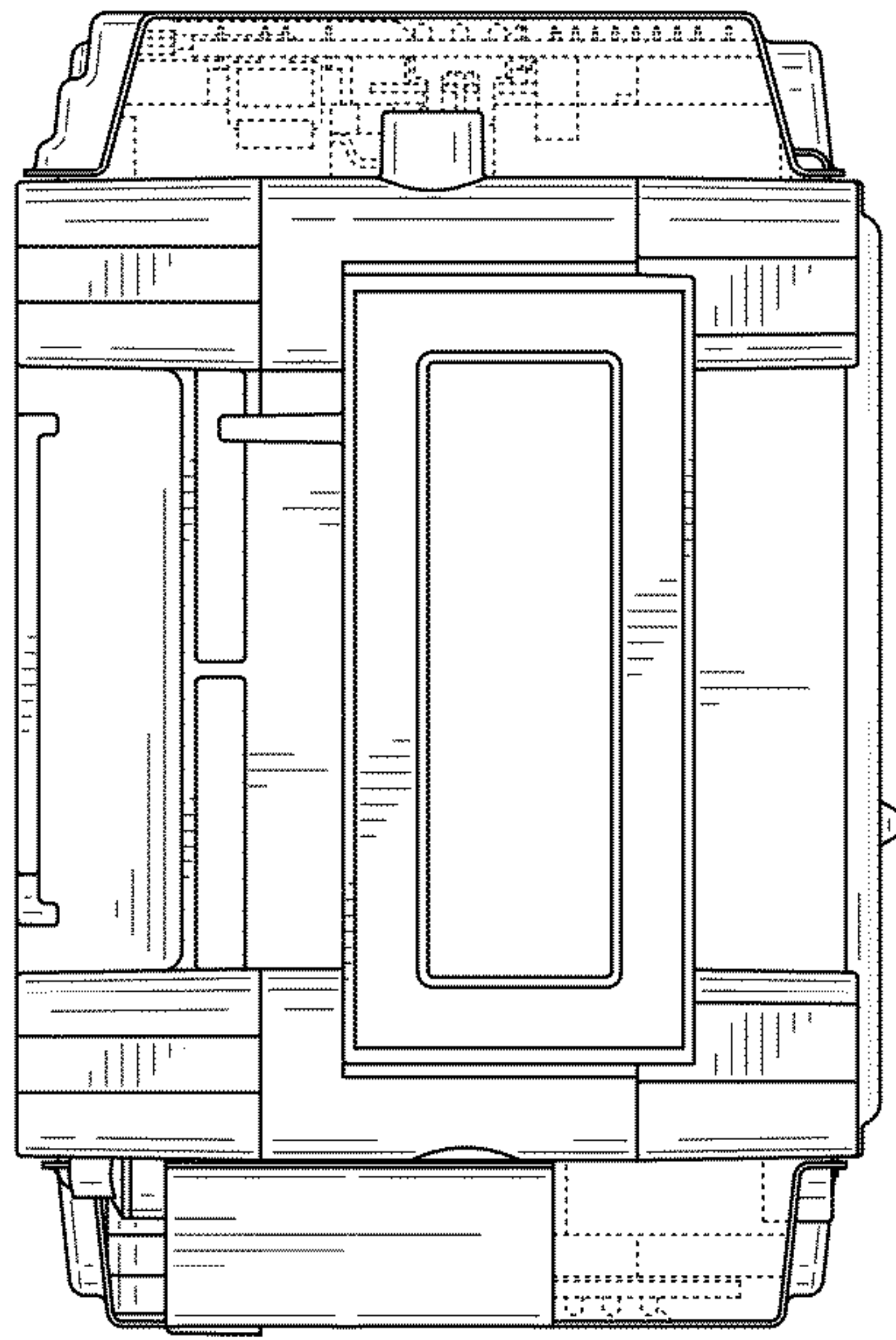


FIG. 6

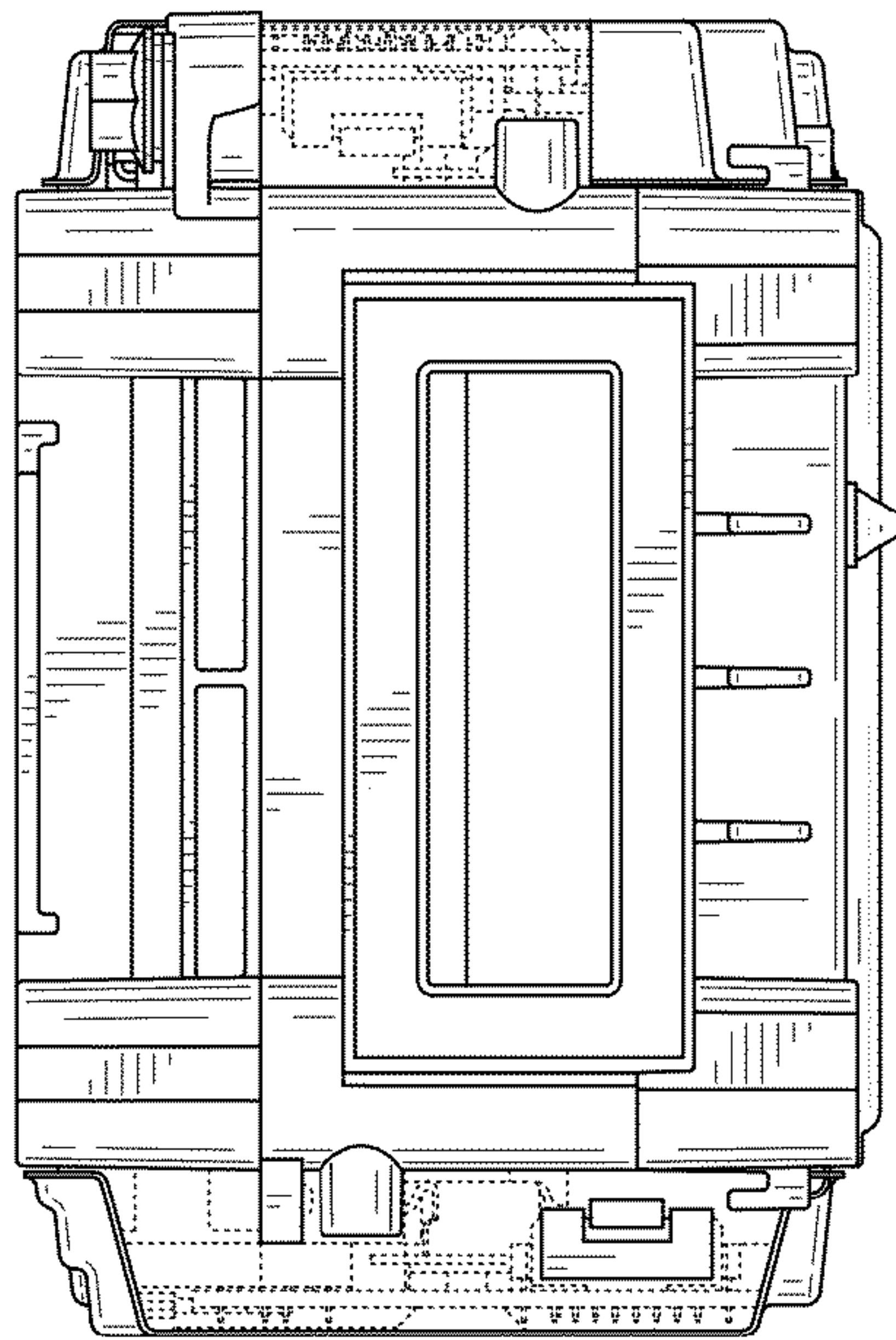


FIG. 5

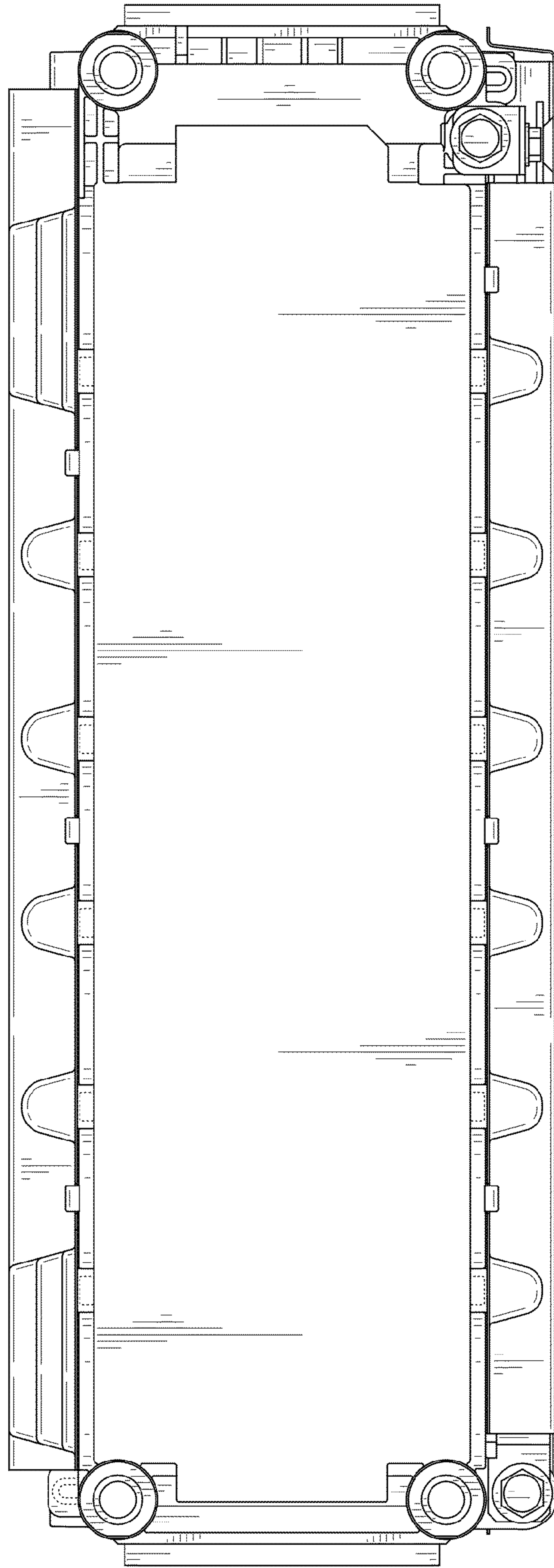


FIG. 7

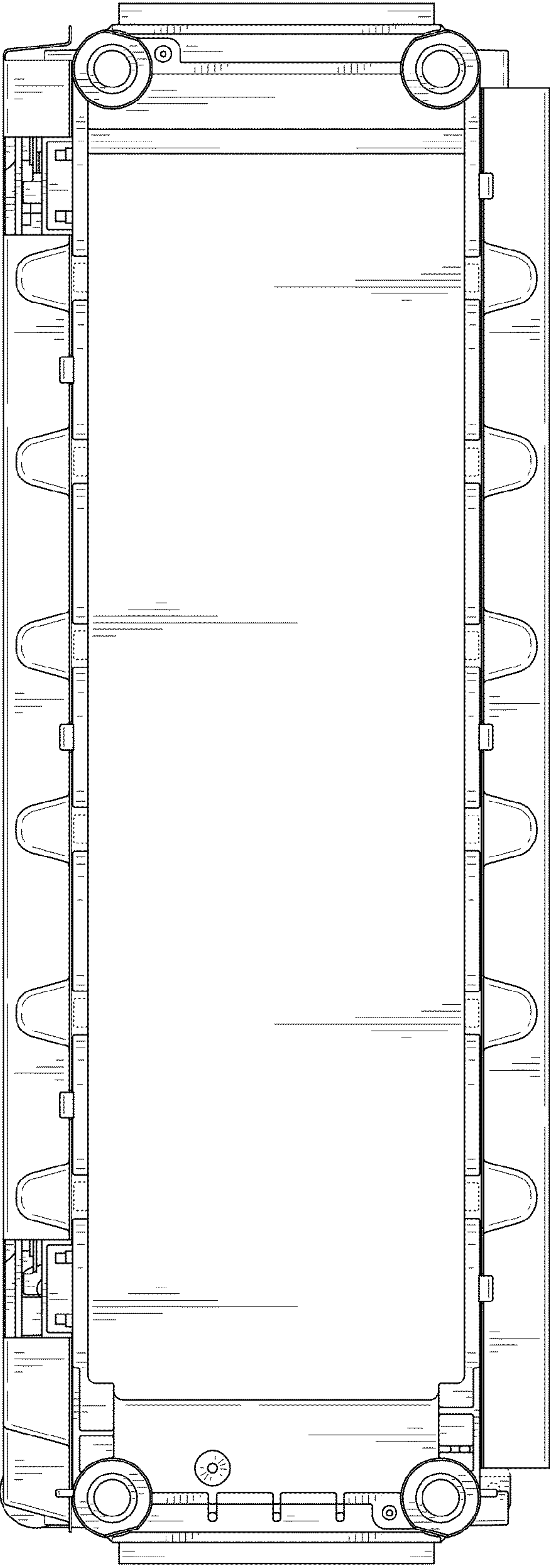


FIG. 8