



US00D750557S

(12) **United States Design Patent**  
**Yamachi et al.**

(10) **Patent No.:** **US D750,557 S**  
(45) **Date of Patent:** **\*\* Mar. 1, 2016**

(54) **BATTERY MODULE**

(56) **References Cited**

(71) Applicant: **Hitachi Automotive Systems, Ltd.**,  
Ibaraki (JP)  
(72) Inventors: **Nayuta Yamachi**, Hitachinaka (JP);  
**Hiroshi Hoshi**, Hitachi (JP); **Akira**  
**Kotaki**, Kasama (JP); **Toshiyuki**  
**Yoshida**, Mito (JP); **Tsunemi Aiba**,  
Kiryu (JP)  
(73) Assignee: **HITACHI AUTOMOTIVE SYSTEMS,**  
**LTD.**, Ibaraki (JP)

U.S. PATENT DOCUMENTS

D413,859	S	*	9/1999	Ido	.....	D13/103
D432,493	S	*	10/2000	Killebrew	.....	D13/103
D623,127	S	*	9/2010	Seyama	.....	D13/104
D635,508	S	*	4/2011	Seyama	.....	D13/104
D655,673	S	*	3/2012	Masui	.....	D13/103
D657,739	S	*	4/2012	Miyawaki	.....	D13/104
D658,579	S	*	5/2012	Miyawaki	.....	D13/104
D684,956	S	*	6/2013	Deck	.....	D13/110
D685,354	S	*	7/2013	Deck	.....	D13/110
D685,726	S	*	7/2013	Kaneshige	.....	D13/103
D685,727	S	*	7/2013	Ejiri	.....	D13/103
D685,728	S	*	7/2013	Hoshi	.....	D13/103
D713,333	S	*	9/2014	Komaki	.....	D13/104
2008/0124625	A1	*	5/2008	Hock	.....	H01M 2/0207 429/176
2012/0208061	A1	*	8/2012	Sahu	.....	H01M 8/0284 429/105

(\*\*) Term: **14 Years**

(21) Appl. No.: **29/457,937**

(22) Filed: **Jun. 14, 2013**

(30) **Foreign Application Priority Data**

Feb. 7, 2013 (JP) ..... 2013-002343

(51) **LOC (10) Cl.** ..... **13-02**

(52) **U.S. Cl.**  
USPC ..... **D13/103**

(58) **Field of Classification Search**  
USPC ..... D13/102-106, 110, 119-121, 184;  
429/96-100, 163, 176  
CPC ..... Y02E 60/12; Y02E 60/122; Y02E 60/124;  
Y02E 60/50; H01M 2/02; H01M 2/022;  
H01M 2/0202; H01M 2/0207; H01M 2/0212;  
H01M 2/1061; H01M 2/1022; H01M 2/1055;  
H01M 2/1066; H01M 2/105; H01M 2/204;  
H01M 10/4257; H01M 10/0436; H01M 10/48

See application file for complete search history.

\* cited by examiner

*Primary Examiner* — Rosemary K Tarcza  
(74) *Attorney, Agent, or Firm* — Baker Botts L.L.P.

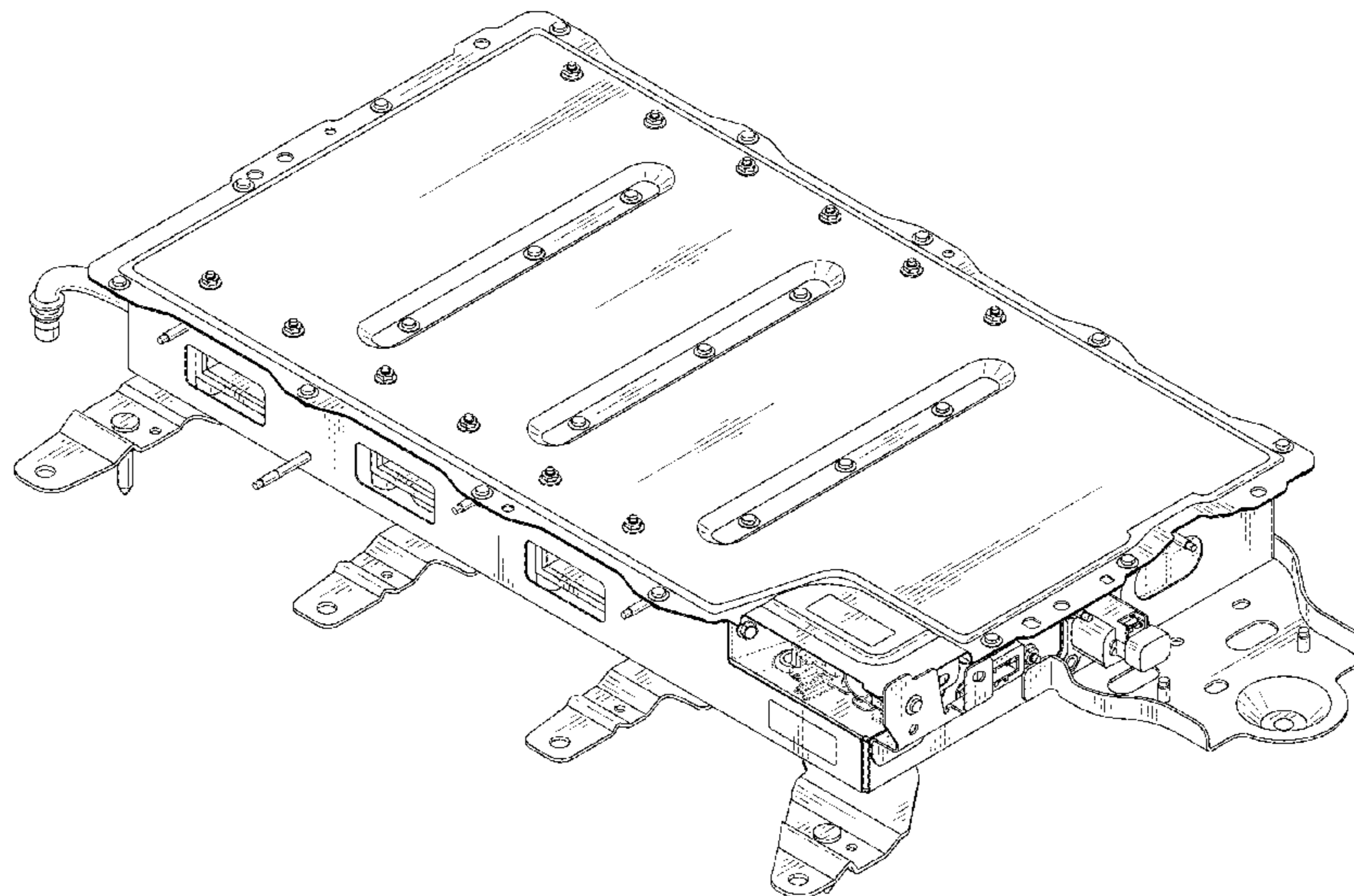
(57) **CLAIM**

We claim the ornamental design for a battery module, as shown.

**DESCRIPTION**

FIG. 1 is a front, top and right side perspective view of a battery module showing our new design; FIG. 2 is a rear, bottom and left side perspective view thereof; FIG. 3 is a front elevational view thereof; FIG. 4 is a rear elevational view thereof; FIG. 5 is a left side elevational view thereof; FIG. 6 is a right side elevational view thereof; FIG. 7 is a top plan view thereof; and, FIG. 8 is a bottom plan view thereof. The broken lines in the drawings illustrate environmental structure only and form no part of the claimed design.

**1 Claim, 6 Drawing Sheets**



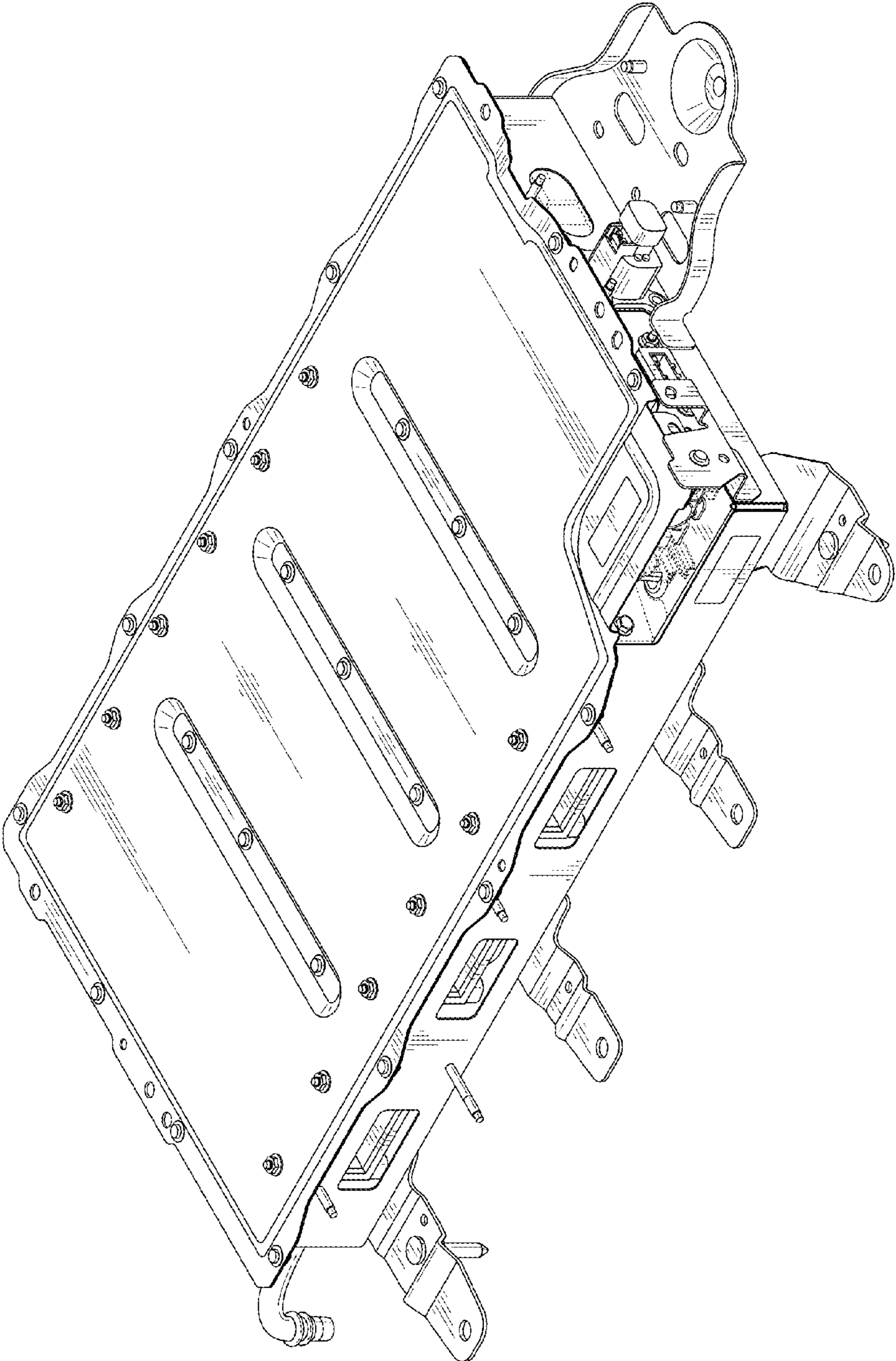


FIG. 1

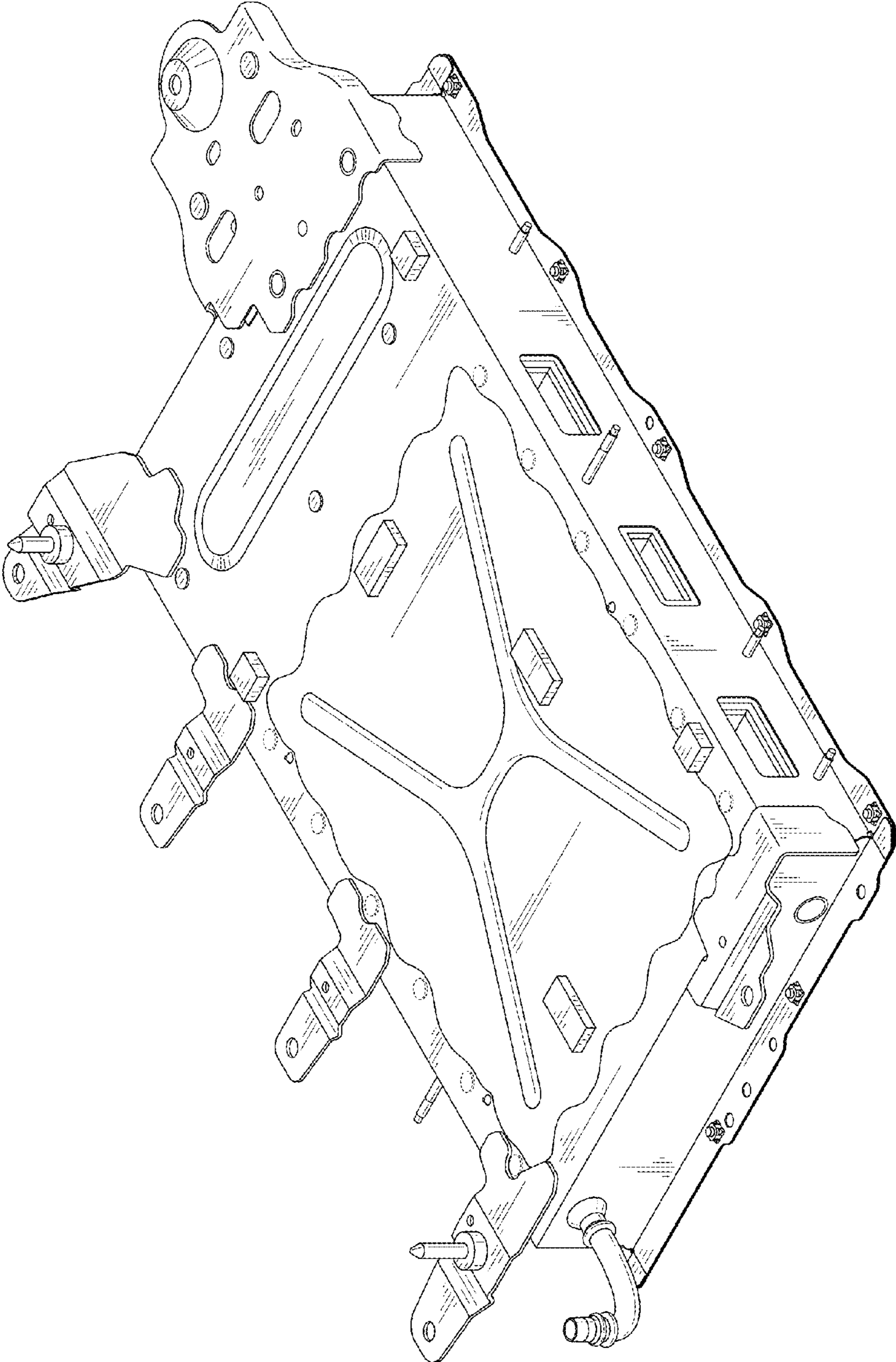


FIG. 2

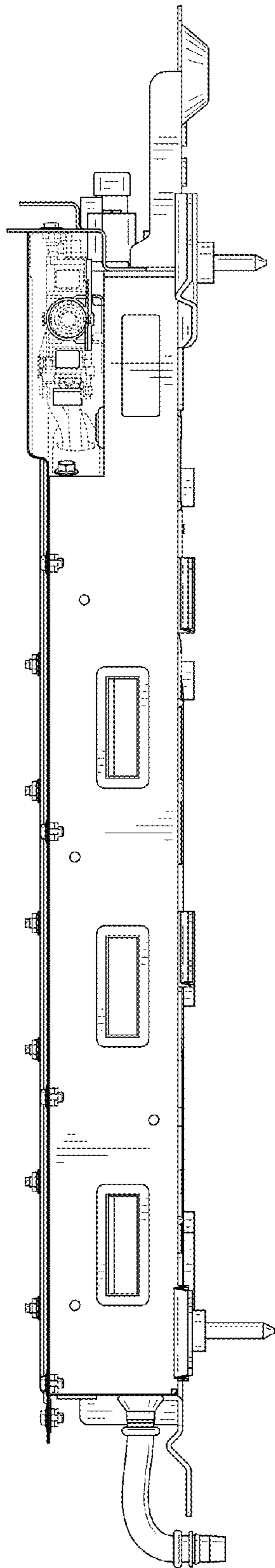


FIG. 3

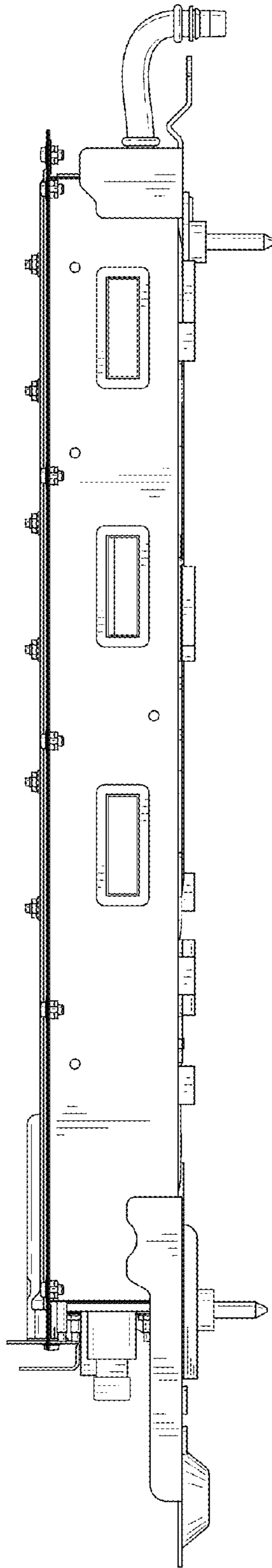


FIG. 4

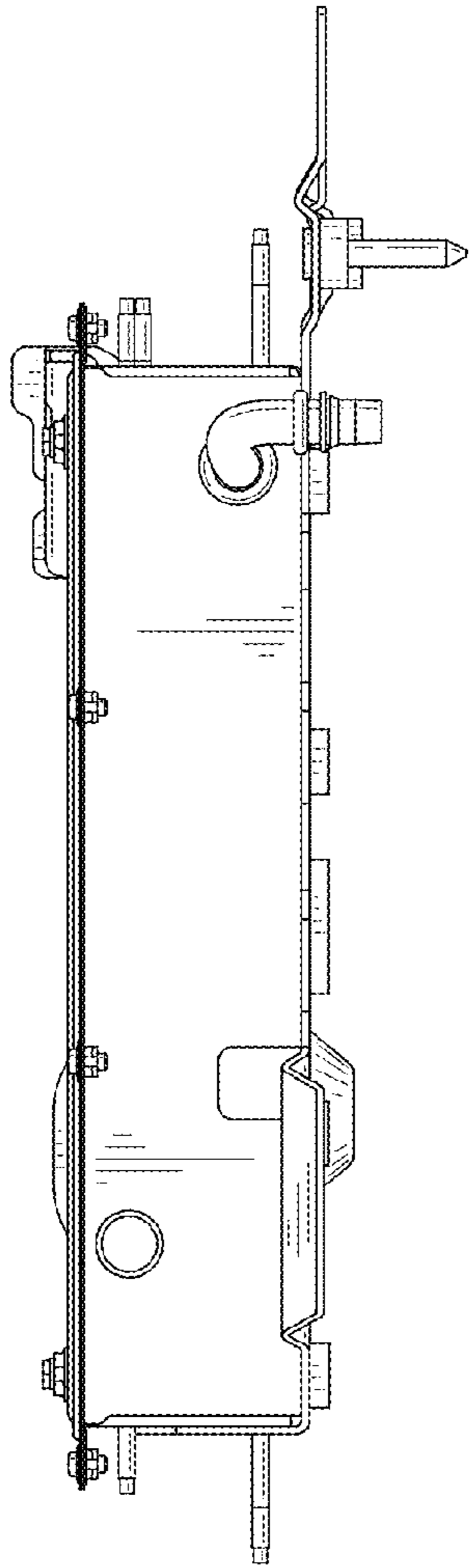


FIG. 5

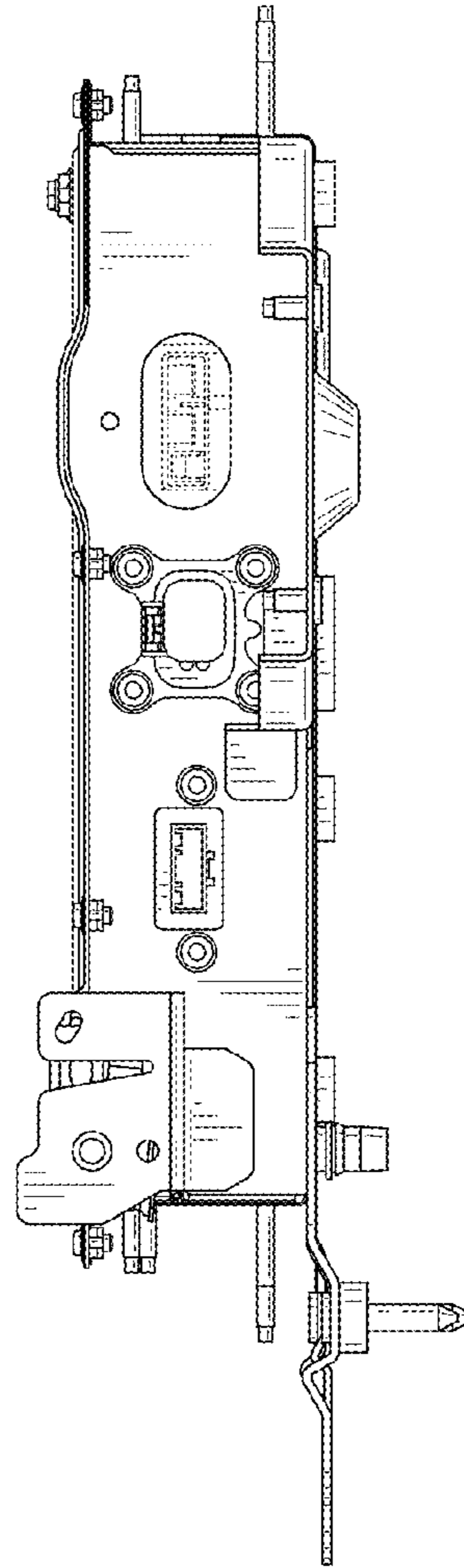


FIG. 6

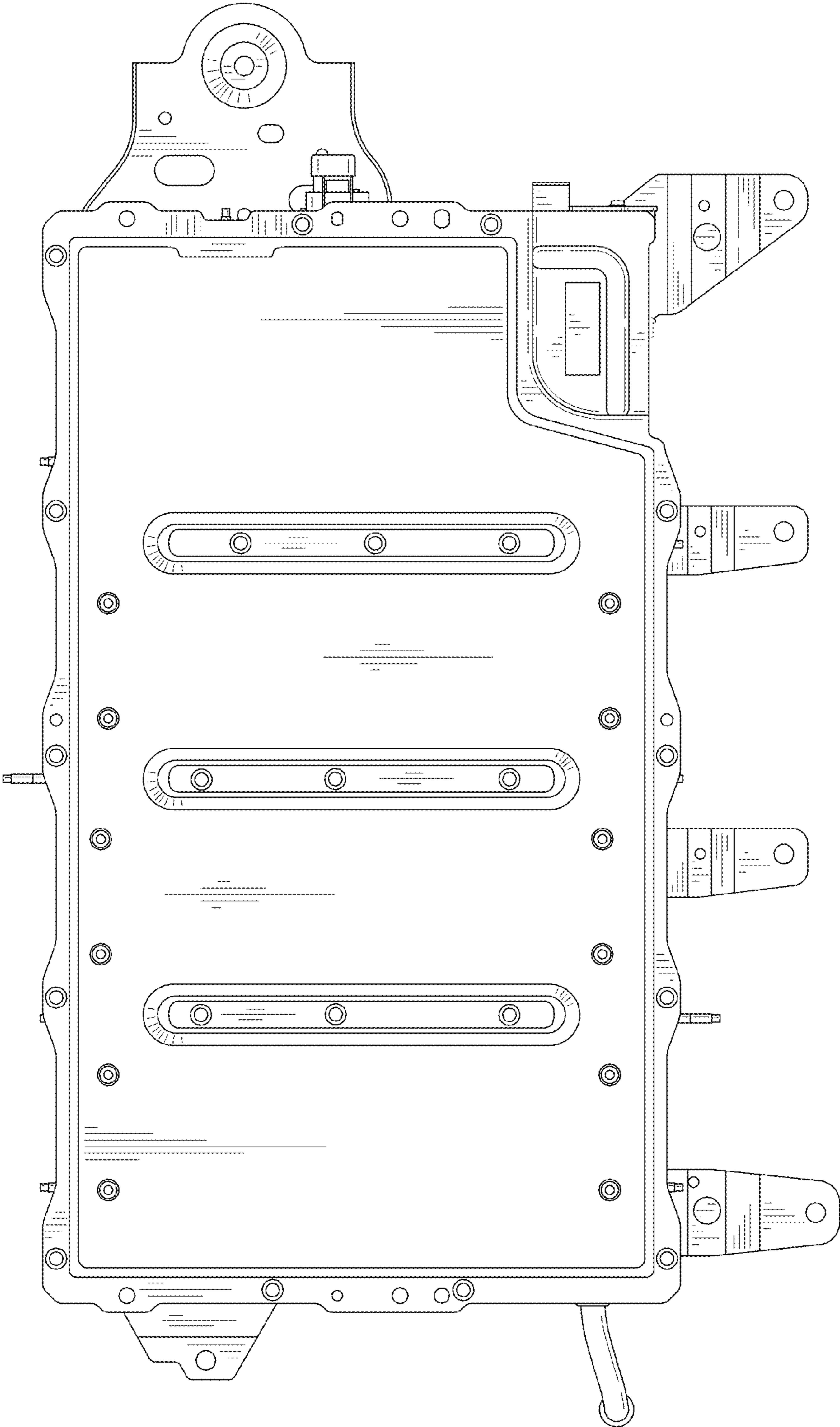


FIG. 7

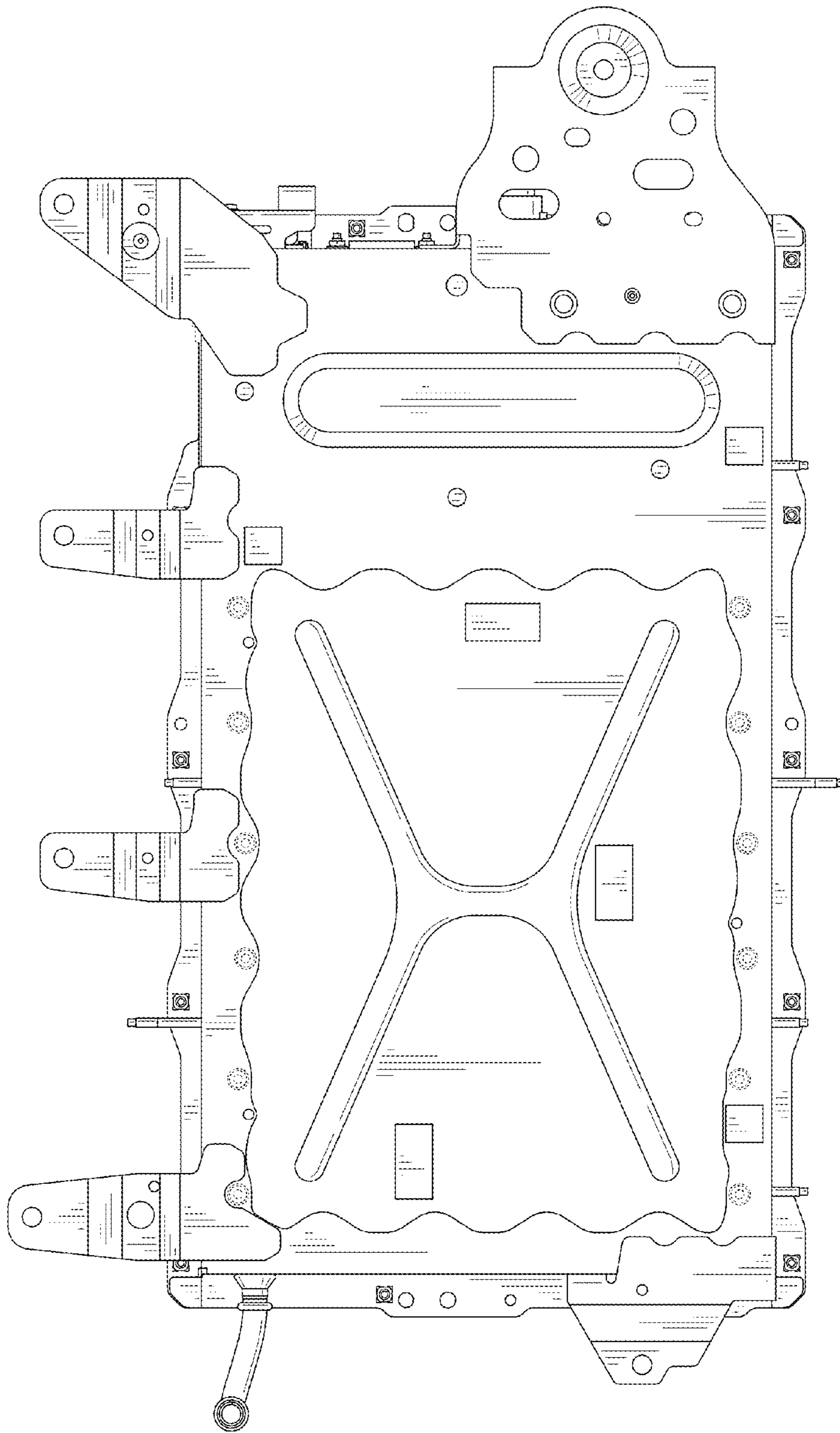


FIG. 8