

US00D750541S

(12) **United States Design Patent**  
**Stopka**

(10) **Patent No.:** **US D750,541 S**  
(45) **Date of Patent:** **\*\* Mar. 1, 2016**

(54) **SPOILER FOR A MOTOR VEHICLE**

(56) **References Cited**

(71) Applicant: **Dr. Ing. h.c. F. Porsche**  
**Aktiengesellschaft, Stuttgart (DE)**

(72) Inventor: **Thomas Stopka, Stuttgart (DE)**

(73) Assignee: **Dr. Ing. h.c. F. Porsche**  
**Aktiengesellschaft (DE)**

(\*\*) Term: **14 Years**

(21) Appl. No.: **29/479,548**

(22) Filed: **Jan. 17, 2014**

(30) **Foreign Application Priority Data**

Jul. 19, 2013 (DE) ..... 40 2013 100 707

(51) **LOC (10) Cl.** ..... **12-08**

(52) **U.S. Cl.**  
USPC ..... **D12/181**

(58) **Field of Classification Search**  
USPC ..... D12/181, 191, 196, 400, 190, 88;  
280/727, 770, 848; 296/180.1-180.5,  
296/91; 180/903  
CPC ..... B60R 13/02; B60R 13/04  
See application file for complete search history.

U.S. PATENT DOCUMENTS

3,083,630	A *	4/1963	Thaxton	.....	454/128
4,368,605	A *	1/1983	Ulrich	.....	52/473
D295,278	S *	4/1988	Smith	.....	D12/196
5,207,258	A *	5/1993	Lennard	.....	160/130
D372,894	S *	8/1996	Bernal et al.	.....	D12/196
D375,068	S *	10/1996	Lund	.....	D12/183
D551,141	S *	9/2007	Canitano	.....	D12/183

\* cited by examiner

*Primary Examiner* — Katrina A Betton

(74) *Attorney, Agent, or Firm* — Gerald E. Hespos; Michael J. Porco; Matthew T. Hespos

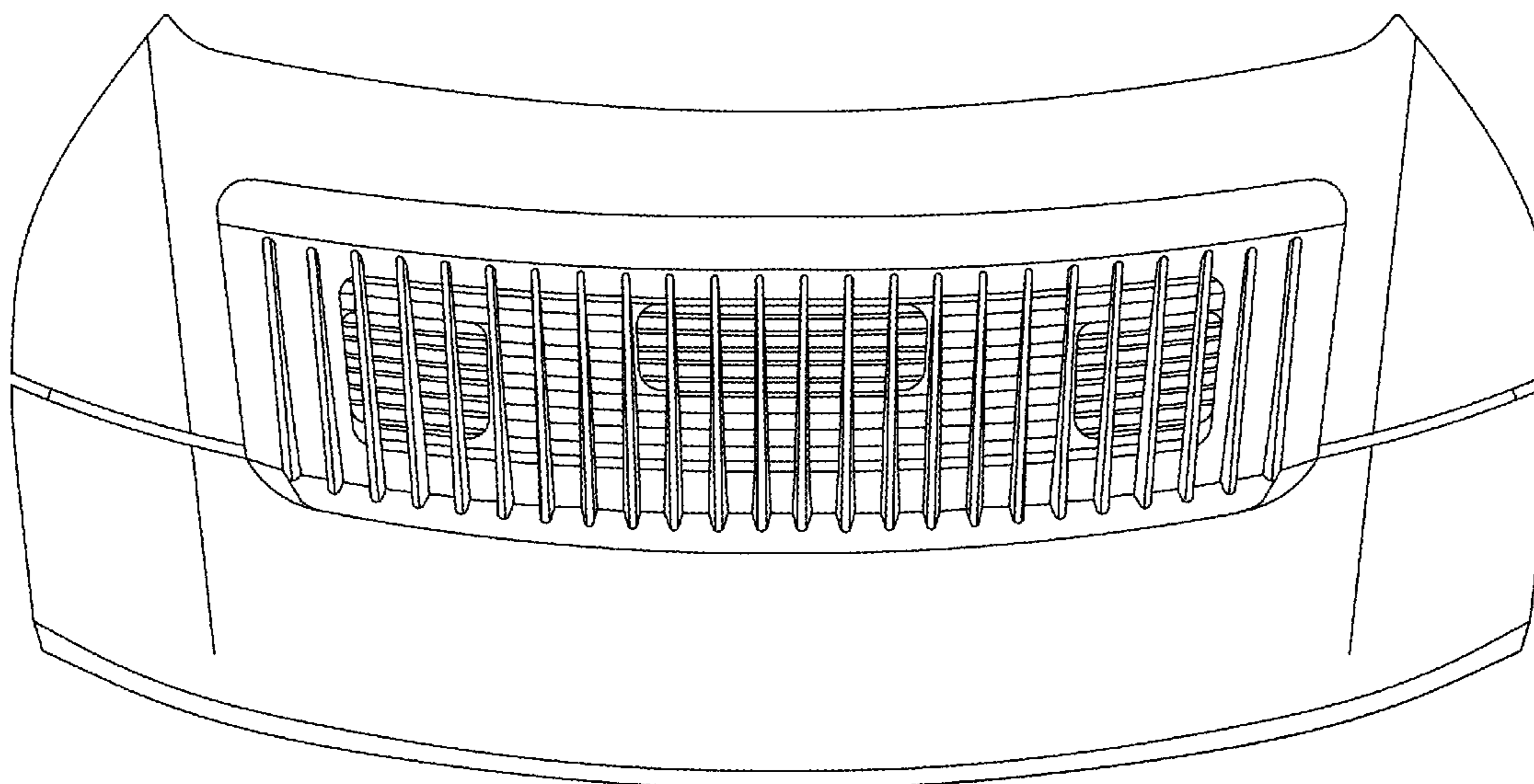
(57) **CLAIM**

The ornamental design of a spoiler for a motor vehicle, as shown and described.

**DESCRIPTION**

FIG. 1 is a perspective view of a spoiler for a motor vehicle in accordance with my design;  
FIG. 2 is a front elevational view of the spoiler for a motor vehicle of FIG. 1;  
FIG. 3 is a top plan view thereof;  
FIG. 4 is a right side elevation view;  
FIG. 5 is a left side elevation view;  
FIG. 6 is a rear elevational view thereof; and,  
FIG. 7 is a bottom plan view of thereof.  
The broken lines are for illustration purposes only and form no part of the claimed design.

**1 Claim, 6 Drawing Sheets**



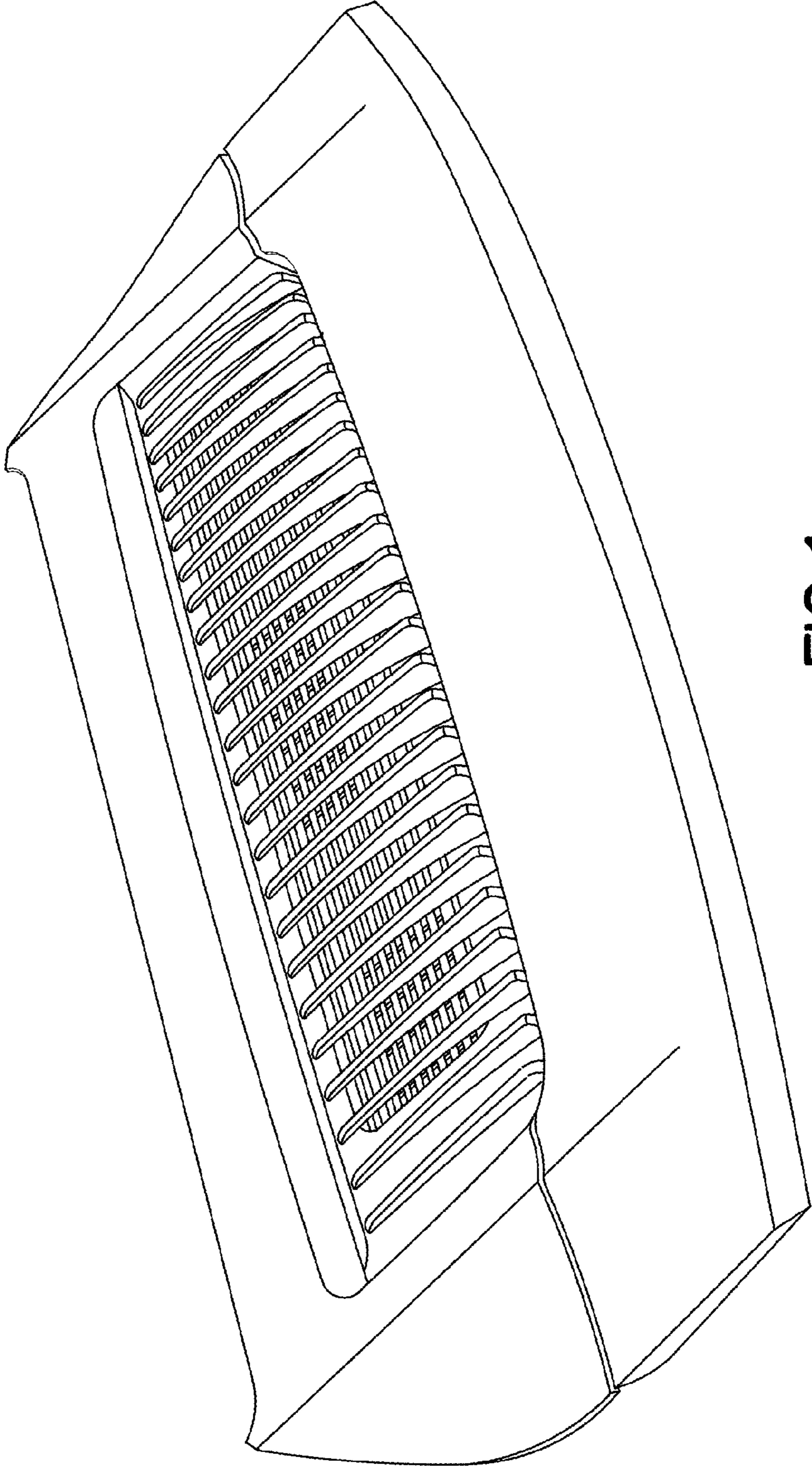


FIG.1

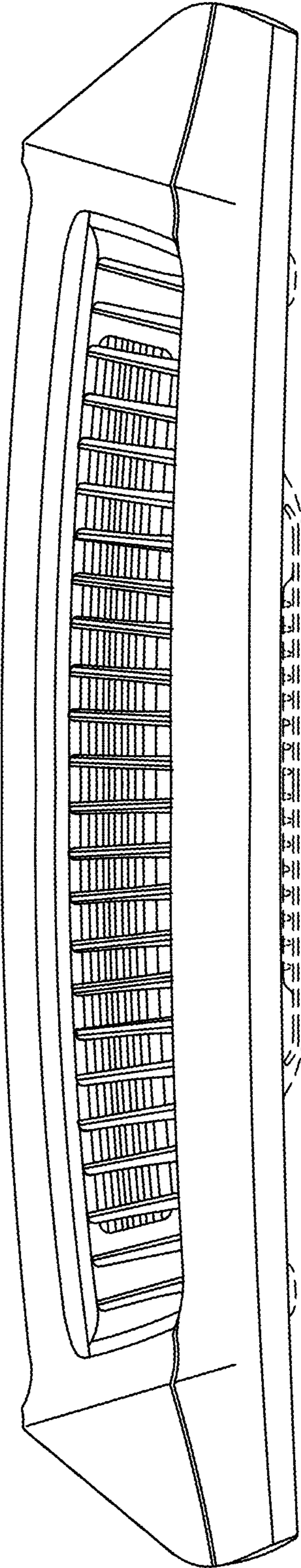


FIG.2



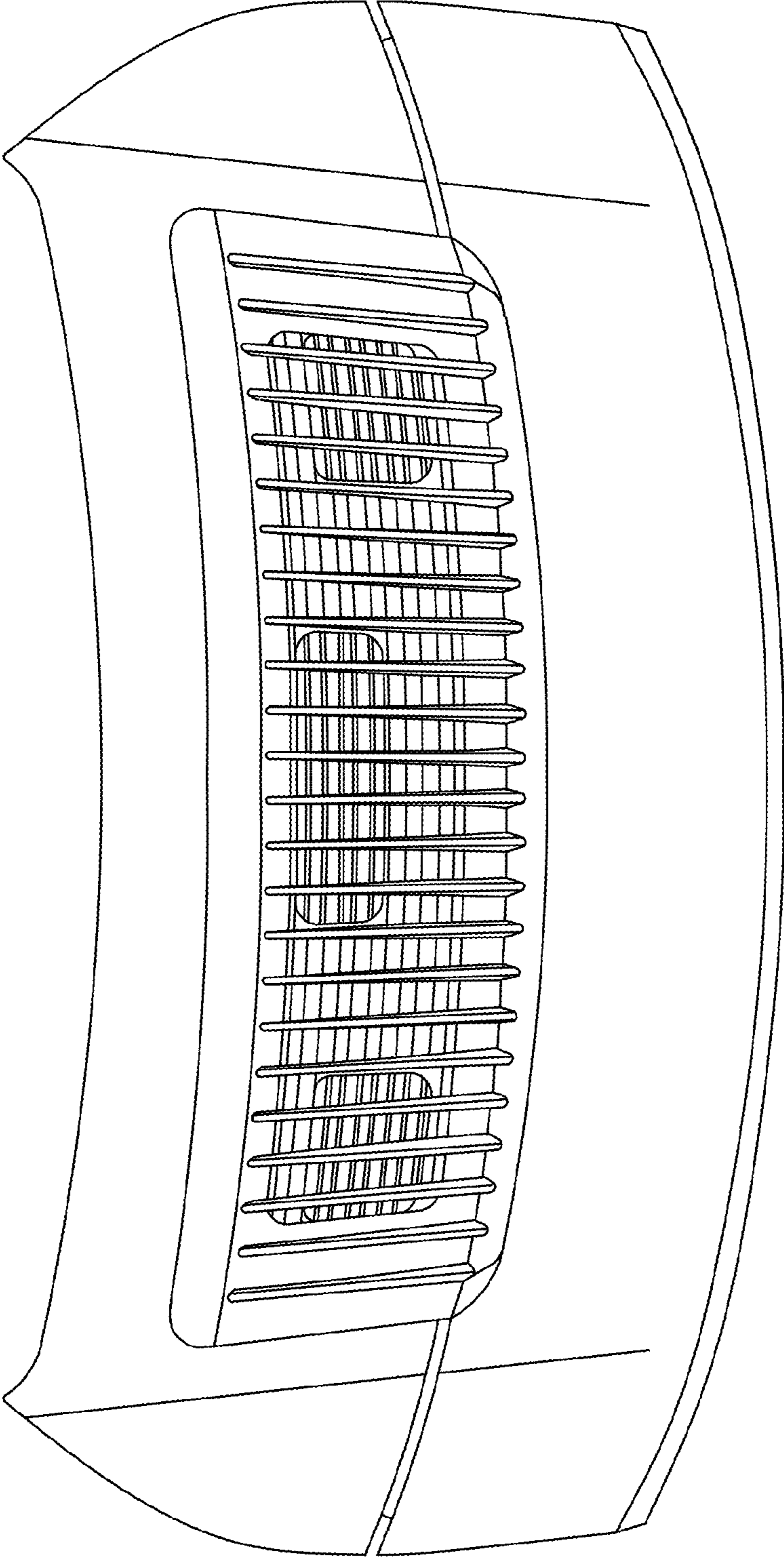


FIG.3

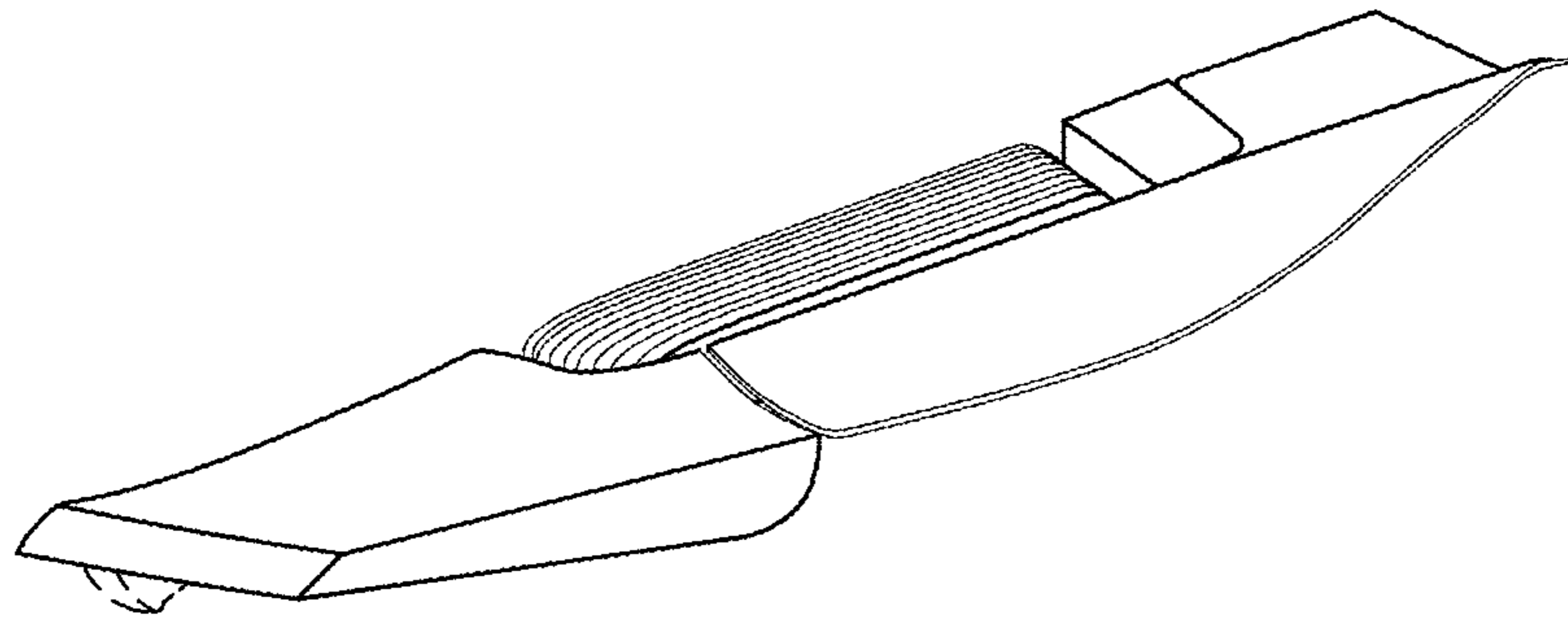


FIG. 4

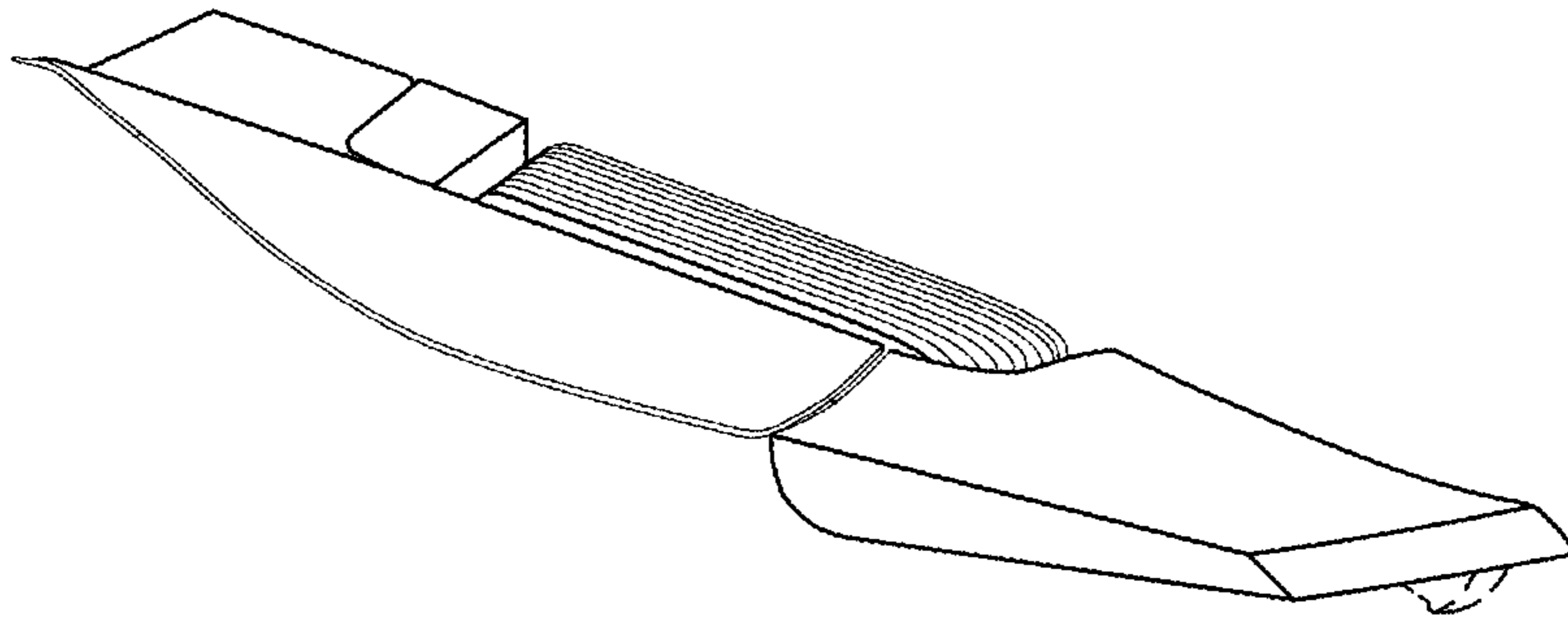


FIG. 5

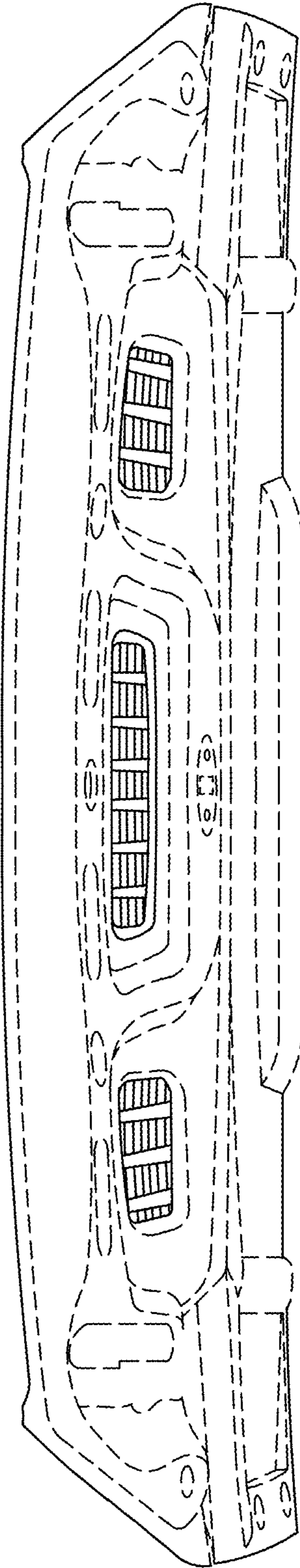


FIG. 6

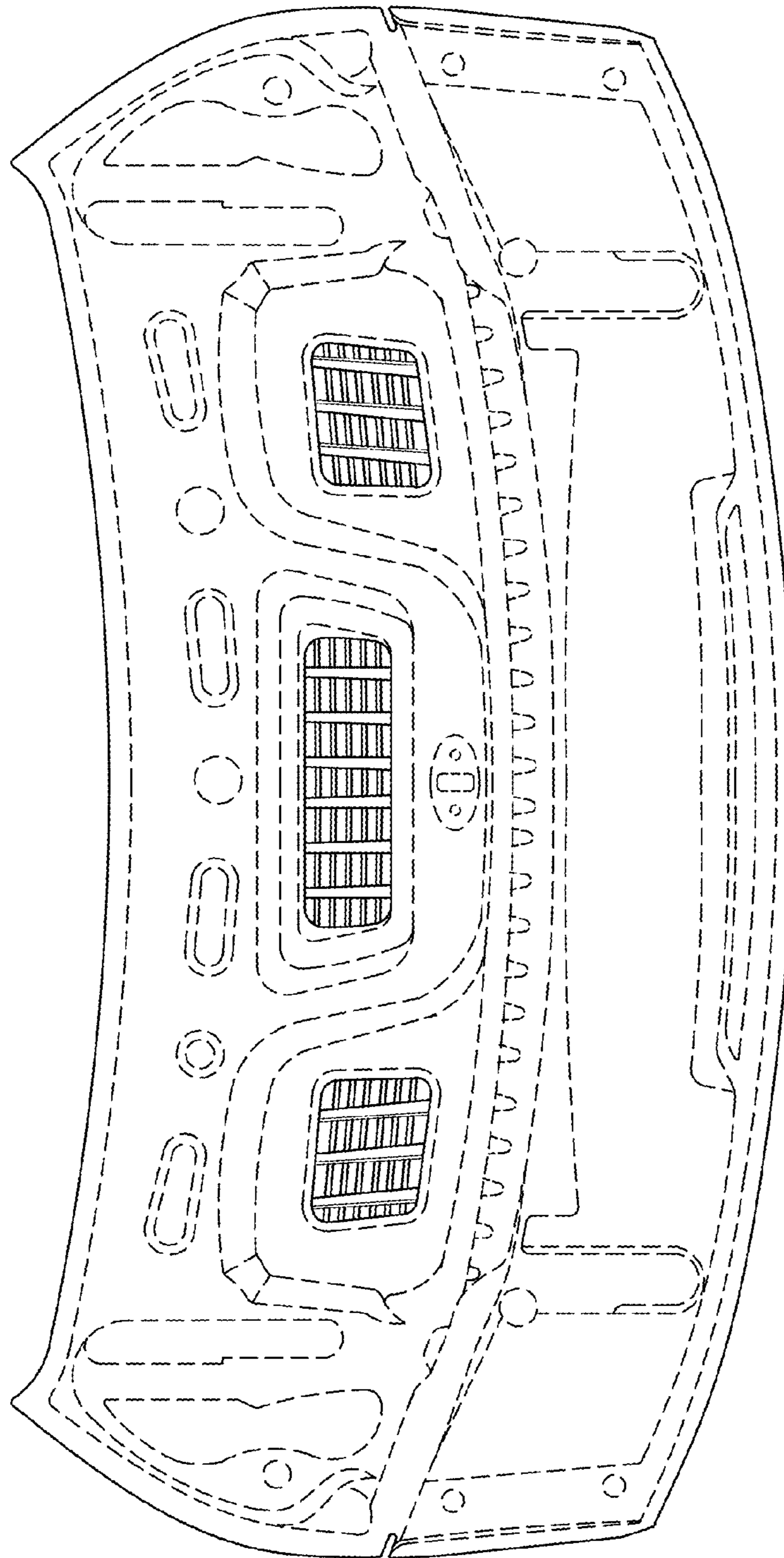


FIG.7