



US00D750539S

(12) **United States Design Patent**
Iwauchi et al.

(10) **Patent No.:** **US D750,539 S**
(45) **Date of Patent:** **** Mar. 1, 2016**

- (54) **BUMPER FOR MOTOR VEHICLE**
- (71) Applicant: **MAZDA MOTOR CORPORATION**,
Hiroshima (JP)
- (72) Inventors: **Yoshito Iwauchi**, Hiroshima (JP);
Hiroto Arai, Hiroshima (JP); **Hiroaki Tojo**,
Hiroshima (JP); **Kazuya Hamada**,
Hiroshima (JP)
- (73) Assignee: **Mazda Motor Corporation**, Hiroshima
(JP)
- (**) Term: **14 Years**
- (21) Appl. No.: **29/510,527**
- (22) Filed: **Nov. 30, 2014**
- (30) **Foreign Application Priority Data**
May 30, 2014 (JP) D2014-011579
- (51) **LOC (10) Cl.** **12-16**
- (52) **U.S. Cl.**
USPC **D12/169**
- (58) **Field of Classification Search**
USPC D12/169, 216, 90-92, 86, 171, 196,
D12/163; 293/102, 113, 115, 117, 120;
296/180.1, 180.2
CPC . B60R 19/52; B60R 2019/25; B62D 25/0845
See application file for complete search history.

- (56) **References Cited**
U.S. PATENT DOCUMENTS
D668,188 S * 10/2012 Shudo D12/169
D698,290 S * 1/2014 Mori D12/169
D703,592 S * 4/2014 Kwon D12/169
D714,196 S * 9/2014 Mays D12/169
D715,708 S * 10/2014 Mays D12/169
D718,678 S * 12/2014 Ishizuka D12/169
D740,728 S * 10/2015 Gunnarson D12/169

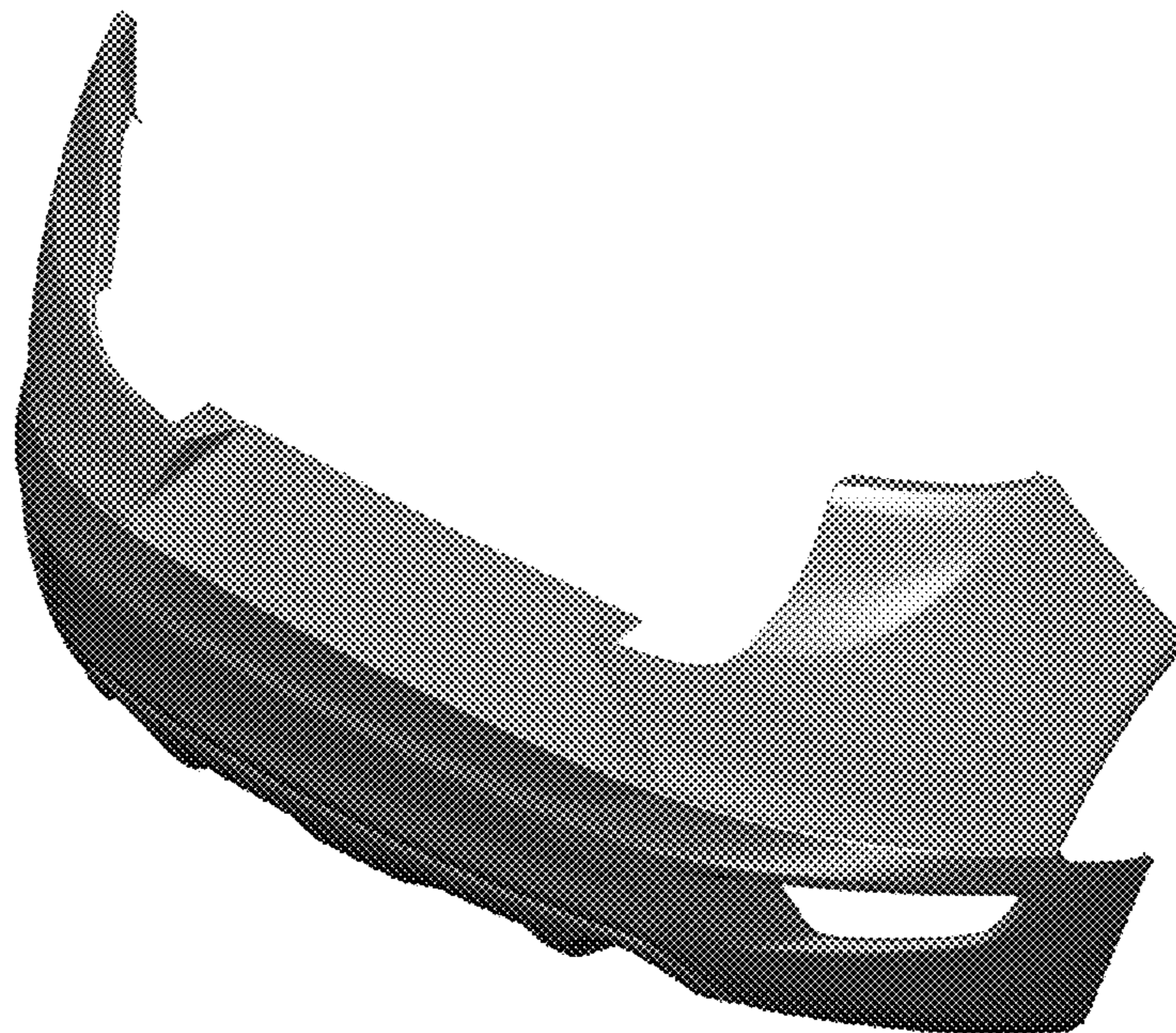
- FOREIGN PATENT DOCUMENTS
CN 302278725 S 1/2013
CN 302278726 S 1/2013
* cited by examiner

Primary Examiner — Melody N Brown
(74) *Attorney, Agent, or Firm* — Studebaker & Brackett PC

(57) **CLAIM**
The ornamental design for a bumper for motor vehicle, as shown and described.

DESCRIPTION
FIG. 1 is a perspective view of a bumper for motor vehicle;
FIG. 2 is a front view thereof;
FIG. 3 is a rear view thereof;
FIG. 4 is a left side view thereof;
FIG. 5 is a right side view thereof;
FIG. 6 is a top view thereof; and,
FIG. 7 is a bottom view thereof.

1 Claim, 4 Drawing Sheets



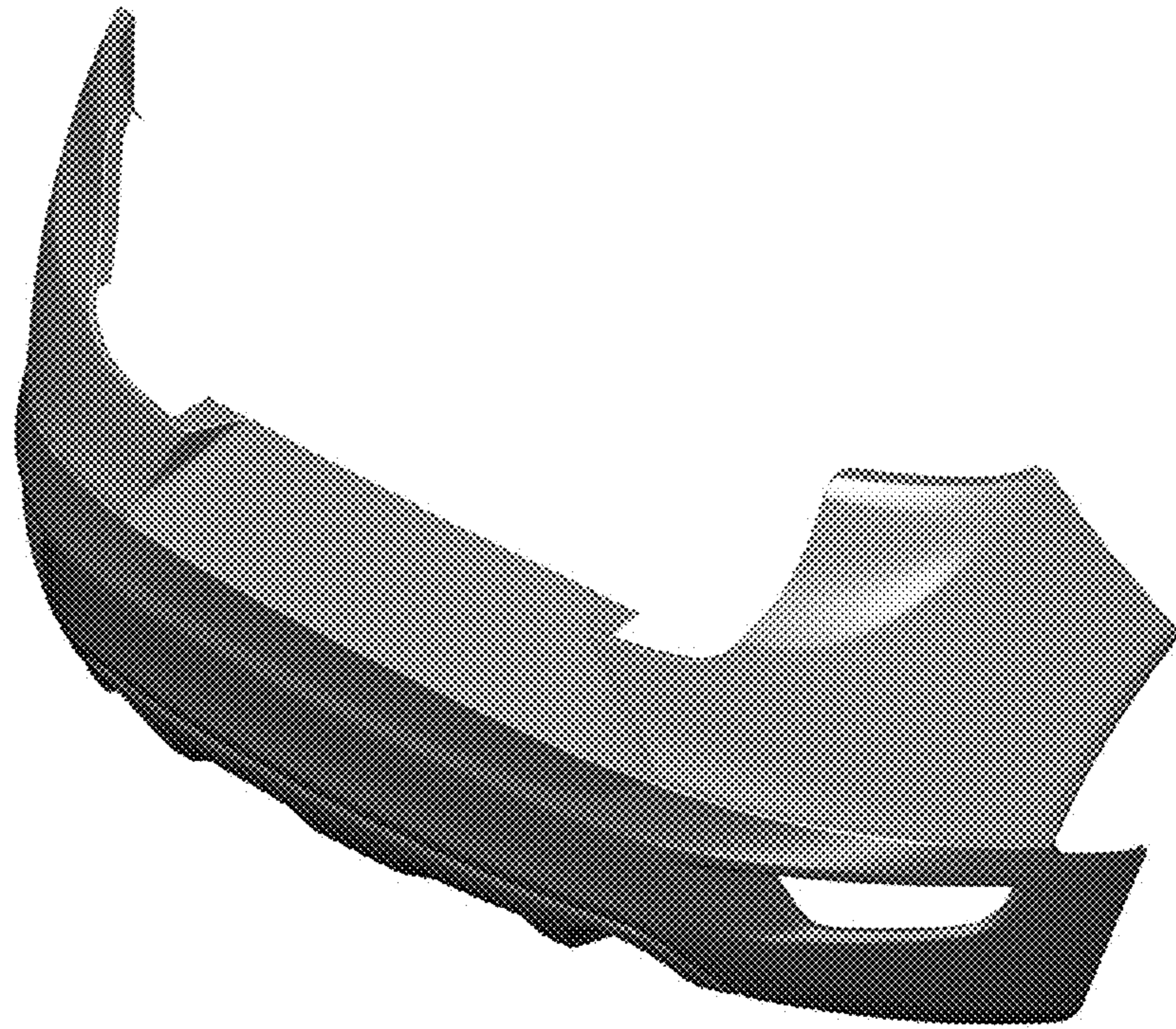


FIG.1

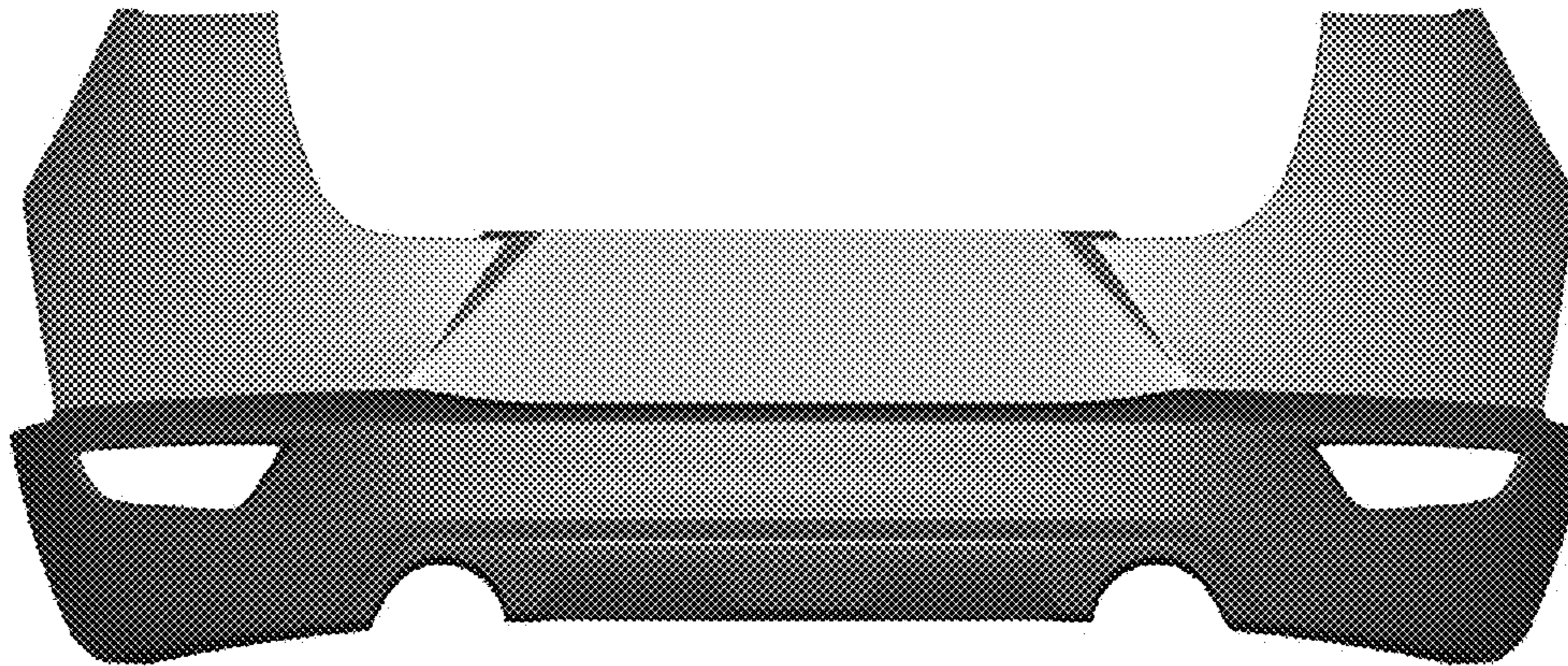


FIG. 2

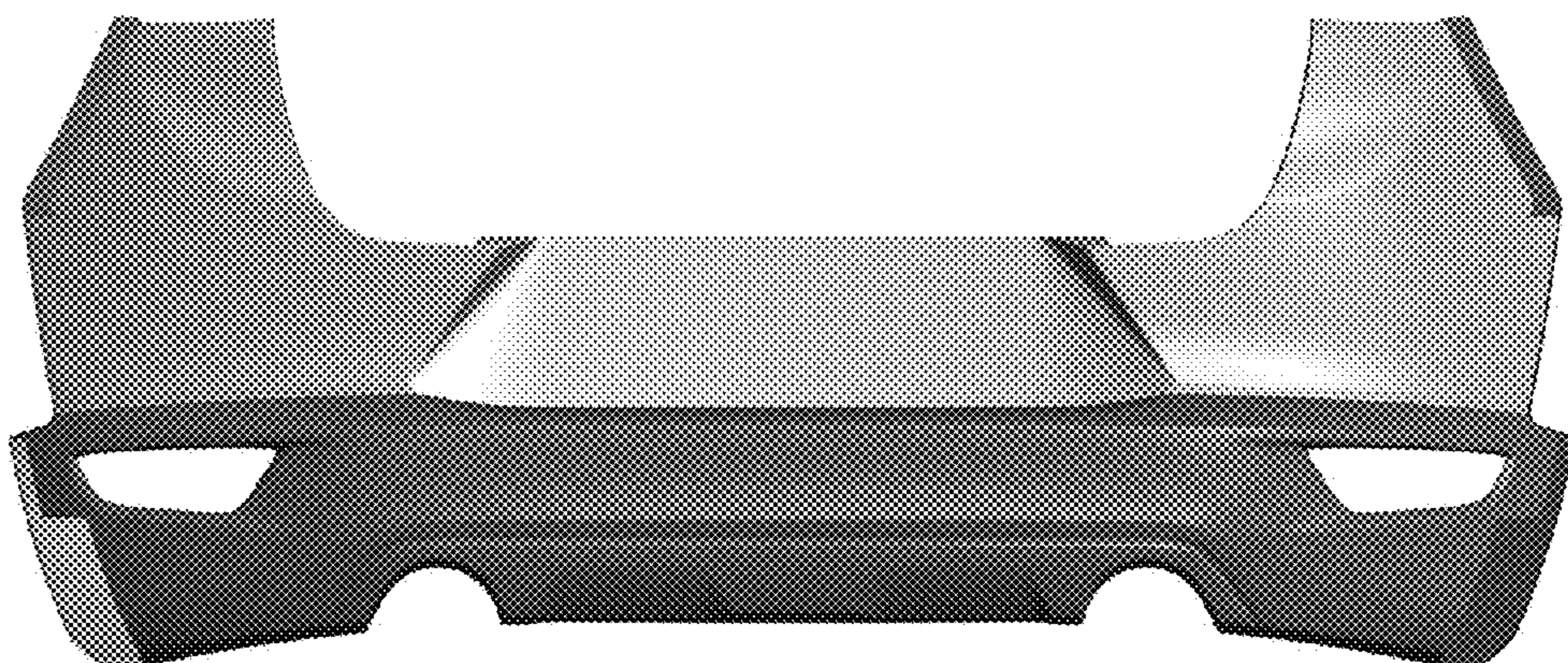


FIG. 3

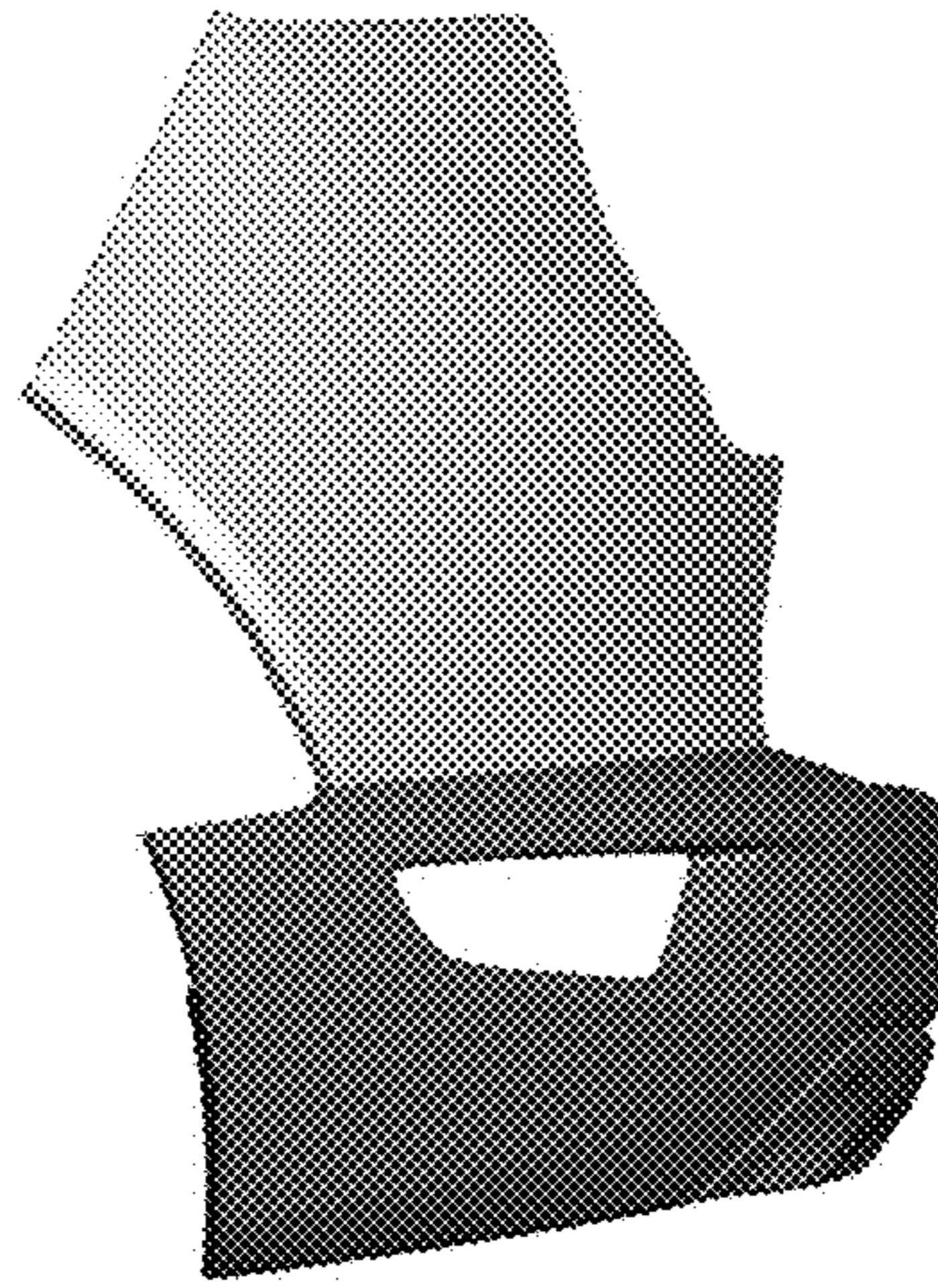


FIG. 4

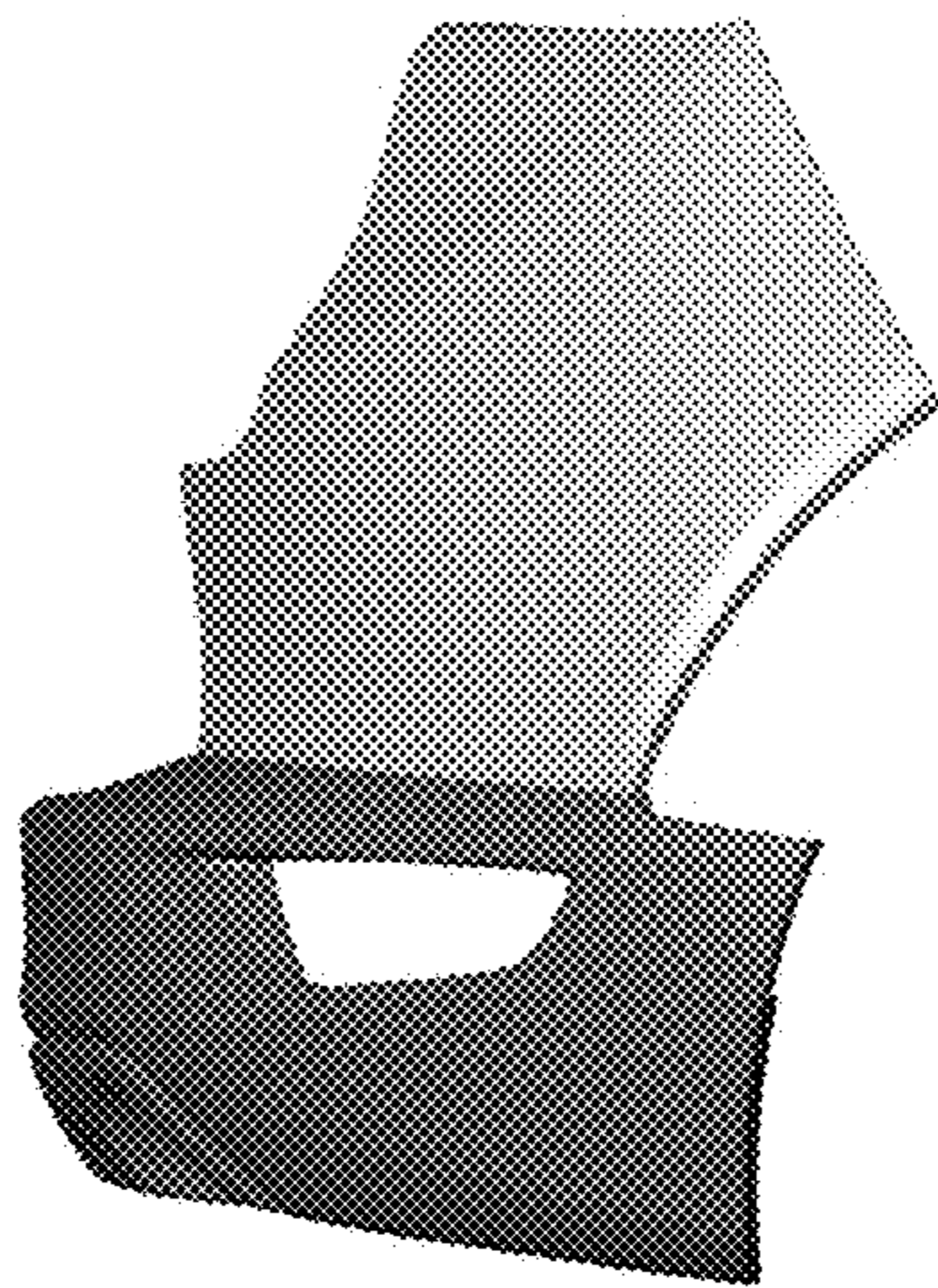


FIG. 5

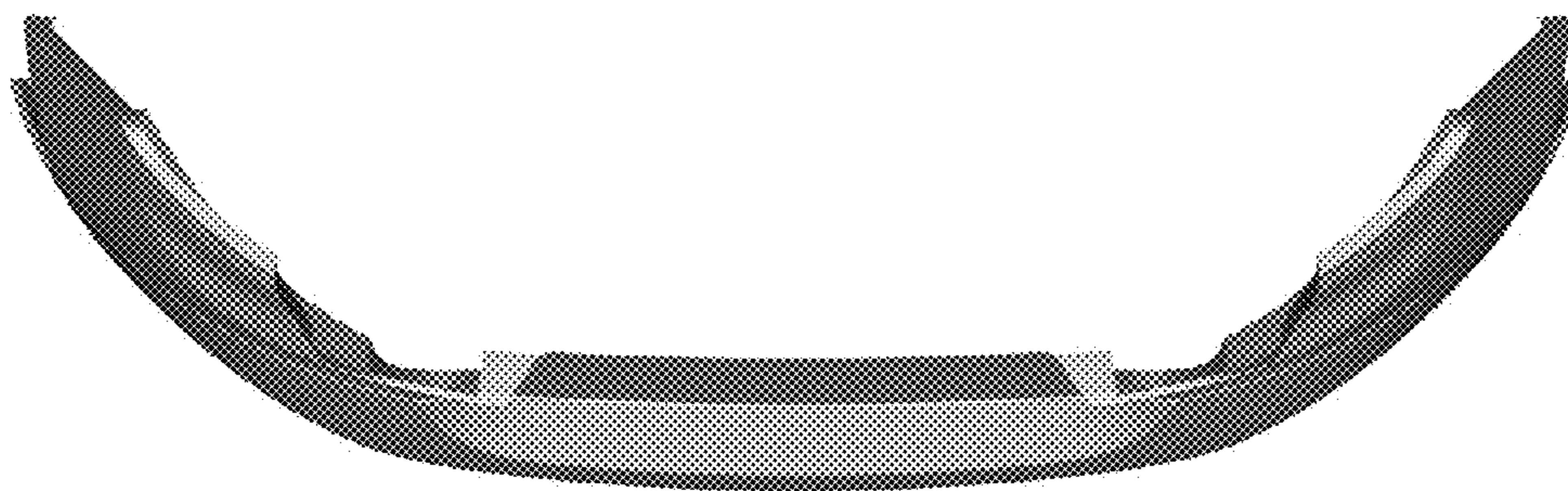


FIG. 6

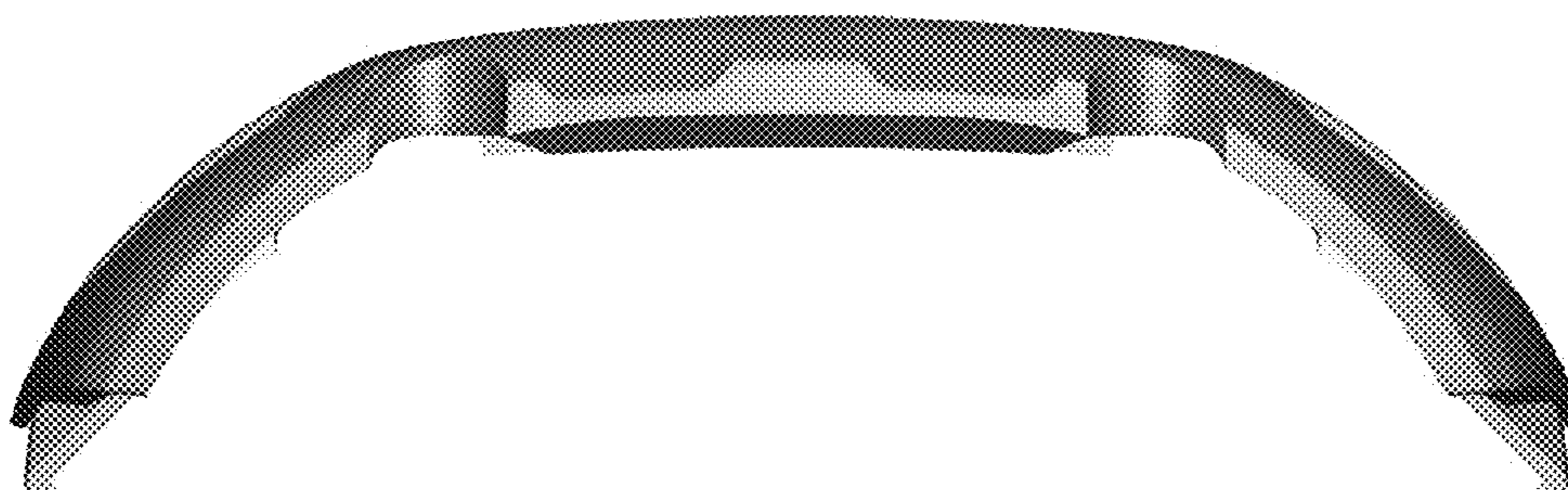


FIG. 7