



US00D750538S

(12) **United States Design Patent**  
**Buck**

(10) **Patent No.:** **US D750,538 S**  
(45) **Date of Patent:** **\*\* Mar. 1, 2016**

(54) **VEHICLE FRONT BUMPER**

(71) Applicant: **Jaguar Land Rover Limited**, Coventry (GB)

(72) Inventor: **Joe Buck**, Coventry (GB)

(73) Assignee: **Jaguar Land Rover Limited** (GB)

(\*\*) Term: **14 Years**

(21) Appl. No.: **29/501,476**

(22) Filed: **Sep. 4, 2014**

(30) **Foreign Application Priority Data**

Mar. 4, 2014 (EM) ..... 002417659

(51) **LOC (10) Cl.** ..... **12-16**

(52) **U.S. Cl.**  
USPC ..... **D12/169**

(58) **Field of Classification Search**  
USPC ..... D12/169, 216, 90-92, 86, 171, 196,  
D12/163; 293/102, 113, 115, 117, 120;  
296/180.1, 180.2

CPC . B60R 19/52; B60R 2019/25; B62D 25/0845  
See application file for complete search history.

(56) **References Cited**

**U.S. PATENT DOCUMENTS**

- D550,594 S \* 9/2007 Pfeiffer ..... D12/169
- D578,451 S \* 10/2008 Jodo ..... D12/169
- D580,314 S \* 11/2008 Yamaji ..... D12/169
- D586,705 S \* 2/2009 Bauer ..... D12/169
- D589,414 S \* 3/2009 Futschik ..... D12/169
- D605,096 S \* 12/2009 Mueller ..... D12/169
- D610,956 S \* 3/2010 Truebsbach ..... D12/169

(Continued)

*Primary Examiner* — Melody N Brown

(74) *Attorney, Agent, or Firm* — Fishman Stewart PLLC

(57) **CLAIM**

The ornamental design for a vehicle front bumper, as shown and described.

**DESCRIPTION**

FIG. 1 is a front perspective view of a first embodiment of a vehicle front bumper;

FIG. 2 is a rear perspective view of a first embodiment of a vehicle front bumper;

FIG. 3 is a front view of a first embodiment of a vehicle front bumper;

FIG. 4 is a rear view of a first embodiment of a vehicle front bumper;

FIG. 5 is a left side view of a first embodiment of a vehicle front bumper;

FIG. 6 is a right side view of a first embodiment of a vehicle front bumper;

FIG. 7 is a top view of a first embodiment of a vehicle front bumper;

FIG. 8 is a front perspective view of a second embodiment of a vehicle front bumper;

FIG. 9 is a rear perspective view of a second embodiment of a vehicle front bumper;

FIG. 10 is a front view of a second embodiment of a vehicle front bumper;

FIG. 11 is a rear view of a second embodiment of a vehicle front bumper;

FIG. 12 is a left side view of a second embodiment of a vehicle front bumper;

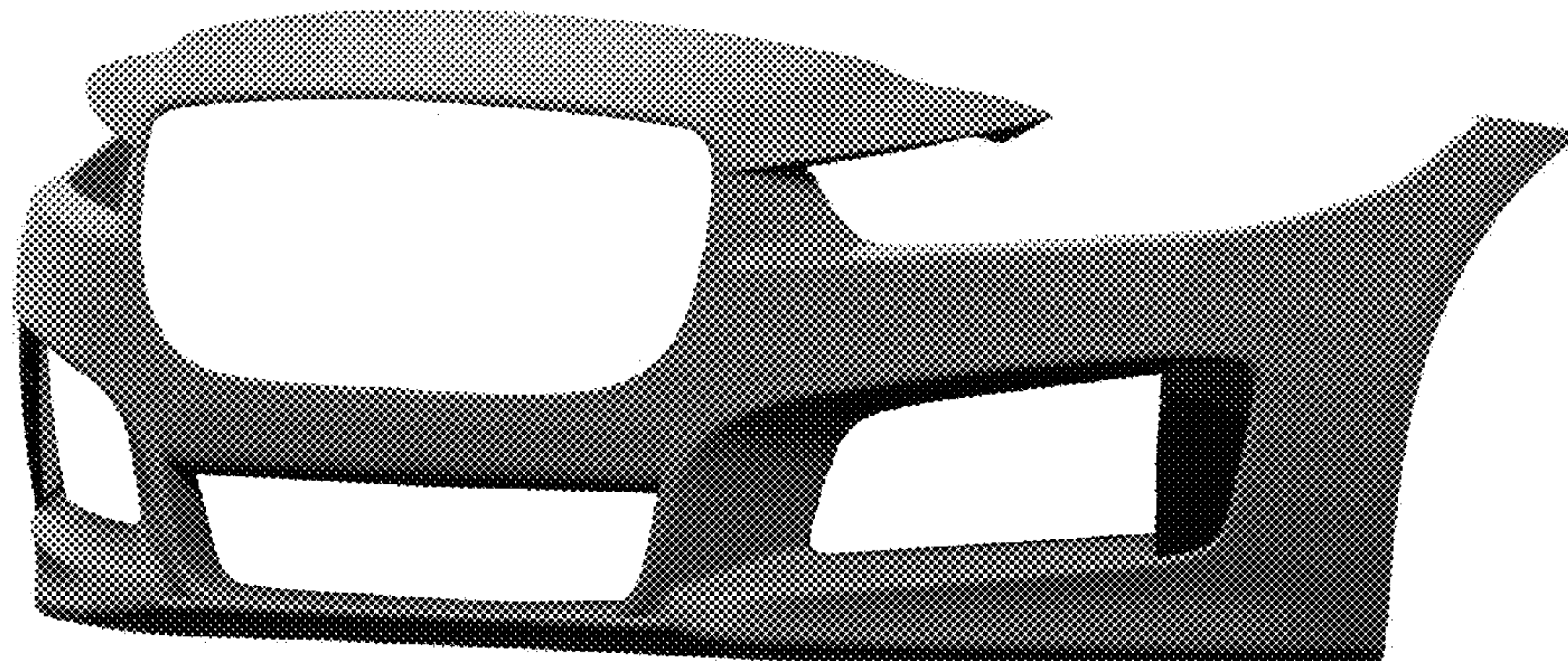
FIG. 13 is a right side view of a second embodiment of a vehicle front bumper;

FIG. 14 is a top view of a second embodiment of a vehicle front bumper; and,

FIG. 15 is another front perspective view of the first embodiment of a vehicle front bumper shown in installed position on vehicle.

Portions of the front bumper shown in broken lines are for illustrative purposes only and form no part of the claimed design. Portions of the vehicle shown in diagonal lines are for illustrative purposes only and form no part of the claimed design.

**1 Claim, 9 Drawing Sheets**



(56)

**References Cited**

U.S. PATENT DOCUMENTS

D623,566 S \* 9/2010 Bauer ..... D12/169  
D625,230 S \* 10/2010 Hirai ..... D12/169  
D626,473 S \* 11/2010 Mueller ..... D12/169  
D630,978 S \* 1/2011 Koshino ..... D12/169  
D633,013 S \* 2/2011 Bauer ..... D12/169

D636,303 S \* 4/2011 Frei ..... D12/169  
D656,871 S \* 4/2012 Fetherston ..... D12/169  
D664,901 S \* 8/2012 Futschik ..... D12/169  
D670,627 S \* 11/2012 Fetherston ..... D12/169  
D690,628 S \* 10/2013 Minamisawa ..... D12/169  
D691,526 S \* 10/2013 Uchino ..... D12/169  
D711,796 S \* 8/2014 Futschik ..... D12/169  
D735,096 S \* 7/2015 Nissl ..... D12/169

\* cited by examiner



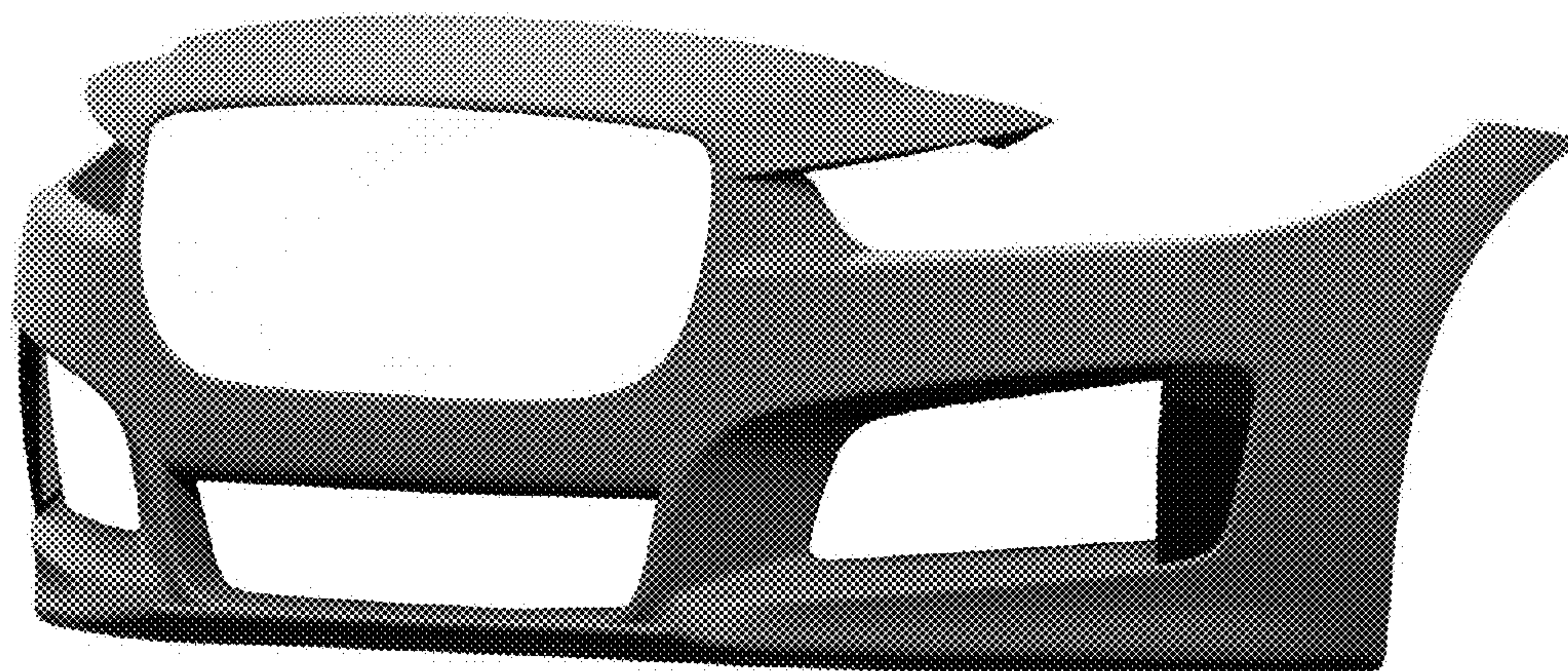


FIG. 1

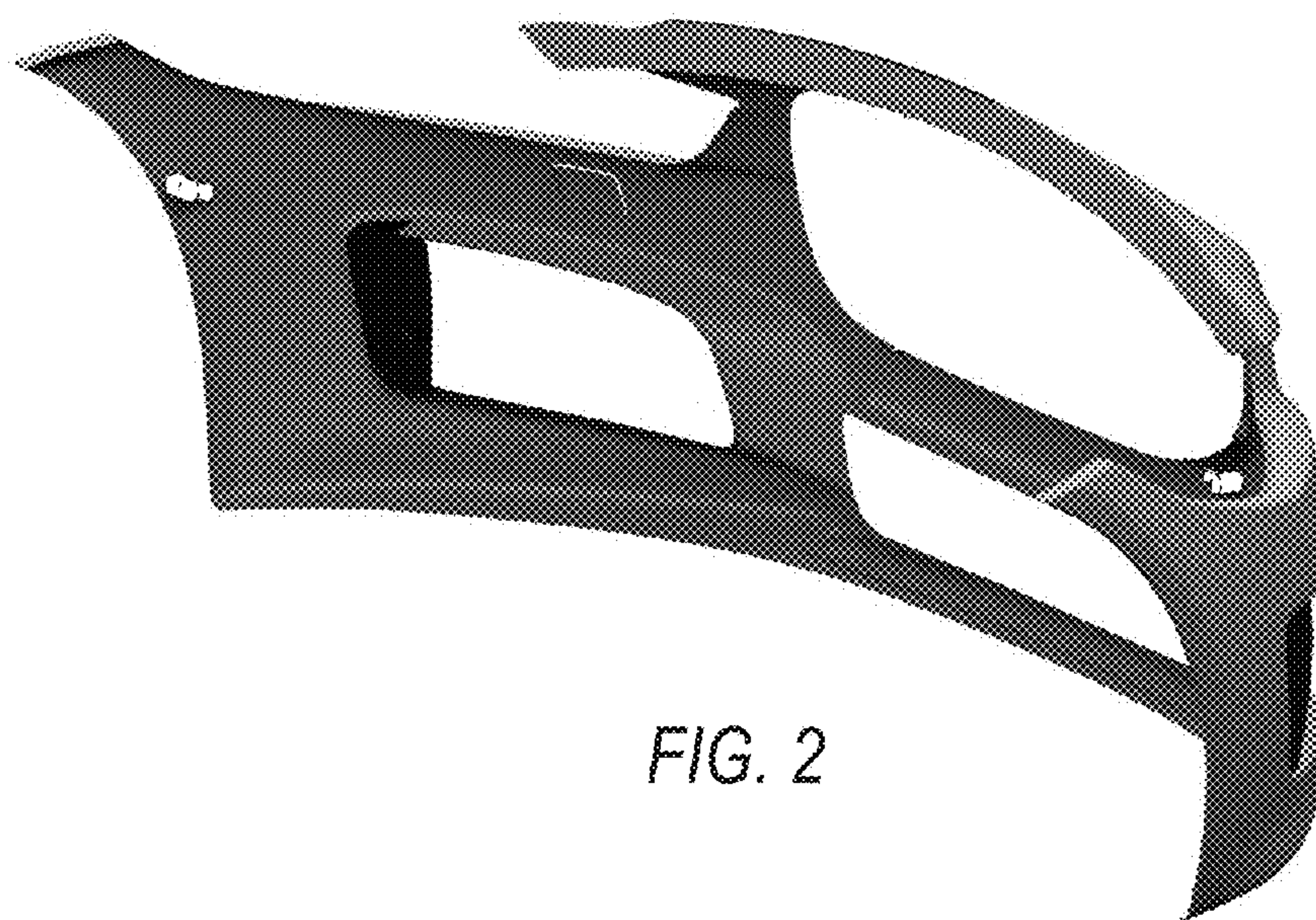


FIG. 2



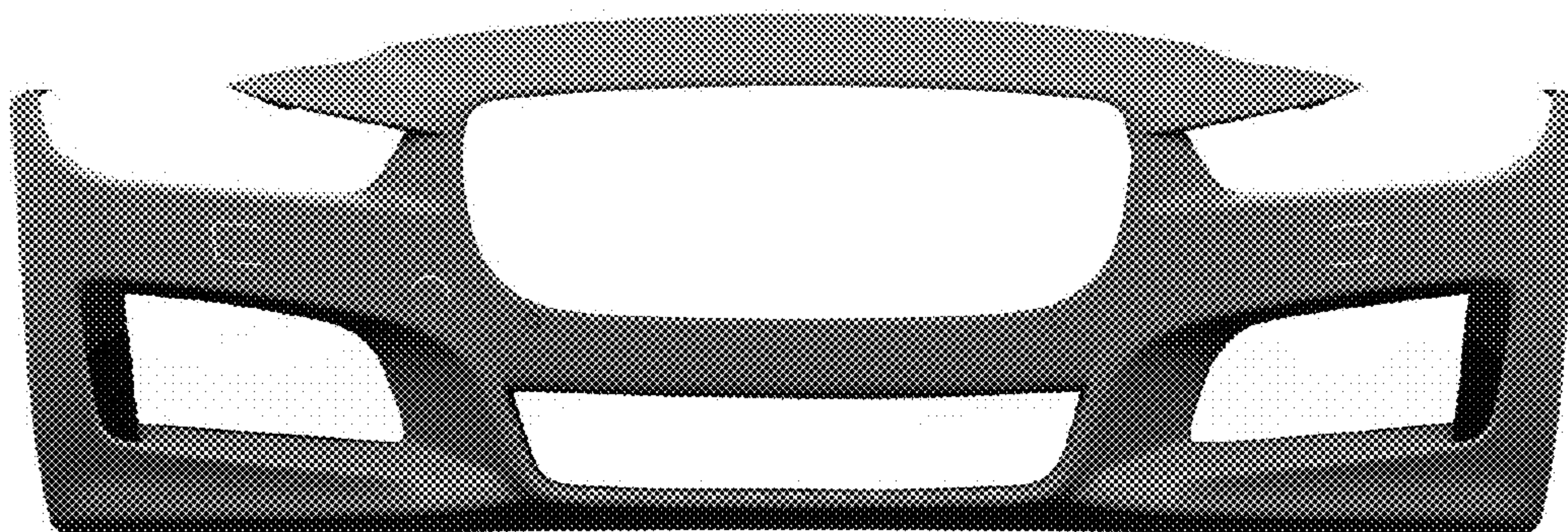


FIG. 3

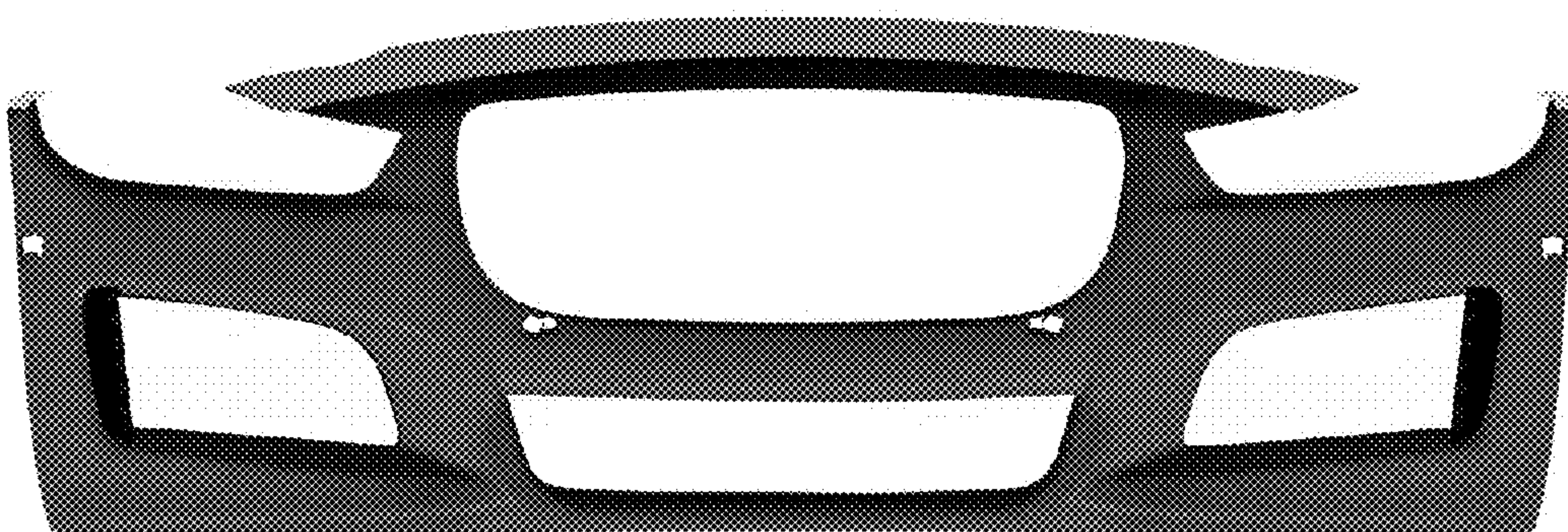


FIG. 4

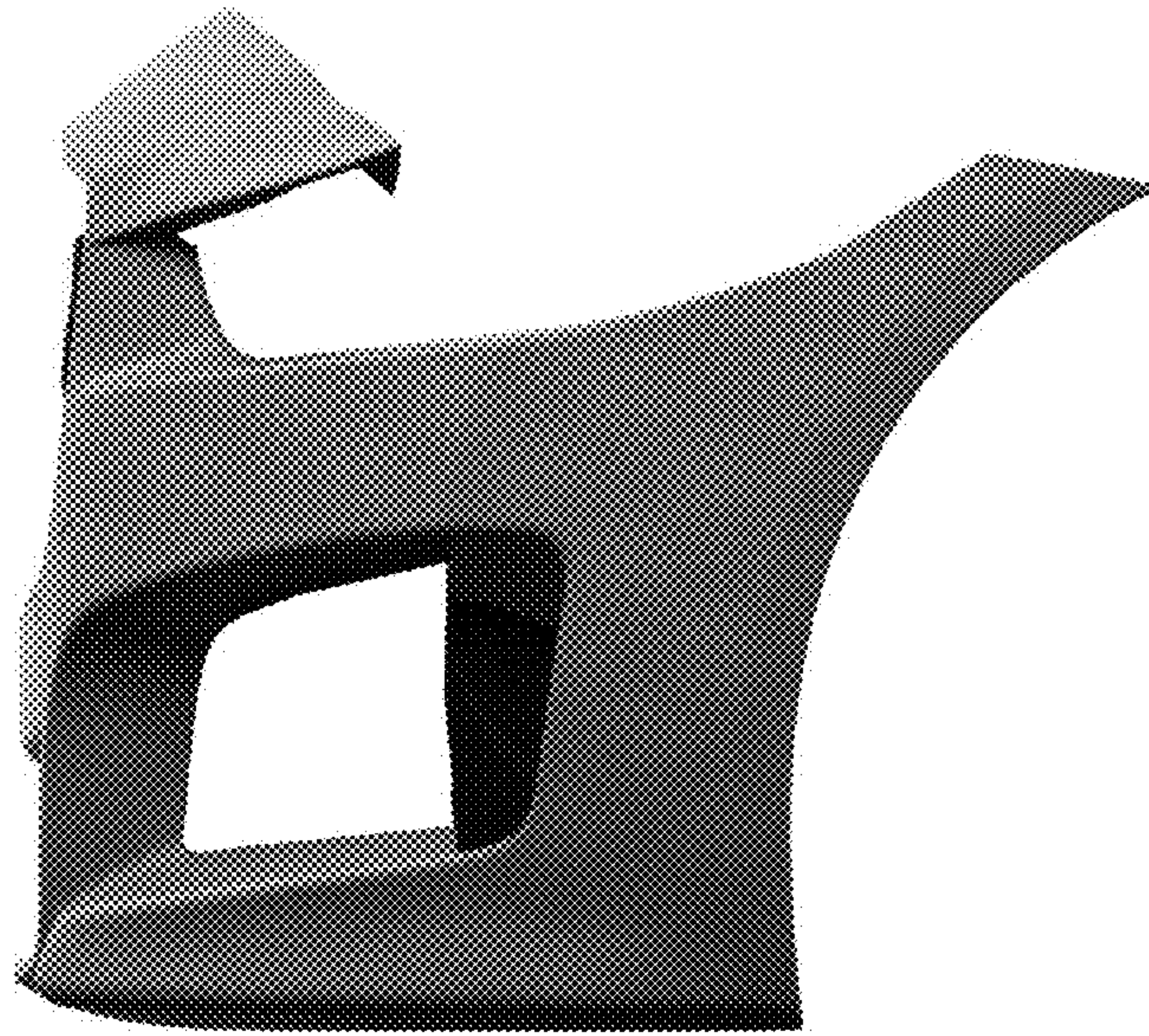


FIG. 5

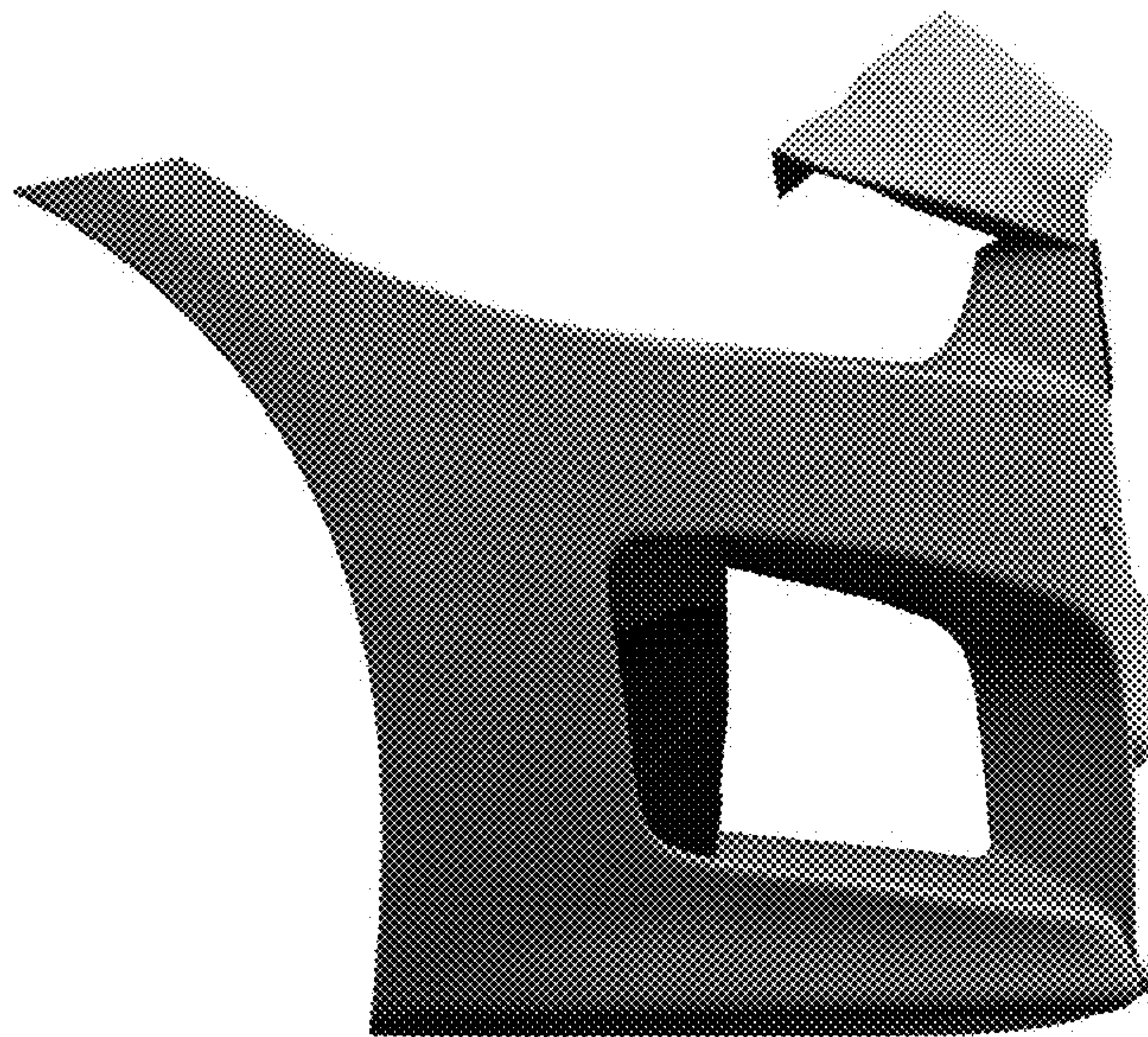


FIG. 6



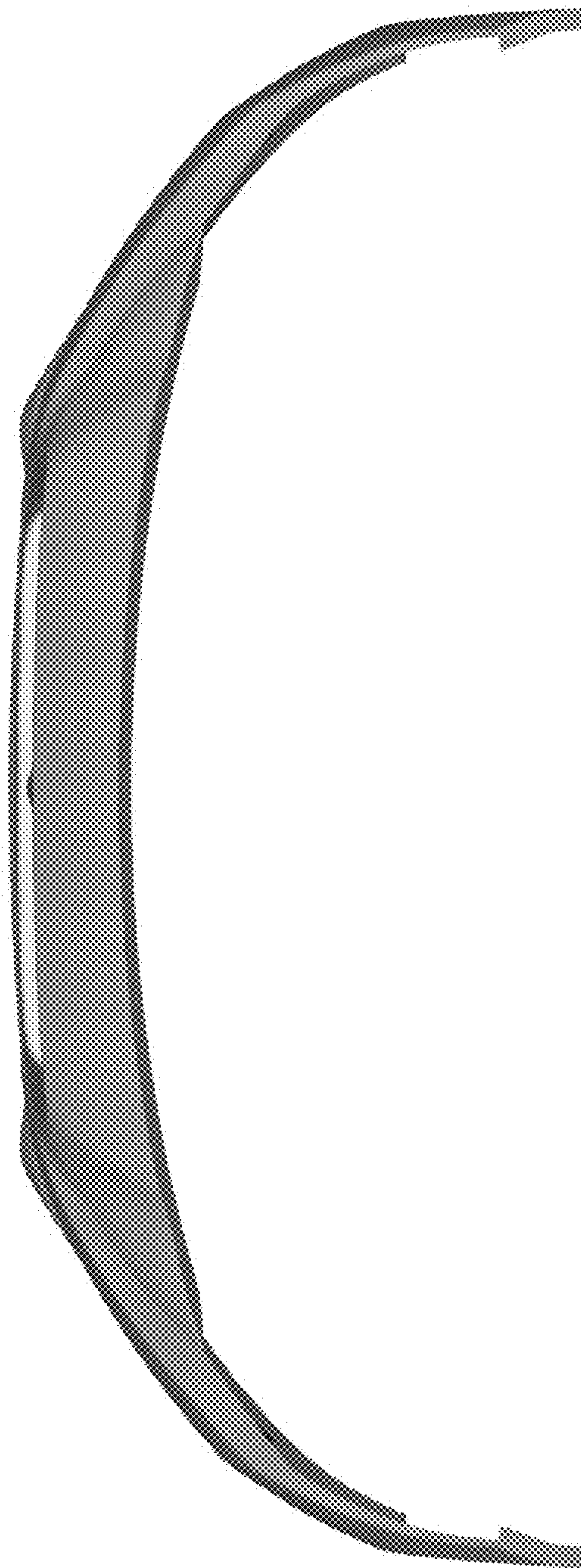


FIG. 7

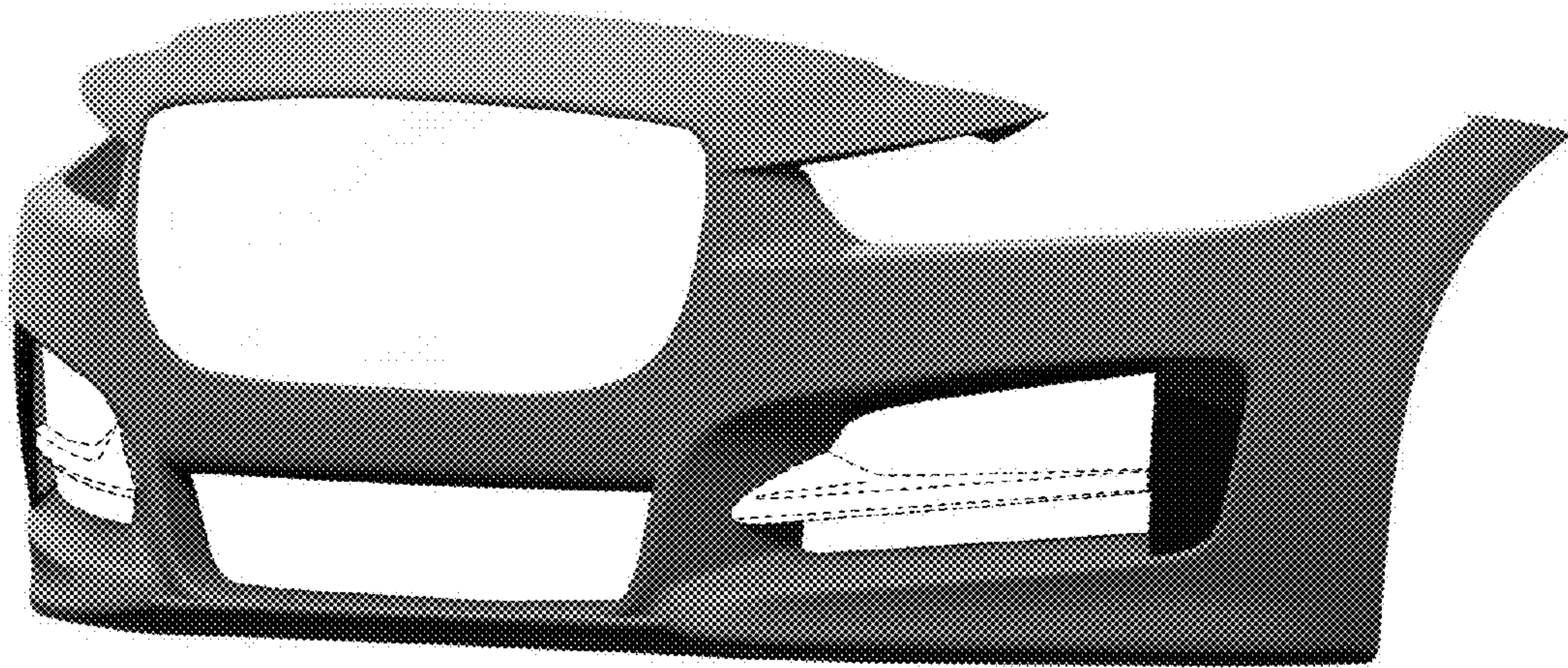


FIG. 8

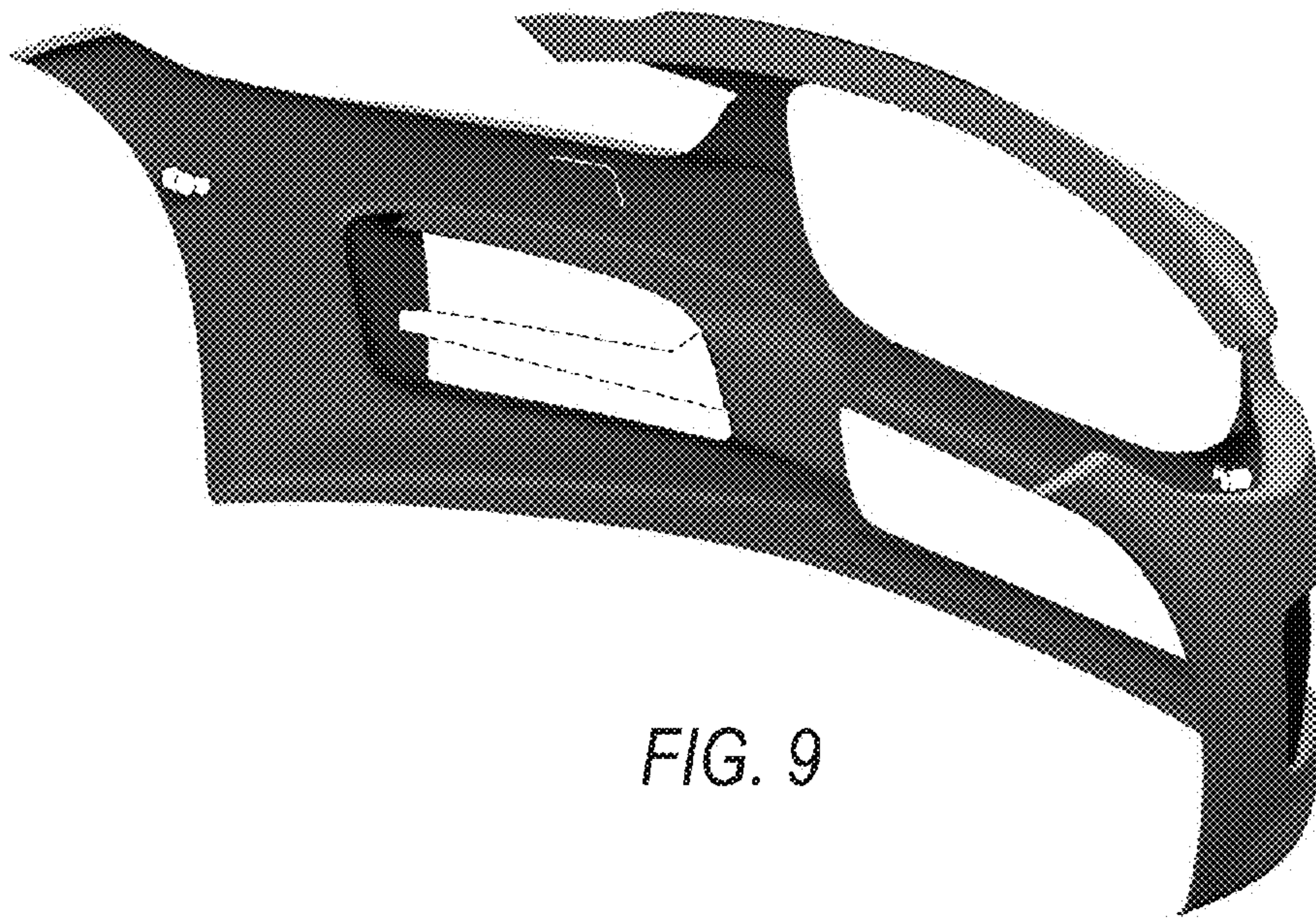


FIG. 9



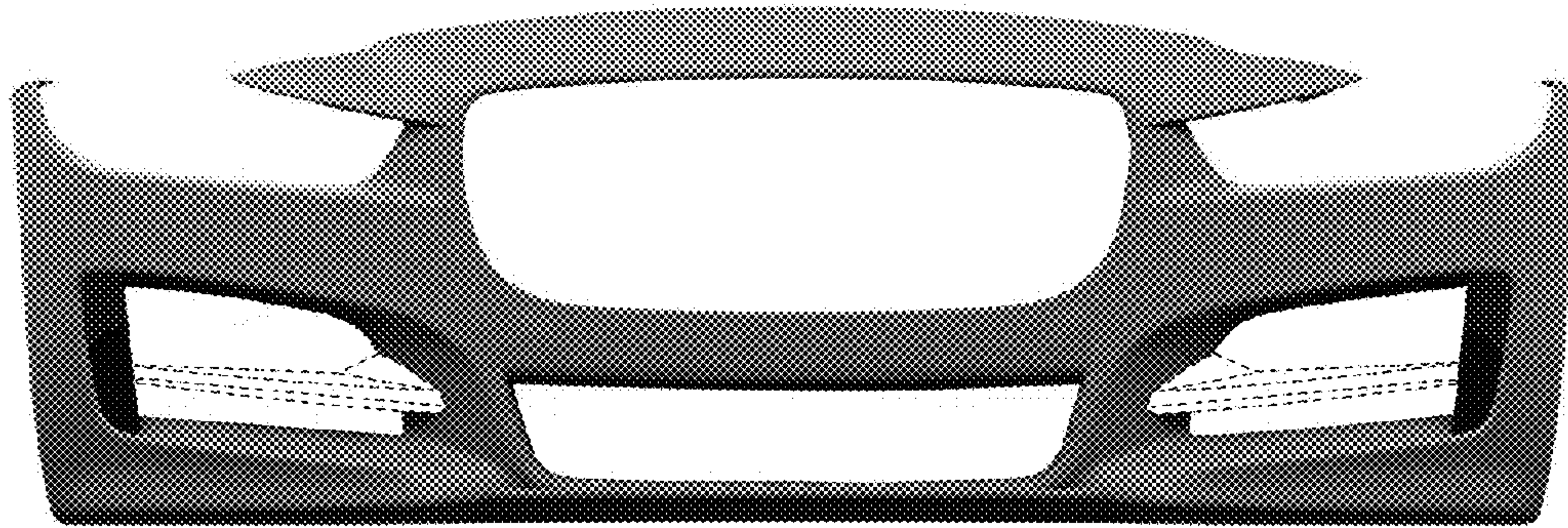


FIG. 10

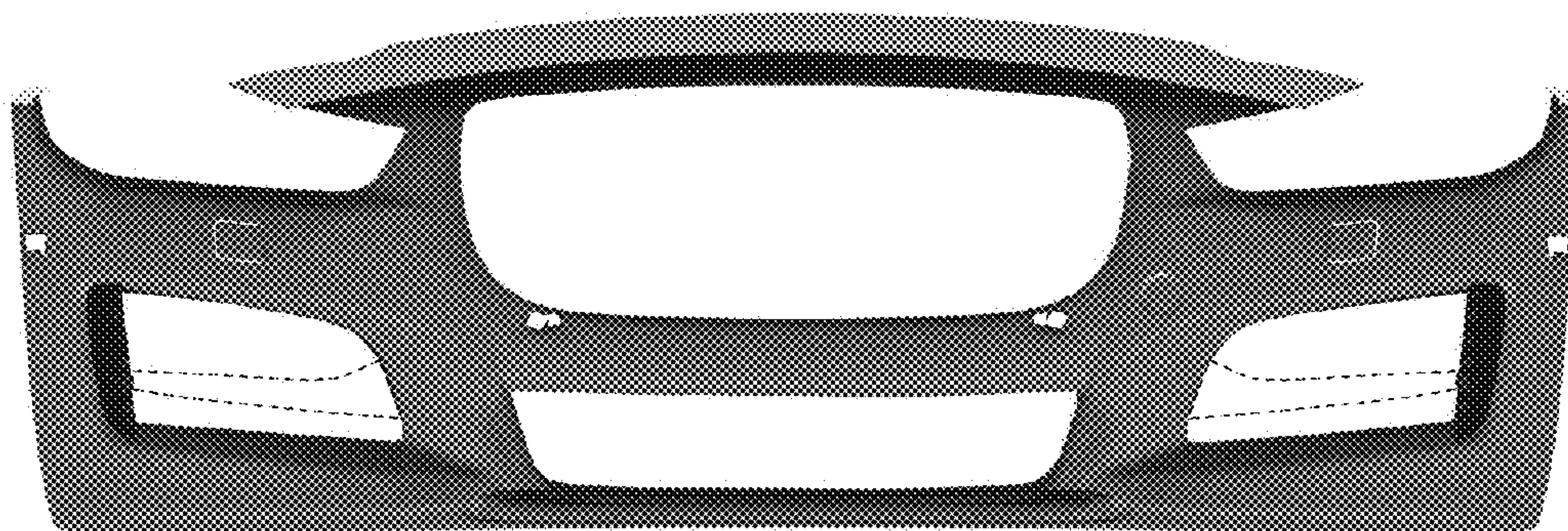


FIG. 11



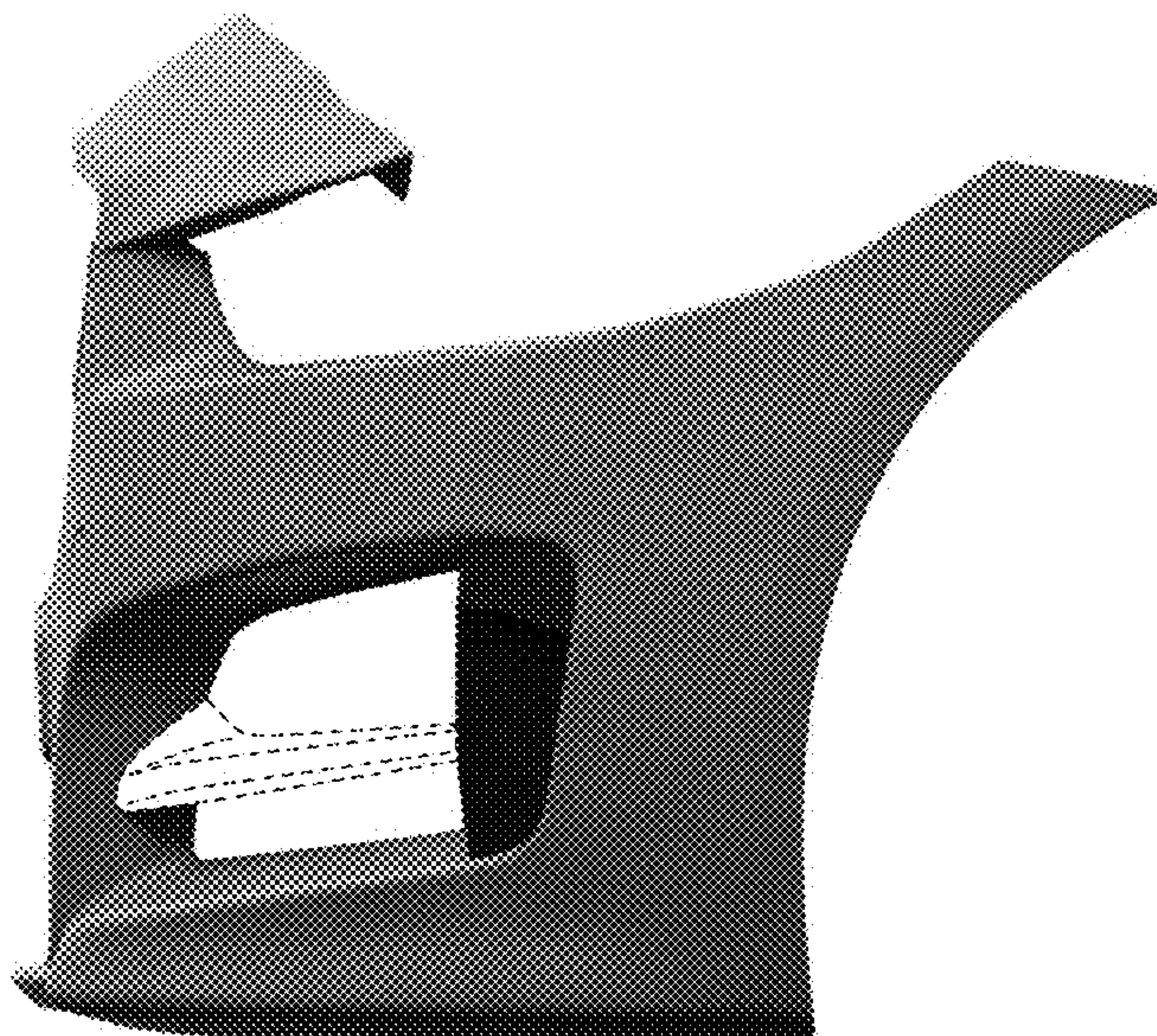


FIG. 12

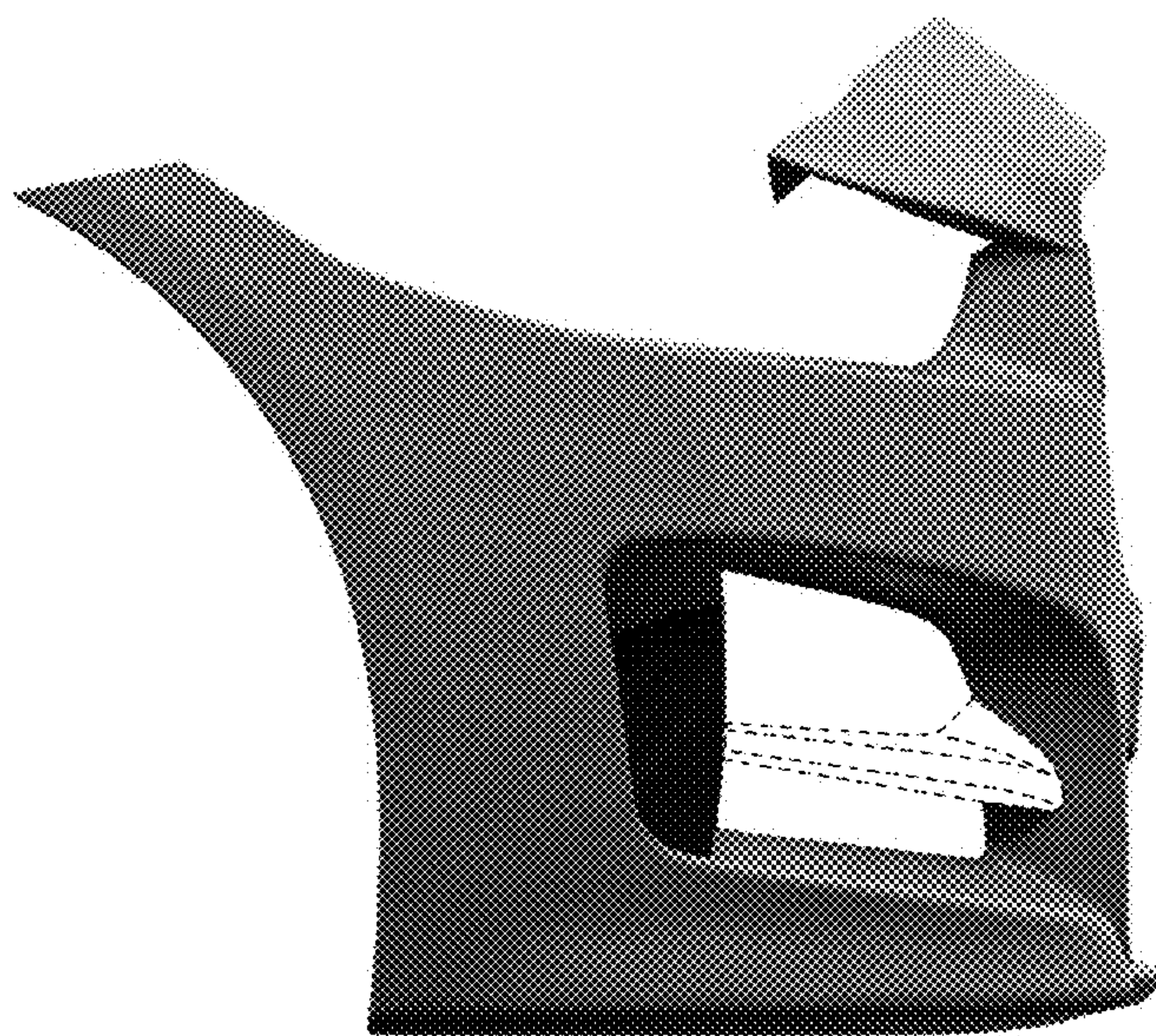


FIG. 13



FIG. 14



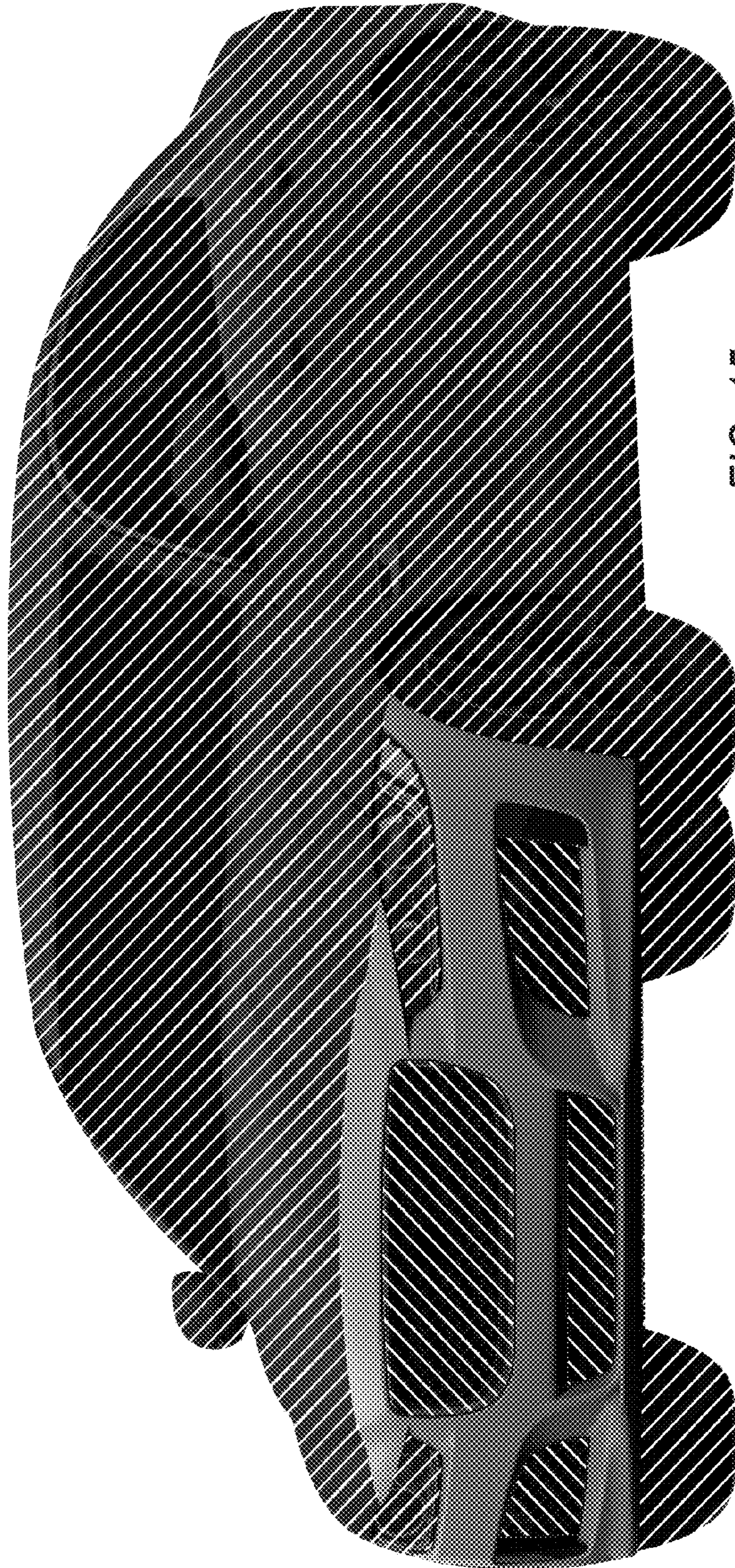


FIG. 15