



US00D750534S

(12) **United States Design Patent**  
**Lu**

(10) **Patent No.:** **US D750,534 S**  
(45) **Date of Patent:** **\*\* Mar. 1, 2016**

(54) **BABY WALKER**

(71) Applicant: **Li-Wei Lu**, Taichung (TW)

(72) Inventor: **Li-Wei Lu**, Taichung (TW)

(\*\*) Term: **14 Years**

(21) Appl. No.: **29/499,039**

(22) Filed: **Aug. 11, 2014**

(51) **LOC (10) Cl.** ..... **12-12**

(52) **U.S. Cl.**  
USPC ..... **D12/130**

(58) **Field of Classification Search**  
USPC ..... D12/128-133; D21/419  
CPC ... A47D 13/043; A47D 13/107; A47D 13/04;  
A47D 13/005; A47D 3/00  
See application file for complete search history.

(56) **References Cited**

**U.S. PATENT DOCUMENTS**

6,231,056	B1 *	5/2001	Wu	.....	280/7.17
D445,143	S *	7/2001	Bellows	.....	D21/419
D451,052	S *	11/2001	Lu	.....	D12/130
D466,843	S *	12/2002	Paesang et al.	.....	D12/130
D475,325	S *	6/2003	Wu	.....	D12/133

6,863,287	B2 *	3/2005	Myers et al.	.....	280/87.051
D587,764	S *	3/2009	Cheng	.....	D21/419
D612,302	S *	3/2010	Cheng	.....	D12/133
D627,009	S *	11/2010	Lu	.....	D21/419
D630,259	S *	1/2011	Lu	.....	D21/421
D679,337	S *	4/2013	Lai	.....	D21/419
D702,599	S *	4/2014	Lu	.....	D12/130
2003/0184036	A1 *	10/2003	Wu	.....	280/87.051

\* cited by examiner

*Primary Examiner* — Susan Bennett Hattan

*Assistant Examiner* — Charles Hanson

(74) *Attorney, Agent, or Firm* — Egbert Law Offices, PLLC

(57) **CLAIM**

The ornamental design for a baby walker, as shown and described.

**DESCRIPTION**

FIG. 1 is an upper perspective view of a baby walker showing my new design.

FIG. 2 is a front elevation view thereof;

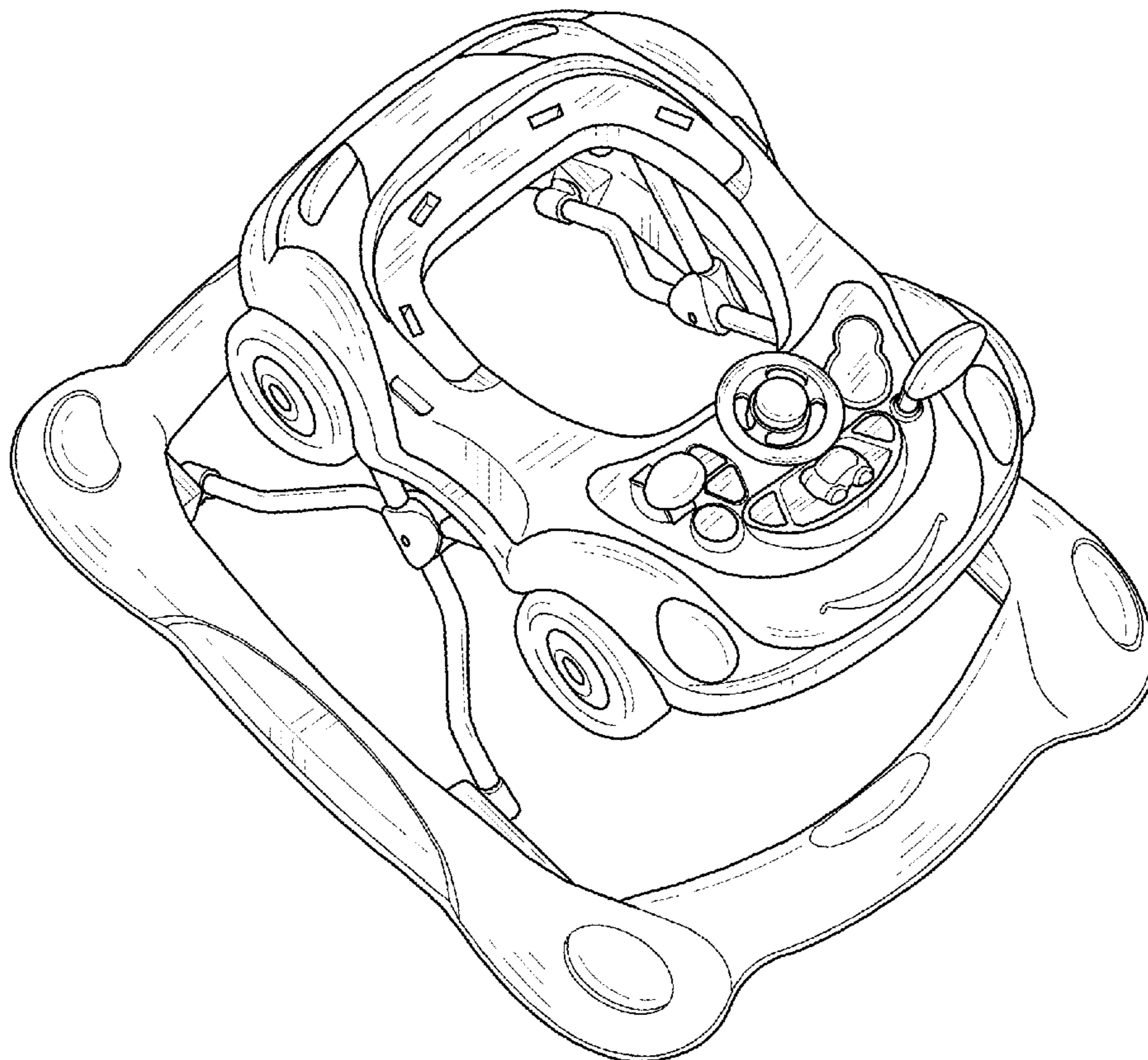
FIG. 3 is rear elevation view thereof;

FIG. 4 is a side elevation view thereof;

FIG. 5 is an opposite side elevation view thereof; and,

FIG. 6 is a top plan view thereof.

**1 Claim, 6 Drawing Sheets**



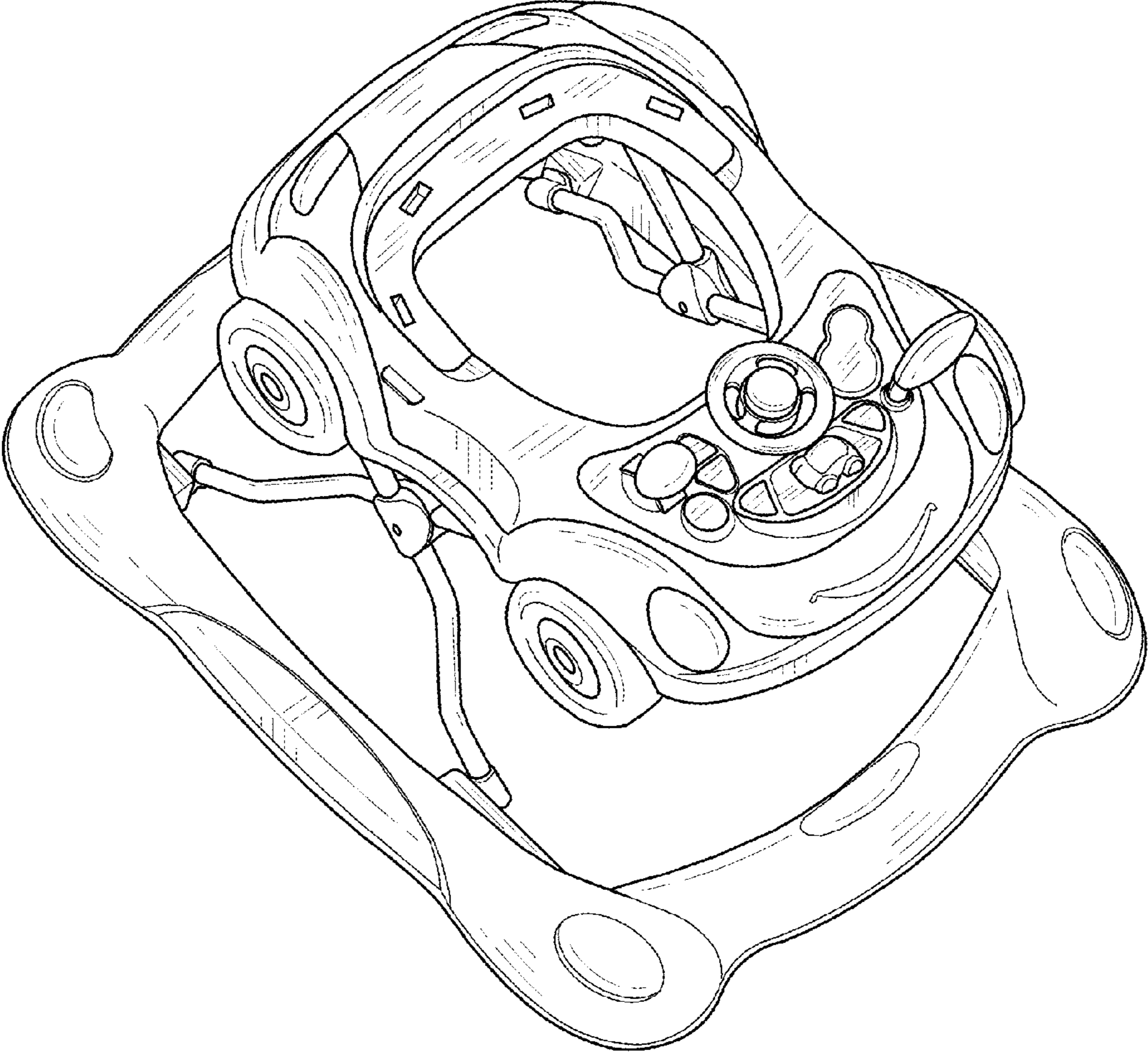


FIG.1

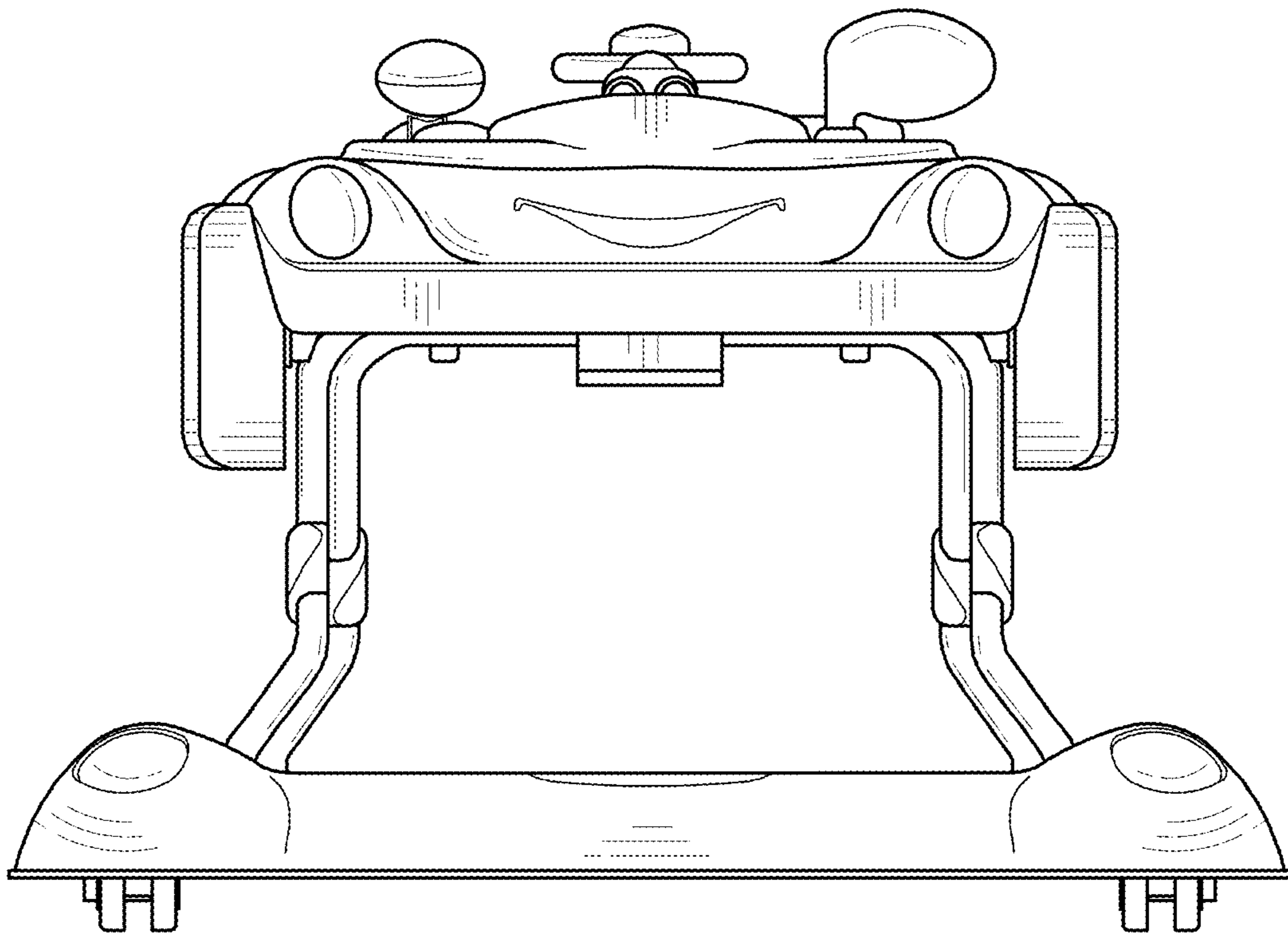


FIG.2

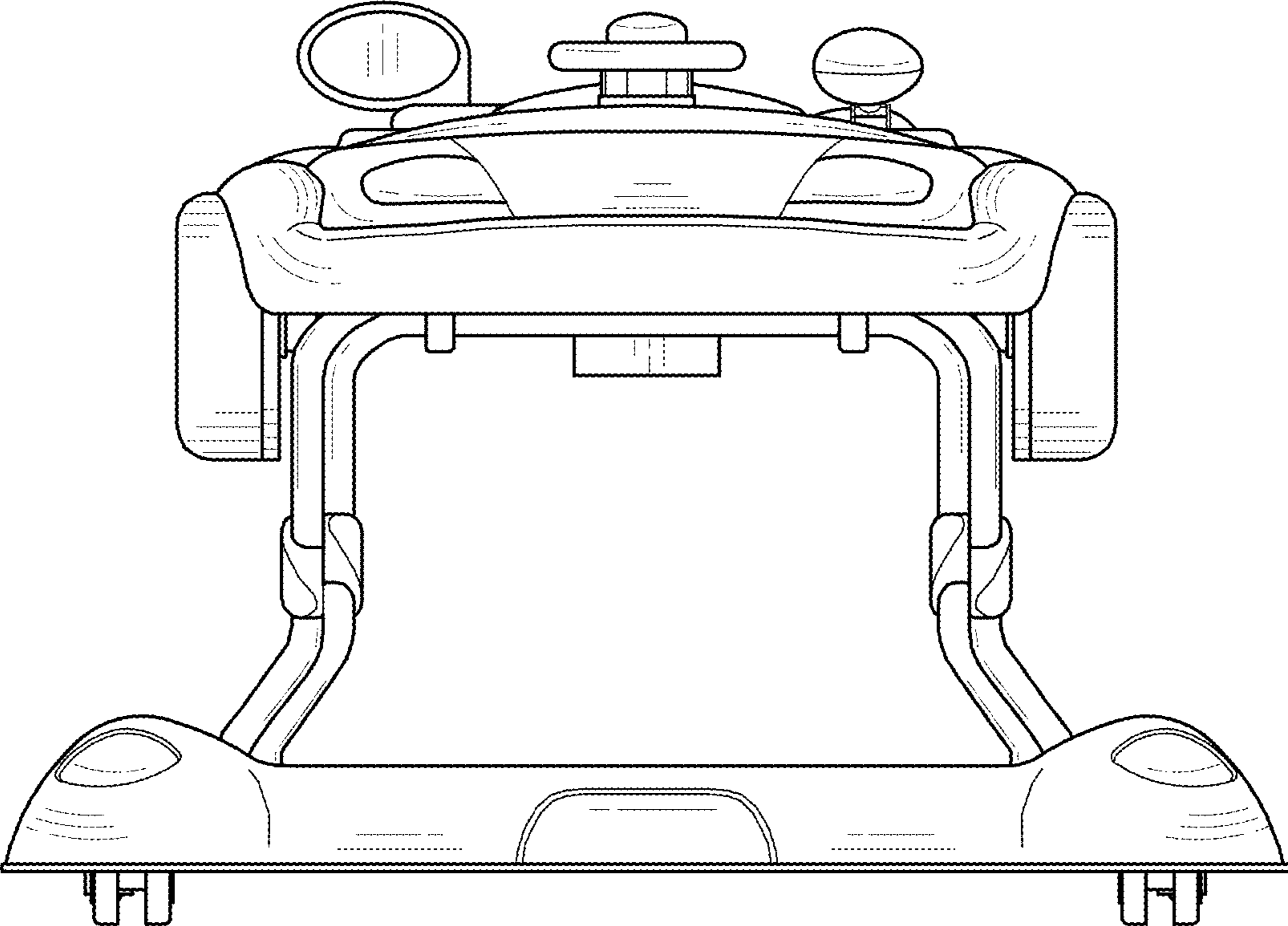


FIG.3

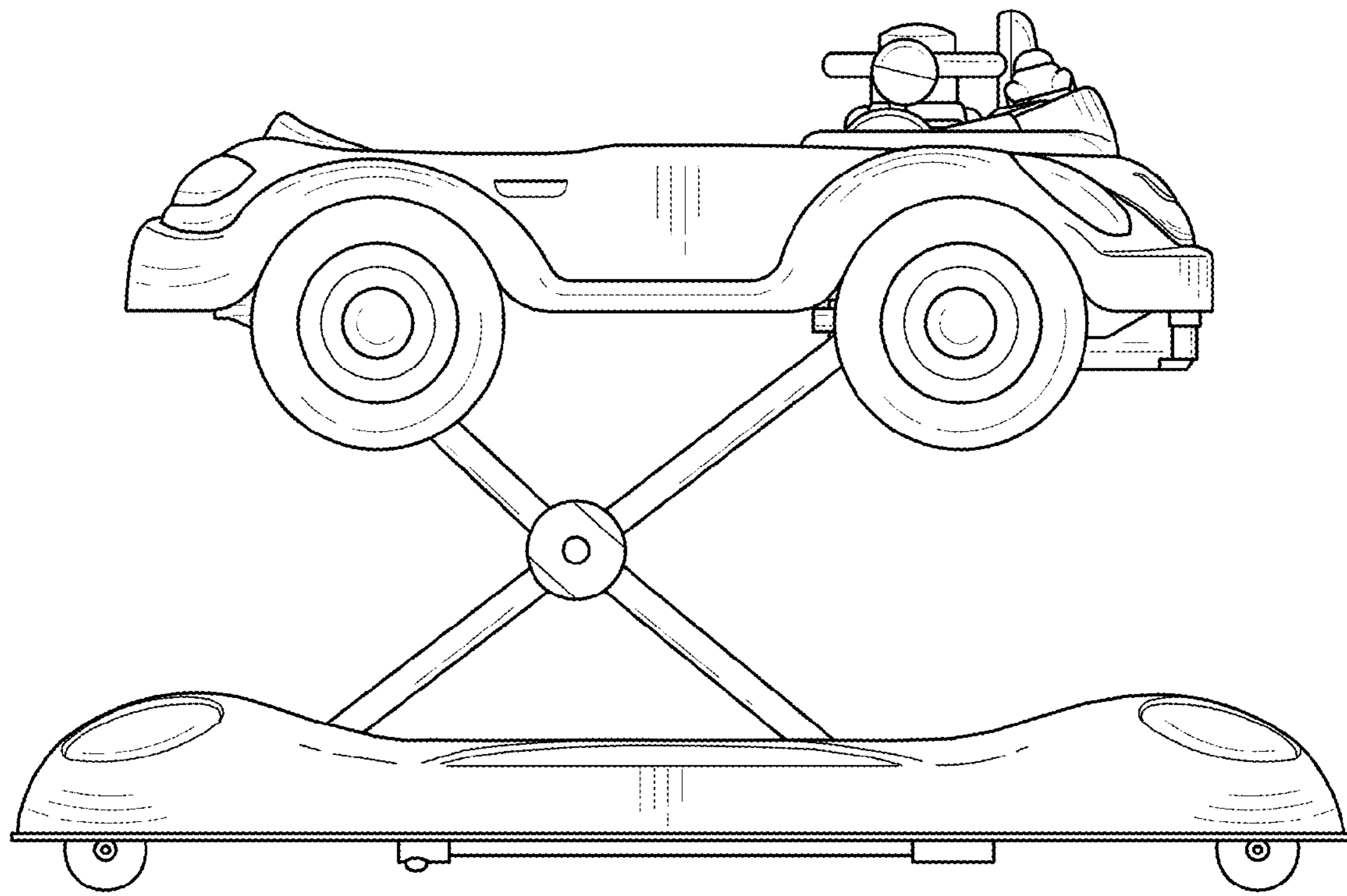


FIG. 4

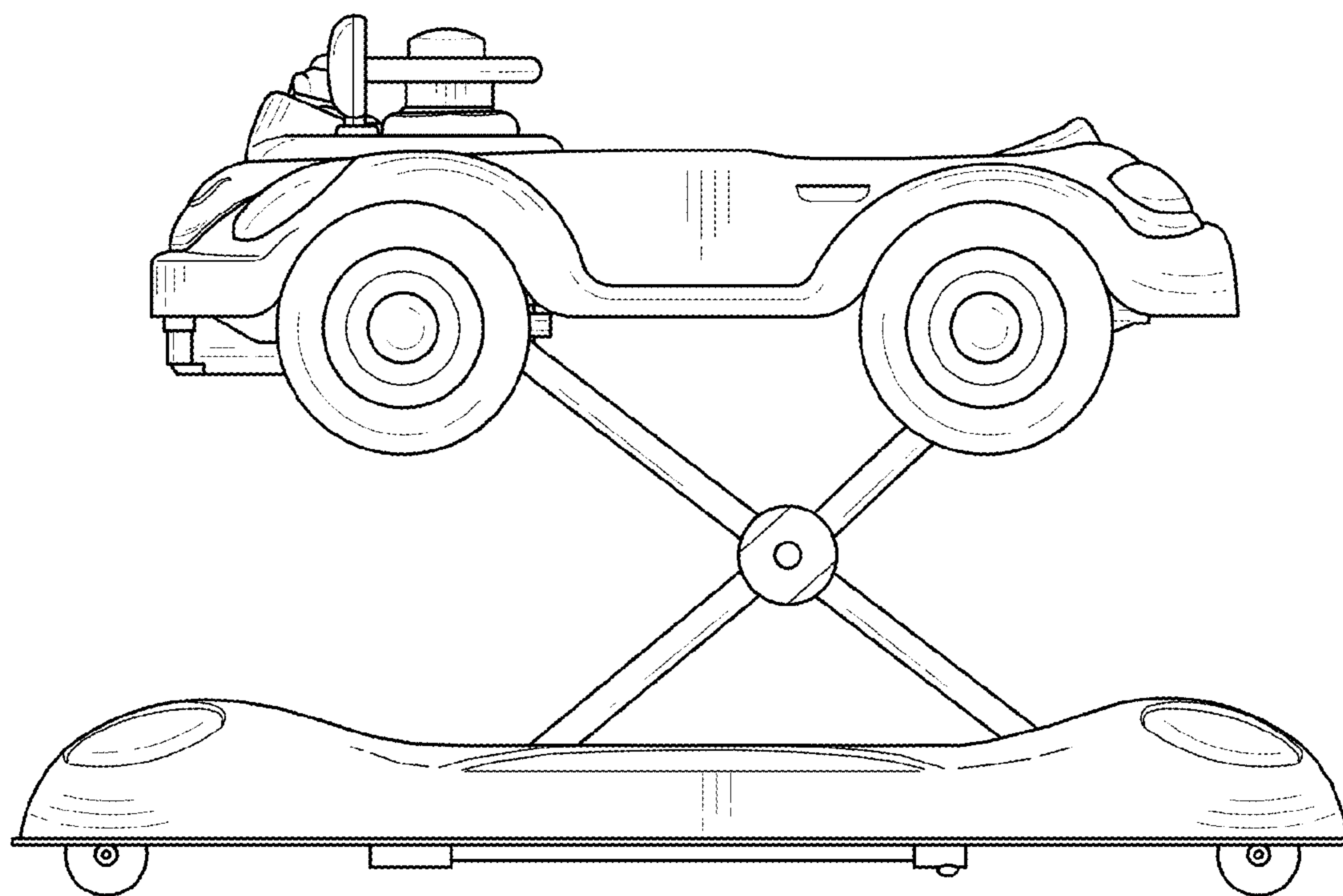


FIG.5

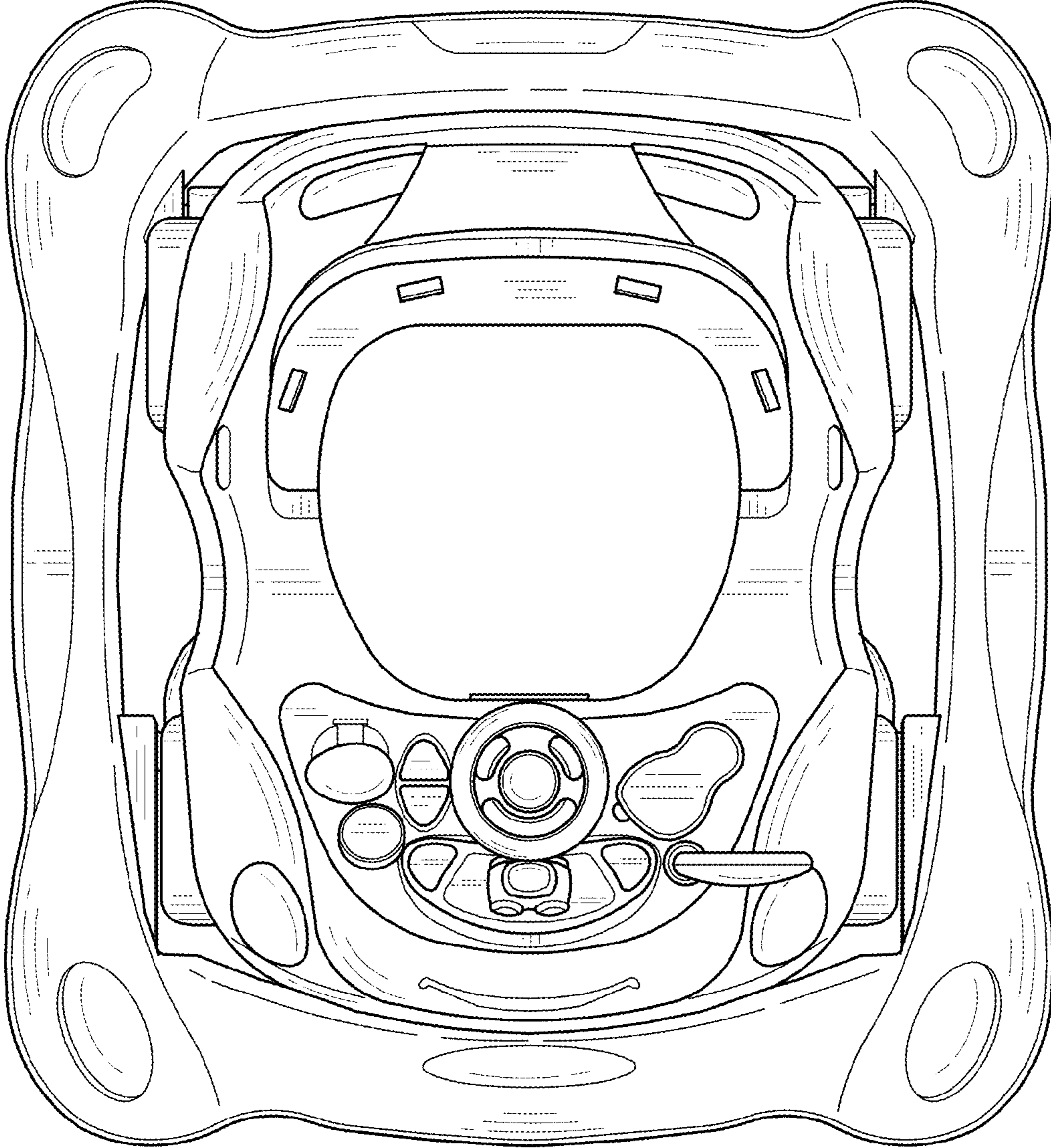


FIG.6