



US00D750531S

(12) **United States Design Patent**
Watkins et al.

(10) **Patent No.:** **US D750,531 S**
(45) **Date of Patent:** **** Mar. 1, 2016**

(54) **MOTOR VEHICLE**

(71) Applicant: **Jaguar Land Rover Limited**, Coventry (GB)

(72) Inventors: **James Watkins**, Coventry (GB); **Sean Henstridge**, Coventry (GB); **Andreas Knoedle-Bunte**, Warwickshire (GB); **Phillip Simmons**, Warwickshire (GB); **Andrew Wheel**, Coventry (GB); **Richard Woolley**, Warwickshire (GB)

(73) Assignee: **Jaguar Land Rover Limited** (GB)

(**) Term: **14 Years**

(21) Appl. No.: **29/488,844**

(22) Filed: **Apr. 23, 2014**

Related U.S. Application Data

(63) Continuation-in-part of application No. 29/435,057, filed on Oct. 18, 2012, now abandoned.

(30) **Foreign Application Priority Data**

Apr. 19, 2012 (EM) 002029447
Aug. 13, 2012 (EM) 002087189
Aug. 13, 2012 (EM) 002087320
Oct. 24, 2013 (EM) 002332395
Oct. 28, 2013 (EM) 002334193

(51) **LOC (10) Cl.** **12-08**

(52) **U.S. Cl.**
USPC **D12/91**

(58) **Field of Classification Search**
USPC D12/86, 88, 90, 91, 92; D21/424, 433, D21/434; 296/181.1, 181.5
See application file for complete search history.

(56) **References Cited**

U.S. PATENT DOCUMENTS

D350,504 S * 9/1994 Nixon D12/91
D374,415 S * 10/1996 Thomson D12/91

D458,189 S * 6/2002 Wyatt D12/91
D516,956 S * 3/2006 Bucci et al. D12/91
D524,190 S * 7/2006 Fisker et al. D12/91
D579,823 S * 11/2008 Choi et al. D12/91
D584,996 S * 1/2009 Jamieson et al. D12/91
D587,170 S * 2/2009 Tokoro et al. D12/91
D619,500 S * 7/2010 Hsu et al. D12/91
8,246,109 B2 * 8/2012 Wykoff et al. 296/216.08
D671,454 S * 11/2012 Davidson et al. D12/91
2010/0038932 A1 * 2/2010 Comfort et al. 296/216.08

* cited by examiner

Primary Examiner — Philip S Hyder

Assistant Examiner — Darlington Ly

(74) *Attorney, Agent, or Firm* — Fishman Stewart Yamaguchi PLLC

(57) **CLAIM**

The ornamental design for a motor vehicle, as shown and described.

DESCRIPTION

FIG. 1 is a front and left-side perspective view of a motor vehicle embodying the new design, in the long wheelbase configuration;

FIG. 2 is a rear and right-side perspective view thereof;

FIG. 3 is a front elevation view thereof;

FIG. 4 is a rear elevation view thereof;

FIG. 5 is a left-side elevation view thereof;

FIG. 6 is a right-side elevation view thereof;

FIG. 7 is a top plan view thereof;

FIG. 8 is a front and left-side perspective view of a motor vehicle according to a second embodiment, in the regular wheelbase configuration;

FIG. 9 is a rear and right-side perspective view thereof;

FIG. 10 is a front elevation view thereof;

FIG. 11 is a rear elevation view thereof;

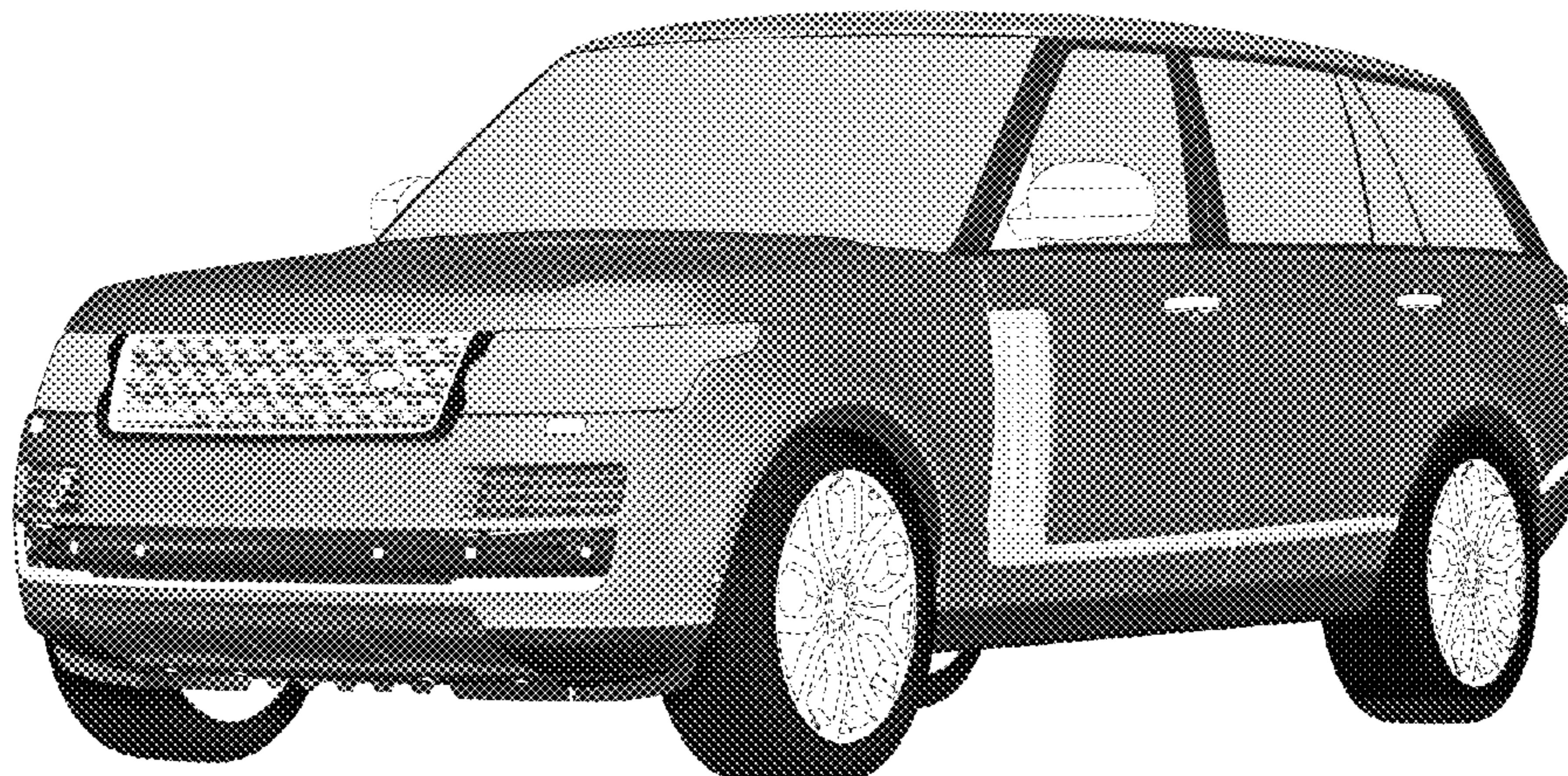
FIG. 12 is a left-side elevation view thereof;

FIG. 13 is a right-side elevation view thereof; and,

FIG. 14 is a top plan view thereof.

The broken lines in the drawings illustrated portions of the motor vehicle that form no part of the claimed design.

1 Claim, 12 Drawing Sheets



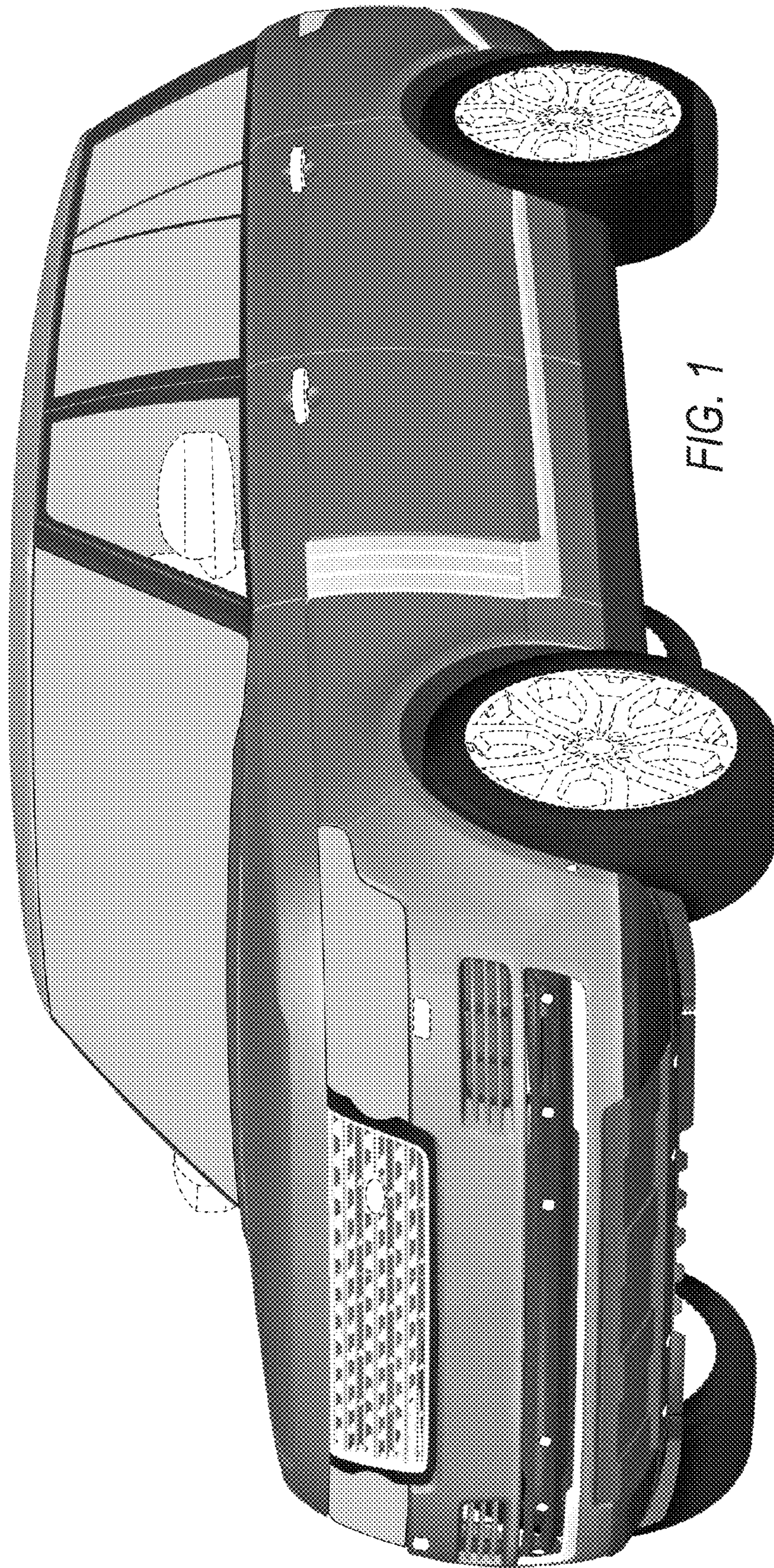


FIG. 1

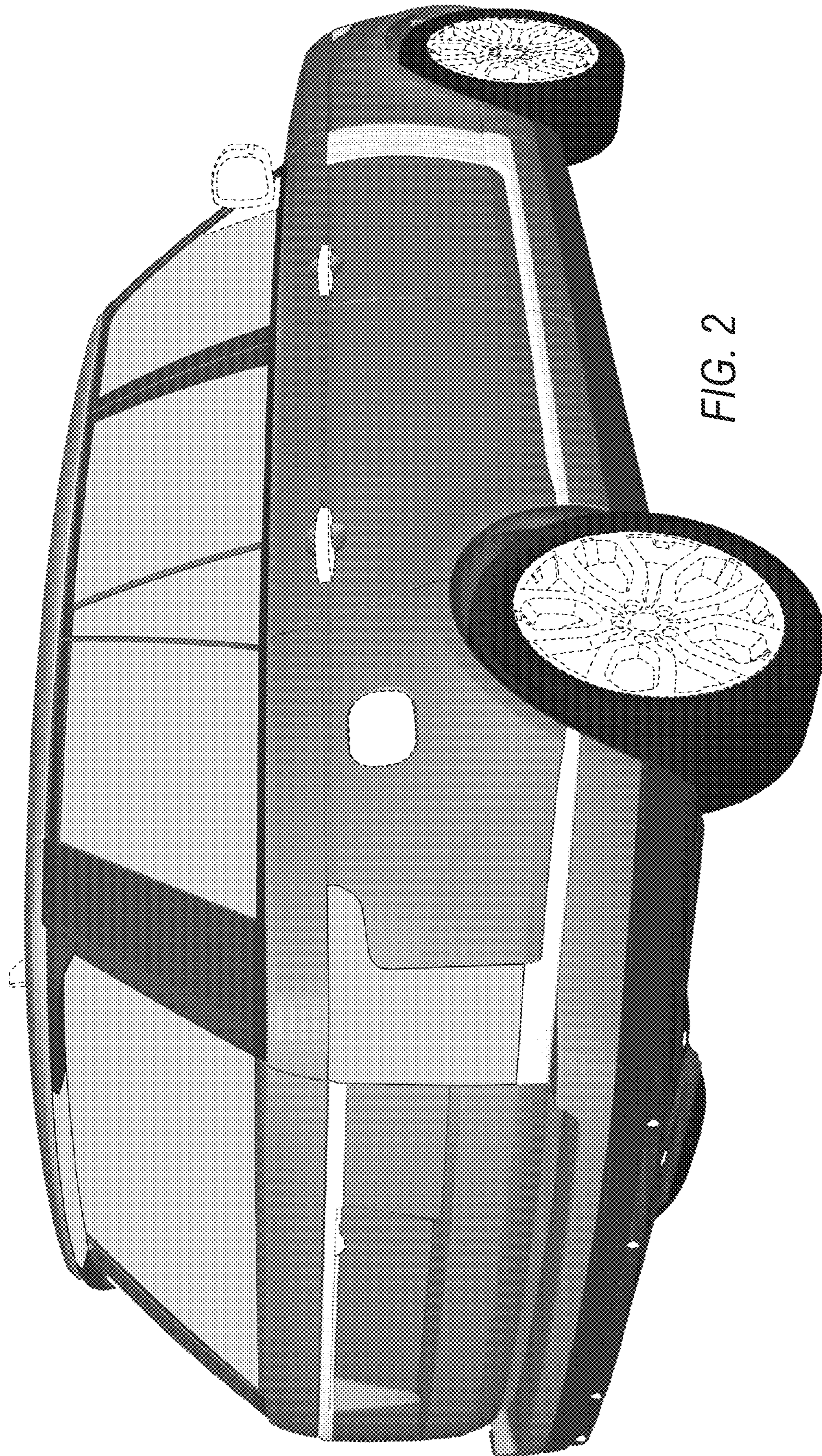


FIG. 2

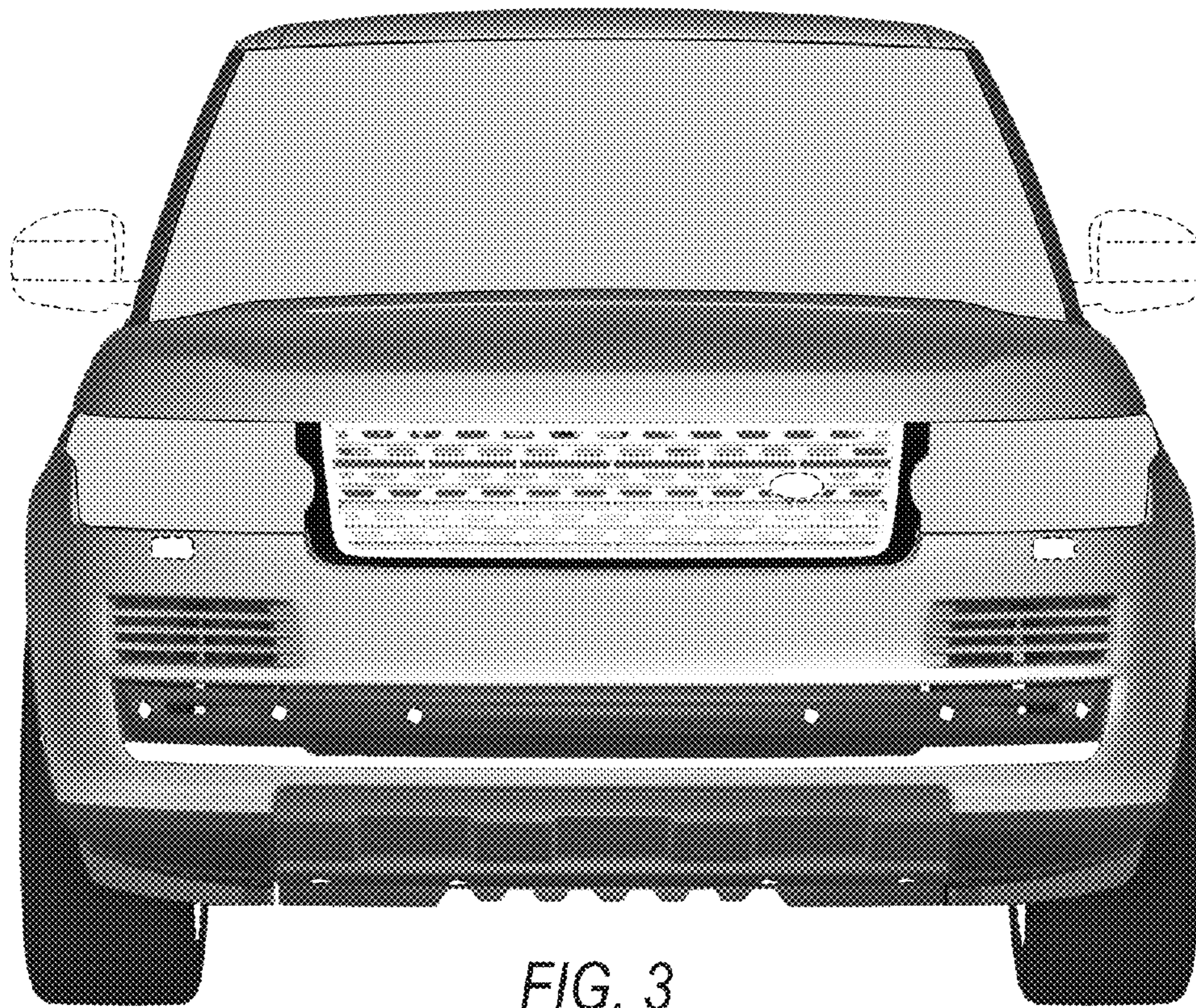


FIG. 3



FIG. 4

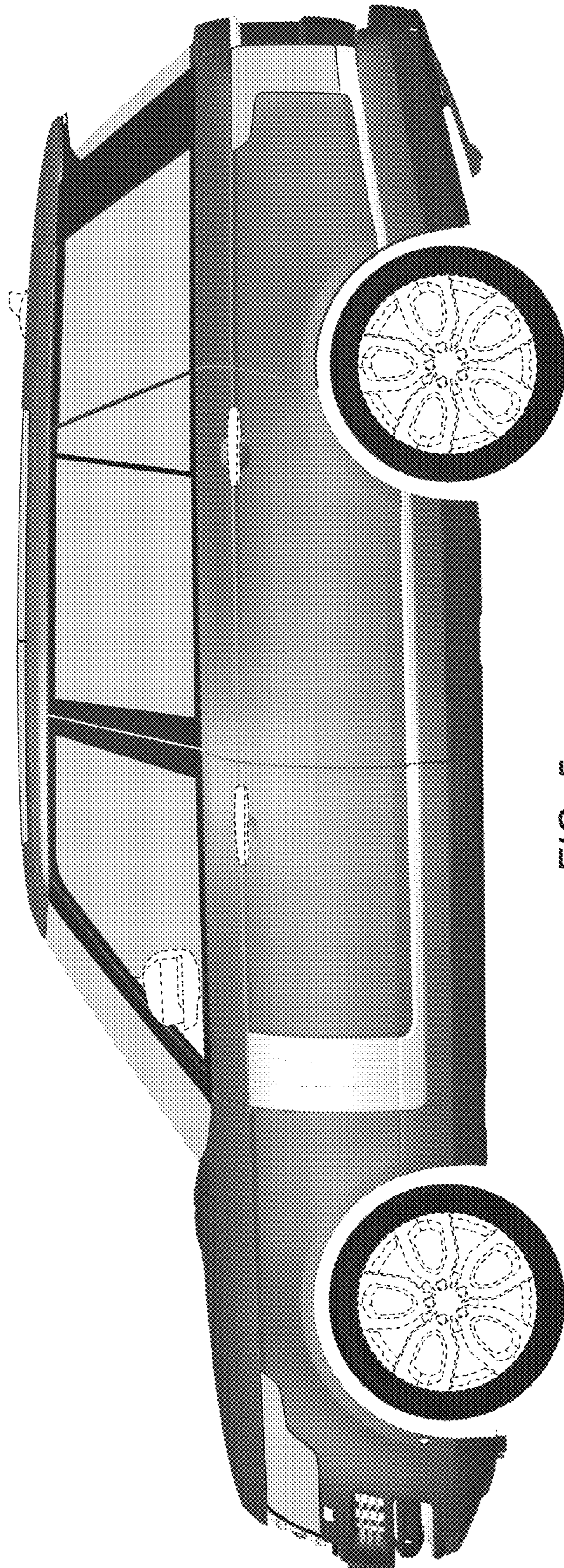


FIG. 5

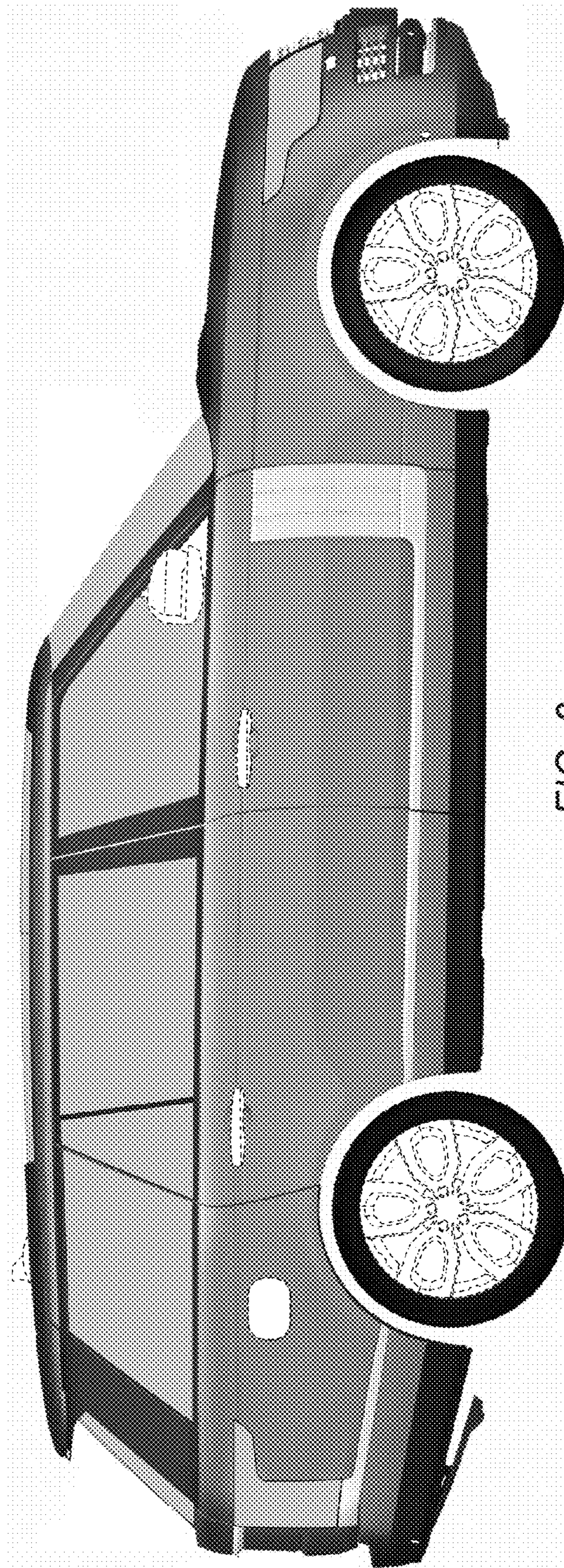


FIG. 6

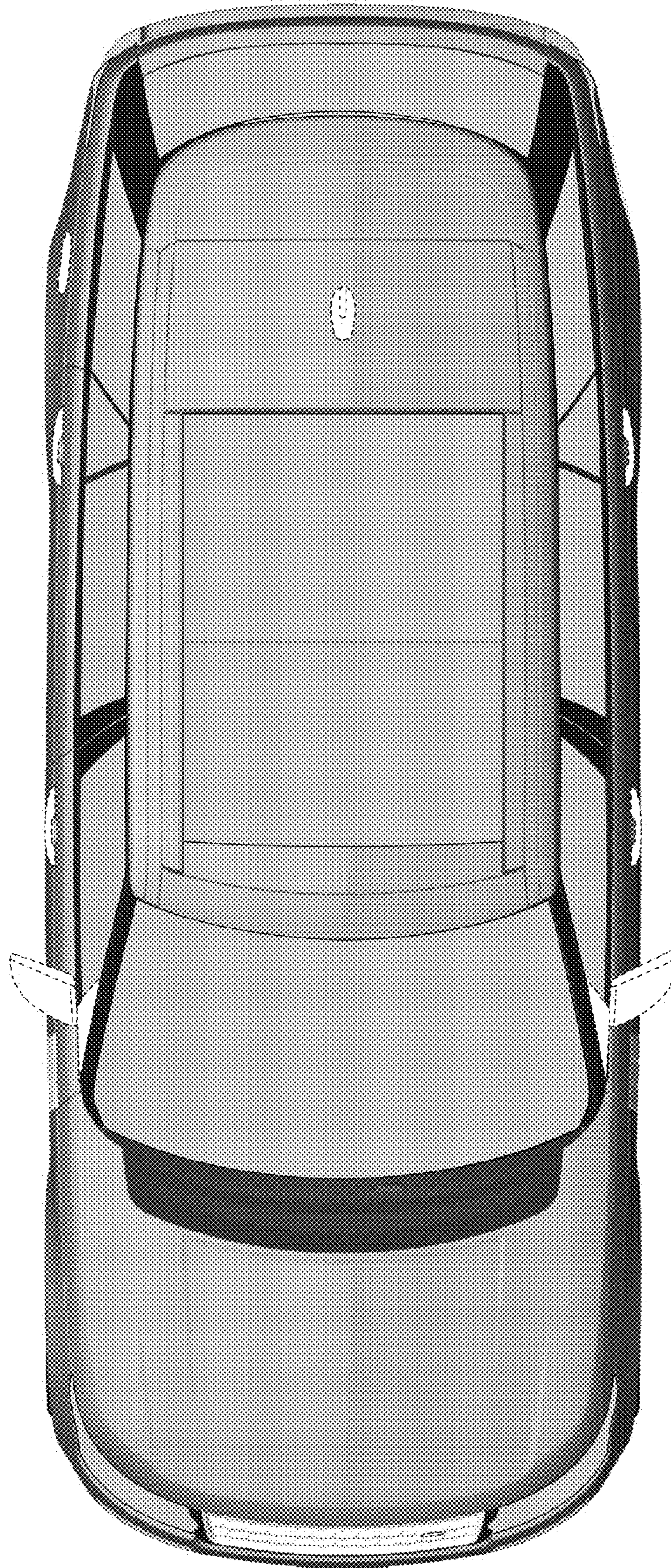


FIG. 7

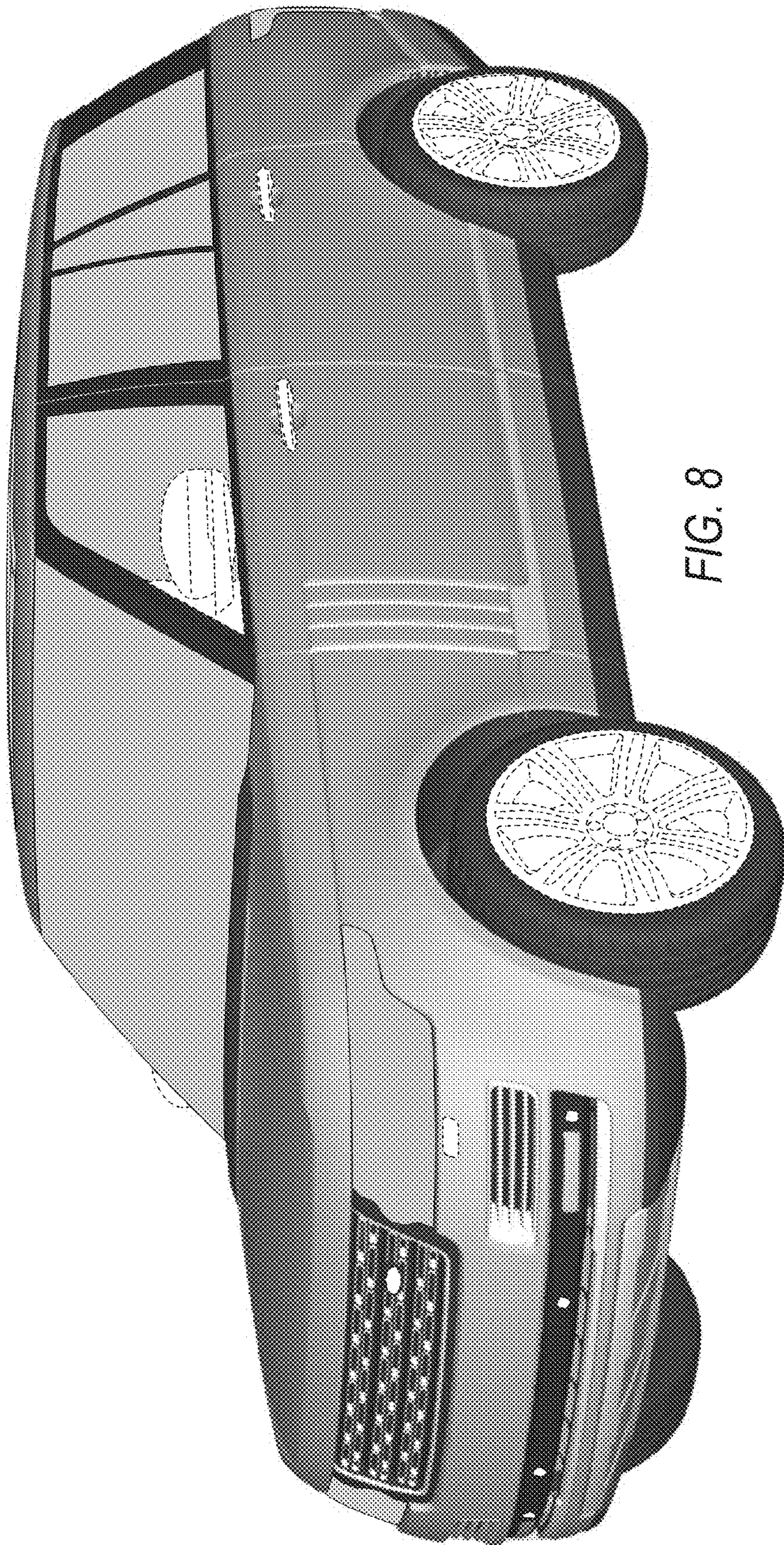


FIG. 8

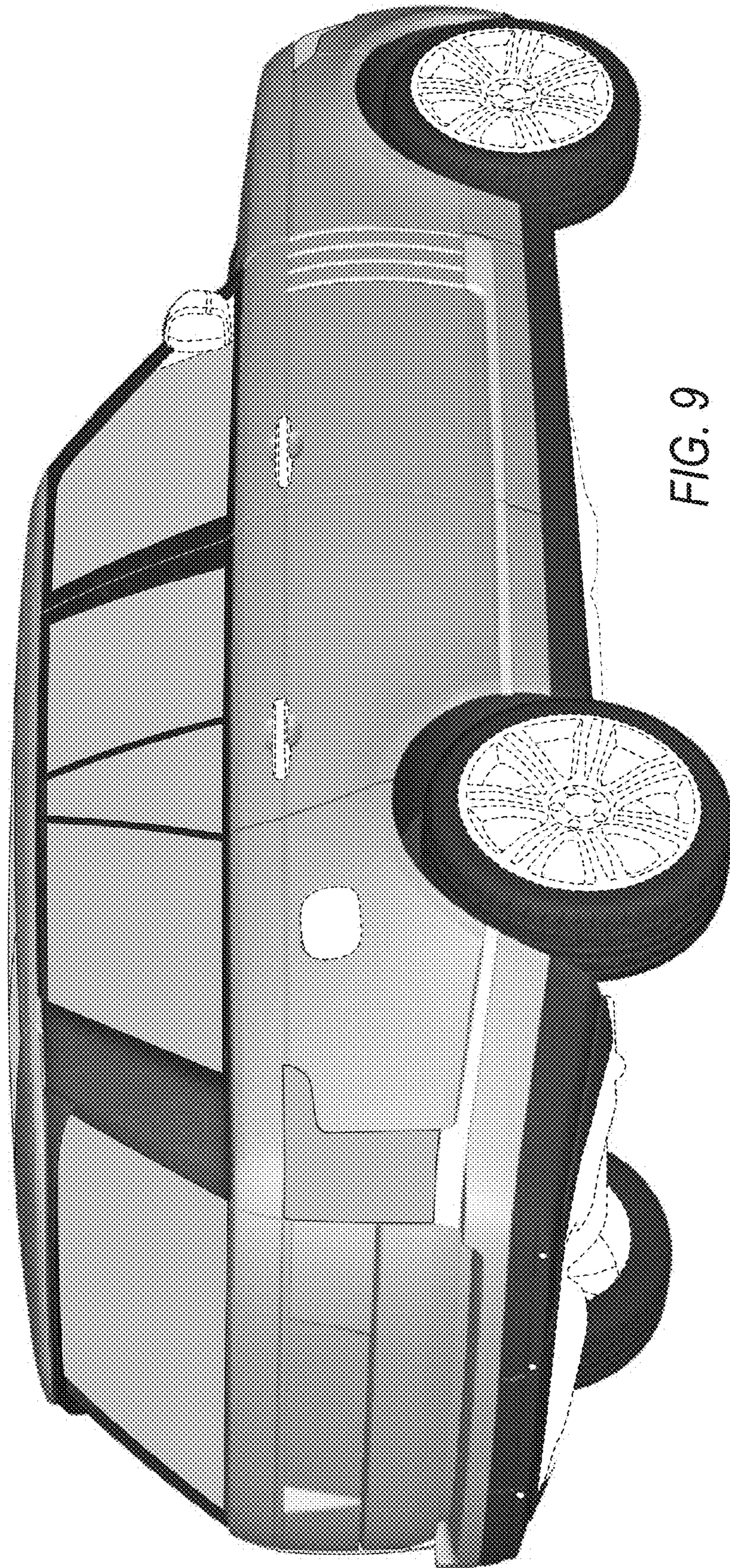


FIG. 9

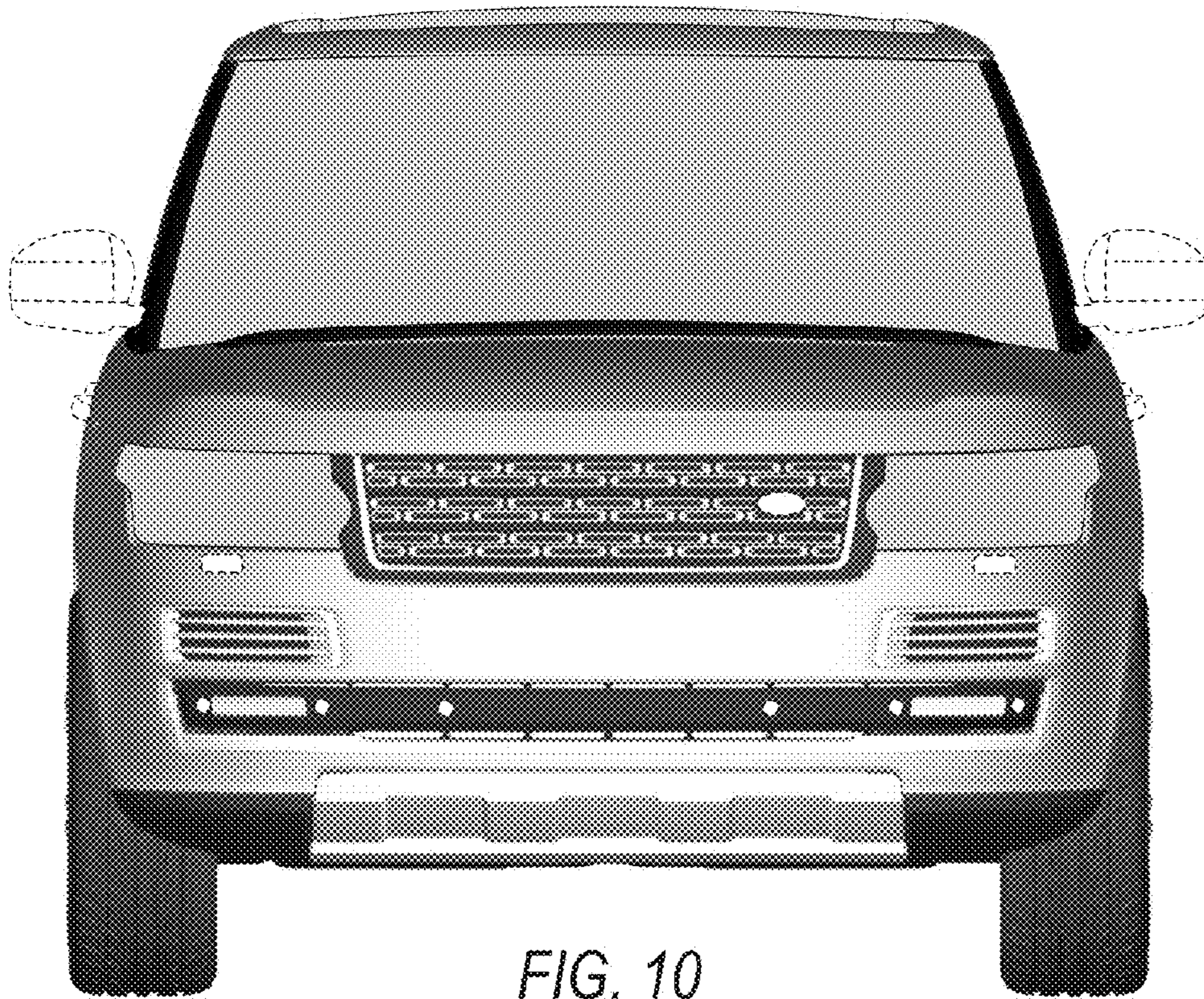


FIG. 10

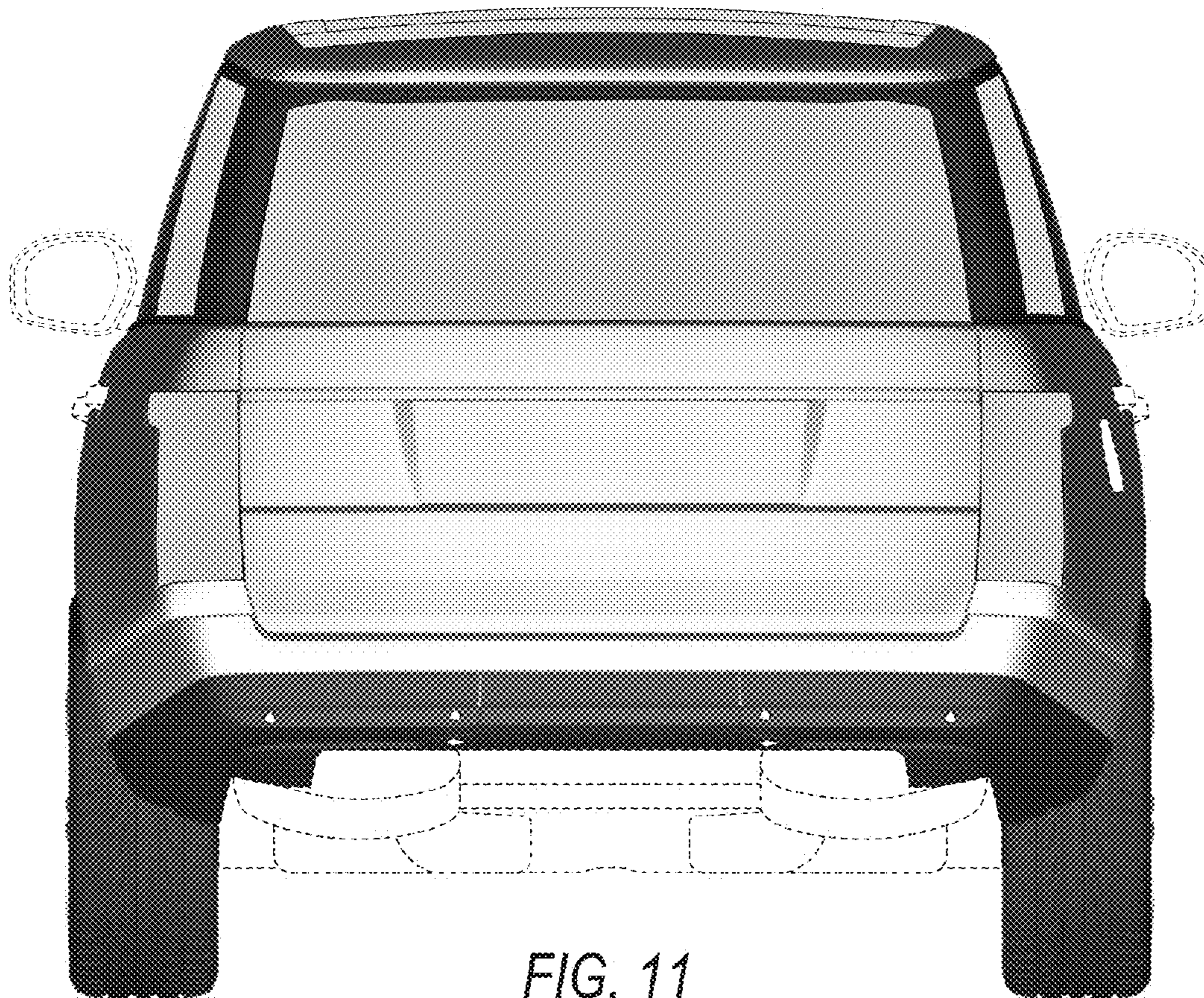


FIG. 11

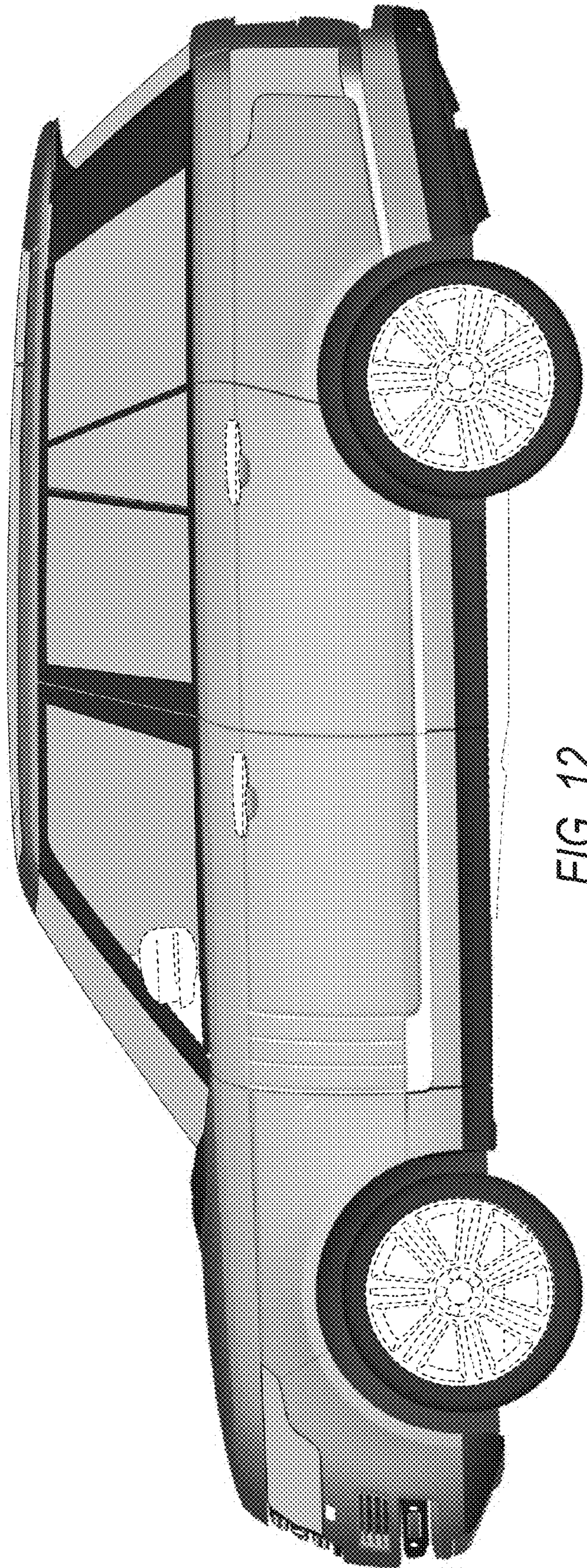


FIG. 12

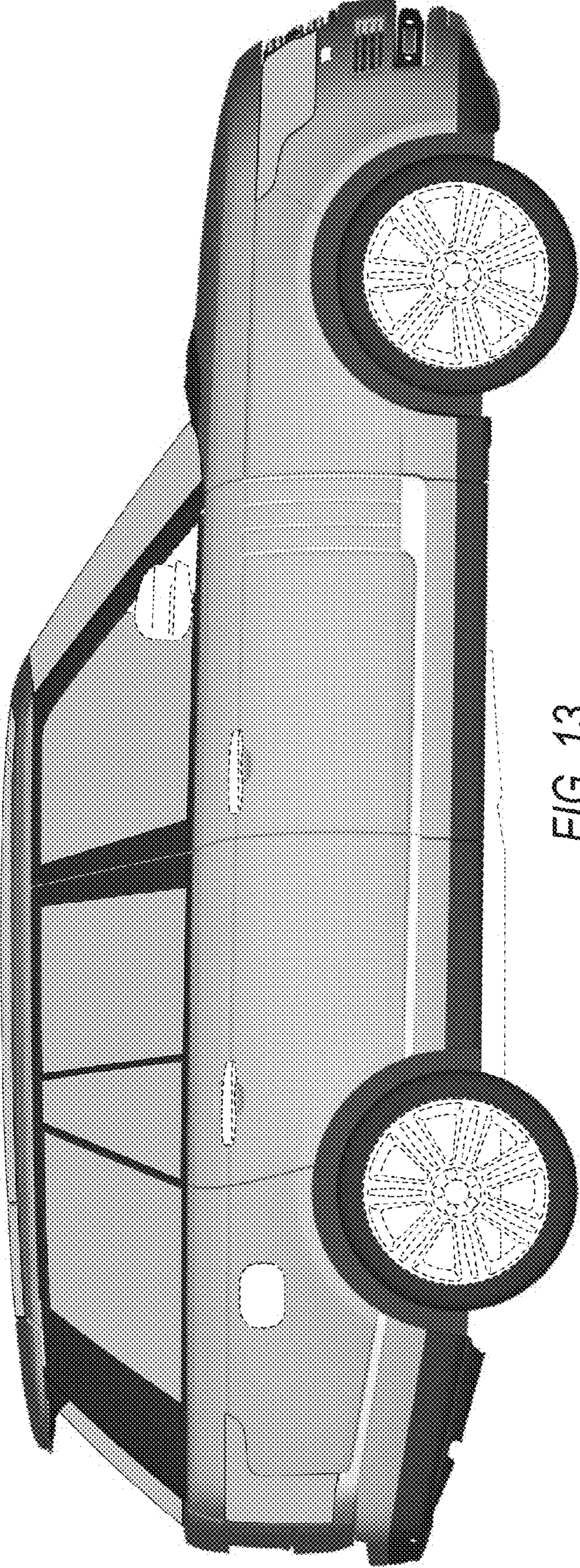


FIG. 13

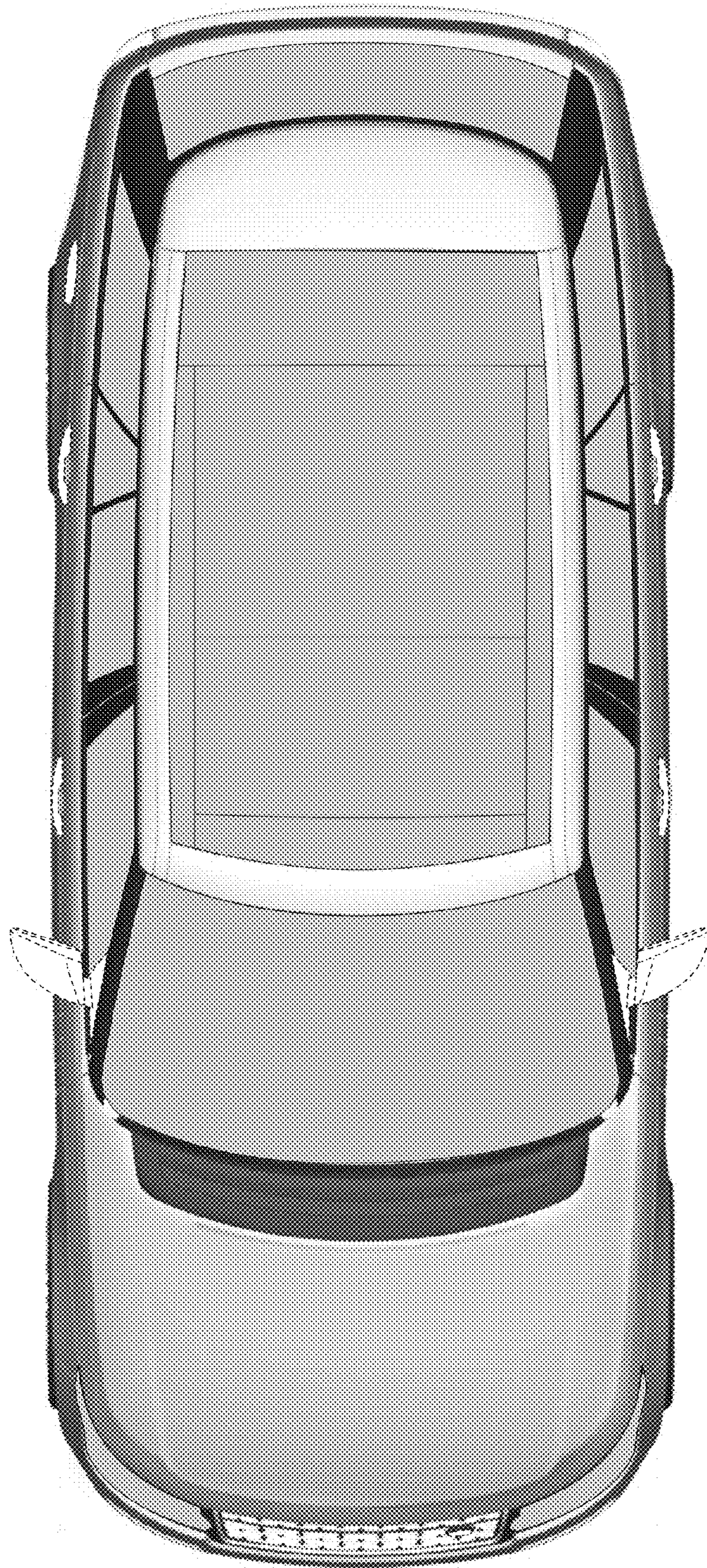


FIG. 14