



US00D750530S

(12) **United States Design Patent**
VanHoutin et al.

(10) **Patent No.:** **US D750,530 S**
(45) **Date of Patent:** **** Mar. 1, 2016**

- (54) **CHIN STRAP BUCKLE SLEEVE**
- (71) Applicant: **KRANOS IP CORPORATION**,
Litchfield, IL (US)
- (72) Inventors: **Louis Anthony VanHoutin**, Luka, IL
(US); **Norman M. Halpin**, Carlinville,
IL (US); **Cortney Warmouth**,
Edwardsville, IL (US); **Robert Erb**,
Plandome, NY (US)
- (73) Assignee: **KRANOS IP CORPORATION**,
Litchfield, IL (US)
- (**) Term: **14 Years**
- (21) Appl. No.: **29/525,599**
- (22) Filed: **Apr. 30, 2015**
- (51) **LOC (10) Cl.** **02-07**
- (52) **U.S. Cl.**
USPC **D11/218**
- (58) **Field of Classification Search**
USPC D11/1-2, 200-201, 206-210, 214-218;
24/163 R, 169-171, 173, 177-179, 191,
24/194-195, 197, 200, 614-616, 625, 198,
24/578.11, 578.1, 163 K, 114, 324; 2/334,
2/421
CPC A44B 11/04; A44B 11/00; A42B 7/00
See application file for complete search history.

- D486,093 S * 2/2004 Tobergte D11/218
- D608,688 S * 1/2010 Dalzell D11/200
- D620,837 S * 8/2010 Schiebl D11/218
- D628,515 S * 12/2010 Schiebl D11/218
- 8,056,151 B2 * 11/2011 Bologna A42B 3/08
2/421
- D713,759 S * 9/2014 Guney D11/218
- D714,683 S * 10/2014 McEntyre D11/218

* cited by examiner

Primary Examiner — Ralf Seifert

(74) *Attorney, Agent, or Firm* — Notaro, Michalos &
Zaccaria P.C.

(57) **CLAIM**

The ornamental design for a chin strap buckle sleeve, as
shown and described.

DESCRIPTION

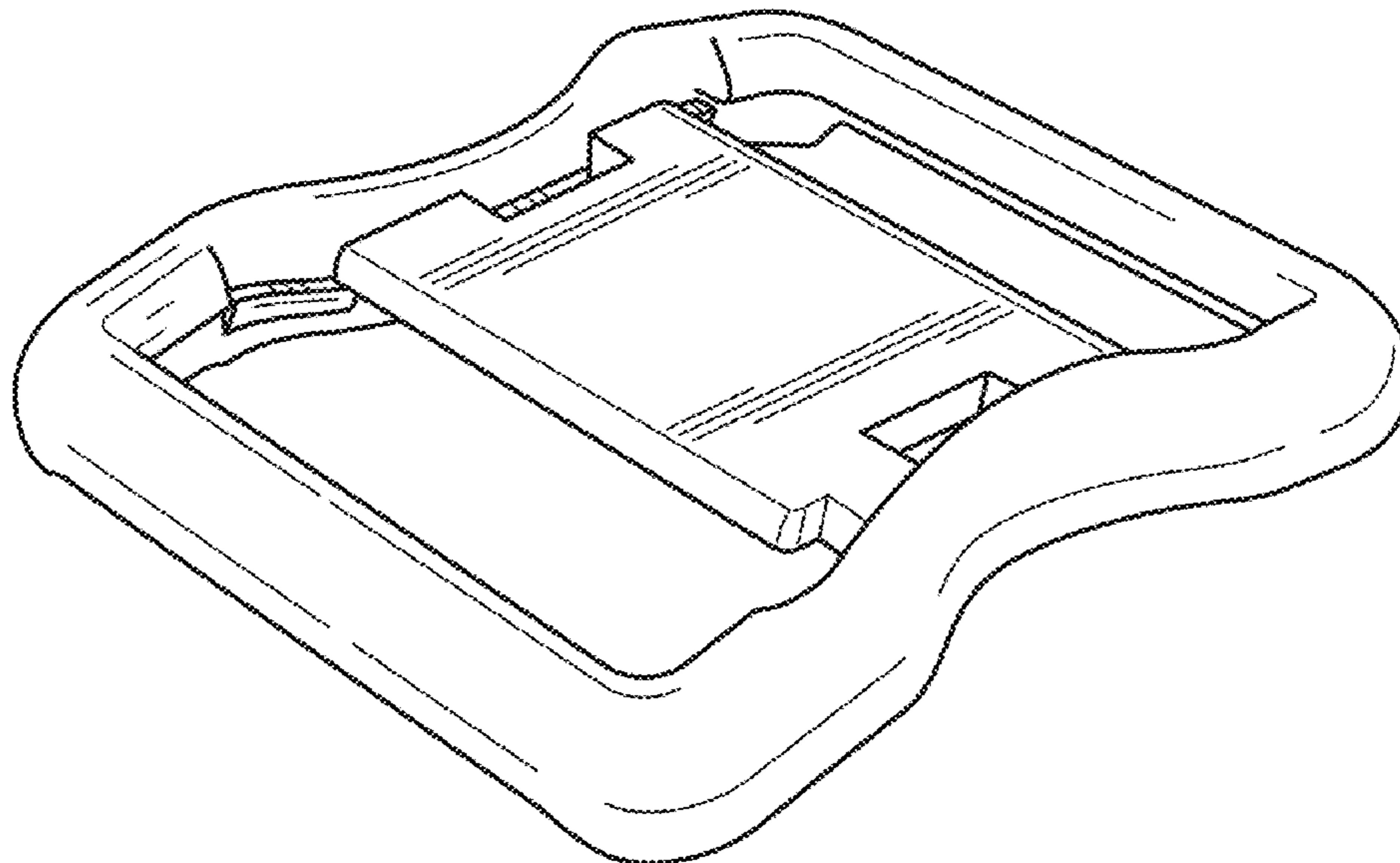
FIG. 1 is a front, top right perspective view of a chin strap
buckle sleeve showing our new design therefor;
FIG. 2 is a bottom, rear left perspective view thereof;
FIG. 3 is a left side elevational view thereof;
FIG. 4 is a right side elevational view thereof;
FIG. 5 is a top, front view thereof
FIG. 6 is a top, rear view thereof
FIG. 7 is a top plan view thereof;
FIG. 8 is a bottom plain view thereof; and,
FIG. 9 is a bottom, rear left perspective view thereof, with
dotted lines showing how a buckle may be located in the chin
strap buckle sleeve, the portion shown in dotted lines being
included for illustrative purposes only, and forms no part of
the claimed design.

1 Claim, 5 Drawing Sheets

(56) **References Cited**

U.S. PATENT DOCUMENTS

- 3,237,257 A * 3/1966 Forsberg A44B 11/006
24/324
- D301,566 S * 6/1989 Heiberger D11/218



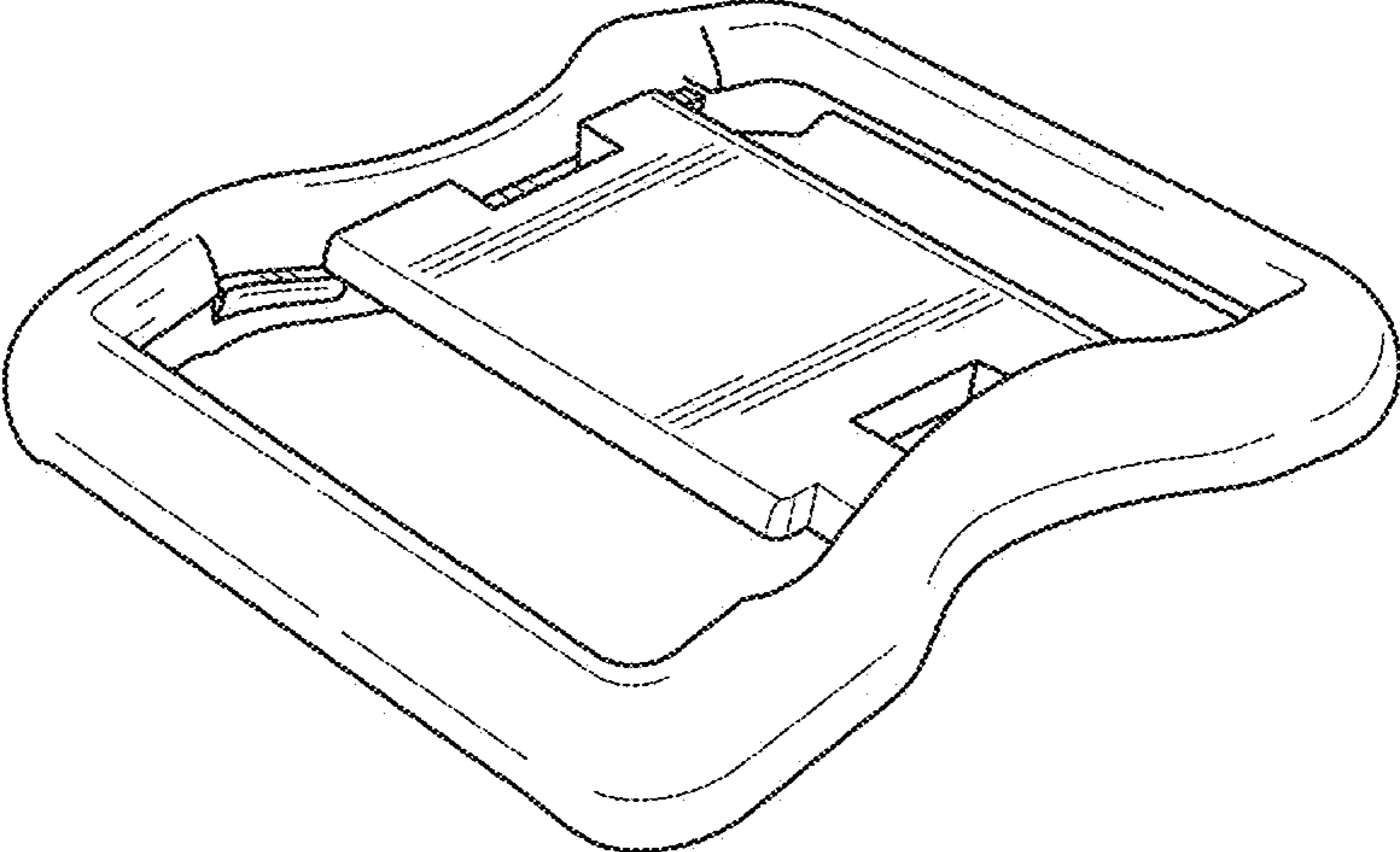


FIG. 1

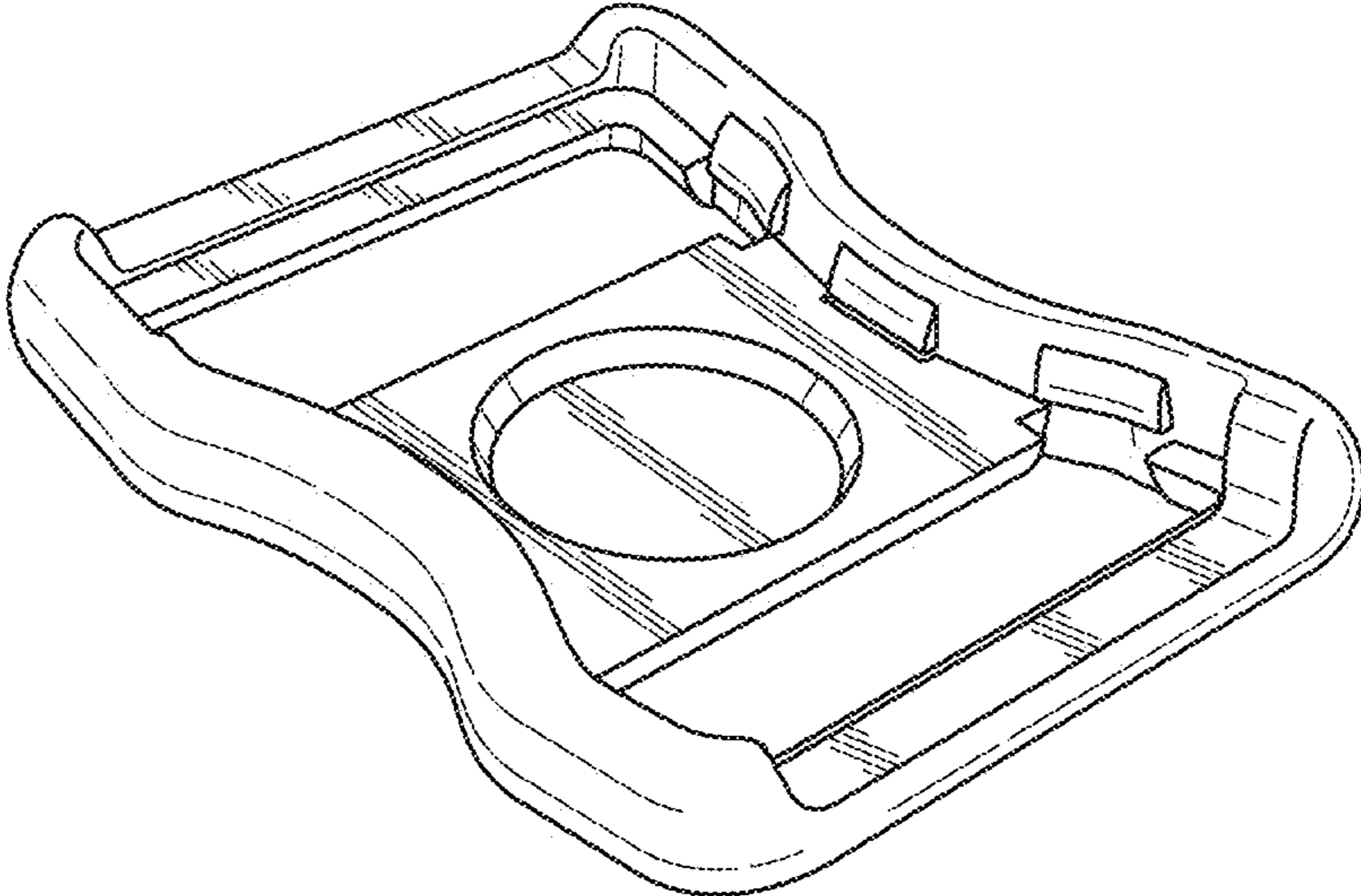


FIG. 2

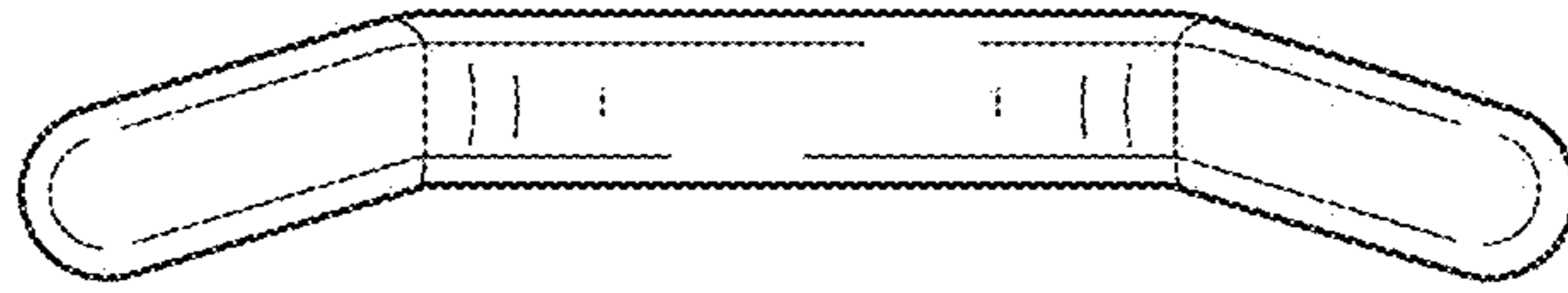


FIG. 3

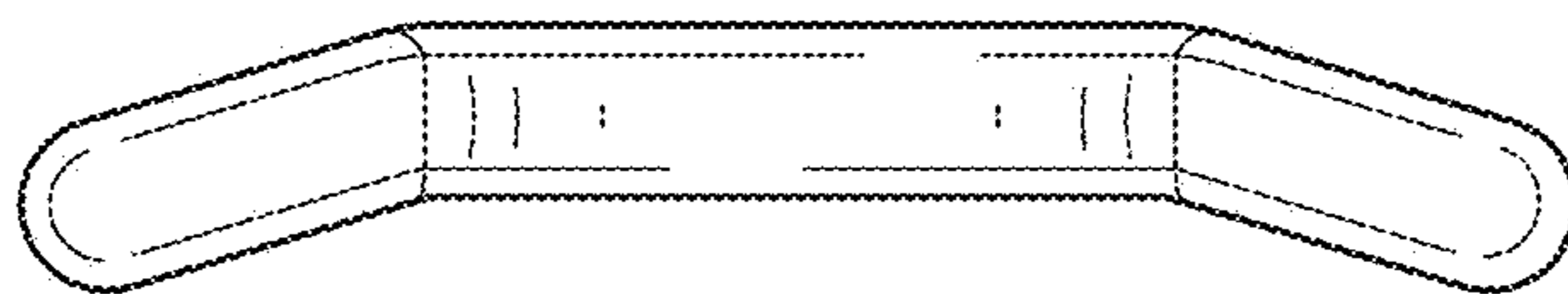


FIG. 4

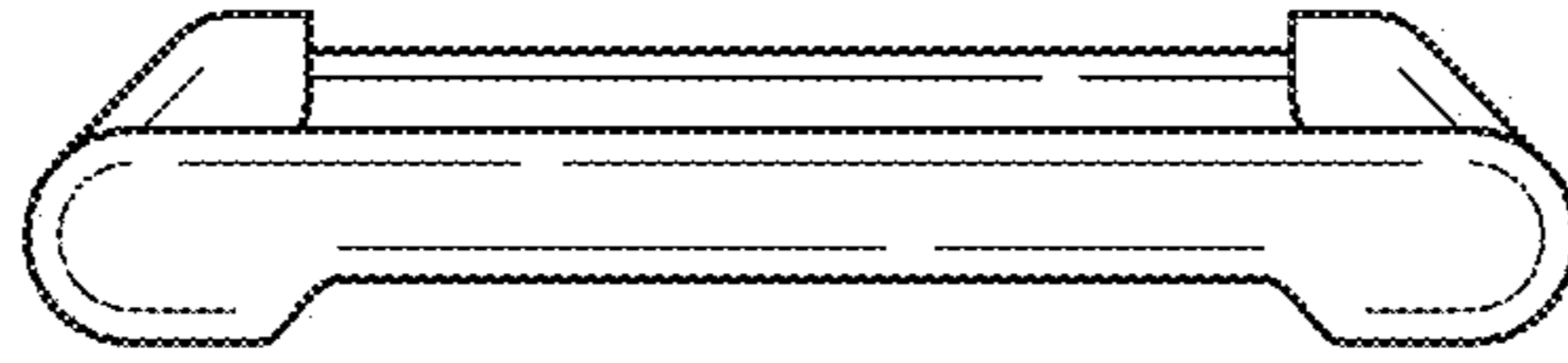


FIG. 5

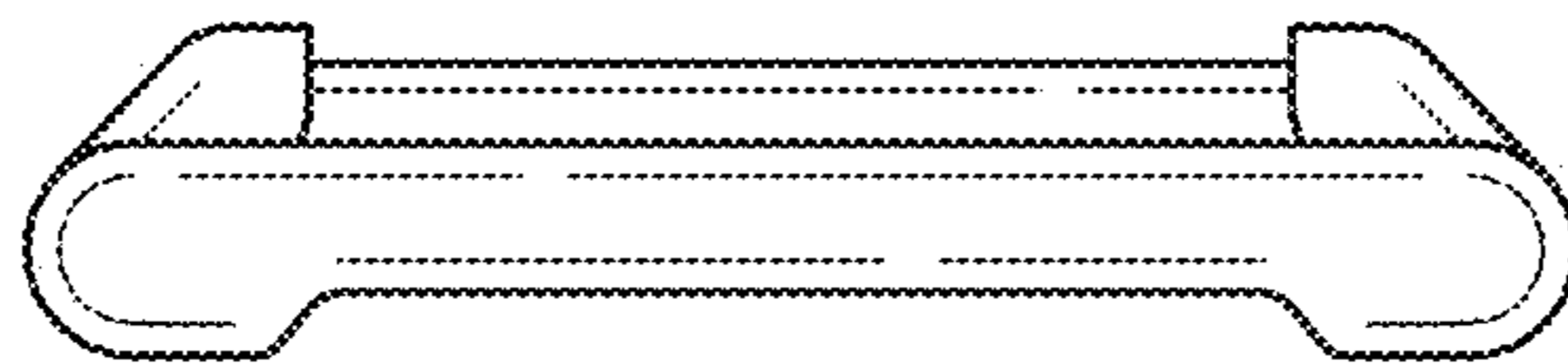


FIG. 6

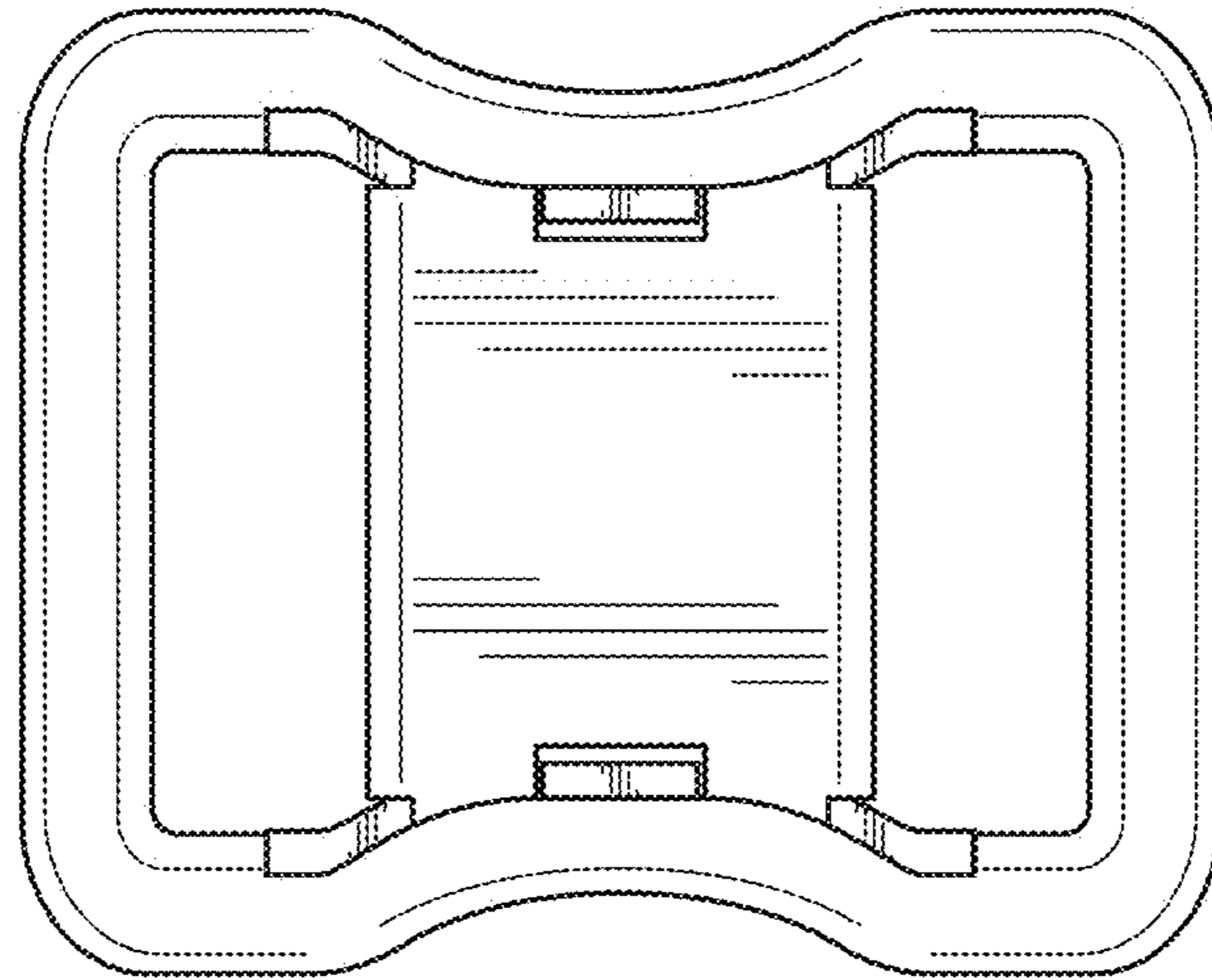


FIG. 7

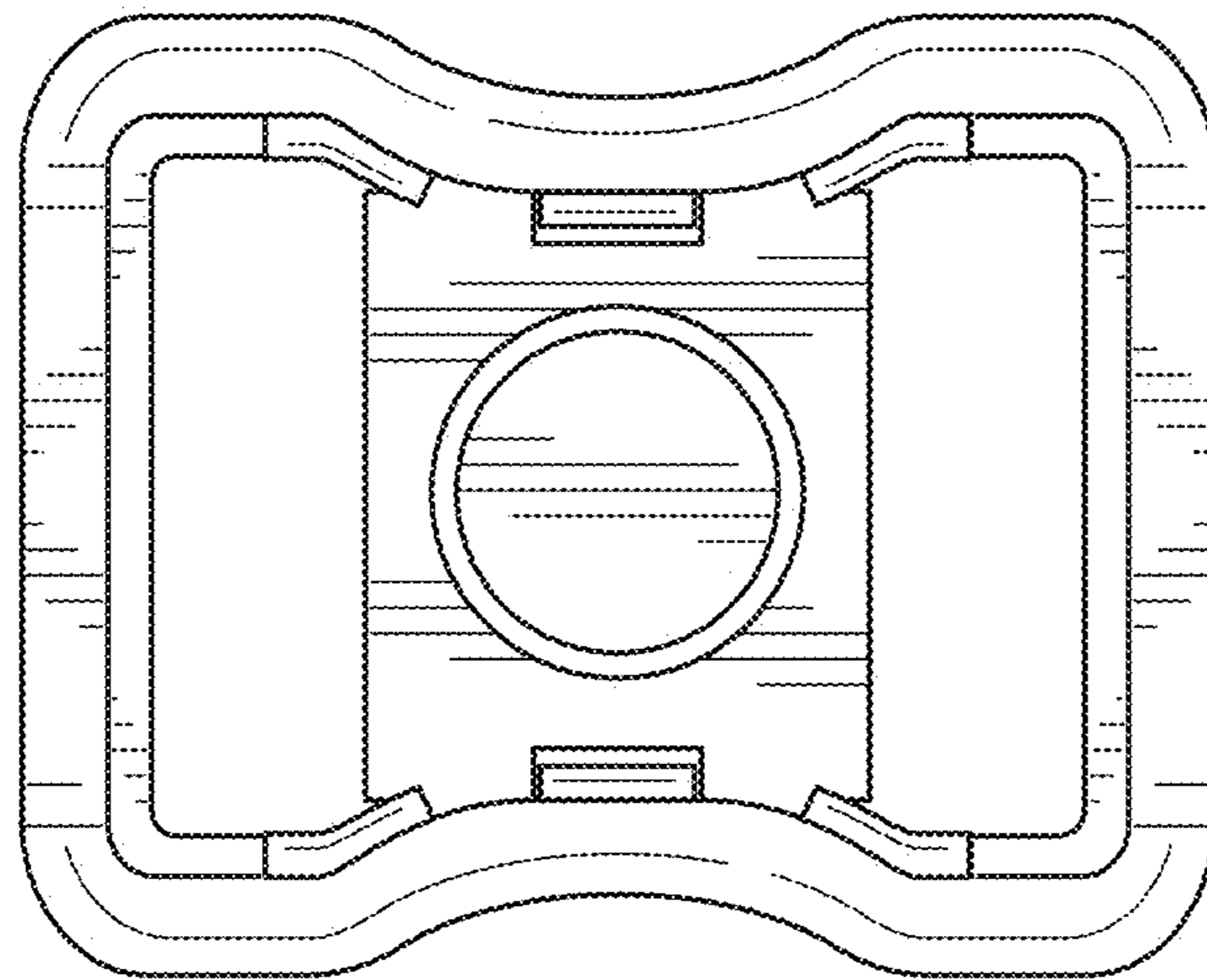


FIG. 8

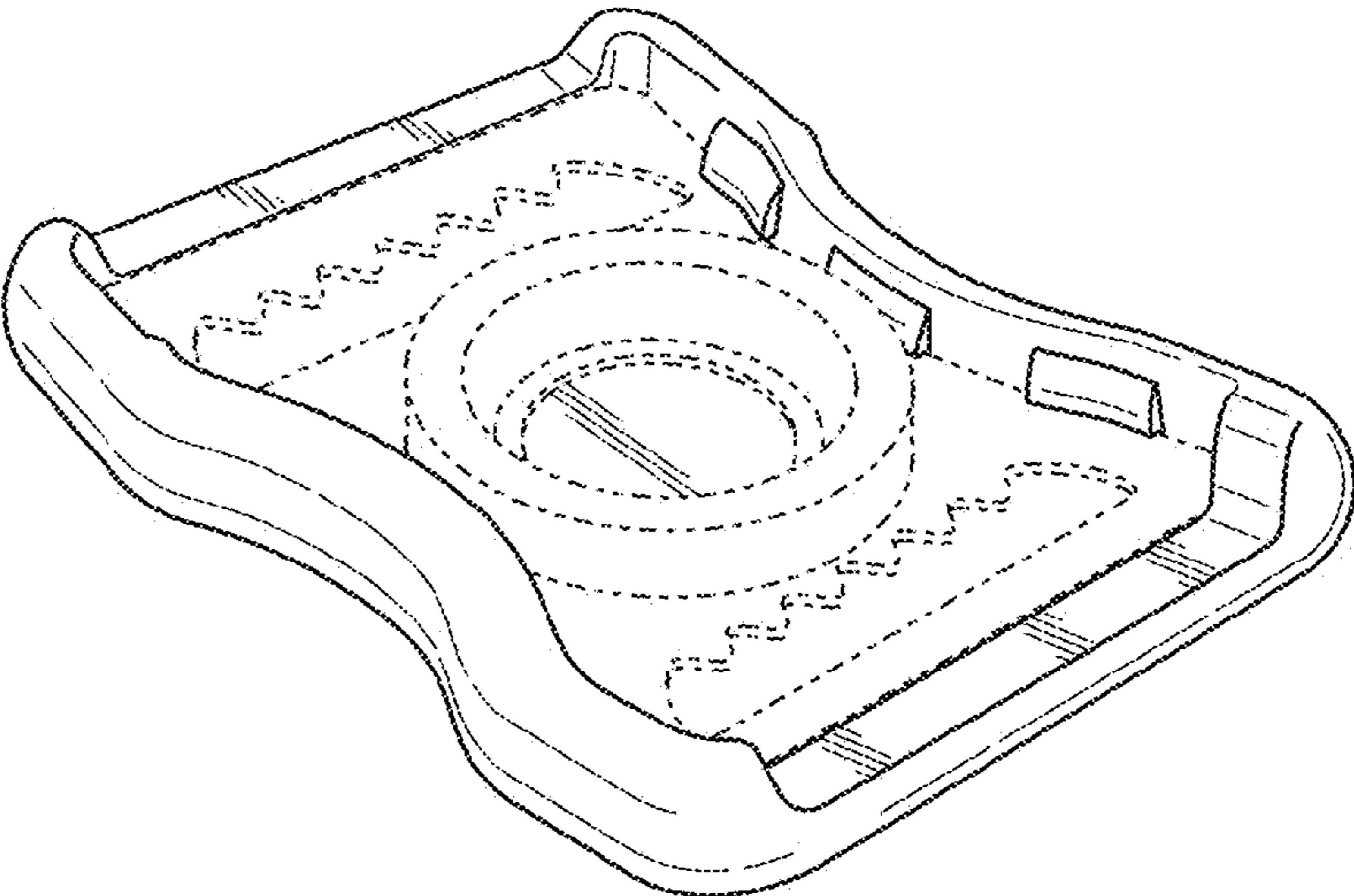


FIG. 9