



US00D750529S

(12) **United States Design Patent**
Power

(10) **Patent No.:** **US D750,529 S**
(45) **Date of Patent:** **** Mar. 1, 2016**

- (54) **FLAG MOUNTING DEVICE**
- (71) Applicant: **Douglas Power**, Norton, MA (US)
- (72) Inventor: **Douglas Power**, Norton, MA (US)
- (**) Term: **14 Years**
- (21) Appl. No.: **29/493,906**
- (22) Filed: **Jun. 14, 2014**
- (51) **LOC (10) Cl.** **11-05**
- (52) **U.S. Cl.**
USPC **D11/183**
- (58) **Field of Classification Search**
USPC D5/9, 21, 30, 41, 99; D11/165-173,
D11/175-183; D20/11, 19, 29, 36, 41, 42;
D21/573; D22/103; 40/218, 604;
42/71.01; 116/26, 173
CPC ... G09F 17/00; G09F 7/18; G09F 2017/0075;
F41B 7/08
See application file for complete search history.

5,275,366	A	1/1994	Simmons	
5,775,032	A *	7/1998	Lacy	52/28
6,811,132	B1 *	11/2004	Ferdinand et al.	248/538
6,857,614	B2	2/2005	Fox	
D514,177	S *	1/2006	Connerley	D21/699
7,115,820	B1 *	10/2006	Gretz	174/481
D639,206	S *	6/2011	Lach et al.	D11/182
8,438,802	B1	5/2013	Hay et al.	
8,453,373	B2	6/2013	Gordon	
8,479,679	B1	7/2013	Wiese	
2007/0044703	A1 *	3/2007	Vickroy	116/173

* cited by examiner

Primary Examiner — Karen S Acker
Assistant Examiner — Clare Ann Gannon
(74) *Attorney, Agent, or Firm* — Richard L Miller

(57) **CLAIM**
The ornamental design for a flag mounting device, as shown and described.

DESCRIPTION

FIG. 1 is a top plan view of a flag mounting device showing my new design;
FIG. 2 is a left side elevational view thereof;
FIG. 3 is a front elevational view thereof;
FIG. 4 is a right side elevational view thereof;
FIG. 5 is a bottom plan view thereof; and,
FIG. 6 is a rear elevational view thereof.
The broken lines in the drawings depict portions of the flag mounting device that form no part of the claimed design.

1 Claim, 2 Drawing Sheets

- (56) **References Cited**
U.S. PATENT DOCUMENTS
- | | | | | |
|-----------|-----|---------|----------------|-----------|
| 2,191,075 | A | 2/1940 | Hogan | |
| 2,261,527 | A * | 11/1941 | Shannon | 248/545 |
| D226,507 | S * | 3/1973 | Wright | D22/112 |
| 3,878,810 | A * | 4/1975 | Conrad | 116/28 R |
| 5,000,409 | A * | 3/1991 | MacLeod et al. | 248/205.1 |
| D340,676 | S * | 10/1993 | Gallagher | D11/182 |

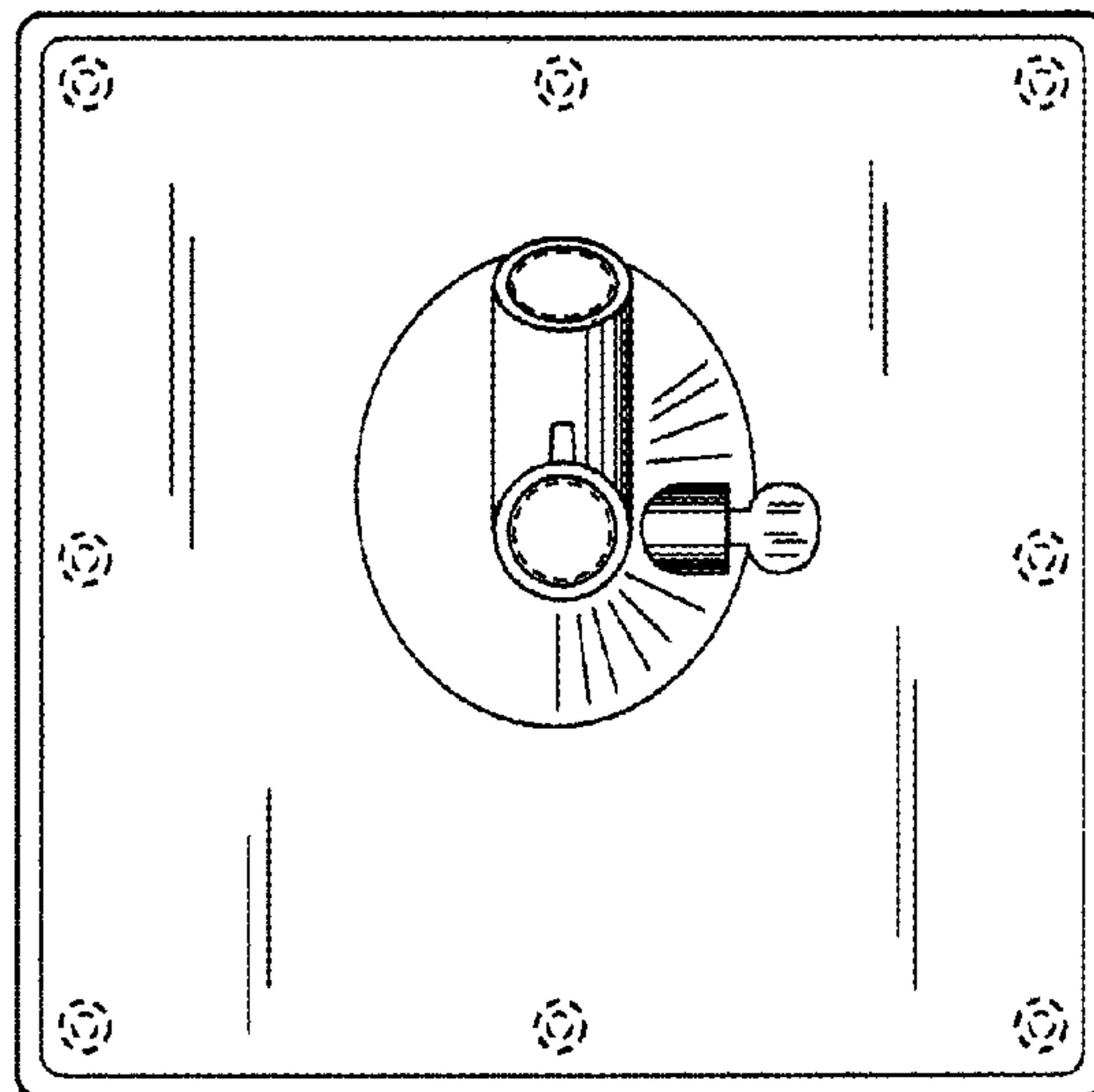


Fig. 1

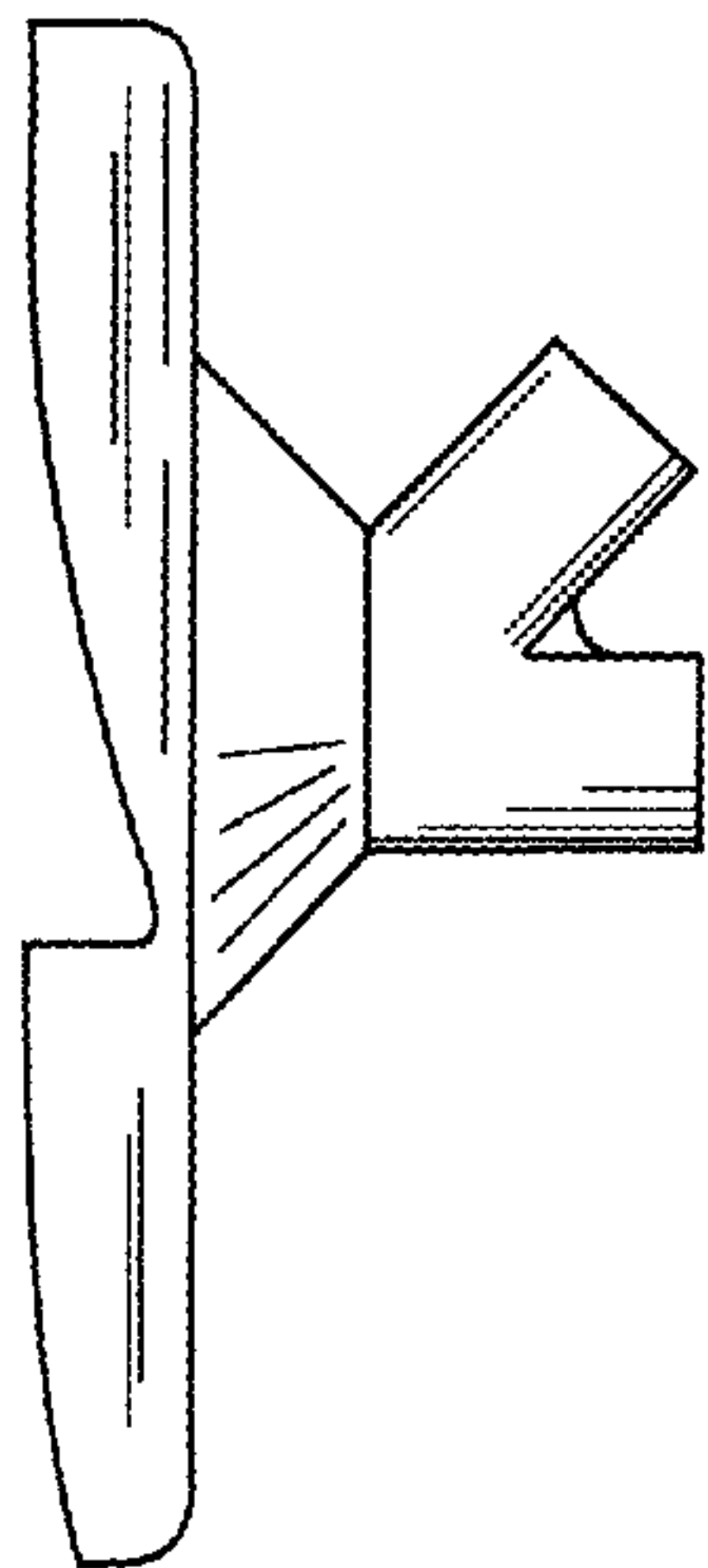
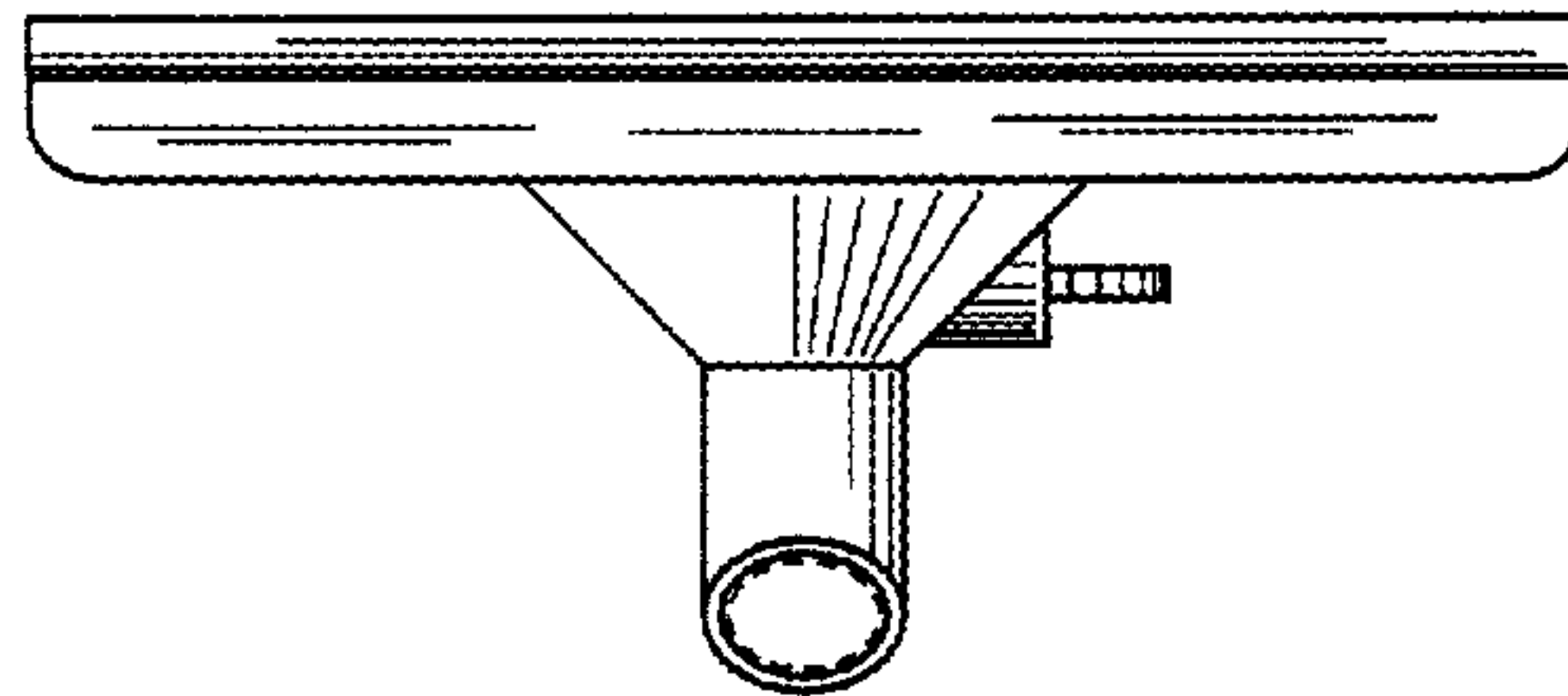


Fig. 2

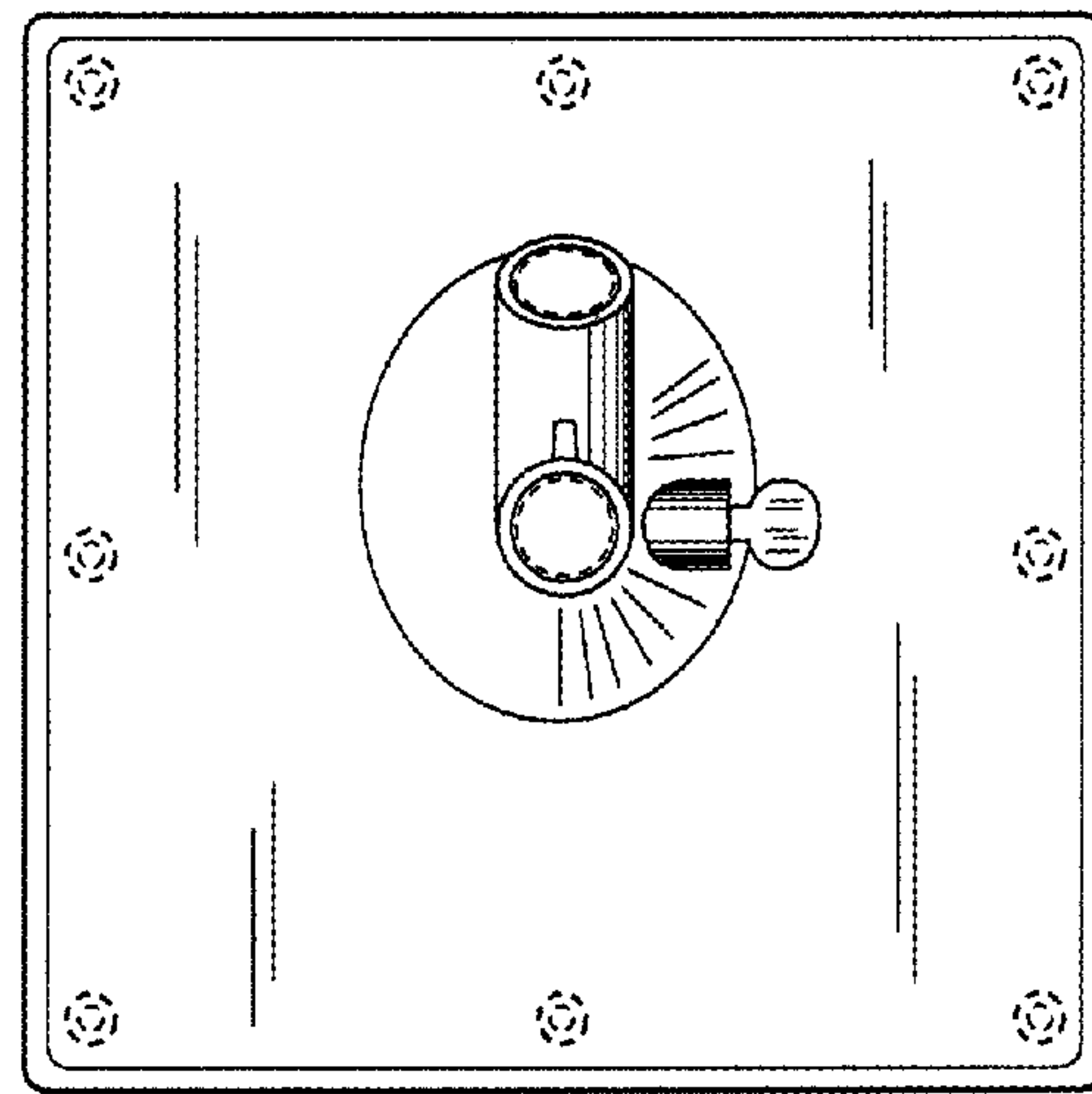


Fig. 3

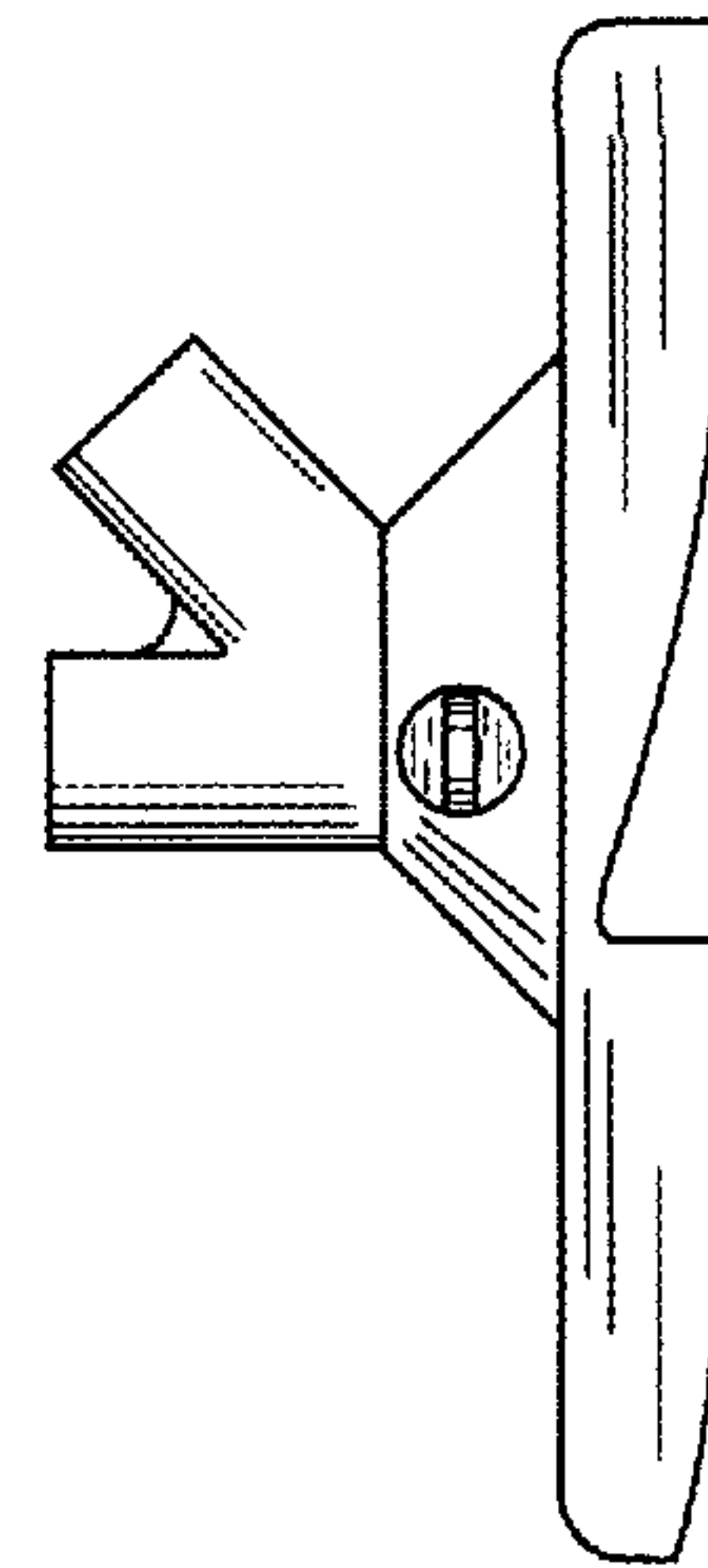
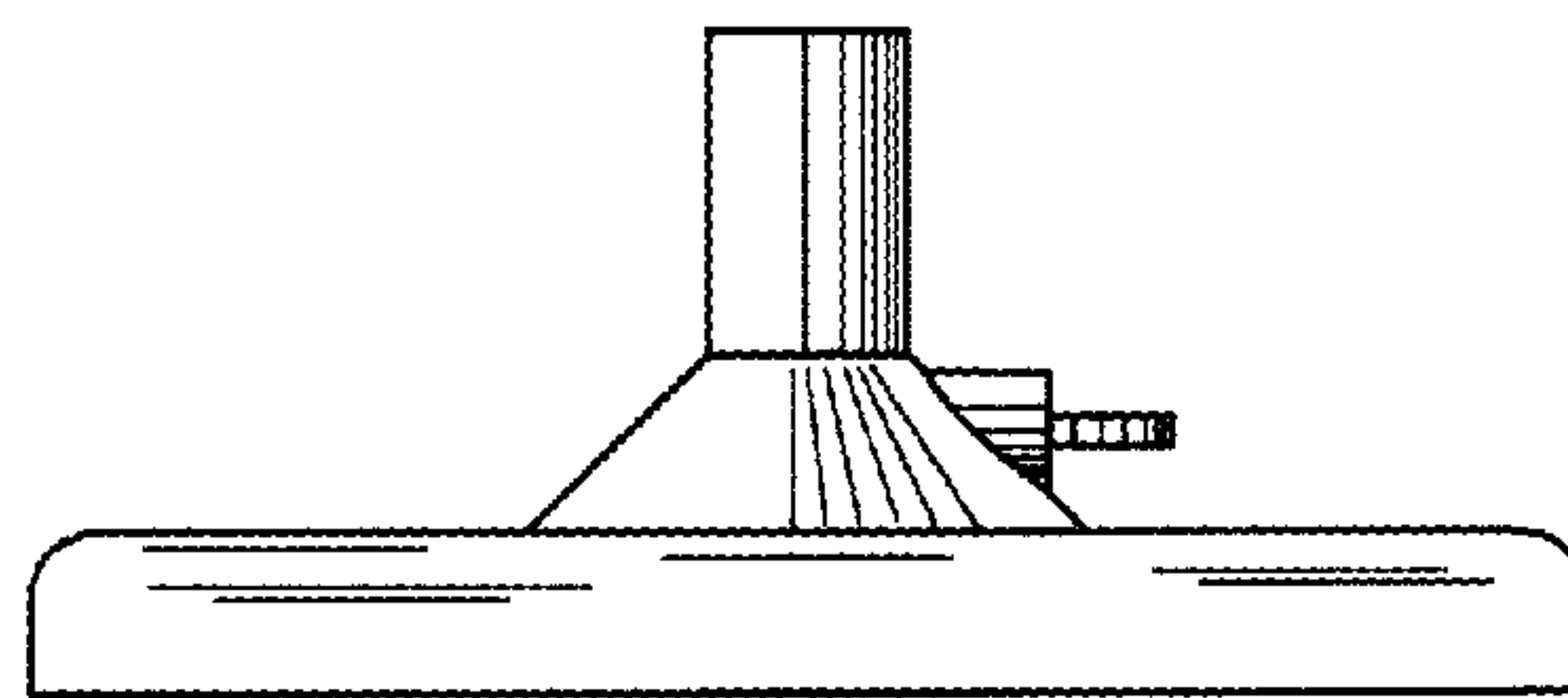


Fig. 4

Fig. 5



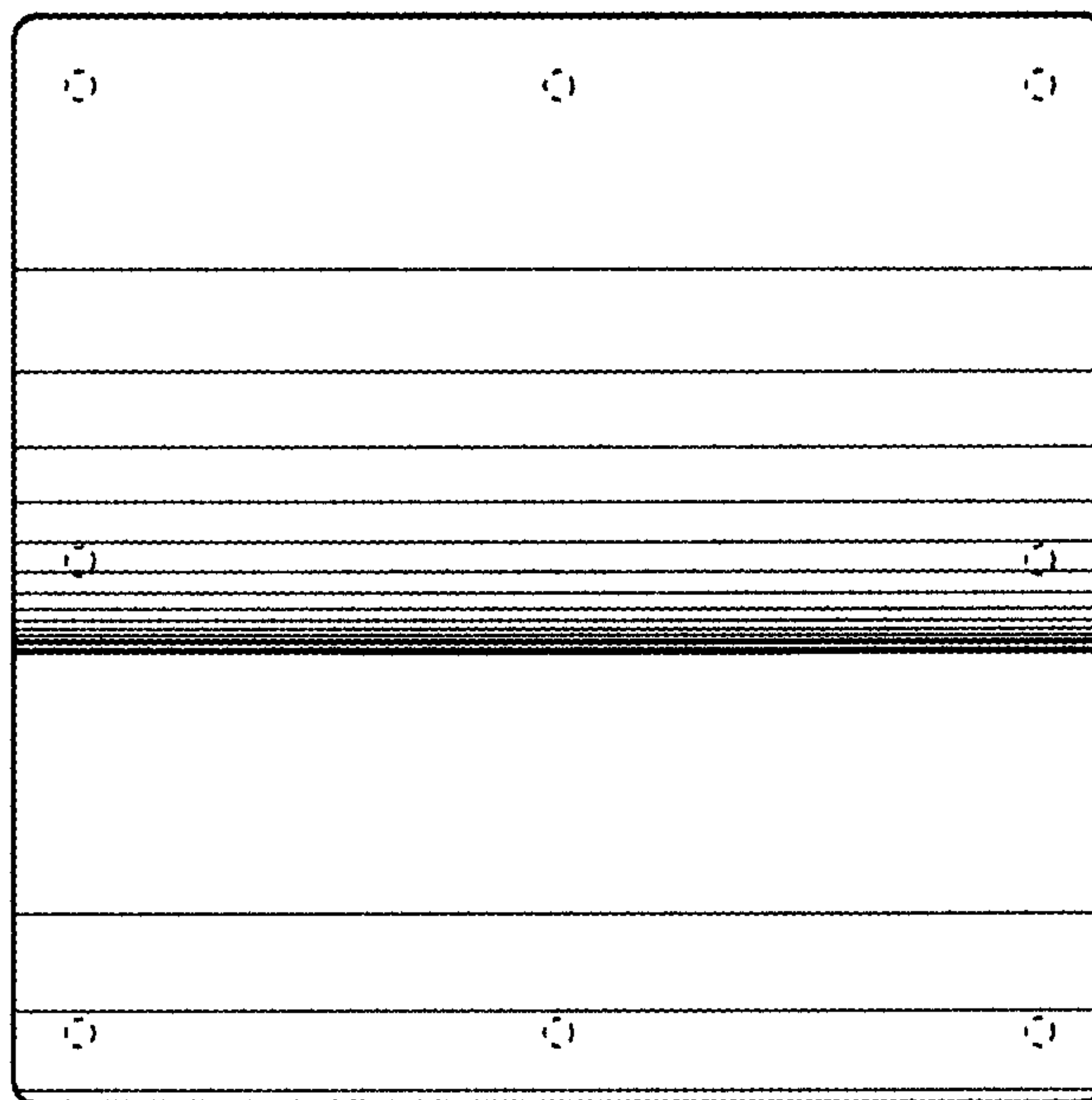


Fig. 6