



US00D750528S

(12) **United States Design Patent**  
**Landru**

(10) **Patent No.:** **US D750,528 S**  
(45) **Date of Patent:** **\*\* Mar. 1, 2016**

(54) **MULTIPLE CHAIN CLASP**

(71) Applicant: **Tiffany Regan Landru**, Crandon, WI  
(US)

(72) Inventor: **Tiffany Regan Landru**, Crandon, WI  
(US)

(\*\*) Term: **14 Years**

(21) Appl. No.: **29/463,640**

(22) Filed: **Mar. 10, 2014**

(51) **LOC (10) Cl.** ..... **11-01**

(52) **U.S. Cl.**  
USPC ..... **D11/87**

(58) **Field of Classification Search**  
USPC ..... D11/1-2, 7, 40-44, 46-49, 53, 56, 57,  
D11/59-61, 63, 65, 79-83, 86-87, 89-90,  
D11/91-92, 99, 101, 106, 114-116,  
D11/200-201; 63/18-20  
See application file for complete search history.

(56) **References Cited**

**U.S. PATENT DOCUMENTS**

1,813,963 A \* 7/1931 Schick ..... 24/616  
D168,816 S \* 2/1953 Young ..... D11/87

5,369,854 A \* 12/1994 Stephens ..... 24/587.11  
6,880,363 B2 \* 4/2005 Ma ..... 63/3.1  
7,350,376 B2 \* 4/2008 Couling ..... 63/3.1  
8,499,582 B1 \* 8/2013 Carter ..... 63/3.1  
D727,779 S \* 4/2015 Nolan ..... D11/87

\* cited by examiner

*Primary Examiner* — Zenia Bennett

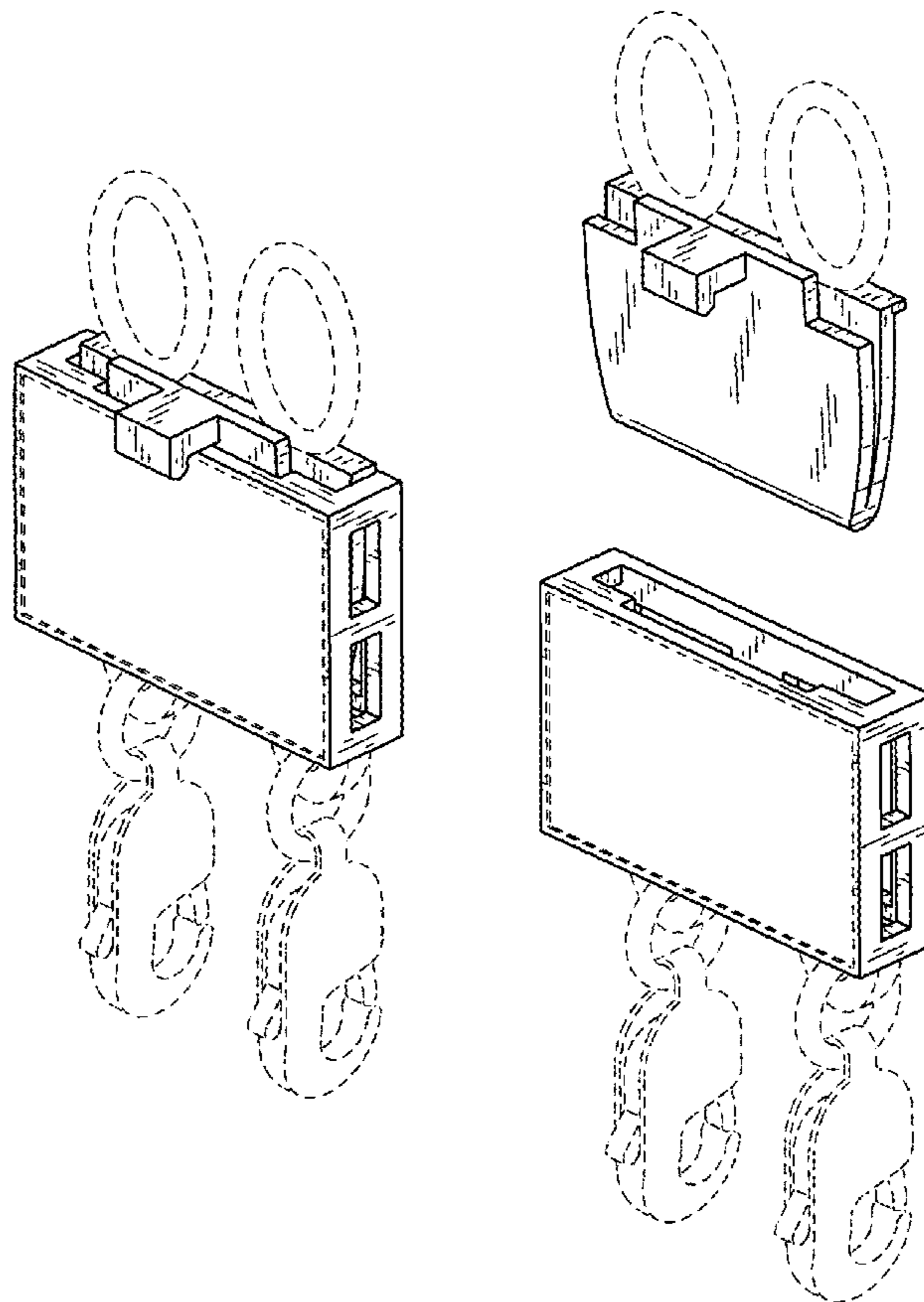
(57) **CLAIM**

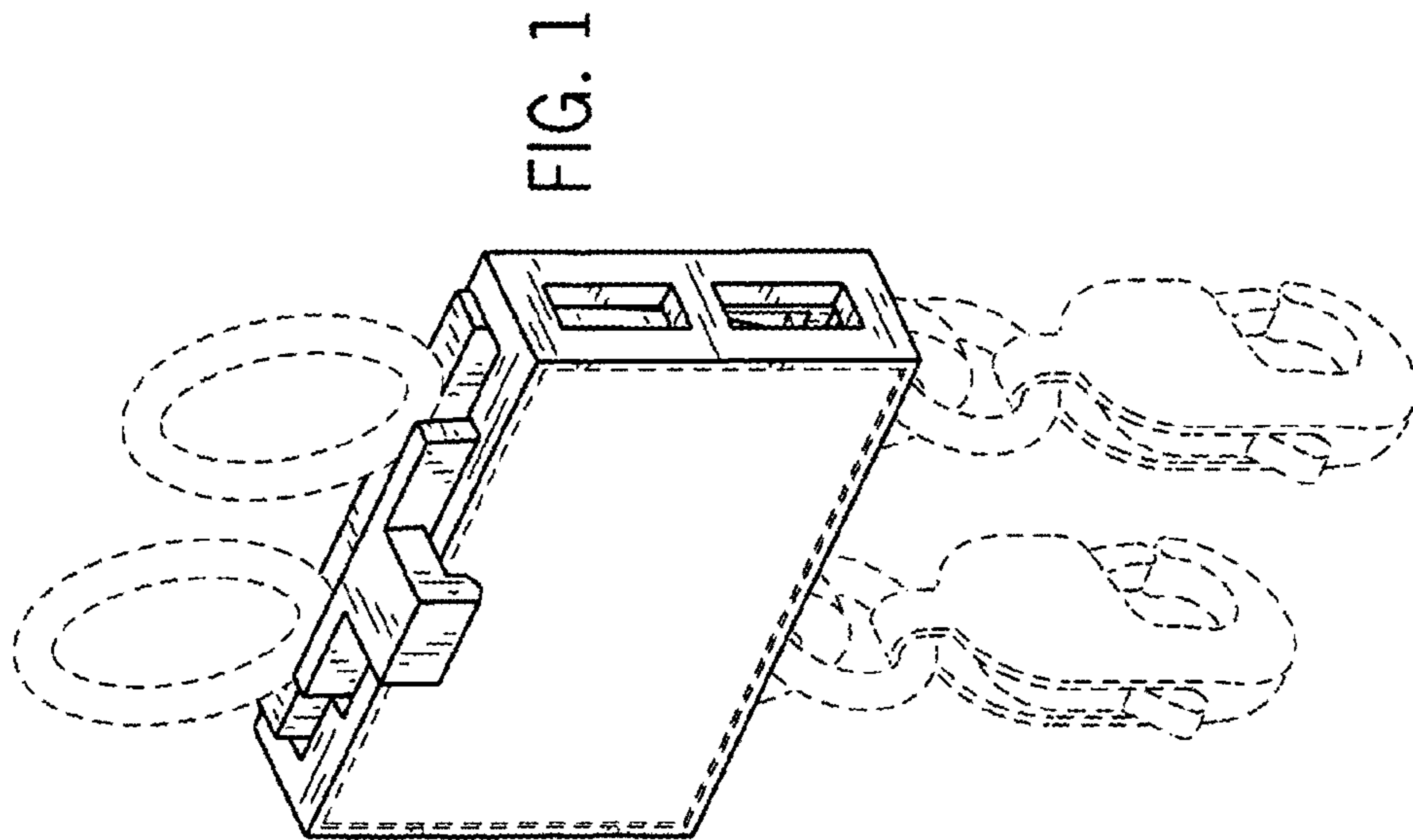
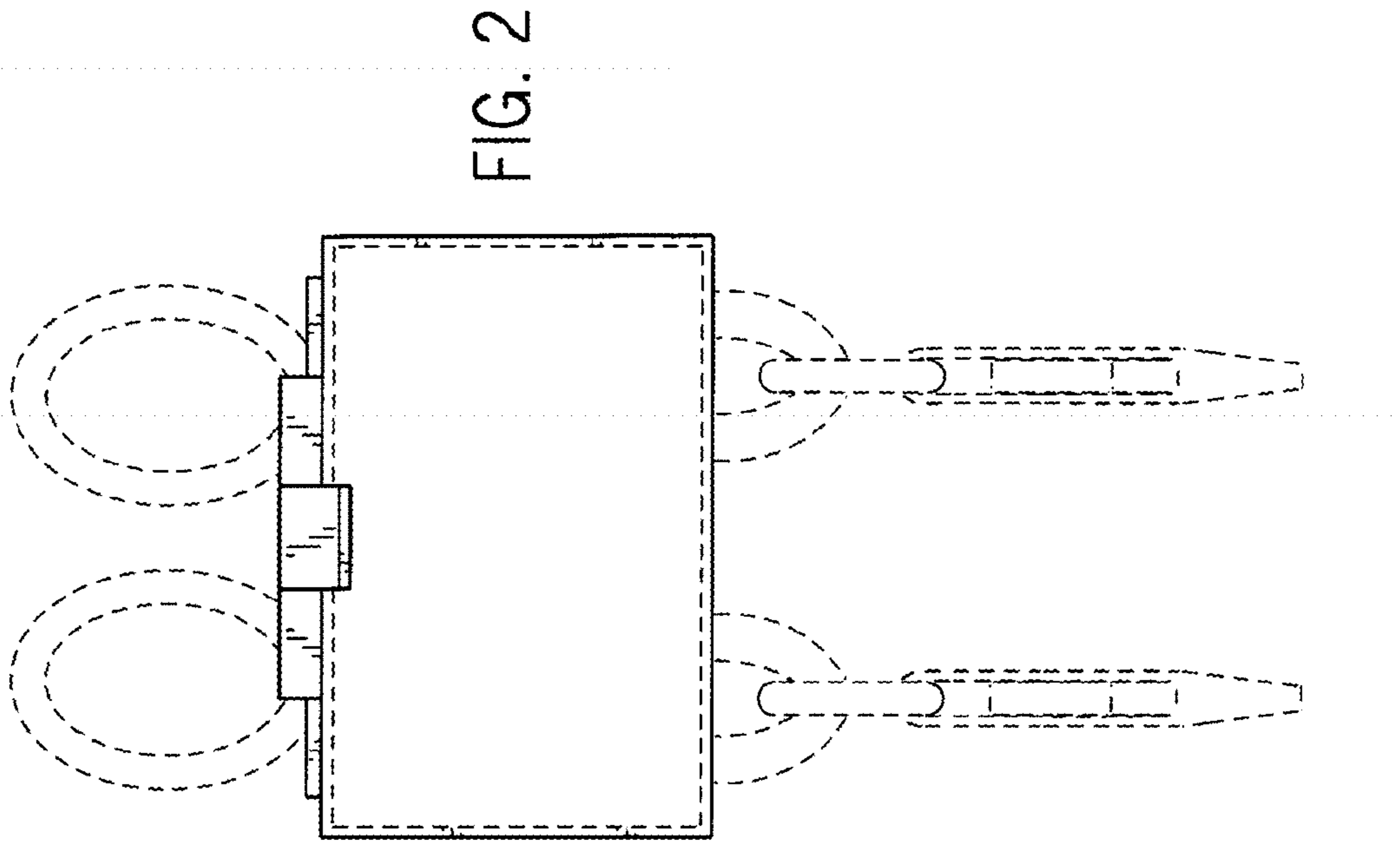
The ornamental design for a multiple chain clasp, as shown and described.

**DESCRIPTION**

FIG. 1 is a perspective view of the multiple chain clasp showing my new design; the broken lines shown in the drawings are illustrative of my claimed design;  
FIG. 2 is a front elevation view;  
FIG. 3 is a rear elevation view;  
FIG. 4 is a side elevation view;  
FIG. 5 is another side elevation view;  
FIG. 6 is a top plan view;  
FIG. 7 is a bottom plan view; and,  
FIG. 8 is an exploded view.

**1 Claim, 4 Drawing Sheets**





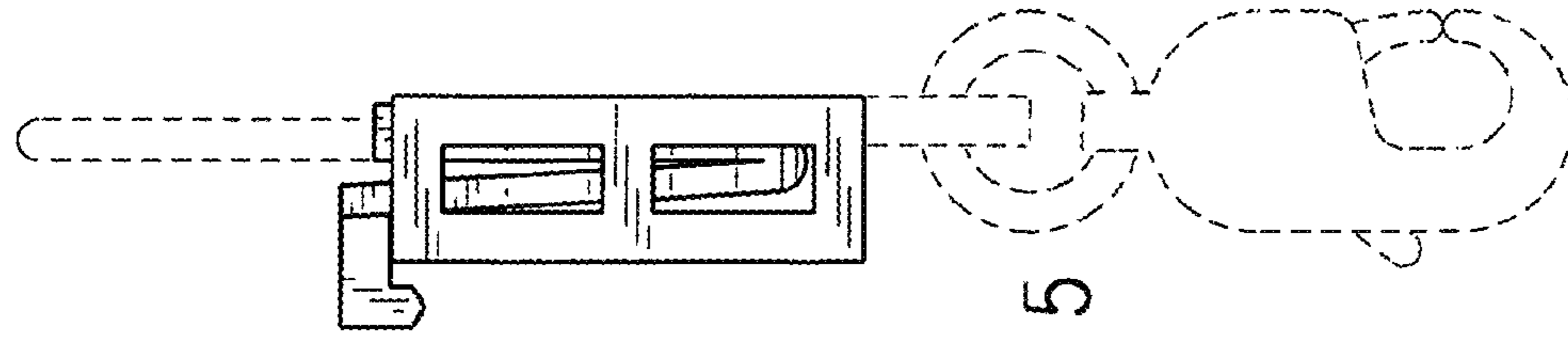


FIG. 5

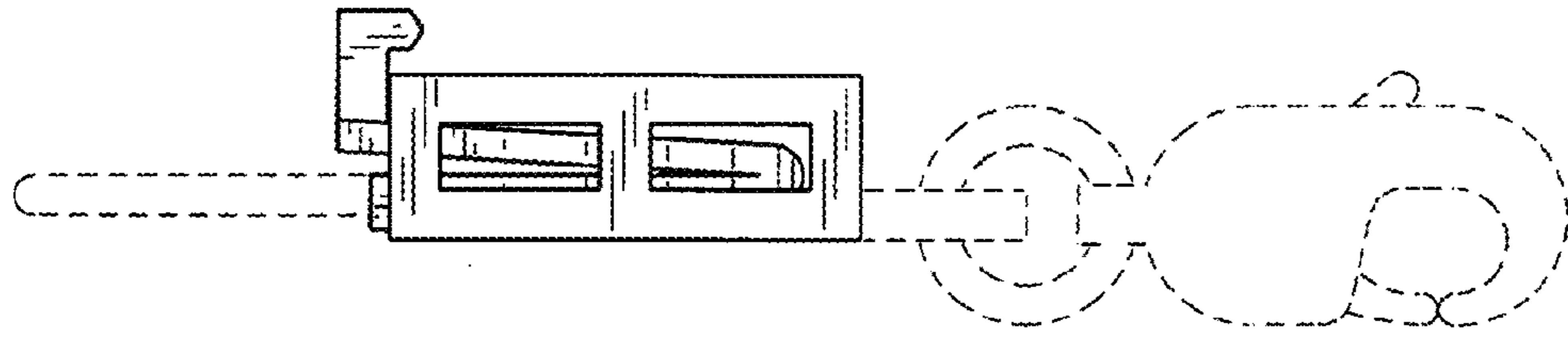


FIG. 4

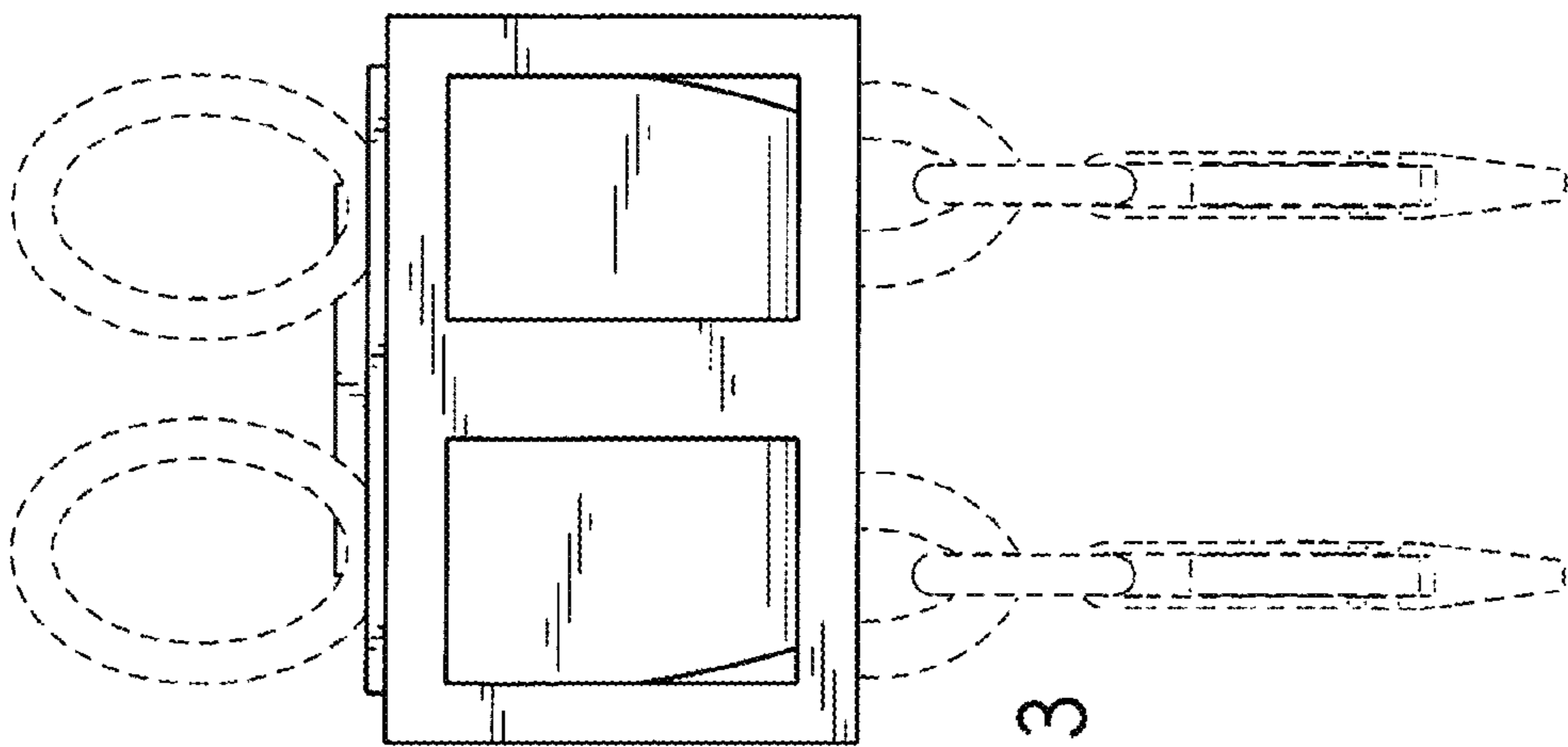


FIG. 3

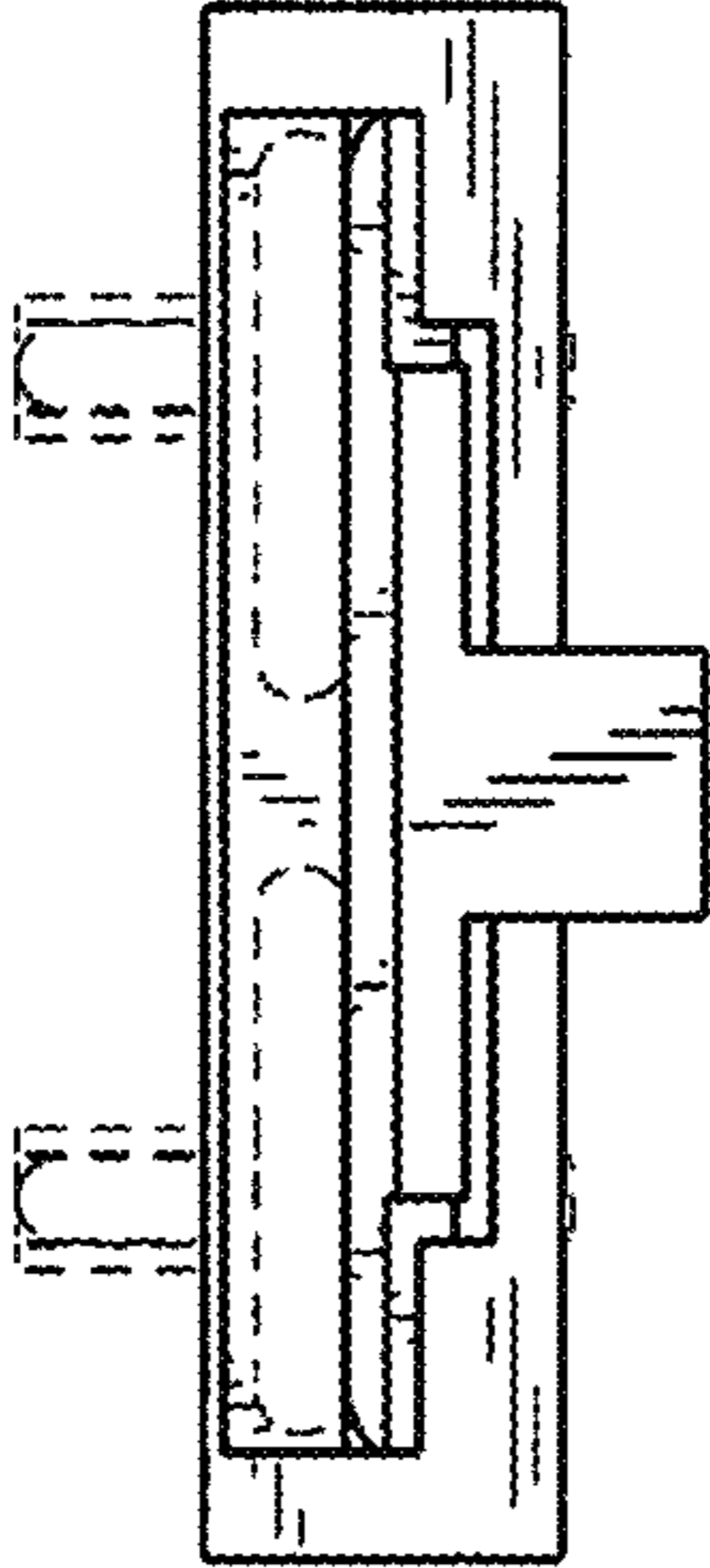


FIG. 6

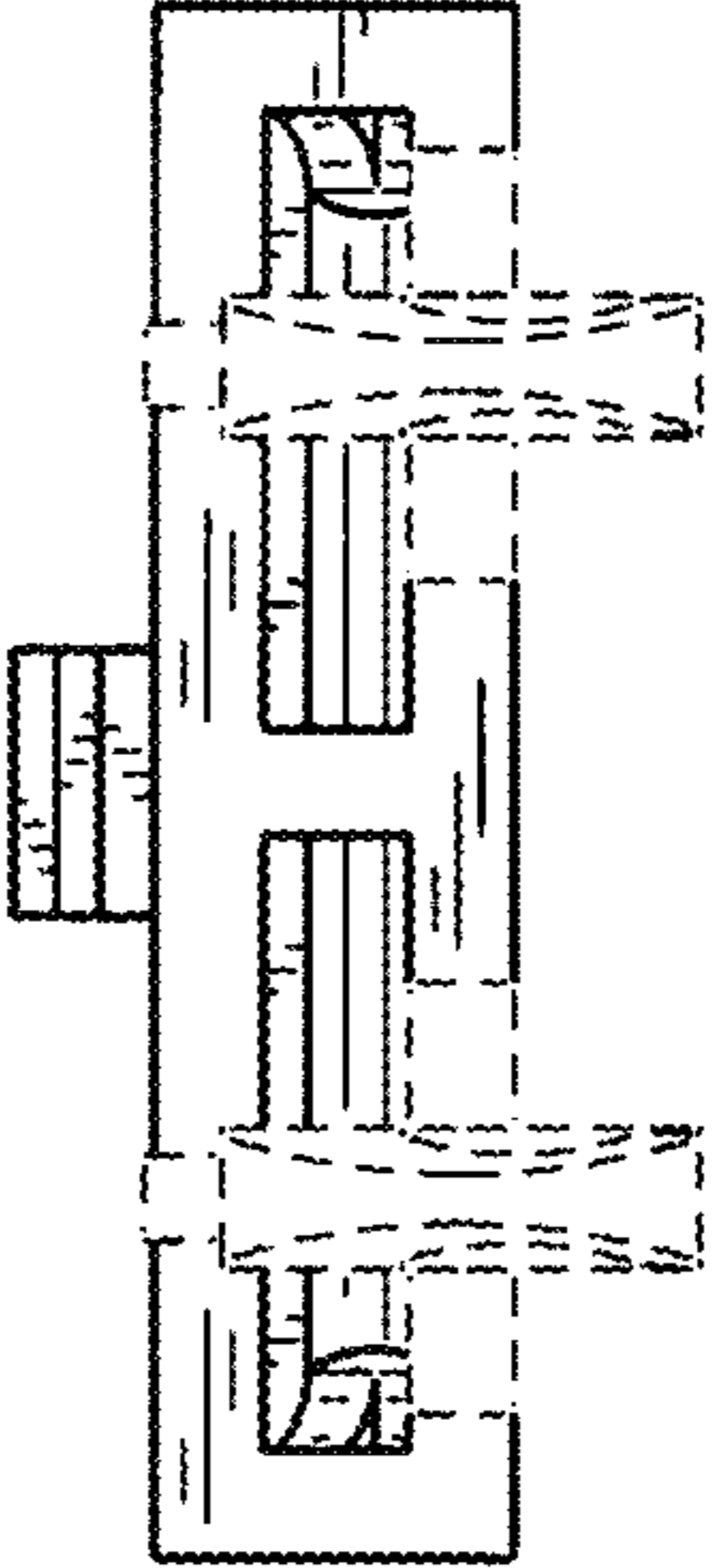


FIG. 7

