



US00D750524S

(12) **United States Design Patent**
Akana et al.

(10) **Patent No.:** **US D750,524 S**
(45) **Date of Patent:** **** Mar. 1, 2016**

(54) **BAND**

(71) Applicant: **Apple Inc.**, Cupertino, CA (US)

(72) Inventors: **Jody Akana**, San Francisco, CA (US);
Bartley K. Andre, Palo Alto, CA (US);
Shota Aoyagi, San Francisco, CA (US);
Anthony Michael Ashcroft, San Francisco, CA (US);
Jeremy Bataillou, San Francisco, CA (US);
Daniel J. Coster, San Francisco, CA (US);
Daniele De Iuliis, San Francisco, CA (US);
M. Evans Hankey, San Francisco, CA (US);
Julian Hoenig, San Francisco, CA (US);
Richard P. Howarth, San Francisco, CA (US);
Jonathan P. Ive, San Francisco, CA (US);
Duncan Robert Kerr, San Francisco, CA (US);
Marc A. Newson, London (GB);
Matthew Dean Rohrbach, San Francisco, CA (US);
Peter Russell-Clarke, San Francisco, CA (US);
Benjamin Andrew Shaffer, San Jose, CA (US);
Mikael Silvanto, San Francisco, CA (US);
Christopher J. Stringer, Woodside, CA (US);
Eugene Antony Whang, San Francisco, CA (US);
Rico Zörkendörfer, San Francisco, CA (US)

(73) Assignee: **Apple Inc.**, Cupertino, CA (US)

(**) Term: **14 Years**

(21) Appl. No.: **29/523,808**

(22) Filed: **Apr. 14, 2015**

Related U.S. Application Data

(63) Continuation of application No. 29/498,994, filed on Aug. 11, 2014, now Pat. No. Des. 727,198.

(51) **LOC (10) Cl.** **11-01**

(52) **U.S. Cl.**
USPC **D11/3; D11/86**

(58) **Field of Classification Search**

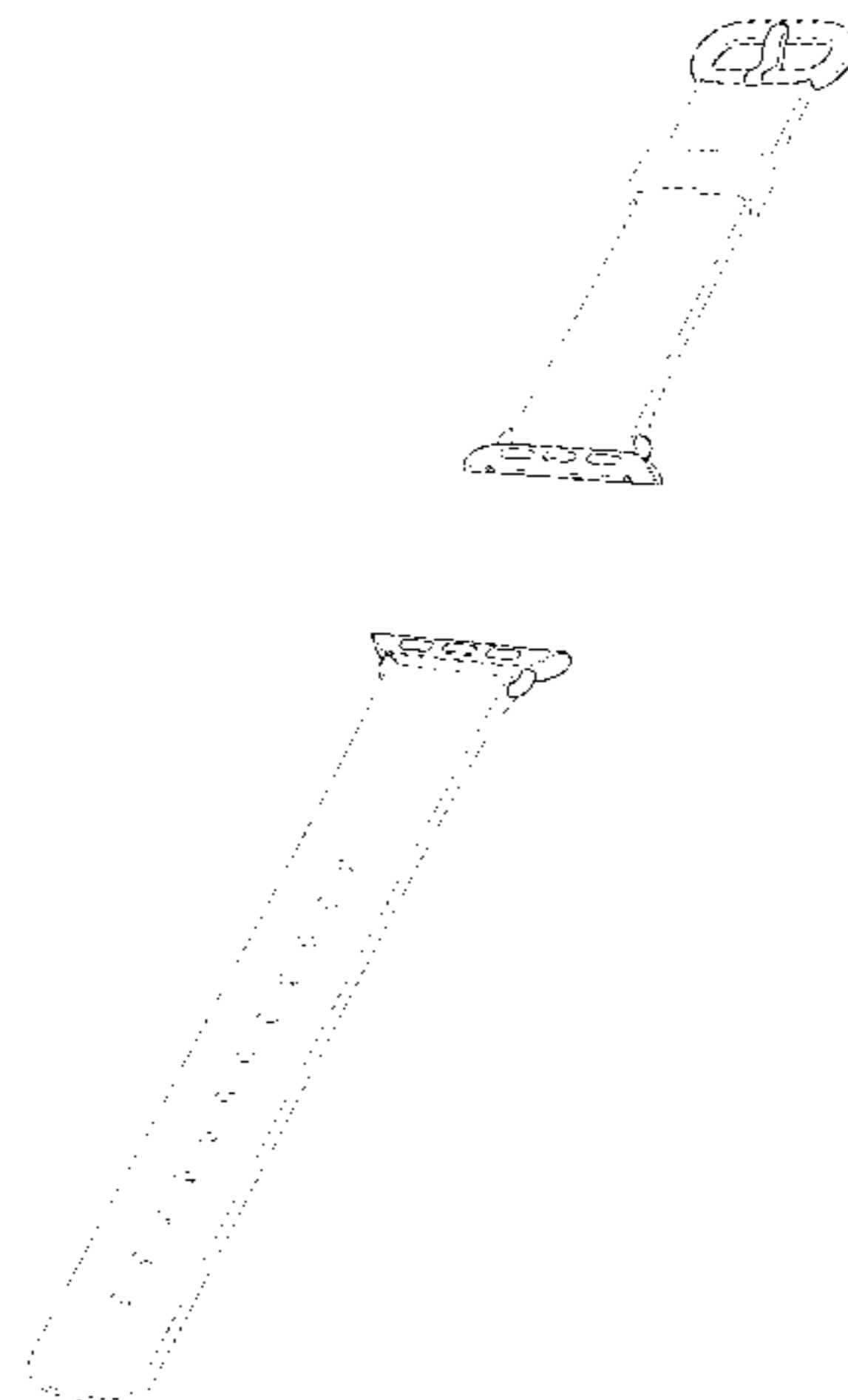
USPC D11/1-25, 86, 87, 93, 94; D10/30-39,
D10/70, 46; 24/456, 574.1, 587.11, 587.12,
24/578.15, 265 B; 600/301; 224/164, 175;
368/276, 281, 282, 285
CPC G04B 37/1486; G04B 37/16; G04B 37/18;
A44C 5/14; A44C 5/0053; A44C 5/0069;
A44C 5/0076; A44C 5/00; A44C 5/0007;
A44C 5/0015; A44C 5/0023; A44C 5/003;
A44C 5/0061; A44C 5/12; A44C 5/147;
A44C 5/18; A44C 5/185

See application file for complete search history.

(56) **References Cited**

U.S. PATENT DOCUMENTS

1,725,786 A * 8/1929 Eklund 24/265 R
2,280,490 A 4/1942 Keltie
2,397,797 A 4/1946 Curto
3,030,686 A 4/1962 Burkhardt
3,609,963 A * 10/1971 Ichinose 59/80
3,665,565 A 5/1972 Kruger
3,675,284 A 7/1972 Rieth
D303,635 S * 9/1989 Kurzina D10/32
D305,743 S * 1/1990 Hirsch D11/94
D320,356 S 10/1991 Boyer et al.
D323,783 S * 2/1992 Margaritelli D10/32
D331,020 S * 11/1992 Ishii et al. D10/31
5,363,351 A 11/1994 Carney
5,574,701 A 11/1996 Harilela
D377,914 S 2/1997 Riley
D379,327 S 5/1997 Navera
D379,775 S 6/1997 Gazzola
D382,819 S * 8/1997 Shapiro D10/32
D383,985 S 9/1997 Davenport
D386,980 S 12/1997 Houlihan
5,886,669 A 3/1999 Kita
D440,901 S 4/2001 Bruce et al.
6,219,303 B1 4/2001 Morohoshi et al.
D441,680 S 5/2001 Bruce et al.
6,238,083 B1 5/2001 Hirano et al.
D473,818 S 4/2003 Salvisberg
D494,098 S 8/2004 Cohen
6,801,476 B2 10/2004 Gilmour
7,275,667 B2 10/2007 Bertucci
D564,904 S 3/2008 Leung
D622,164 S 8/2010 Mikkelsen
D631,373 S 1/2011 Mikkelsen
D643,772 S * 8/2011 Mikkelsen D11/93



8,601,784	B2	12/2013	Kaltenrieder	
8,613,544	B2	12/2013	Kitahara et al.	
D715,674	S	10/2014	Squires	
D719,467	S	12/2014	Bradbury	
D720,249	S	12/2014	Park et al.	
8,960,510	B2 *	2/2015	Bertucci	224/164
D724,469	S *	3/2015	Akana et al.	D11/3
D727,197	S *	4/2015	Akana et al.	D11/3
D727,198	S *	4/2015	Akana et al.	D11/3
D727,199	S *	4/2015	Akana et al.	D11/3
D727,787	S *	4/2015	Akana et al.	D11/94
D731,346	S *	6/2015	Akana et al.	D11/3
2001/0017663	A1	8/2001	Yamaguchi et al.	
2002/0051075	A1	5/2002	Yamaguchi et al.	
2007/0070823	A1 *	3/2007	Sima	368/282
2011/0197400	A1 *	8/2011	Chevrolet	24/265 B
2014/0096345	A1	4/2014	Tschumi	
2014/0098649	A1	4/2014	Tschumi	

FOREIGN PATENT DOCUMENTS

DE	19513647	A1	10/1995
EP	001109706-0025		5/2009
EP	2636328	A1	9/2013
GB	618917	A	3/1949
GB	1056574		8/1989
GB	2047767		9/1995
GB	2049316		12/1995
GB	2082277		6/1999
JP	D1126907		11/2001
JP	D1337795		8/2008
JP	D1423962		9/2011
JP	D1433115		2/2012
JP	D1448029		8/2012
JP	D1462747		2/2013
WO	DM/012262-0001		1/1989
WO	DM/049450-002		12/1999
WO	DM/079044-003		9/2012
WO	2013182397	A1	12/2013

OTHER PUBLICATIONS

[Online] http://www.sammaselec.com/photo/p12595981-leather_apple_watch_band_classic_buckle_with_adapter_in_different_colors_and_leather_types.jpg, Retrieved Aug. 17, 2015.*

etsy.com, “1 Set Silver End Cap Clasp—Findings Large Toggle Clasp End Caps Buckle Connector with Five Inside Loops for Jewelry Making 26mm,” <<http://www.etsy.com/listing/101269004/1-set-silver-end-cap-clasp-findings?ref=market>>, Listed on Aug. 29, 2014, accessed Oct. 9, 2014.

“Field Ops Watch Band Kit” <<http://www.511tactical.com/field-ops-watch-band-kit.html>>, accessed Nov. 25, 2014.

Hiemstra, Graham, “Worn & Wound Model 1 Horween Watch Strap,” <<http://www.coolhunting.com/style/worn-wound-model-1-horween-watch-strap>>, dated Aug. 27, 2013, accessed Nov. 25, 2014.

Hilbourne, Jason, “Wide Body: straps for Pebble,” <<https://www.kickstarter.com/projects/1171859847/wide-body-straps-for-pebble>>, Listed Apr. 2, 2013, accessed Nov. 25, 2014.

Metawatch, “Frame—Black (MW3005),” <<http://meta.watch/collections/smartwatch-all/products/frame-ss-black-leather>>, accessed Dec. 15, 2014.

[Online] http://a.abcnews.com/images/Business/HT_gold_apple_iwatch_jef_140909_4x3_992.jpg, Retrieved on Feb. 4, 2015, 1 page.

Pebble, “Pebble Smartwatch,” [getpebble.com](http://getpebble.com/checkout), <<https://getpebble.com/checkout>>, accessed Dec. 15, 2014.

“Timex Men’s Q7B808 Ironman Triathlon 30-Lap Resin 16mm Replacement Watchband” <http://www.amazon.com/Timex-Ironman-Triathlon-Replacement-Watchband/dp/B003OPZ5D0/ref=sr_1_1?s=apparel&ie=UTF8&qid=1416701895&sr=1-1&keywords=Timex+Men%27s+Q7B808+Ironman+Triathlon+30-Lap+Resin+16mm+Replacement+Watchband>, accessed Nov. 25, 2014.

Velazco, Chris, “ASUS ZenWatch review: subtle and stylish, with a few shortcomings,” Engadget.com, <<http://www.engadget.com/2014/12/11/asus-zenwatch-review/>>, dated Dec. 11, 2014, accessed Dec. 15, 2014.

U.S. Appl. No. 29/498,987, filed Aug. 11, 2014.

U.S. Appl. No. 29/498,990, filed Aug. 11, 2014.

U.S. Appl. No. 29/498,995, filed Aug. 11, 2014.

U.S. Appl. No. 29/498,996, filed Aug. 11, 2014.

U.S. Appl. No. 29/498,997, filed Aug. 11, 2014.

U.S. Appl. No. 29/499,052, filed Aug. 11, 2014.

U.S. Appl. No. 29/499,061, filed Aug. 11, 2014.

U.S. Appl. No. 29/499,067, filed Aug. 11, 2014.

U.S. Appl. No. 29/499,068, filed Aug. 11, 2014.

U.S. Appl. No. 29/499,069, filed Aug. 11, 2014.

U.S. Appl. No. 29/499,080, filed Aug. 11, 2014.

U.S. Appl. No. 29/499,081, filed Aug. 11, 2014.

U.S. Appl. No. 29/499,082, filed Aug. 11, 2014.

U.S. Appl. No. 29/499,088, filed Aug. 11, 2014.

U.S. Appl. No. 29/499,090, filed Aug. 11, 2014.

U.S. Appl. No. 29/499,091, filed Aug. 11, 2014.

U.S. Appl. No. 29/501,152, filed Sep. 2, 2014.

U.S. Appl. No. 29/501,624, filed Sep. 5, 2014.

U.S. Appl. No. 29/501,720, filed Sep. 8, 2014.

U.S. Appl. No. 29/501,722, filed Sep. 8, 2014.

U.S. Appl. No. 29/501,723, filed Sep. 8, 2014.

U.S. Appl. No. 29/501,733, filed Sep. 8, 2014.

U.S. Appl. No. 29/501,737, filed Sep. 8, 2014.

U.S. Appl. No. 29/501,746, filed Sep. 8, 2014.

U.S. Appl. No. 29/501,759, filed Sep. 8, 2014.

U.S. Appl. No. 29/501,760, filed Sep. 8, 2014.

U.S. Appl. No. 29/501,763, filed Sep. 8, 2014.

U.S. Appl. No. 29/501,766, filed Sep. 8, 2014.

U.S. Appl. No. 29/501,772, filed Sep. 8, 2014.

U.S. Appl. No. 29/501,775, filed Sep. 8, 2014.

WatchCat Online Shopping Mall, “PJS Seiko,” <http://m.watchcat.co.kr/board/product/read.html?board_no=4&no=27504>, dated Oct. 26, 2012, accessed Oct. 8, 2015.

WatchCat Online Shopping Mall, “PVD Zulu style Military Nylon band/strap,” <http://www.watchcat.kr/product/detail.html?product_no=5162&cate_no=642&display_group=1>, dated 2010, accessed Oct. 8, 2015.

* cited by examiner

Primary Examiner — Cathron Brooks
 Assistant Examiner — Melanie Pellegrini
 (74) Attorney, Agent, or Firm — Sterne, Kessler, Goldstein & Fox P.L.L.C.

(57) **CLAIM**
 The ornamental design for a band, as shown and described.

DESCRIPTION

FIG. 1 is a bottom front perspective view of a band showing our new design;
 FIG. 2 is a bottom rear perspective view thereof;
 FIG. 3 is a front view thereof;
 FIG. 4 is a rear view thereof;
 FIG. 5 is a left side view thereof;
 FIG. 6 is a right side view thereof;
 FIG. 7 is a top view thereof;
 FIG. 8 is a bottom view thereof;
 FIG. 9 is a bottom perspective view thereof showing the band in an environment in which it may be used;
 FIG. 10 is FIG. 7 enlarged to show detail; and,
 FIG. 11 is FIG. 8 enlarged to show detail.
 The broken lines in the Figures show portions of the band and environment that form no part of the claimed design.

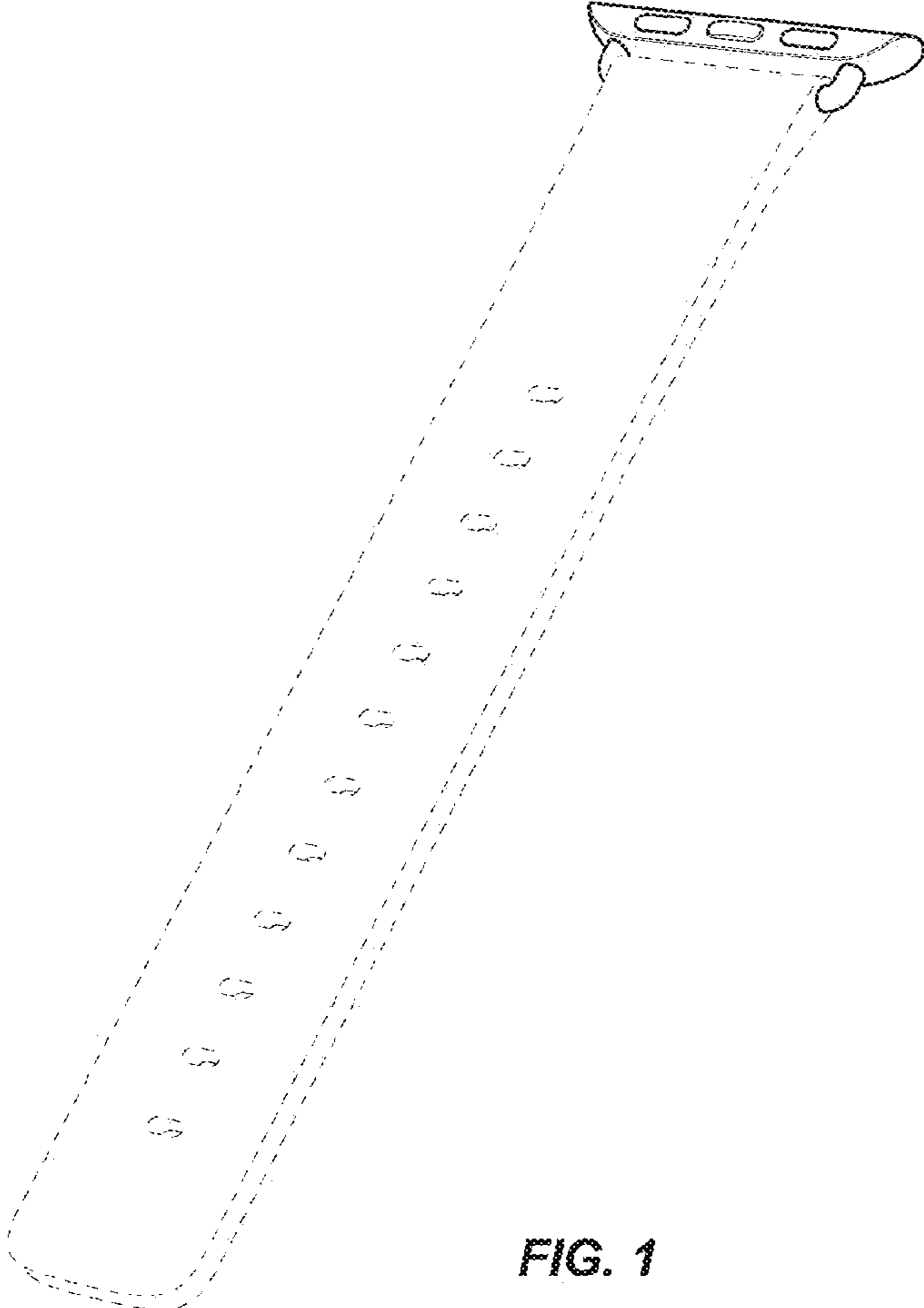
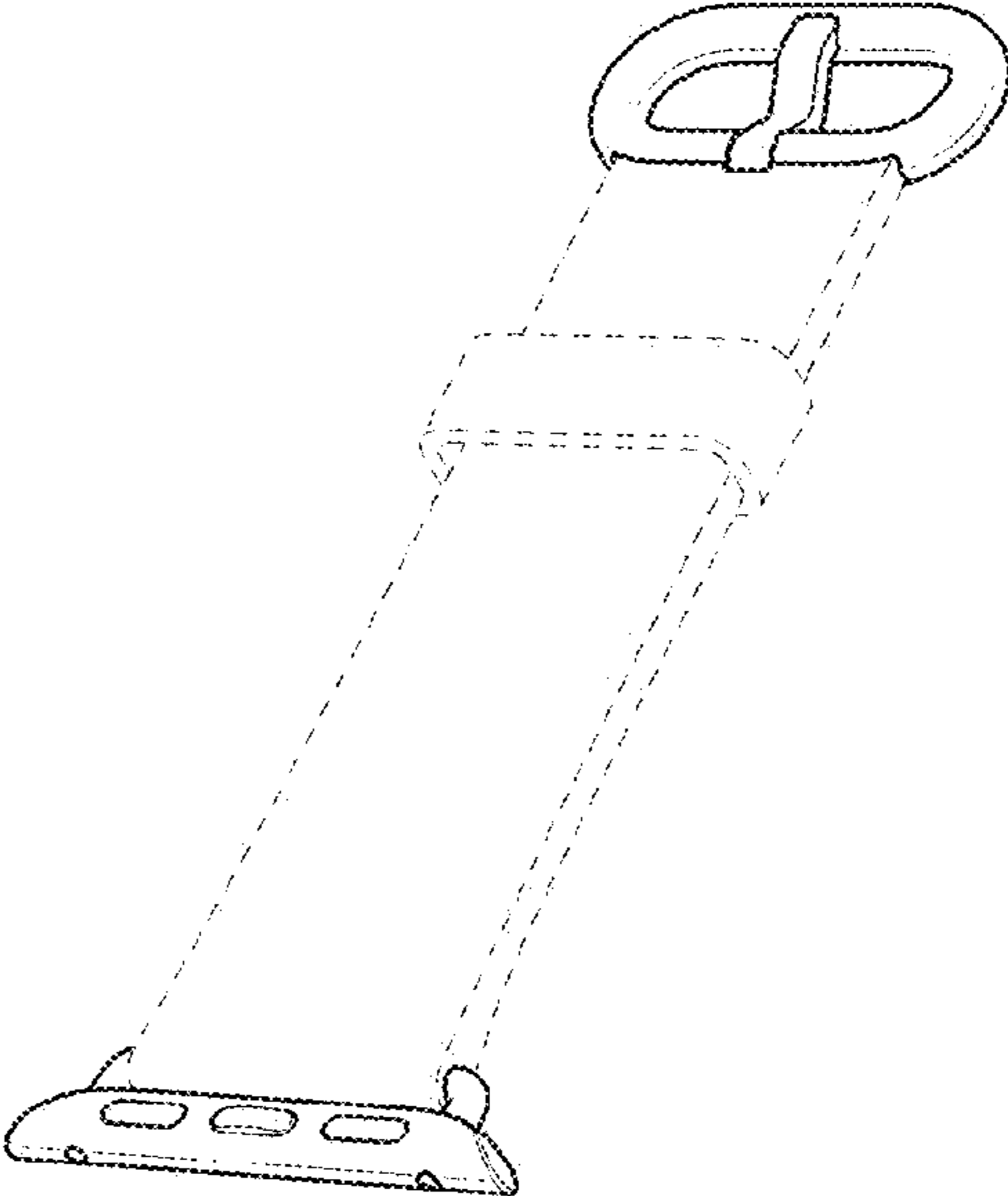


FIG. 1

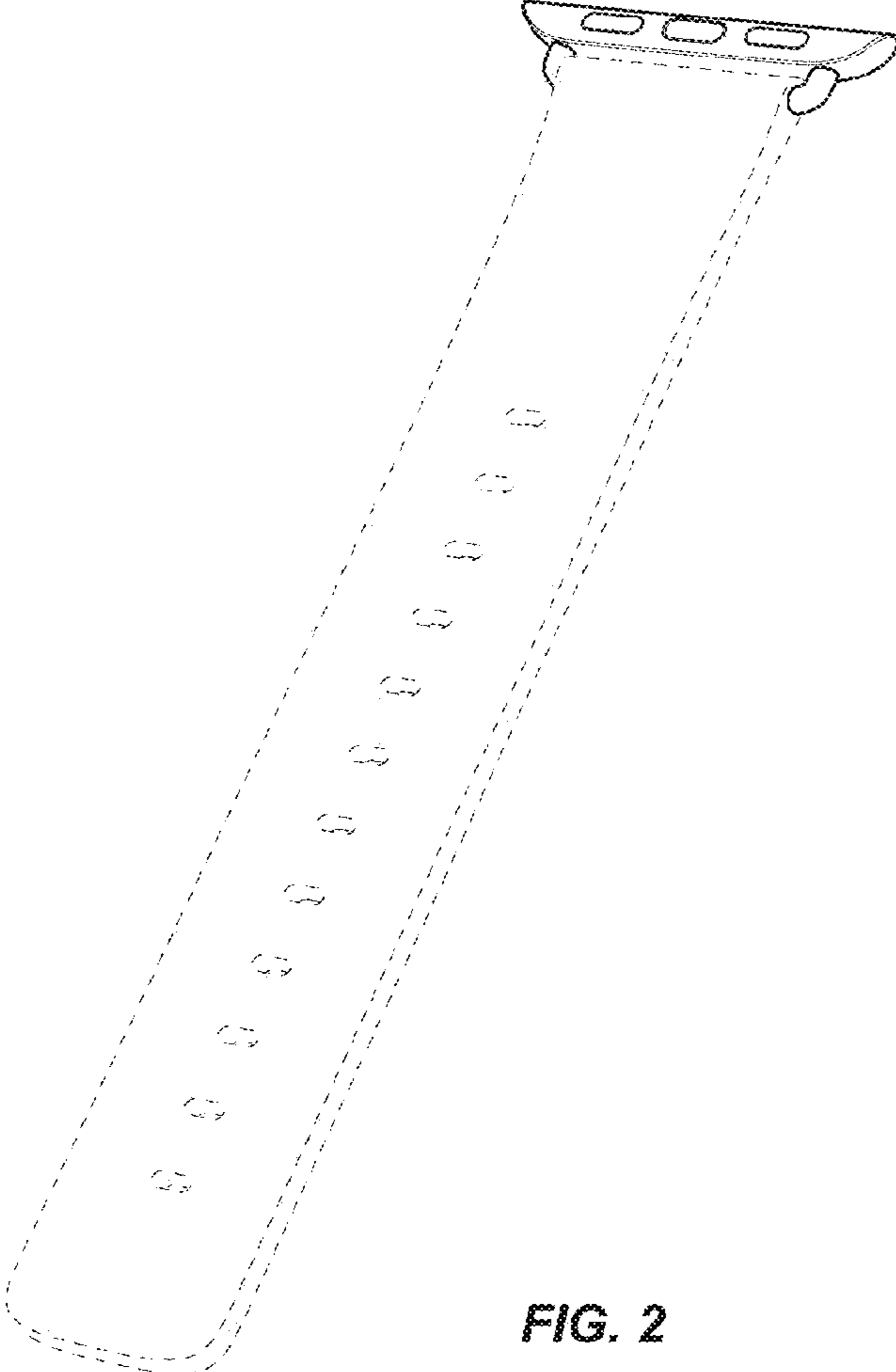
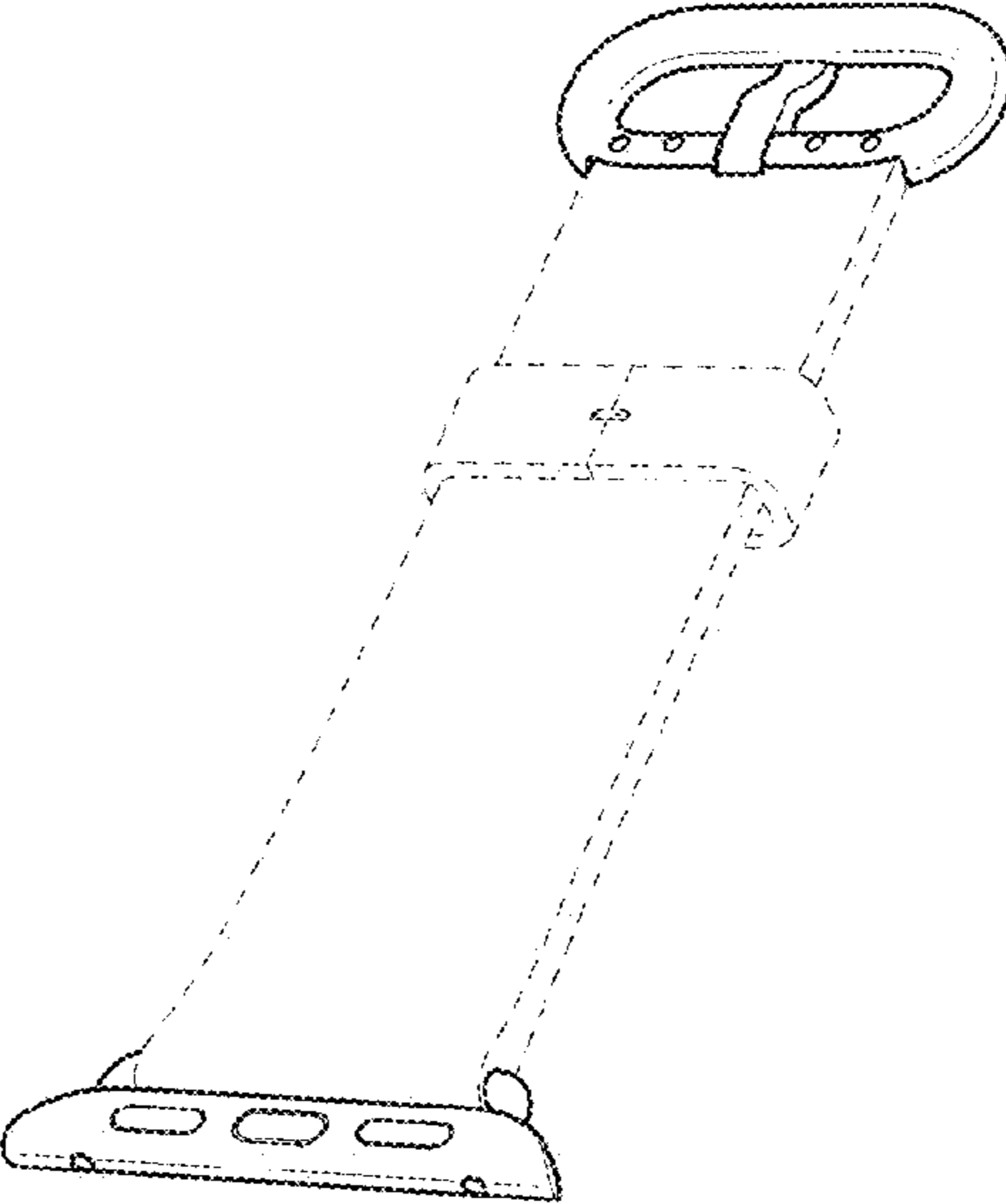


FIG. 2

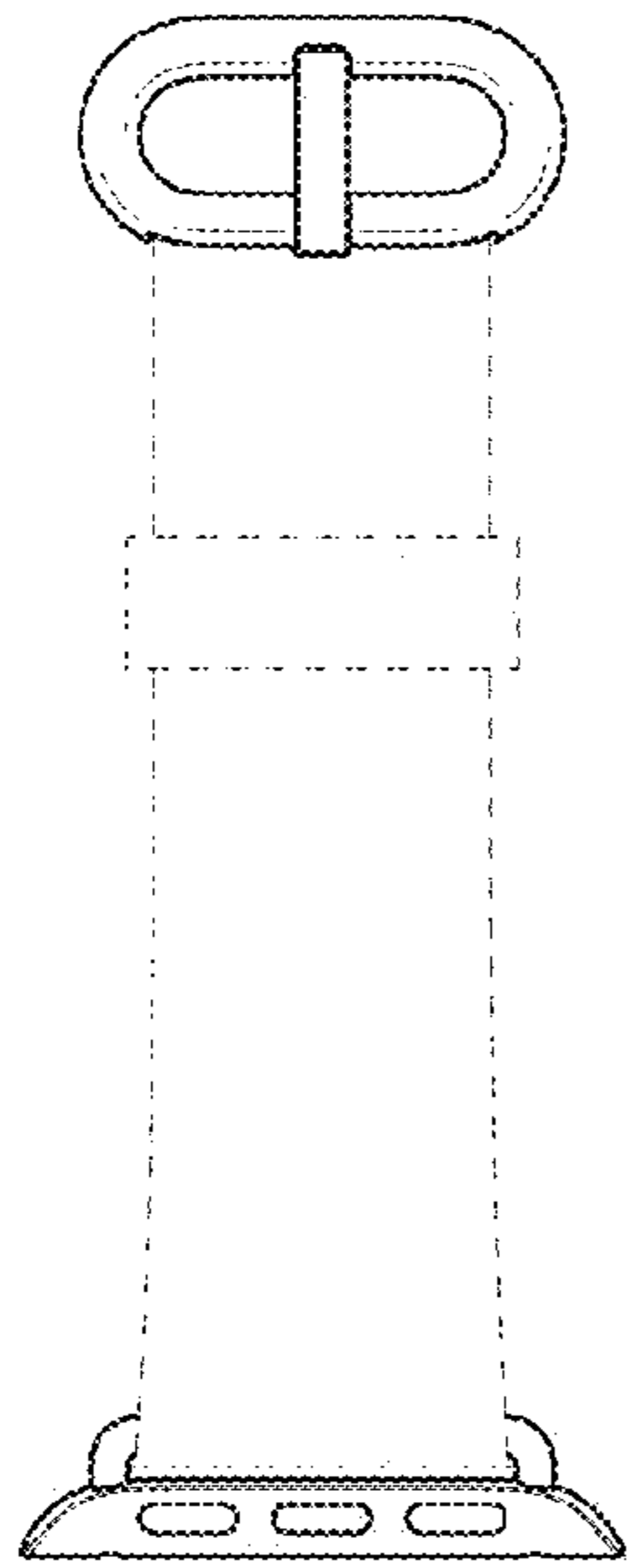


FIG. 3

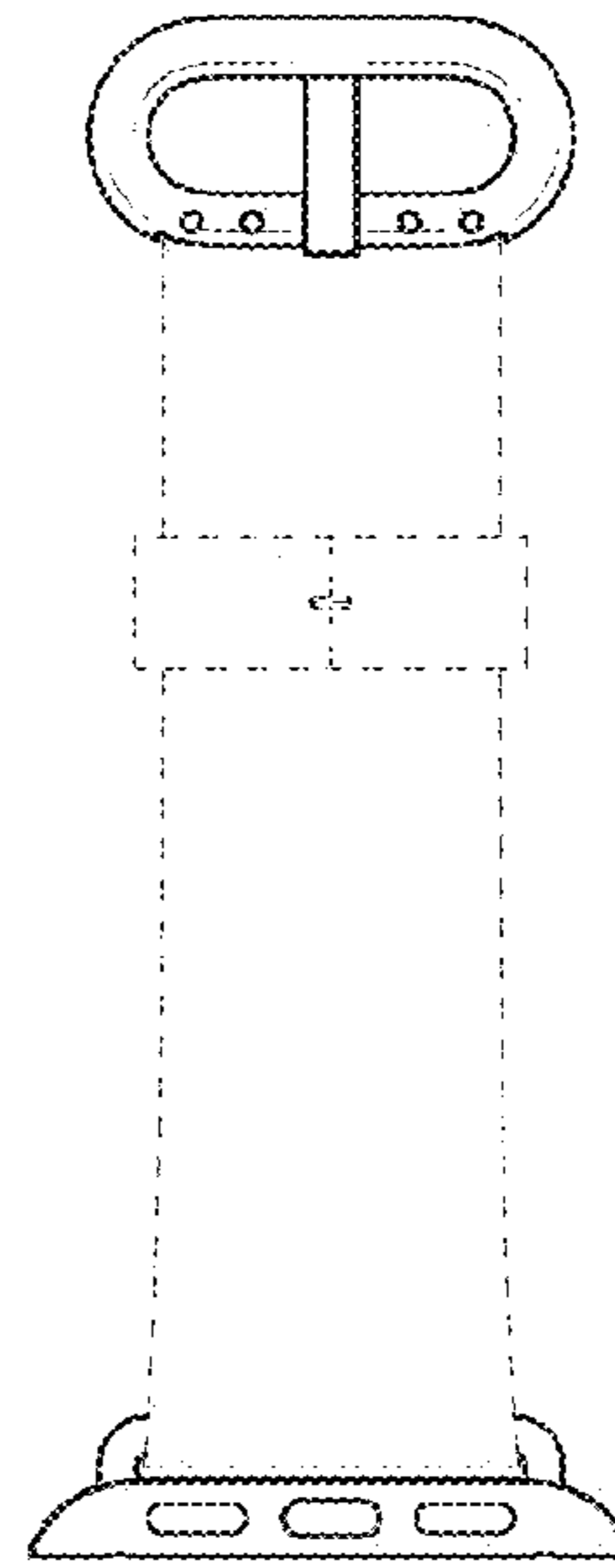
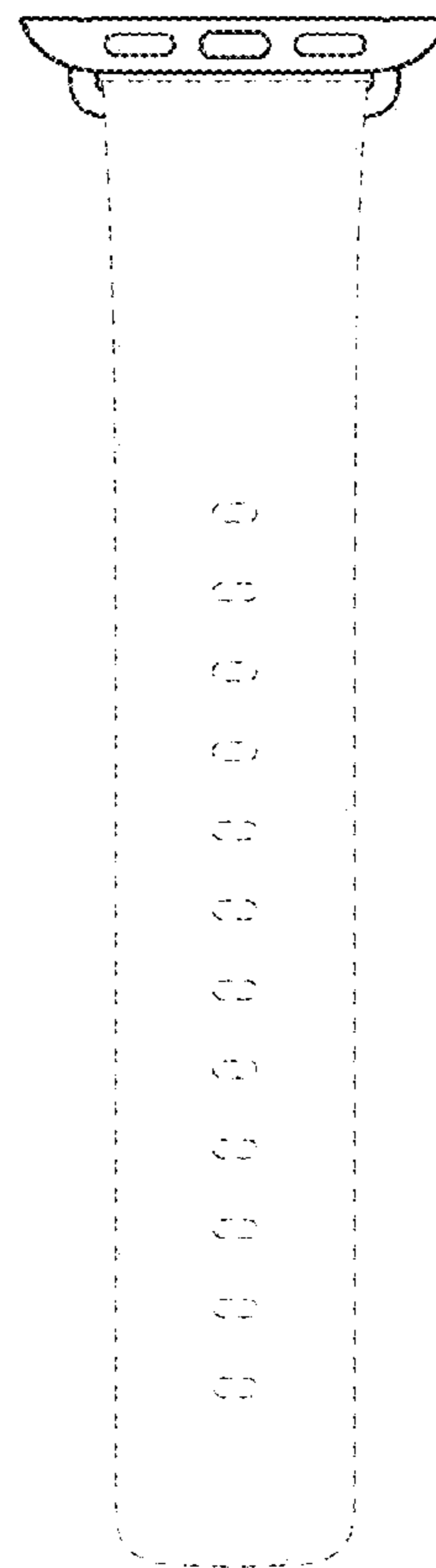
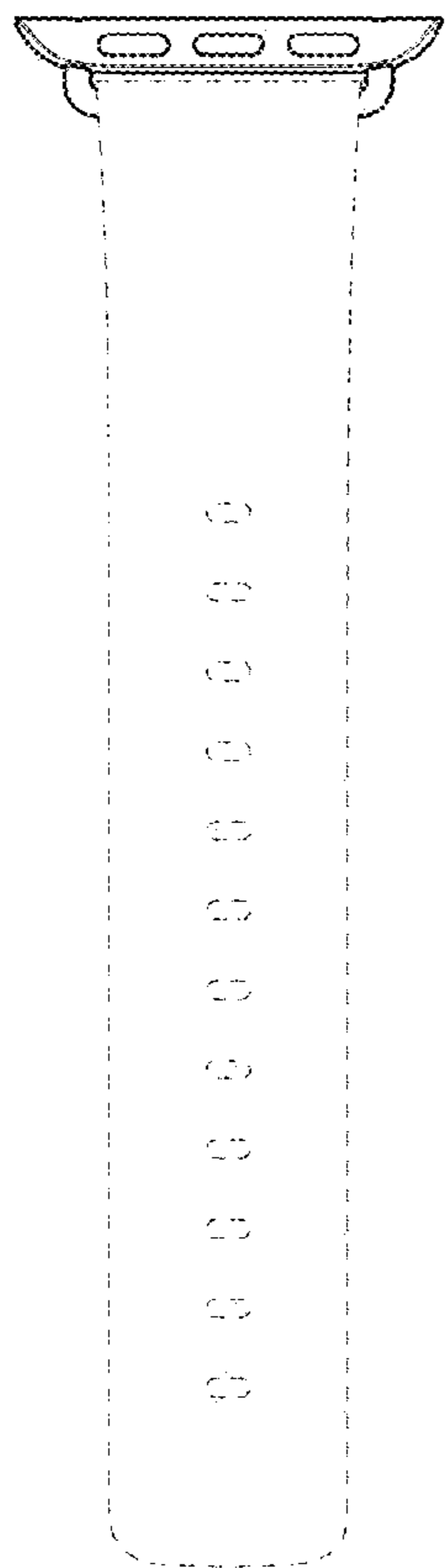


FIG. 4



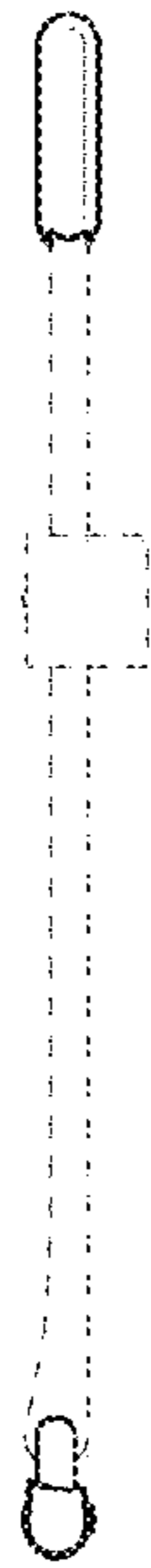


FIG. 5

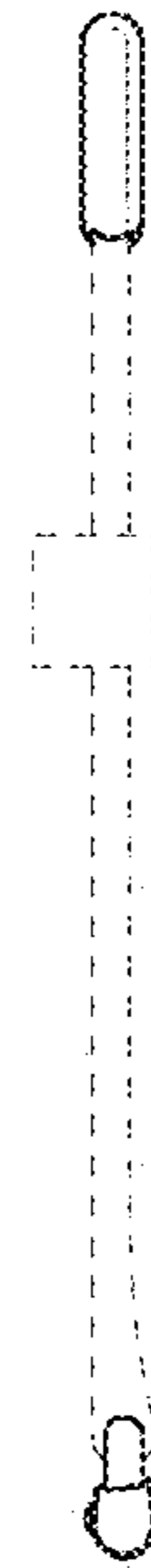


FIG. 6

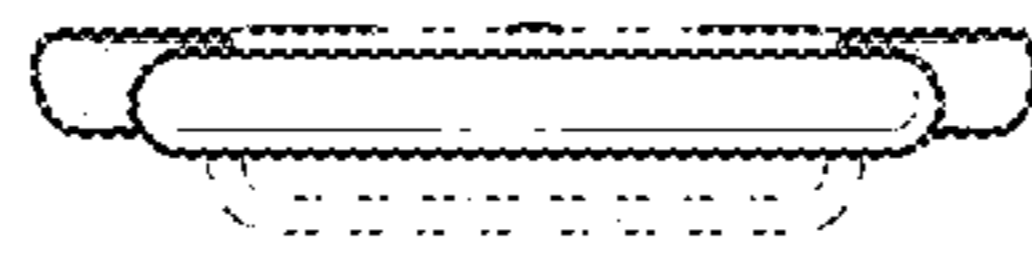


FIG. 7

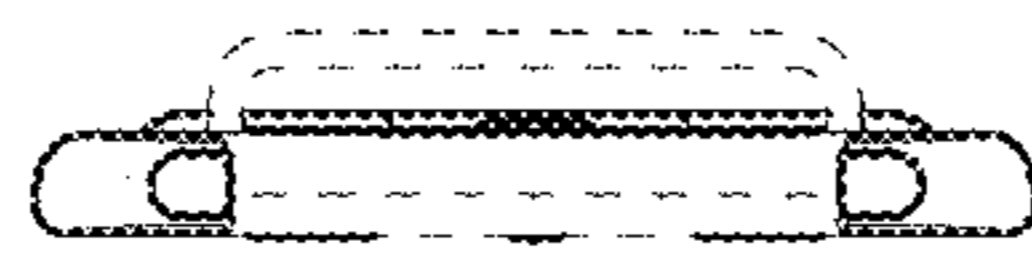


FIG. 8

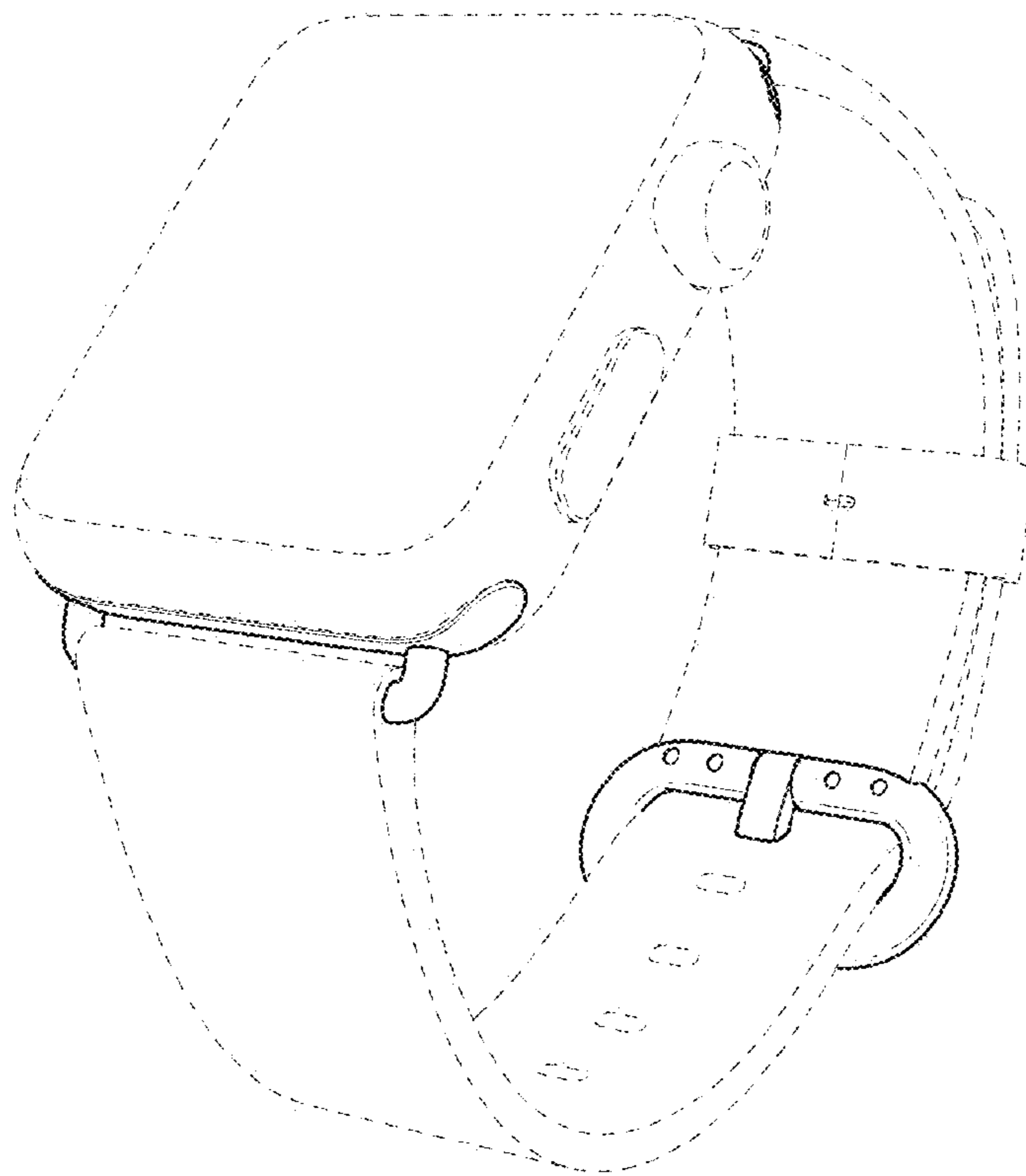


FIG. 9



FIG. 10

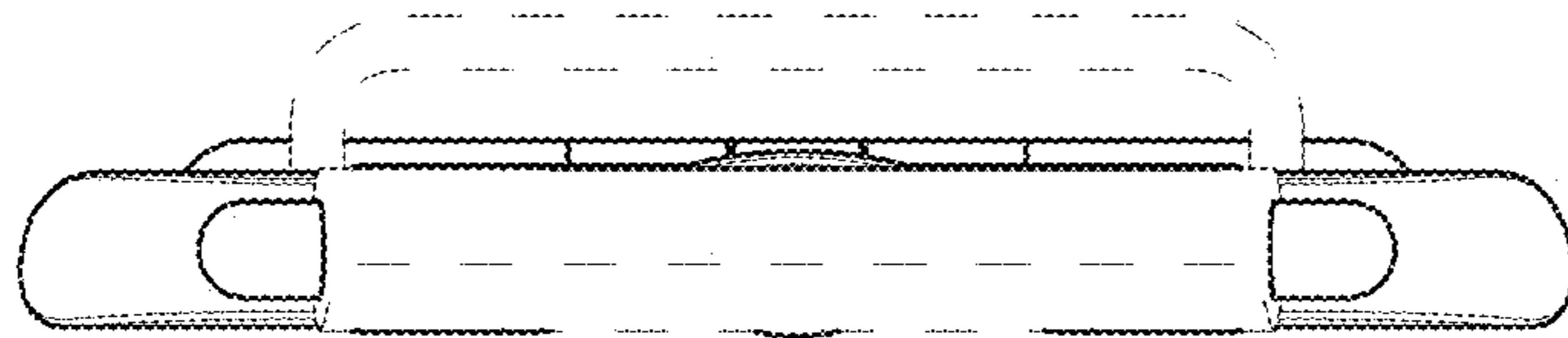


FIG. 11