



US00D750523S

(12) **United States Design Patent**
Yu

(10) **Patent No.:** **US D750,523 S**
(45) **Date of Patent:** **** Mar. 1, 2016**

(54) **LIGHT BAR**

2010/0073948 A1* 3/2010 Stein B60Q 1/2611
362/493

(71) Applicant: **Ningbo Yinzhou Self Photoelectron Technology Co., Ltd.**, Ningbo, Zhejiang (CN)

* cited by examiner

Primary Examiner — George D Kirschbaum

(72) Inventor: **Feng Yu**, Ningbo (CN)

(57) **CLAIM**

The ornamental design for a light bar, as shown and described.

(73) Assignee: **NINGBO YINZHOU SELF PHOTOELECTRON TECHNOLOGY CO., LTD.**, Ningbo (CN)

DESCRIPTION

(**) Term: **14 Years**

FIG. 1 is a front elevational view of a light bar showing my new design;

(21) Appl. No.: **29/520,948**

FIG. 2 is a rear elevational view thereof;

(22) Filed: **Mar. 19, 2015**

FIG. 3 is a left side view thereof;

(51) **LOC (10) Cl.** **10-05**

FIG. 4 is a right side view thereof;

(52) **U.S. Cl.**

FIG. 5 is a bottom plan view thereof;

USPC **D10/114.4**

FIG. 6 is a first perspective view thereof;

(58) **Field of Classification Search**

FIG. 7 is a second perspective view thereof;

USPC D10/114.3–114.4; D26/72, 85

FIG. 8 is an enlarged view of FIG. 5;

CPC B60R 1/12

FIG. 9 is a third perspective view thereof;

See application file for complete search history.

FIG. 10 is a fourth perspective view thereof; and,

(56) **References Cited**

FIG. 11 is a fifth perspective view thereof, showing the light bar with its transparent cover removed.

U.S. PATENT DOCUMENTS

The broken lines are for illustrative purposes only and form no part of the claimed design.

D545,230 S * 6/2007 Jalala D10/114.4

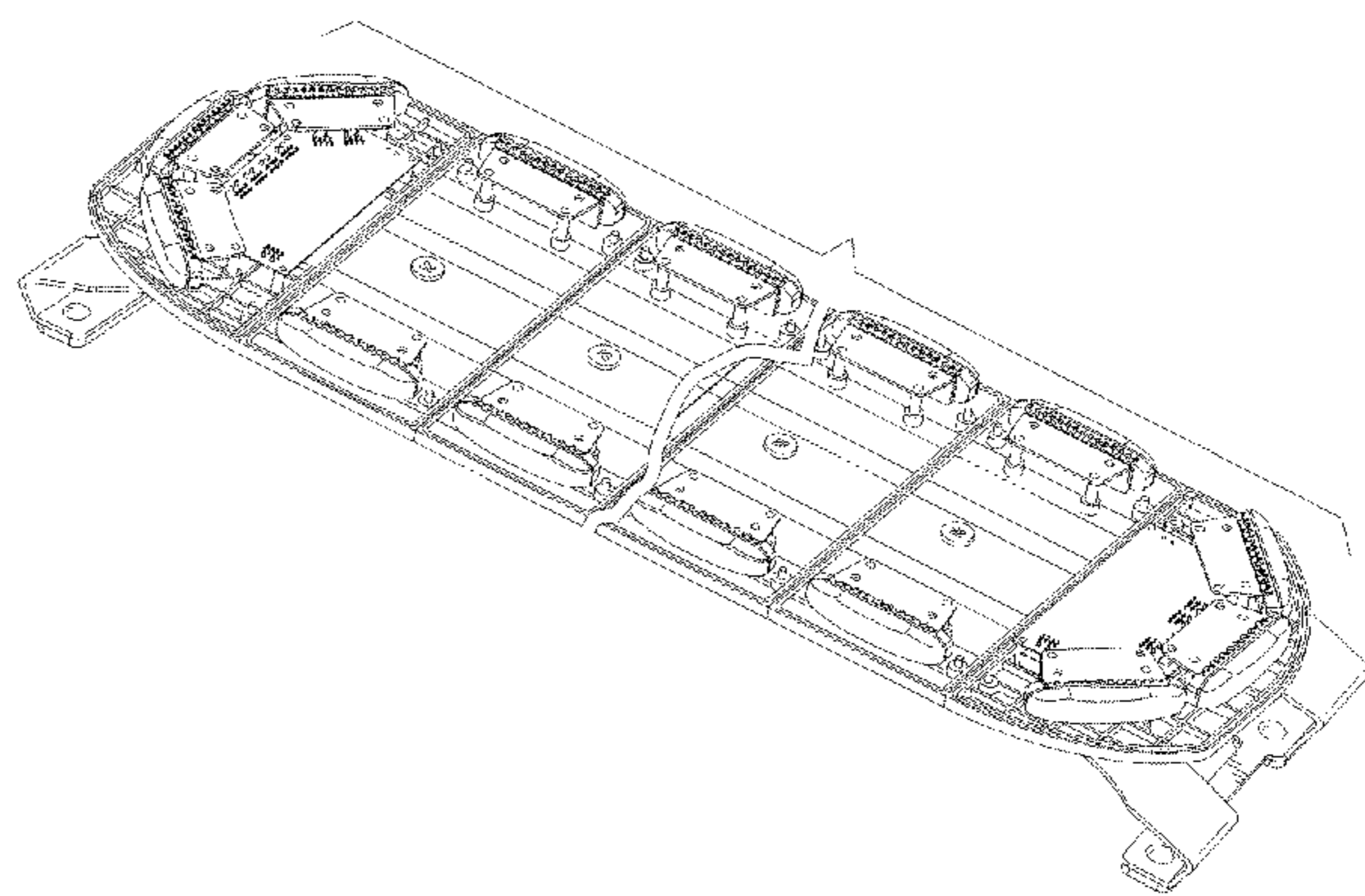
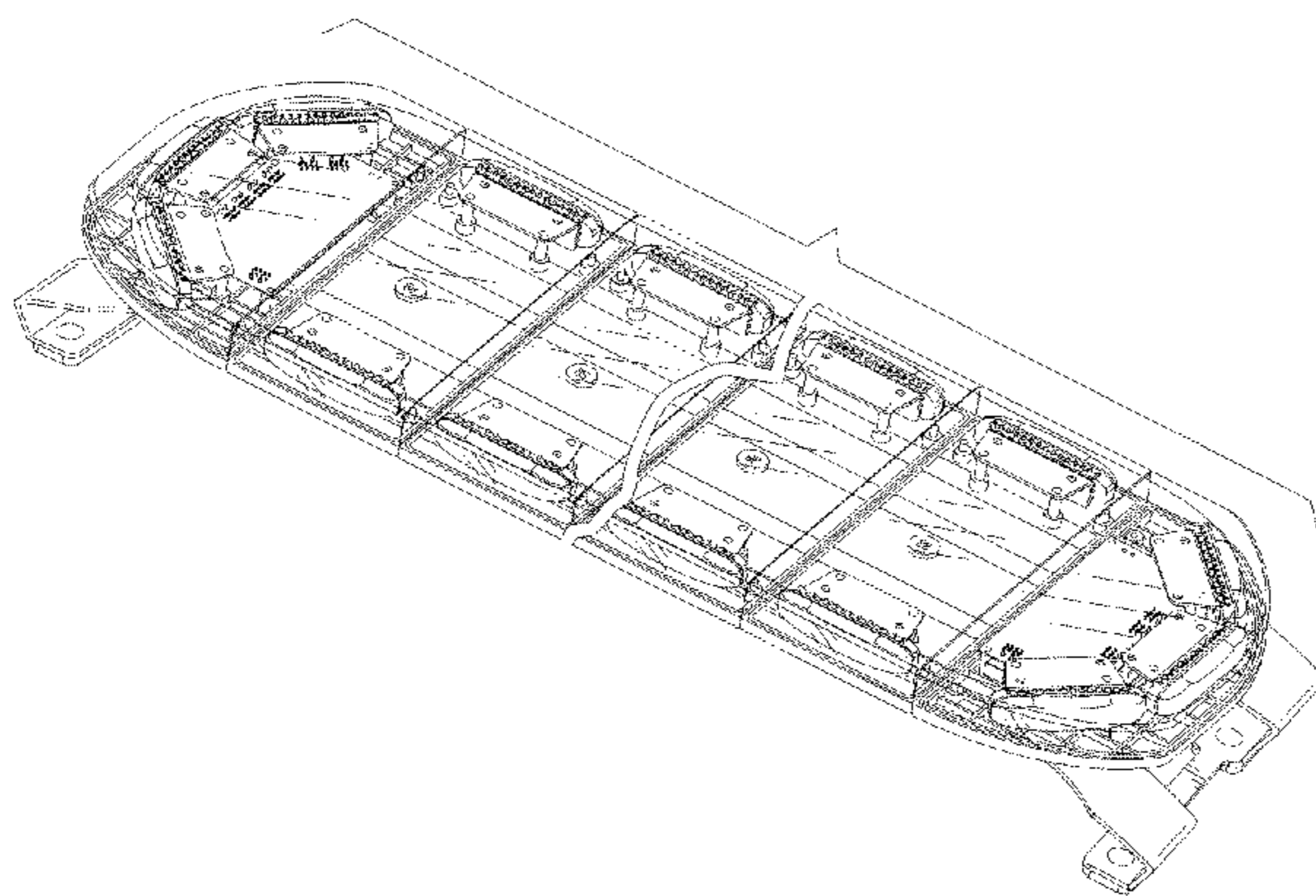
The break lines shown in FIG. 1-FIG. 4, FIG. 6-FIG. 7 and FIG. 9-FIG. 11 indicate the light bar has no specific length.

D598,800 S * 8/2009 Shin D10/114.4

The diagonal lines indicate transparency.

D633,404 S * 3/2011 Brooking D10/114.4

1 Claim, 11 Drawing Sheets



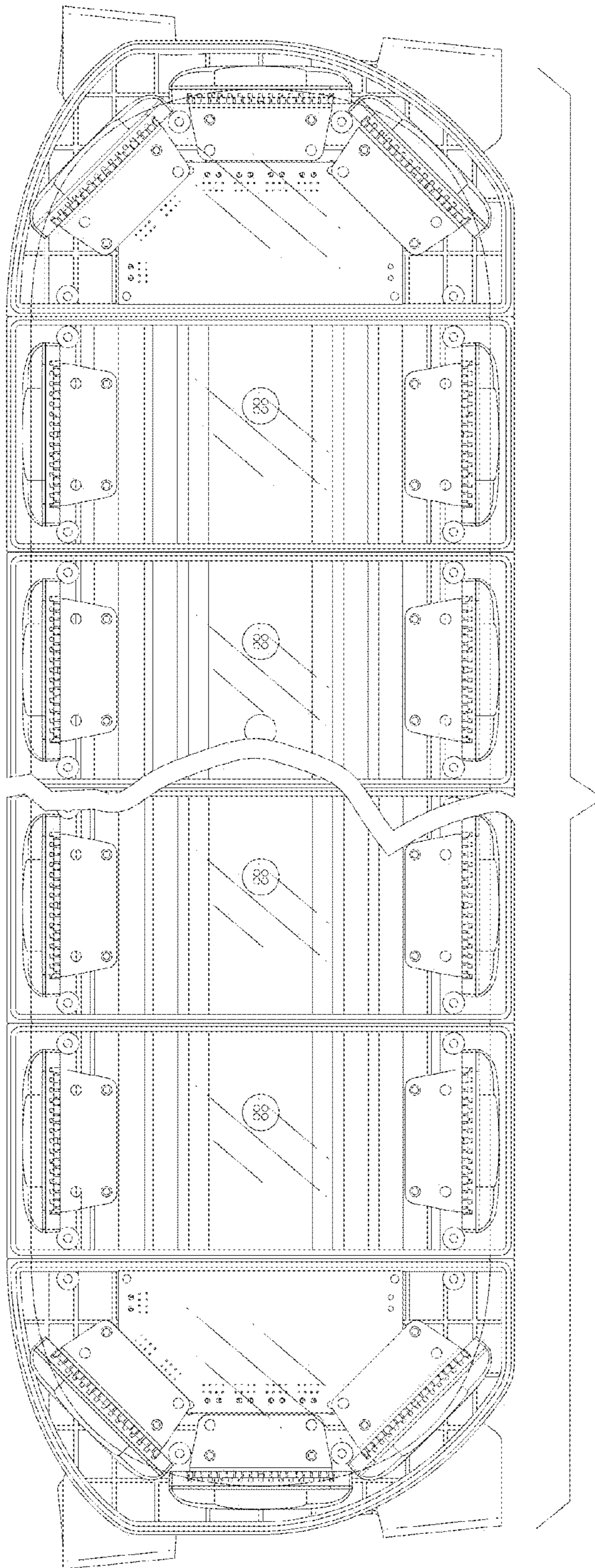


FIG.1

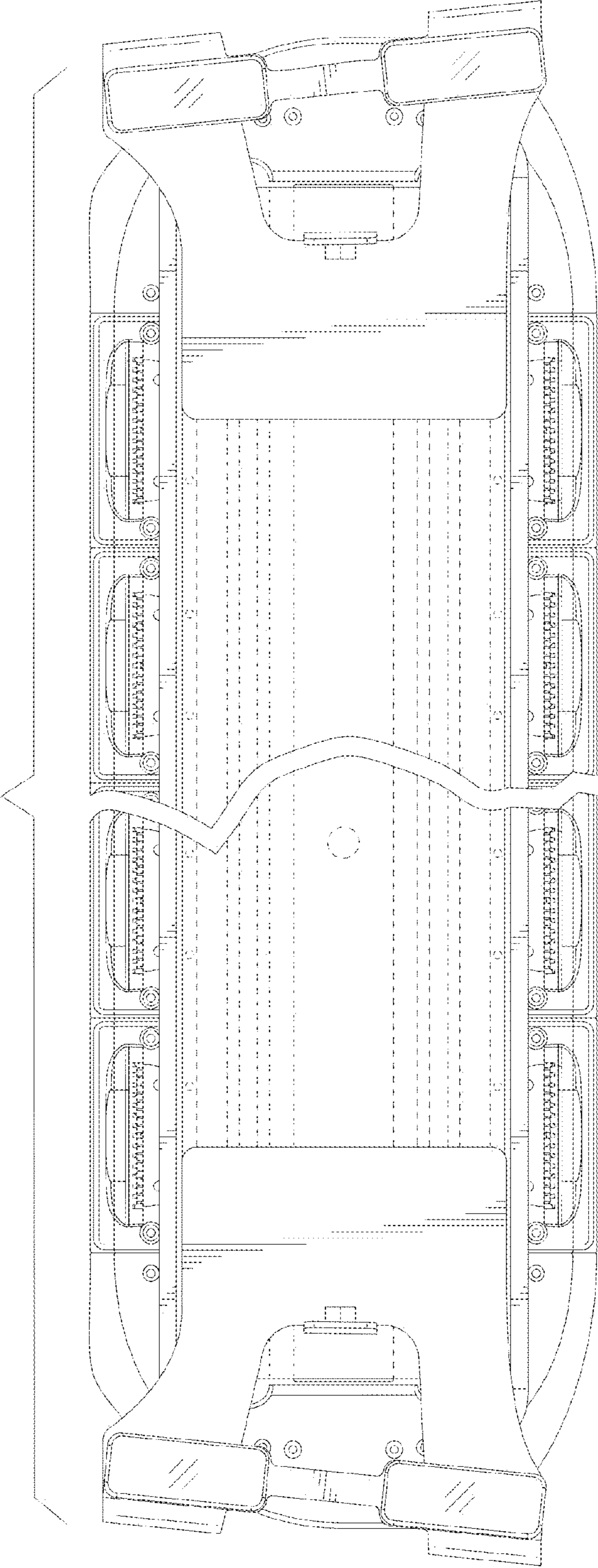


FIG.2

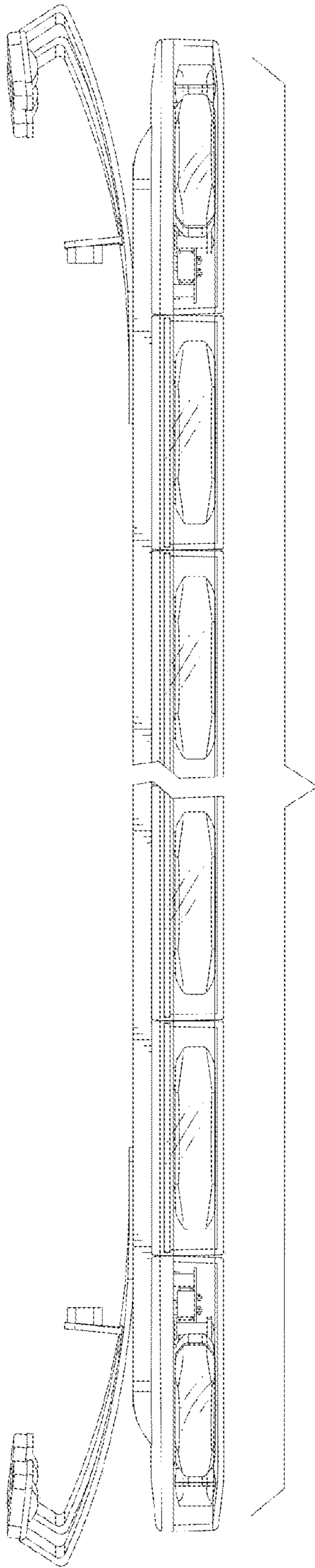


FIG.3

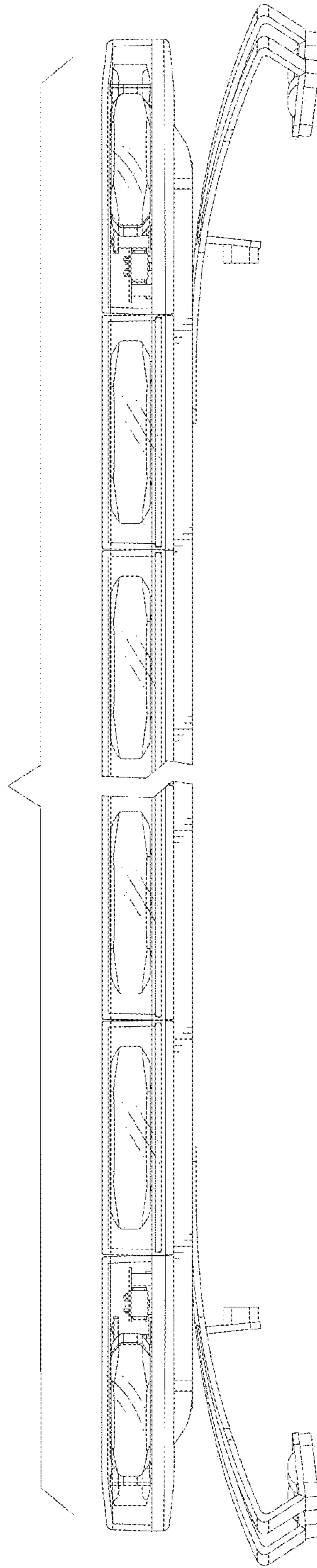


FIG.4

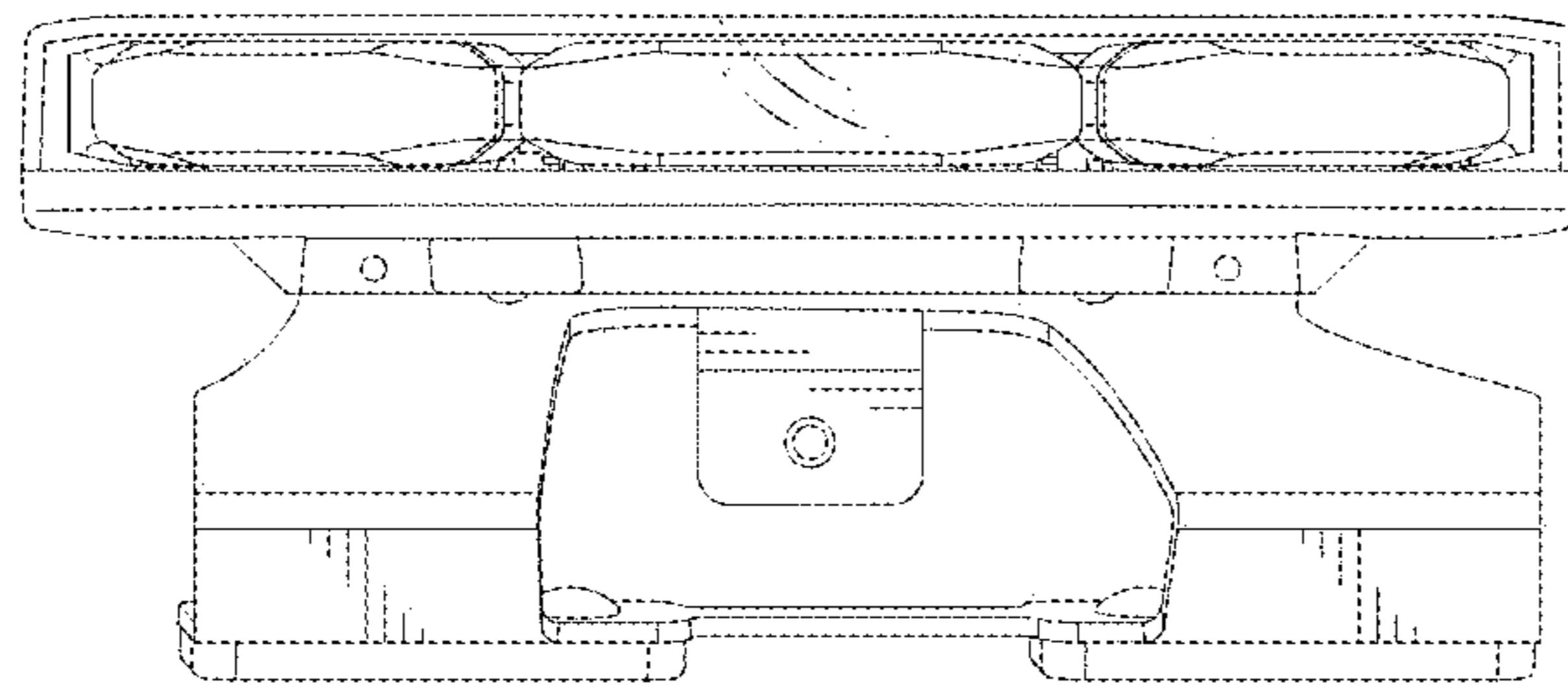


FIG.5

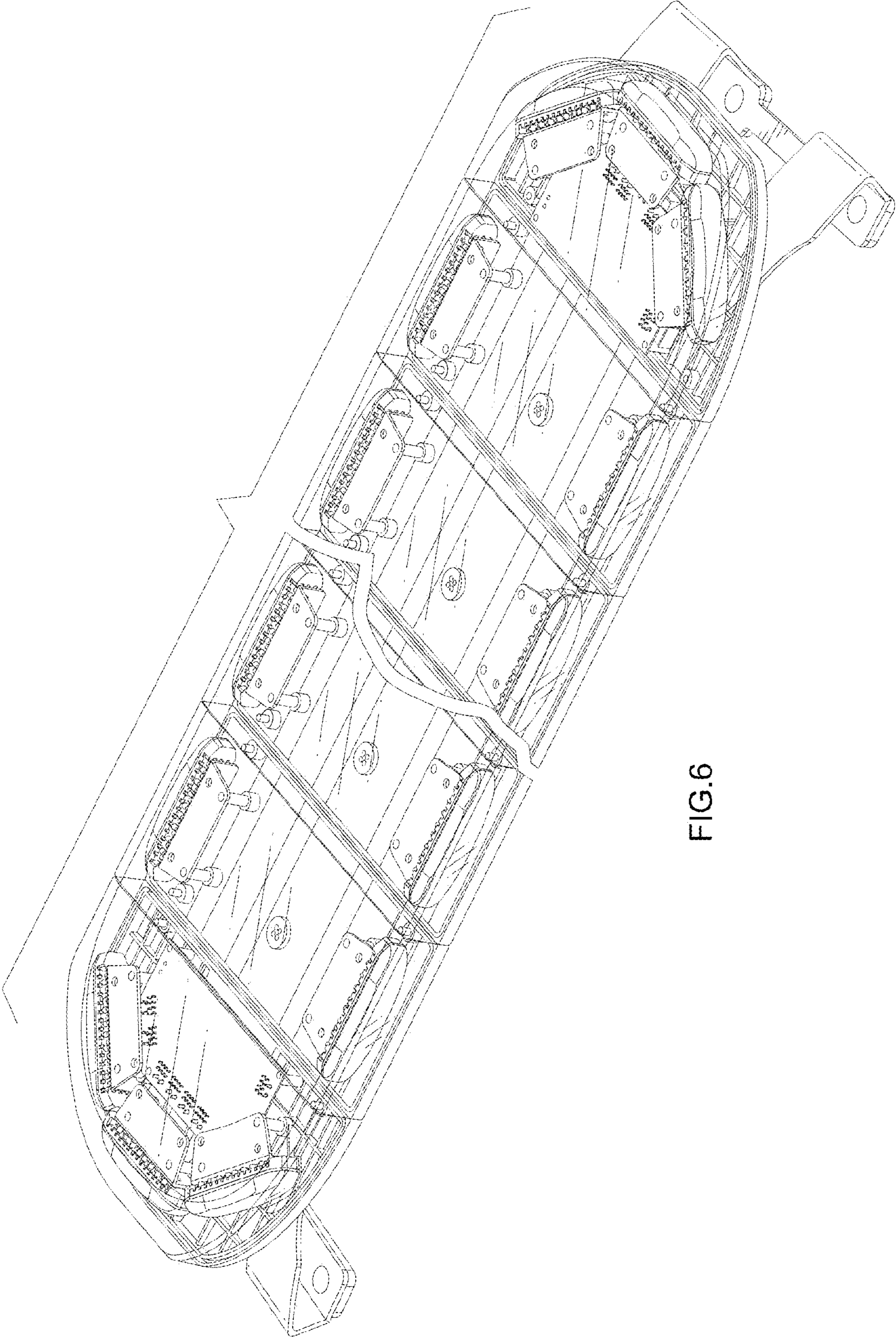


FIG. 6

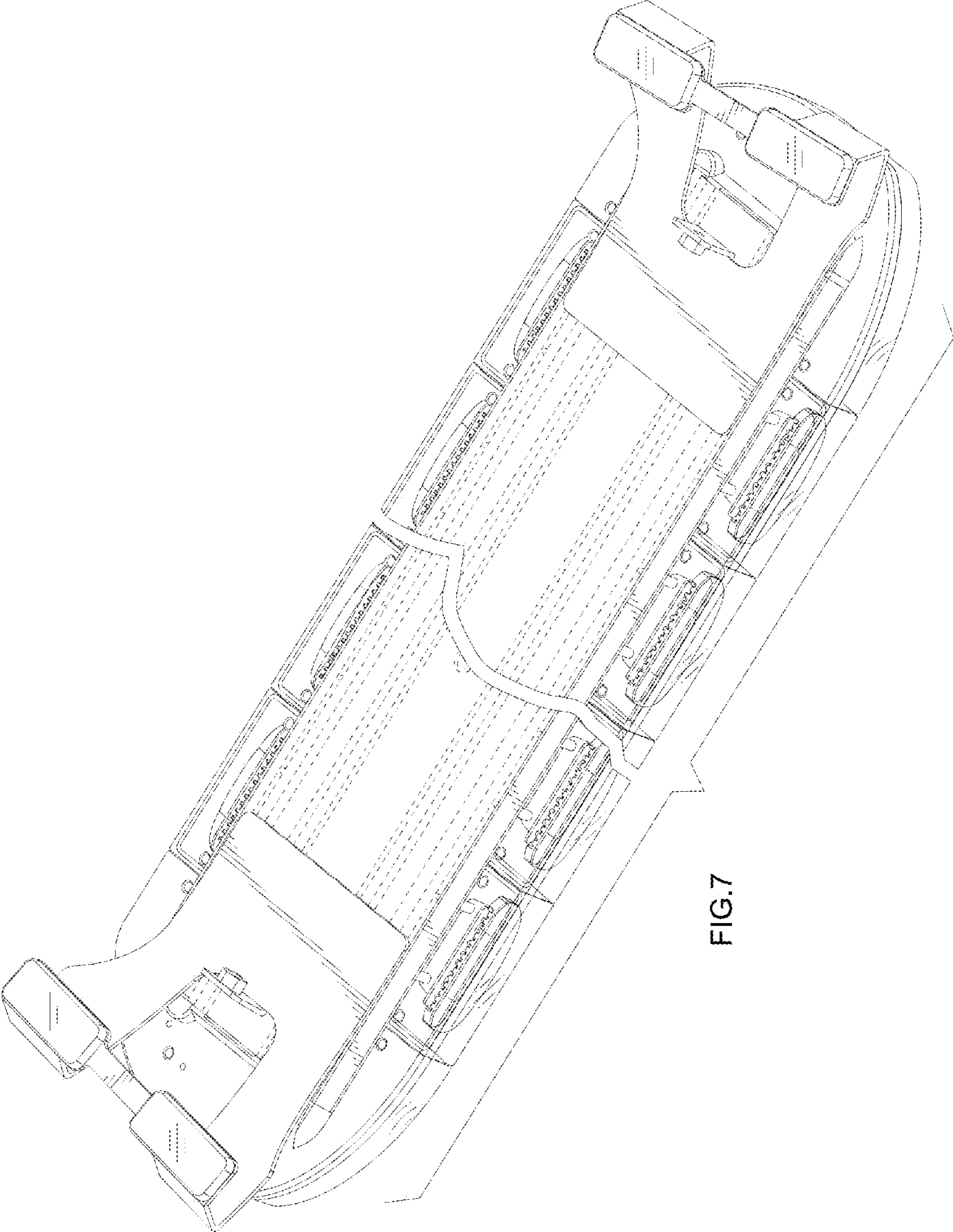


FIG.7

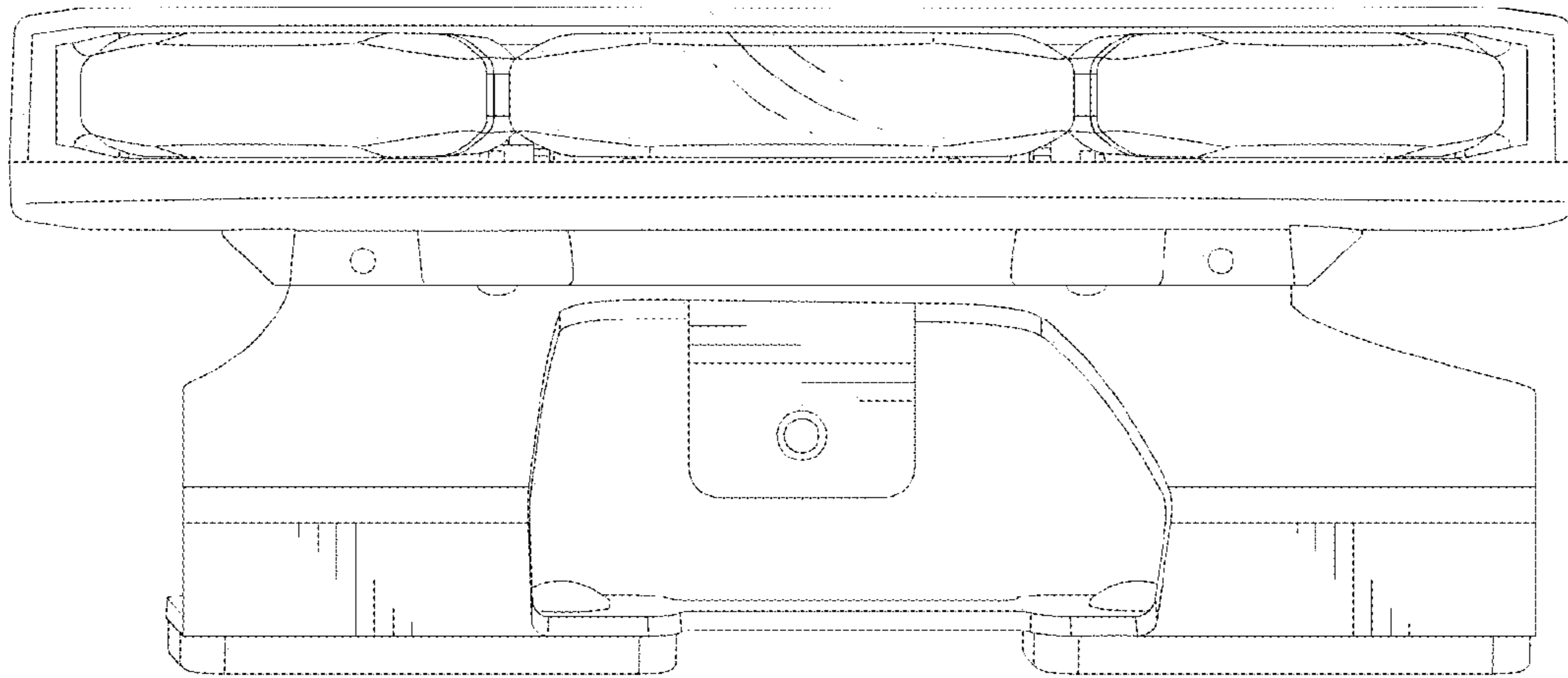


FIG.8

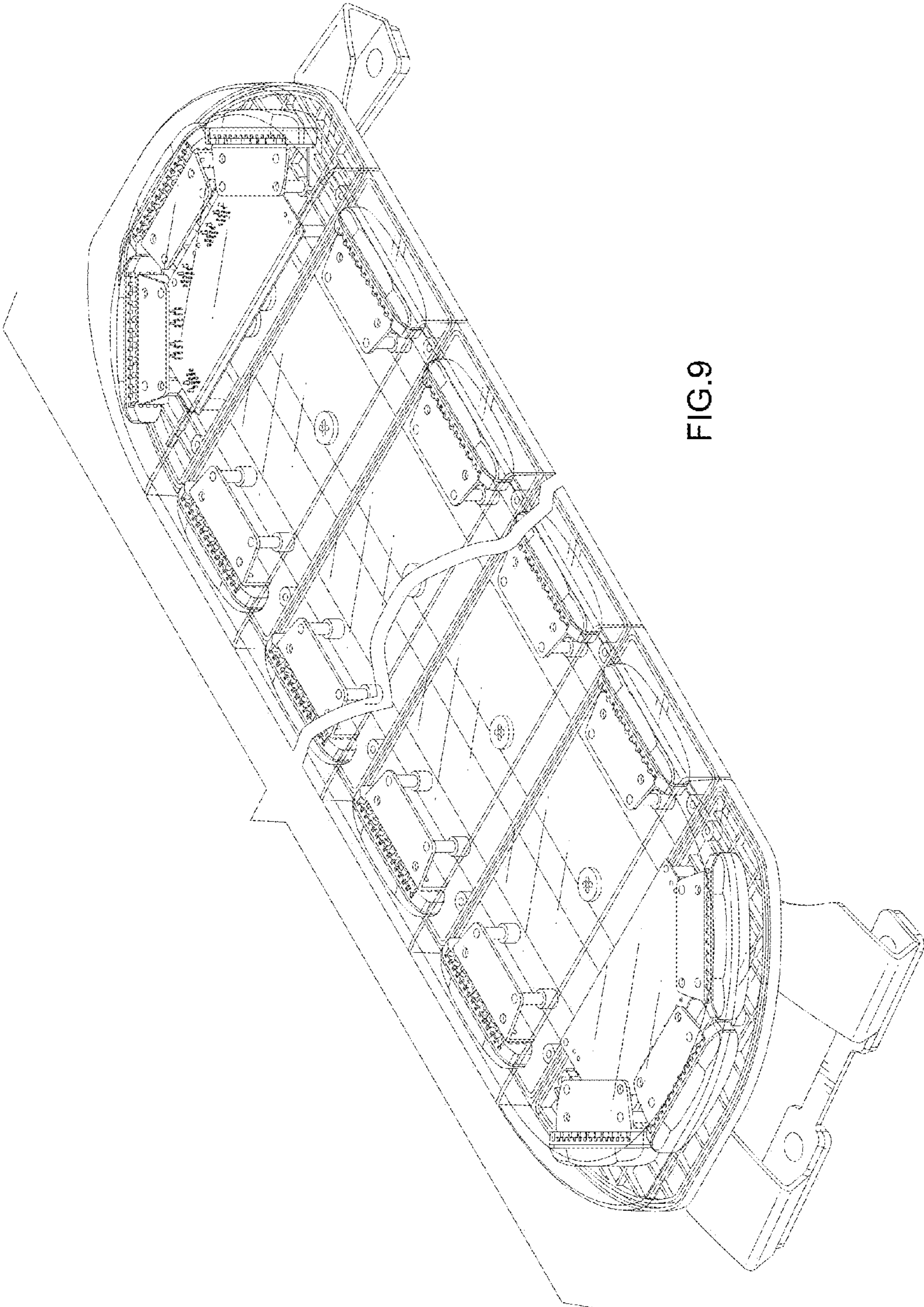


FIG.9

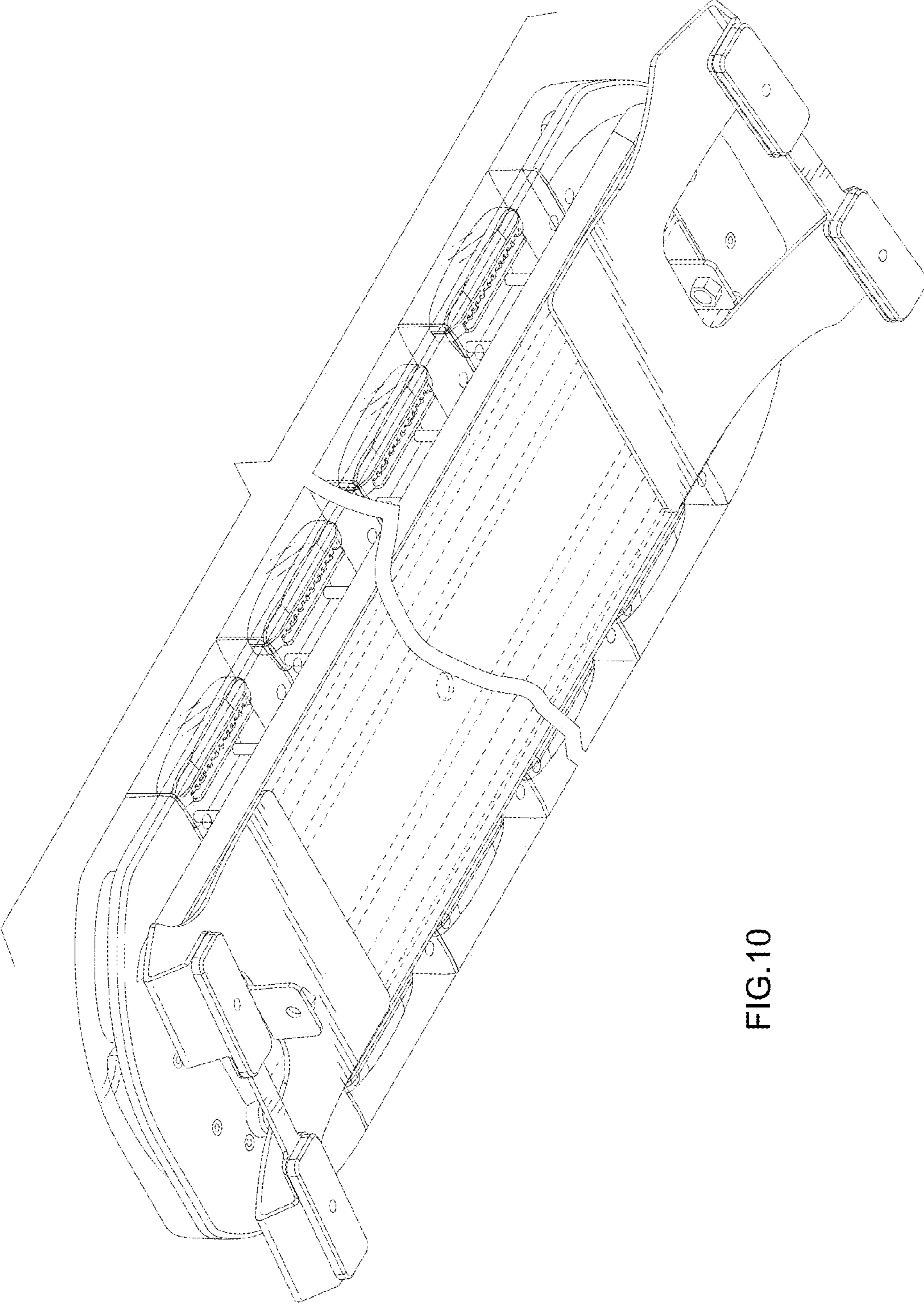


FIG.10

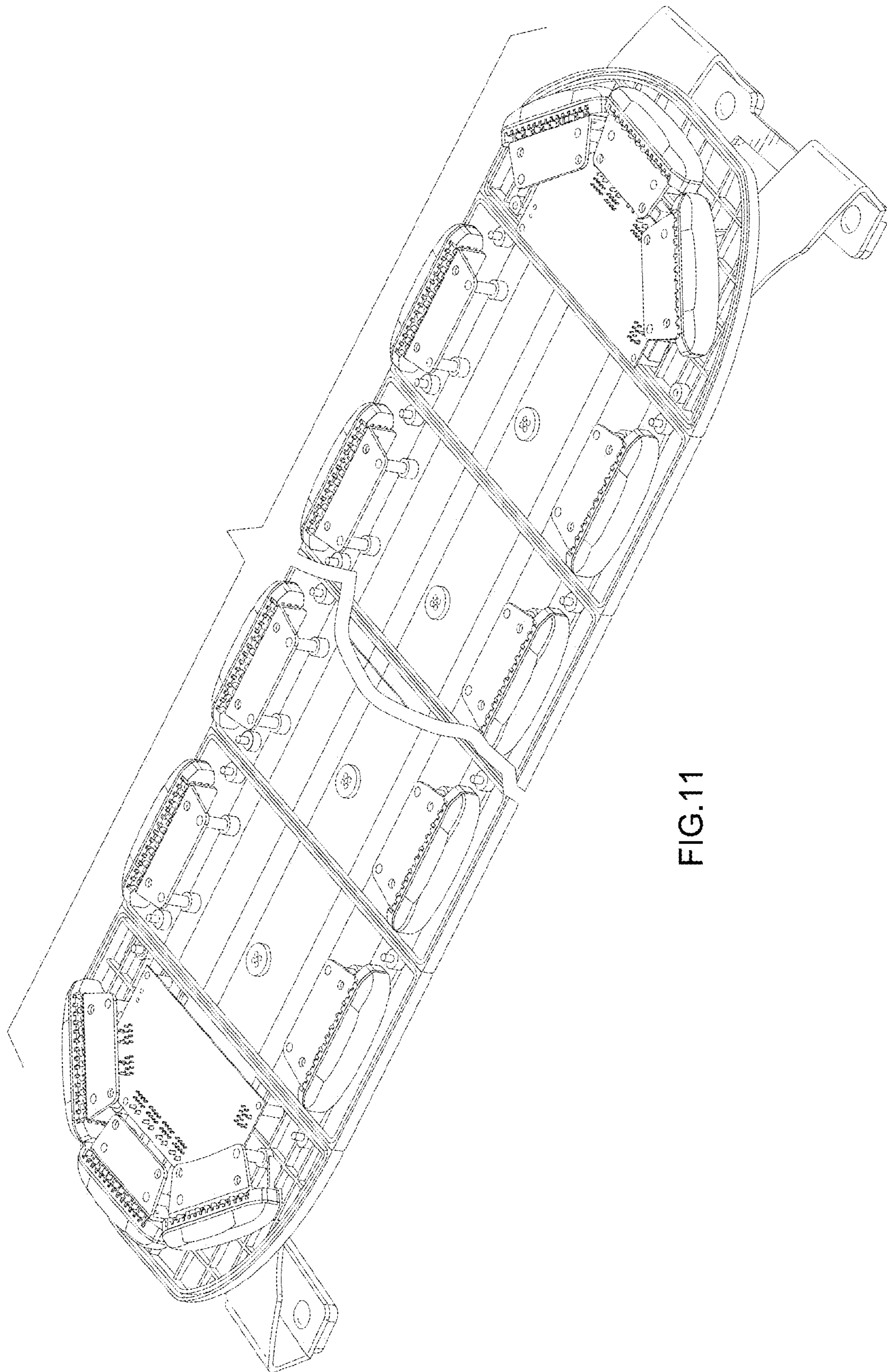


FIG. 11