



US00D750522S

(12) **United States Design Patent**
Bean et al.

(10) **Patent No.:** **US D750,522 S**
(45) **Date of Patent:** **** *Mar. 1, 2016**

(54) **EARLY STREAMER EMISSION TERMINAL**

(71) Applicant: **Alltec, LLC**, Canton, NC (US)

(72) Inventors: **Christopher A. Bean**, Canton, NC (US);
Woei Chiang Lee, Hong Kong (CN)

(73) Assignee: **Alltec, LLC**, Canton, NC (US)

(*) Notice: This patent is subject to a terminal disclaimer.

(**) Term: **14 Years**

(21) Appl. No.: **29/432,967**

(22) Filed: **Sep. 24, 2012**

Related U.S. Application Data

(63) Continuation of application No. 29/364,667, filed on Jun. 25, 2010, now Pat. No. Des. 670,591.

(51) **LOC (10) Cl.** **10-05**

(52) **U.S. Cl.**
USPC **D10/105**

(58) **Field of Classification Search**
USPC D10/105; 361/231
See application file for complete search history.

(56) **References Cited**

U.S. PATENT DOCUMENTS

4,760,213 A 7/1988 Gumley
D305,309 S 1/1990 Heary

D326,422 S * 5/1992 Heary D10/105
D339,307 S 9/1993 Heary
5,998,731 A 12/1999 Takamura
6,069,314 A 5/2000 Varela
6,320,119 B1 11/2001 Gumley
6,597,559 B2 7/2003 Betts
7,041,895 B1 5/2006 Kim
7,265,961 B2 9/2007 D'Alessandro
7,495,168 B2 2/2009 Park
8,232,472 B1 7/2012 Bean et al.
D670,591 S 11/2012 Bean et al.

OTHER PUBLICATIONS

U.S. Notice of Allowance/Allowability dated Jun. 26, 2012 in U.S. Appl. No. 29/364,667.
U.S. Appl. No. 13/543,057, filed Jul. 6, 2012, Bean.
U.S. Official Action dated Jul. 2, 2013 in U.S. Appl. No. 13/543,057.

* cited by examiner

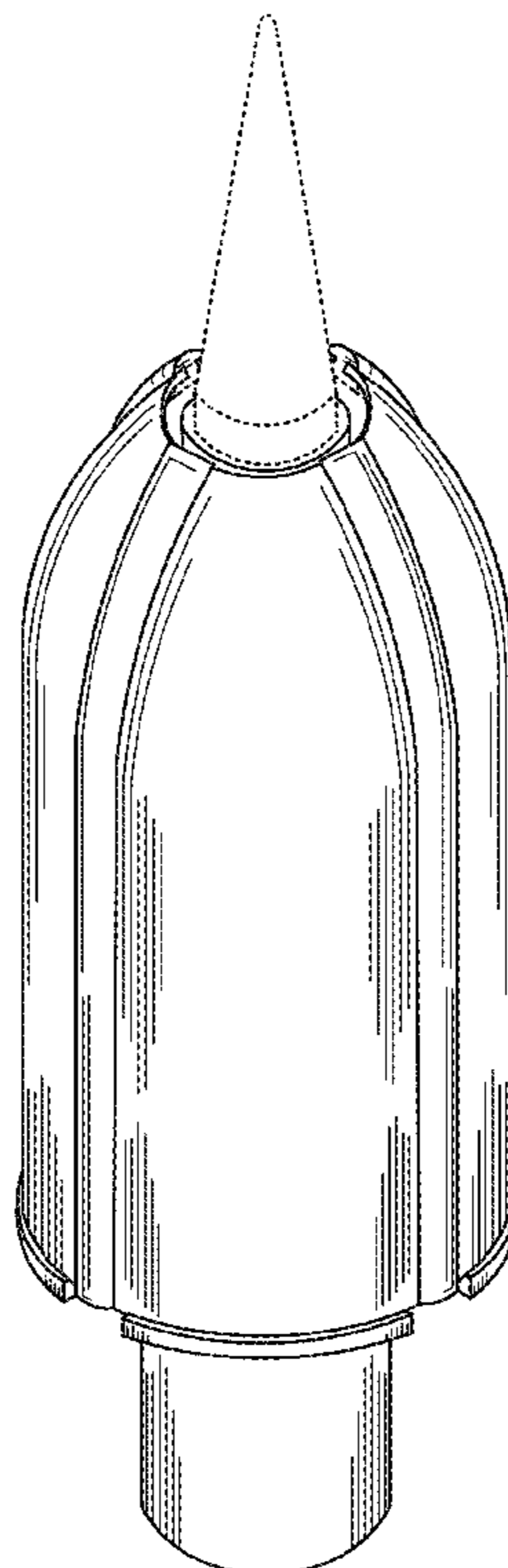
Primary Examiner — George D Kirschbaum
(74) *Attorney, Agent, or Firm* — Lee & Hayes, PLLC

(57) **CLAIM**
The ornamental design for an early streamer emission terminal, as shown and described.

DESCRIPTION

FIG. 1 is a perspective view of an early streamer emission terminal, according to an exemplary embodiment.
FIG. 2 is a side elevation view thereof, the opposite sides being a mirror image.
FIG. 3 is a top plan view thereof; and,
FIG. 4 is a bottom plan view thereof.

1 Claim, 4 Drawing Sheets



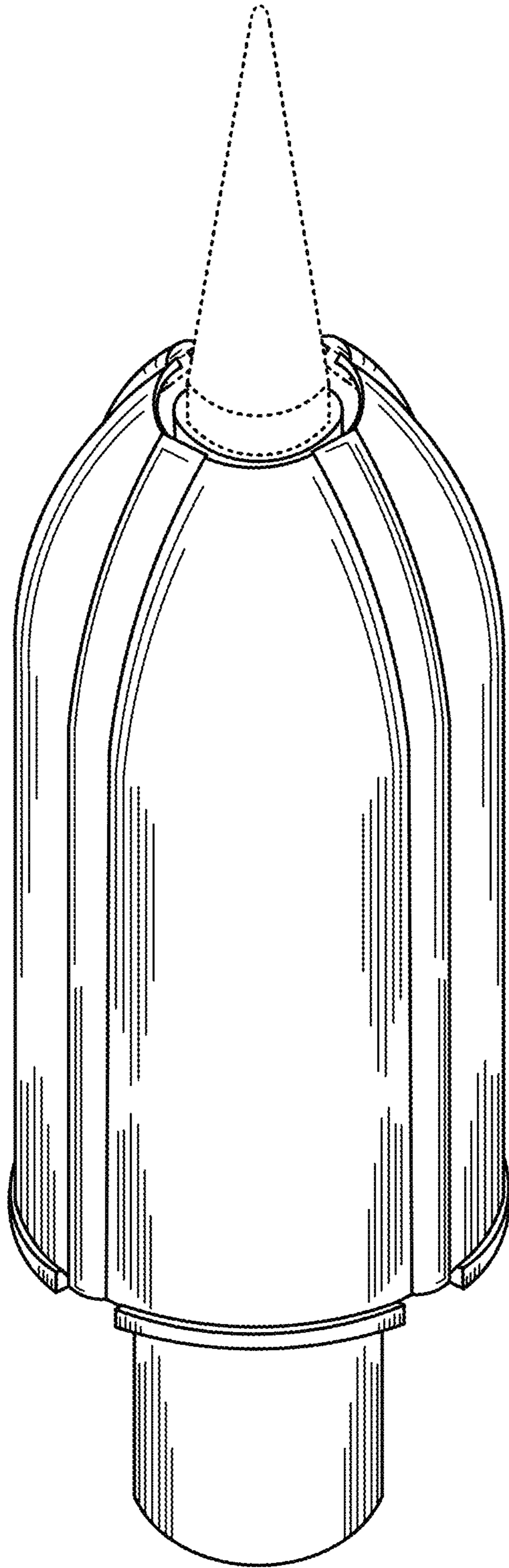


Fig. 1

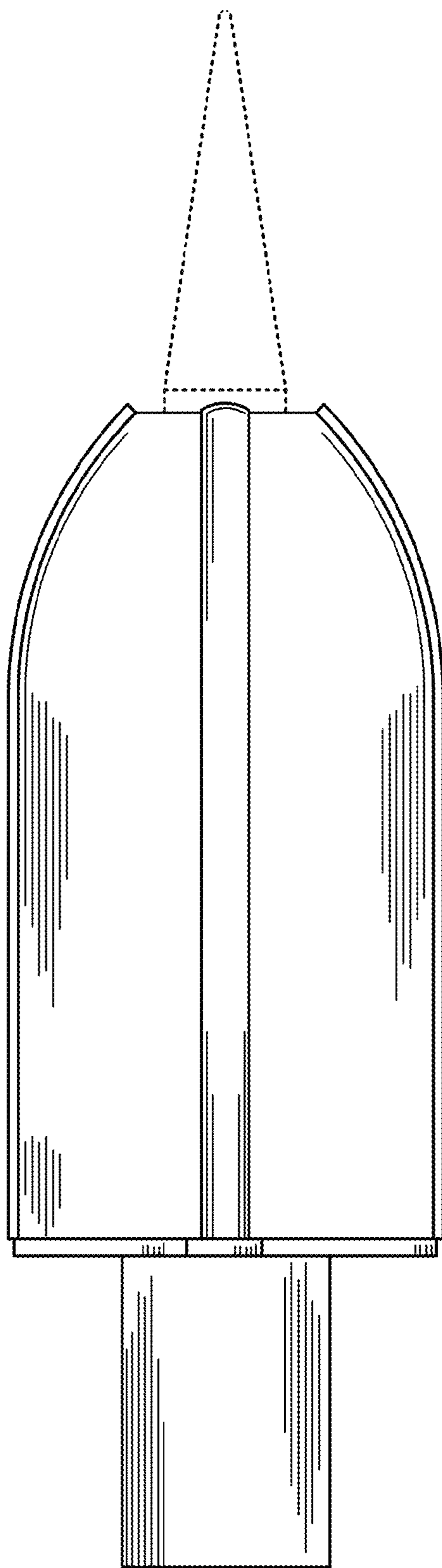


Fig. 2

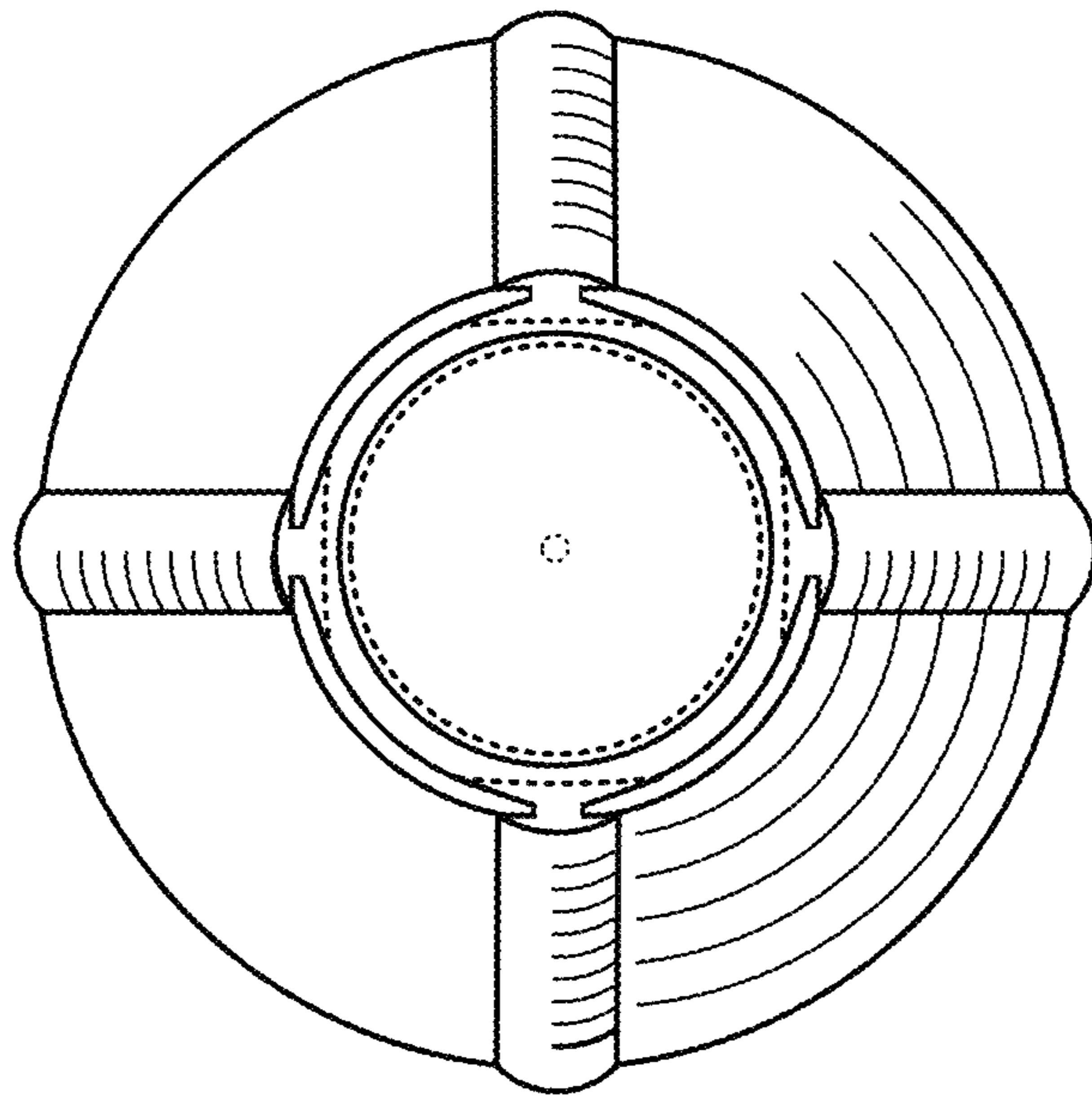


Fig. 3

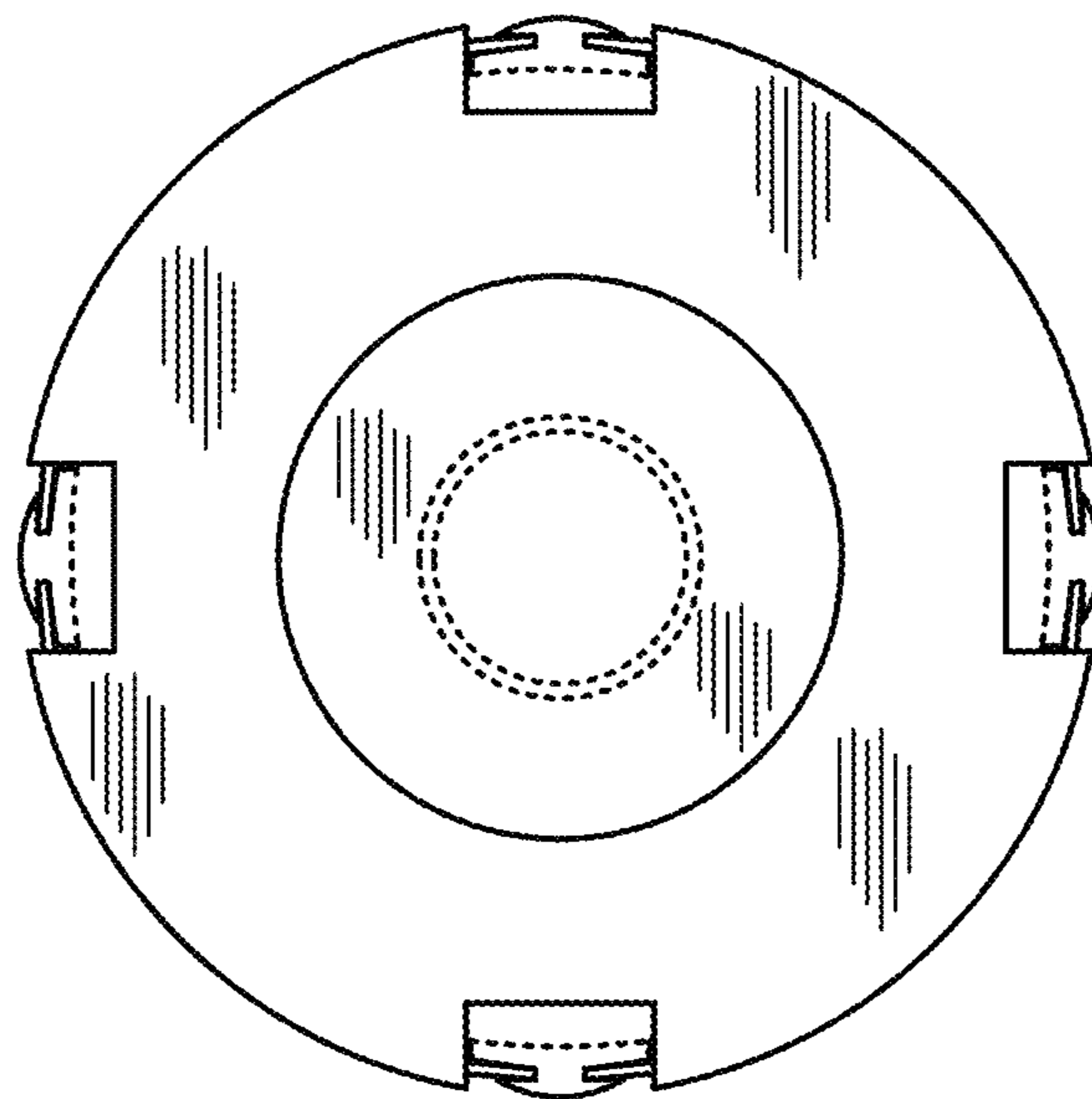


Fig. 4