



US00D750521S

(12) **United States Design Patent**  
**Poesel et al.**

(10) **Patent No.:** **US D750,521 S**  
(45) **Date of Patent:** **\*\* Mar. 1, 2016**

(54) **ELECTRONIC BRACELET FOR ACCESS CONTROL**

(71) Applicant: **GANTNER ELECTRONIC GMBH,**  
Schruns (AT)

(72) Inventors: **Hanno Poesel,** Feldkirch (AT); **Franz Duenser,** Bludenz (AT); **Elmar Hartmann,** Bludenz (AT)

(73) Assignee: **GANTNER ELECTRONIC GMBH,**  
Schruns (AT)

(\*\*) Term: **14 Years**

(21) Appl. No.: **29/494,034**

(22) Filed: **Jun. 17, 2014**

(30) **Foreign Application Priority Data**

Dec. 17, 2013 (EM) ..... 002371336

(51) **LOC (10) Cl.** ..... **10-05**

(52) **U.S. Cl.**  
USPC ..... **D10/104.1**

(58) **Field of Classification Search**  
USPC ..... D10/104.1, 104.2, 31, 32  
CPC ..... G06T 1/20  
See application file for complete search history.

(56) **References Cited**

U.S. PATENT DOCUMENTS

D519,396 S *	4/2006	Migliorati .....	D10/32
D564,367 S *	3/2008	Molyneux .....	D10/31
D565,427 S *	4/2008	Ellner .....	D10/31
2015/0186092 A1 *	7/2015	Francis .....	G06T 1/20 345/520

\* cited by examiner

*Primary Examiner* — George D Kirschbaum

(74) *Attorney, Agent, or Firm* — Browdy and Neimark, PLLC

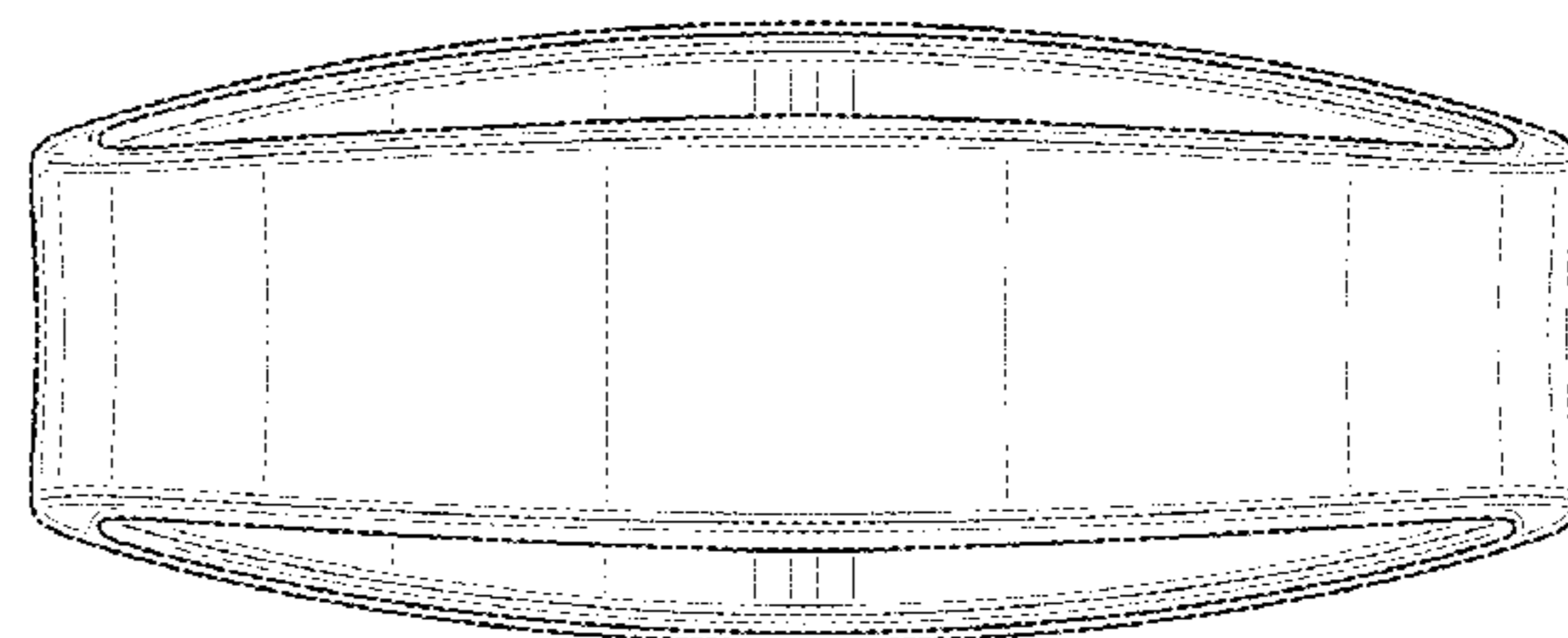
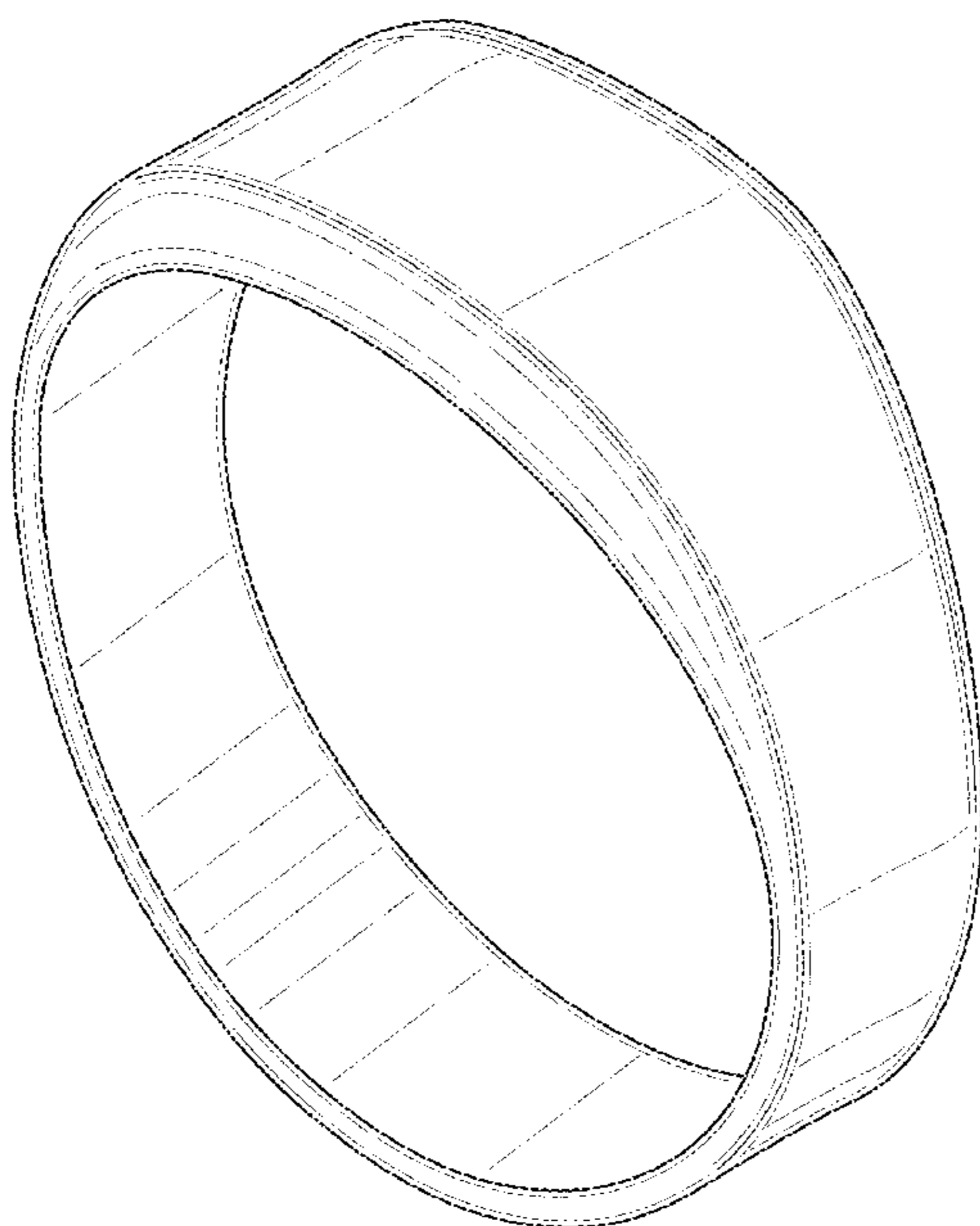
(57) **CLAIM**

The ornamental design for a electronic bracelet for access control, as shown and described.

**DESCRIPTION**

FIG. 1 is a perspective view of an electronic bracelet for access control according showing our new design;  
FIG. 2 is a front view thereof;  
FIG. 3 is a rear view thereof;  
FIG. 4 is a right side view thereof;  
FIG. 5 is a left side view thereof;  
FIG. 6 is a top view thereof;  
FIG. 7 is a bottom view thereof;  
FIG. 8 is a perspective view of a second embodiment of the electronic bracelet for access control;  
FIG. 9 is a front view thereof;  
FIG. 10 is a rear view thereof;  
FIG. 11 is a right side view thereof;  
FIG. 12 is a left side view thereof;  
FIG. 13 is a top view thereof; and,  
FIG. 14 is a bottom view thereof.  
In FIG. 7, the broken lines defining the semi-circular elements on the underside of the band depict environmental subject matter that forms no part of the claimed design.

**1 Claim, 10 Drawing Sheets**



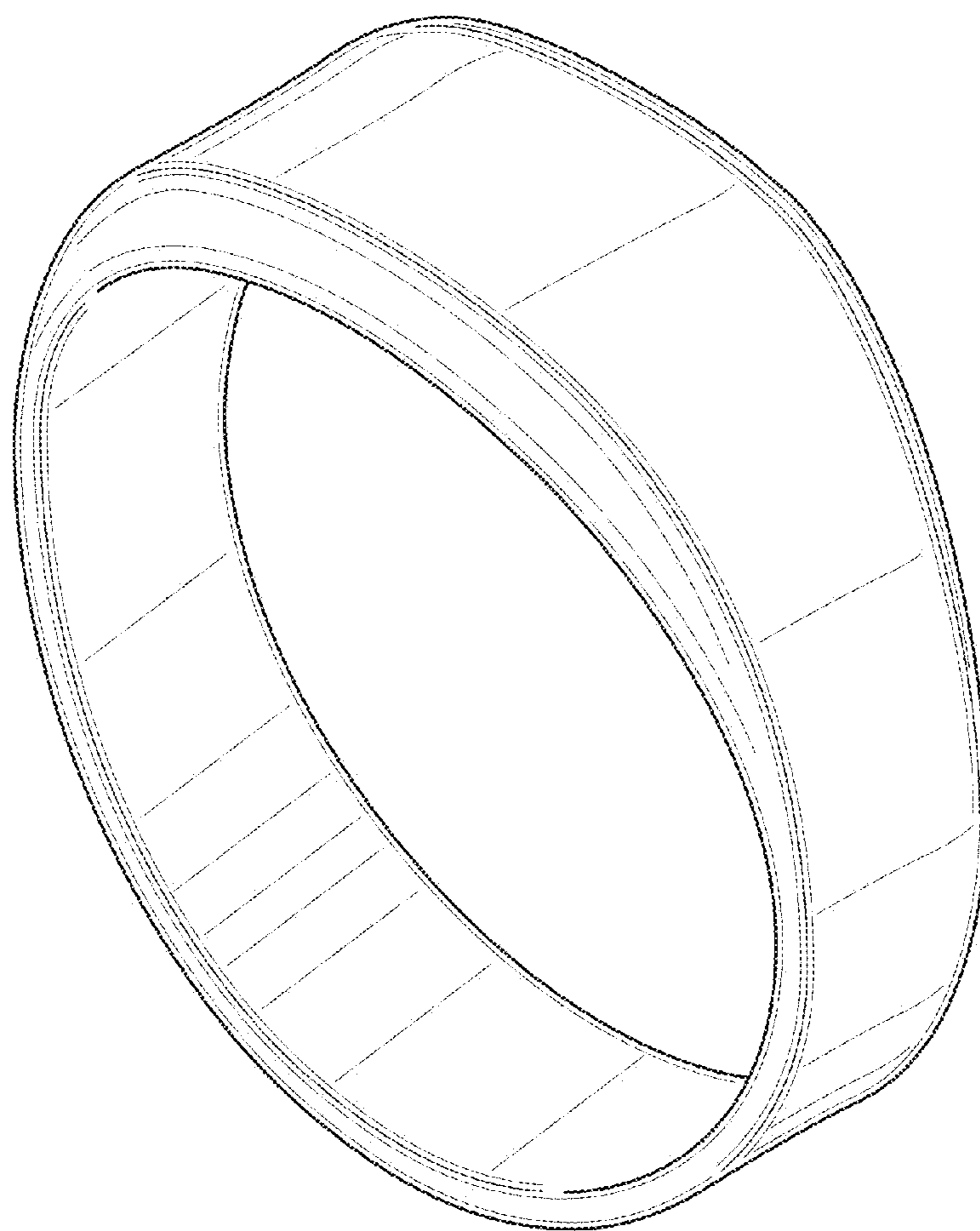


FIG. 1

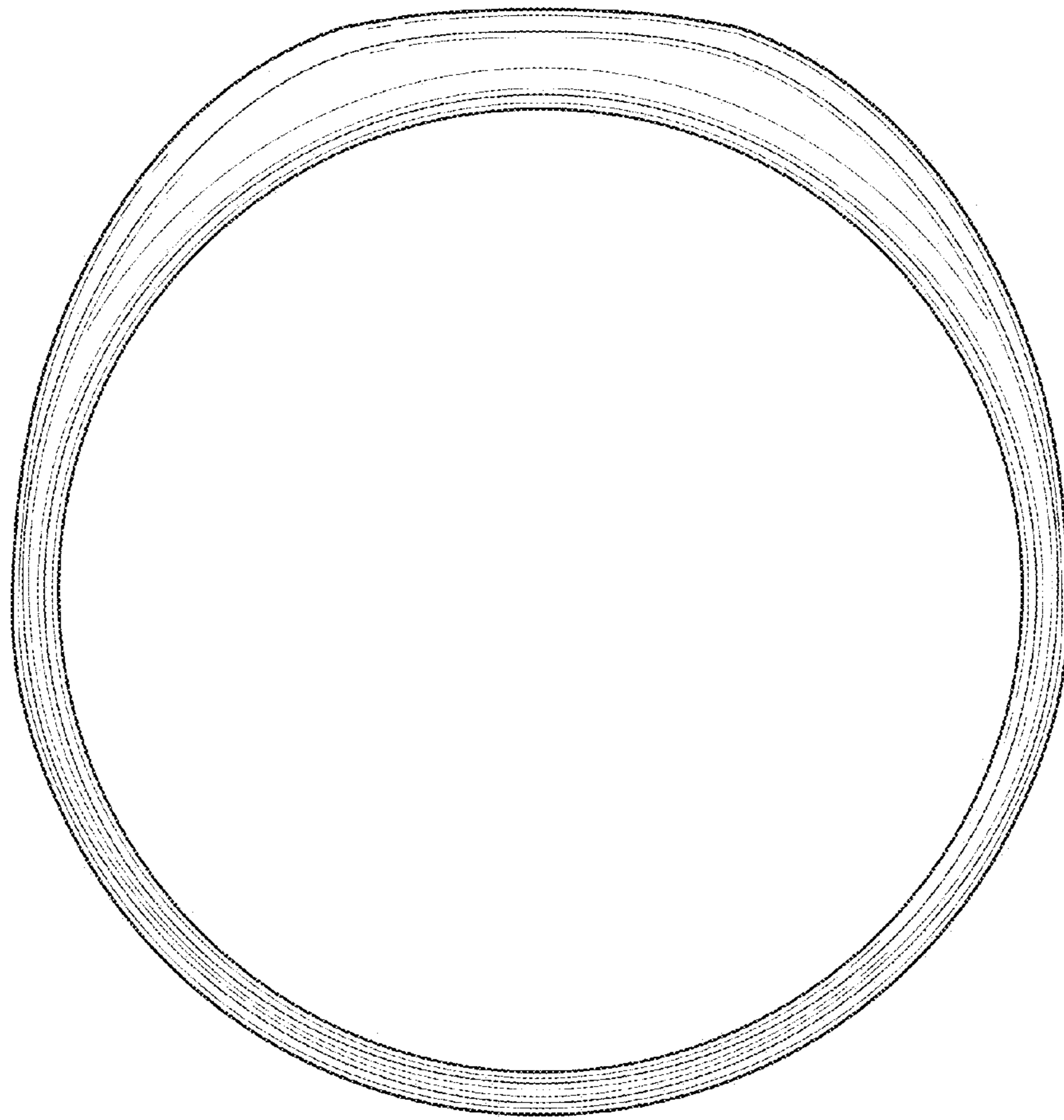


FIG. 2

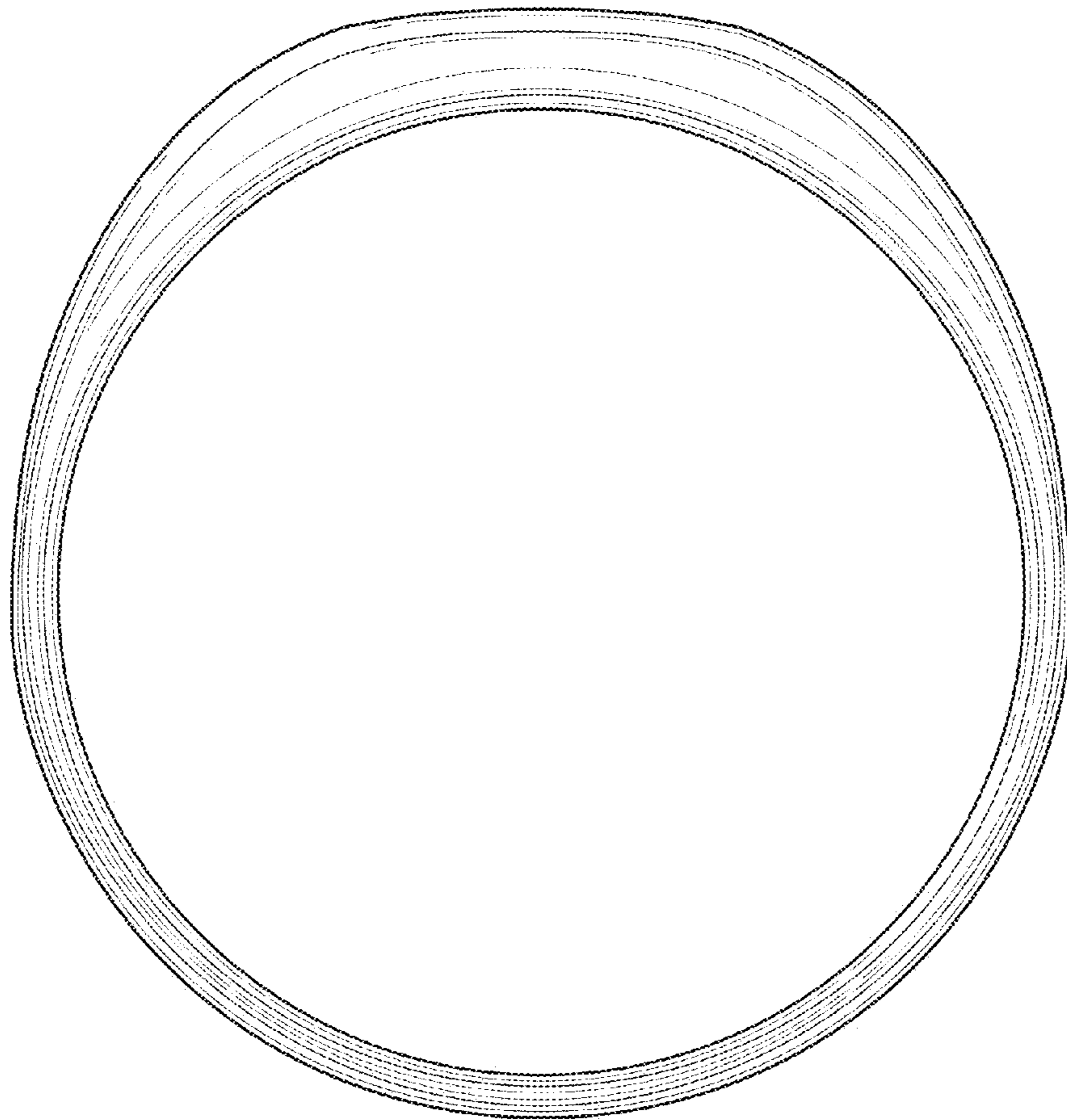


FIG. 3

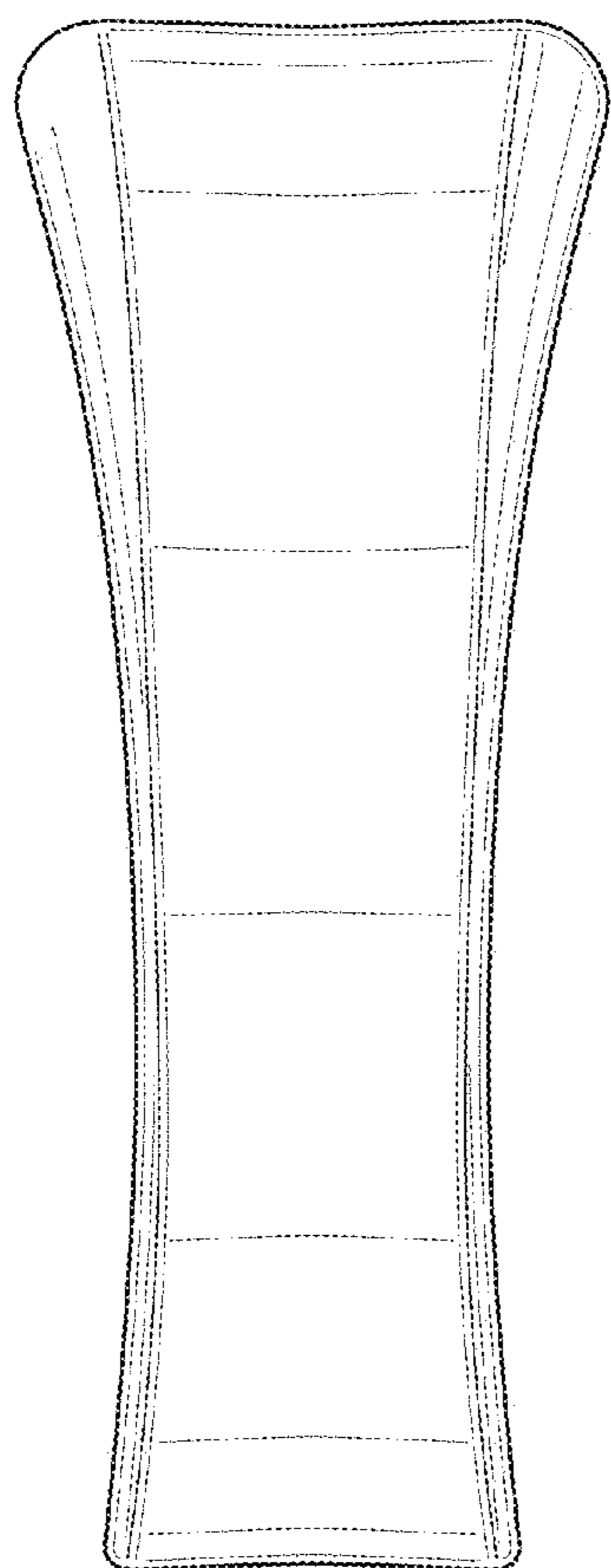


FIG. 4

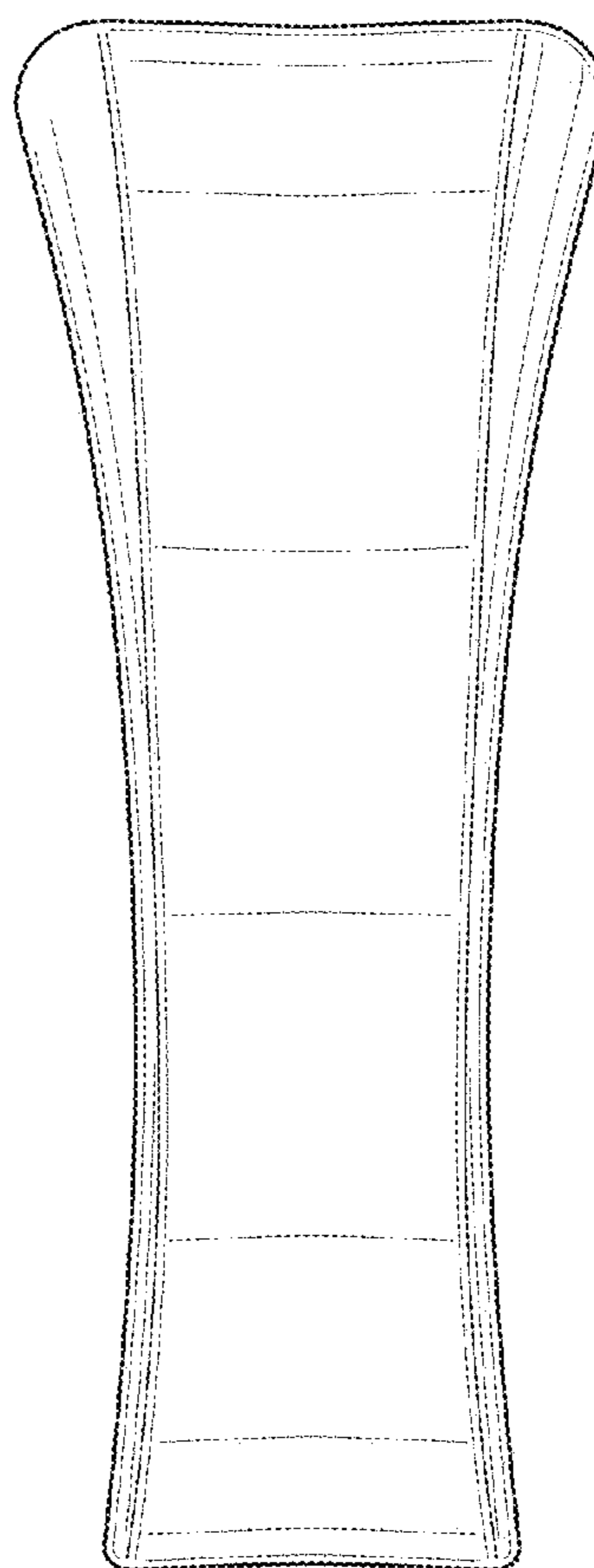


FIG. 5

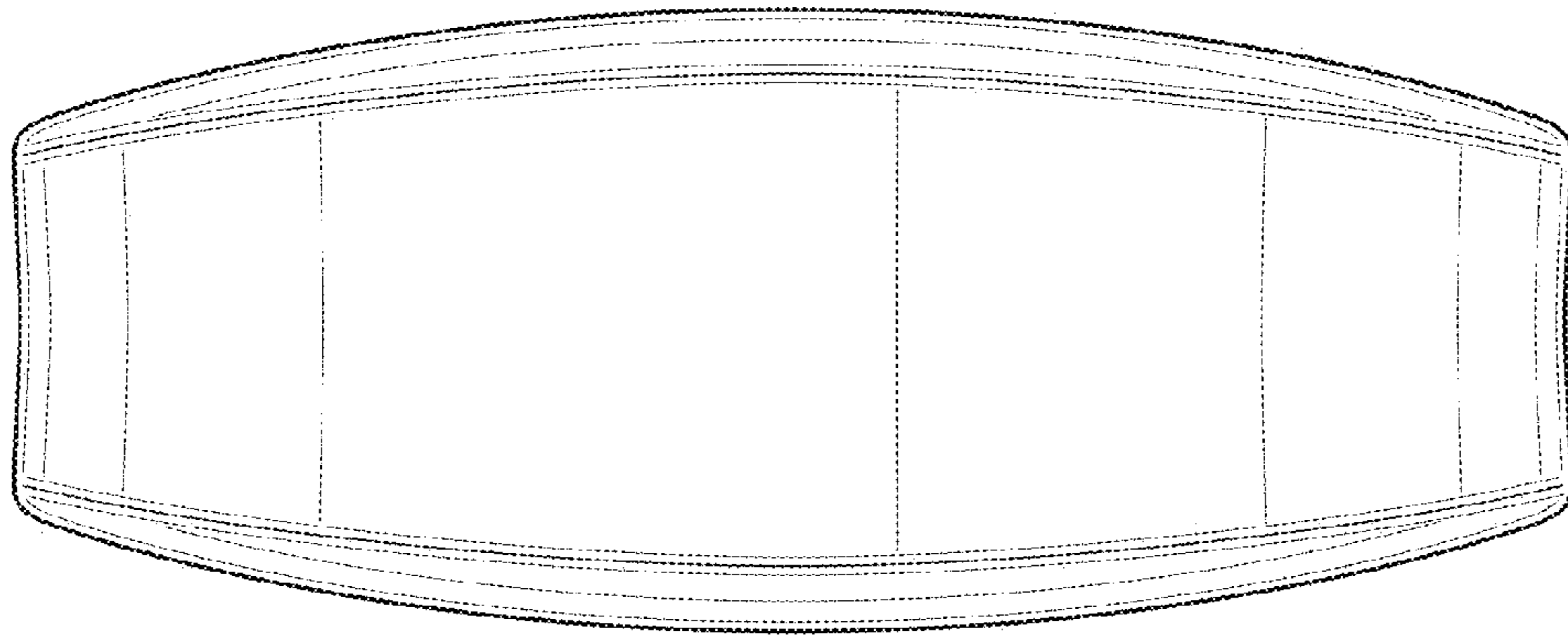


FIG. 6

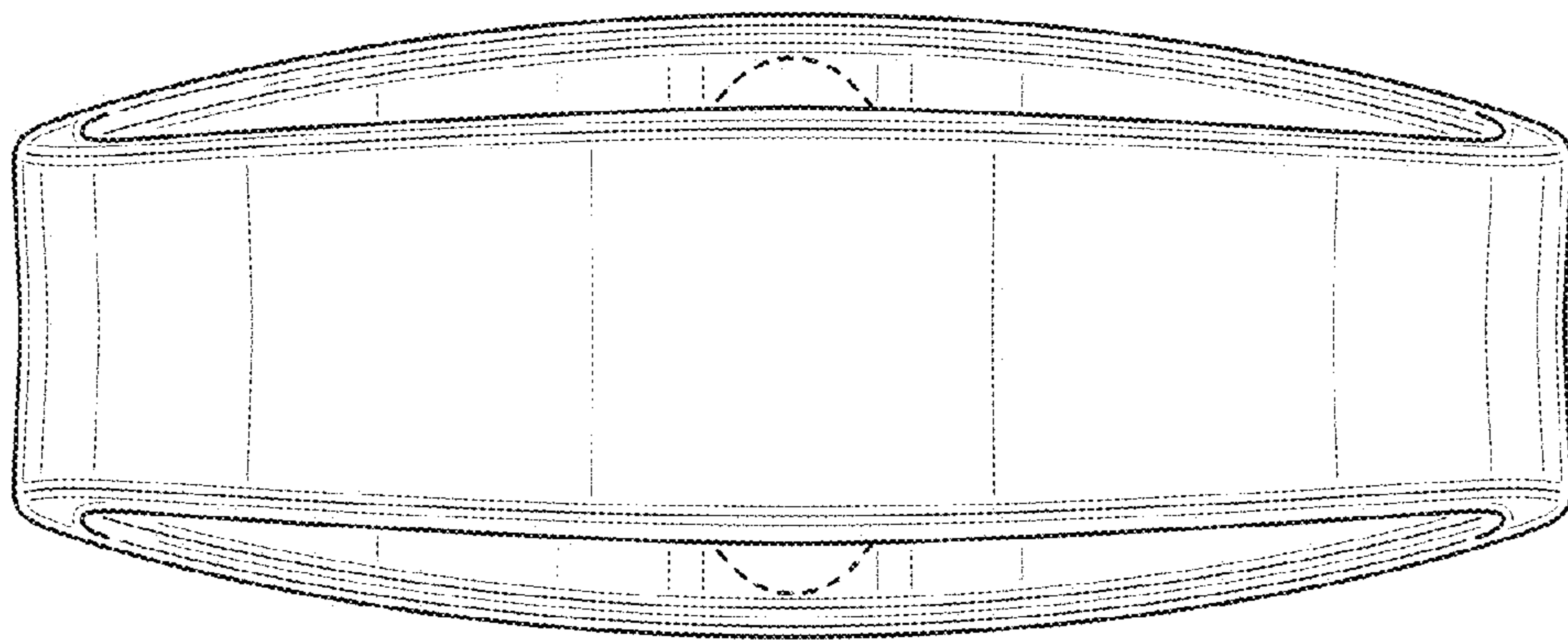


FIG. 7

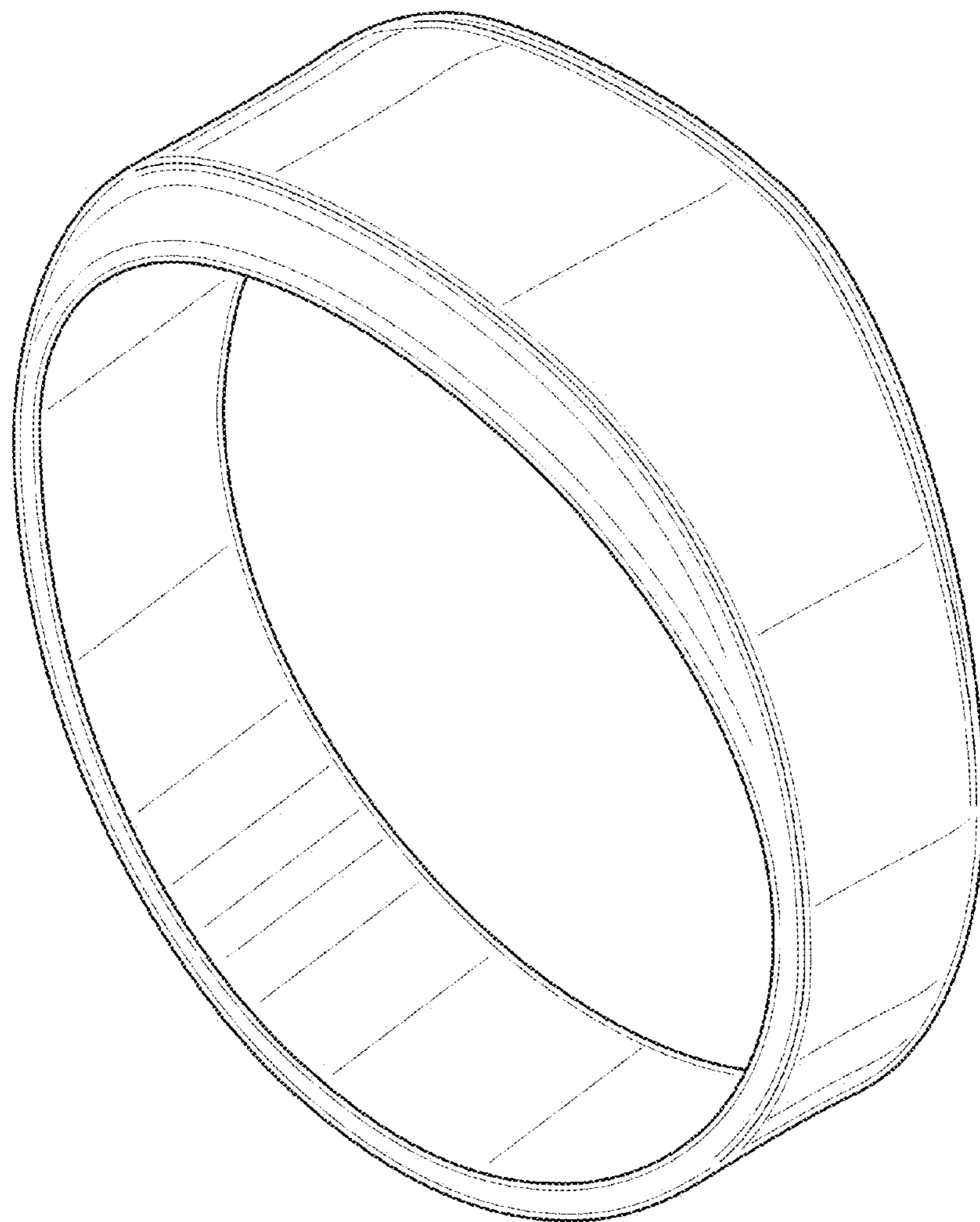


FIG. 8

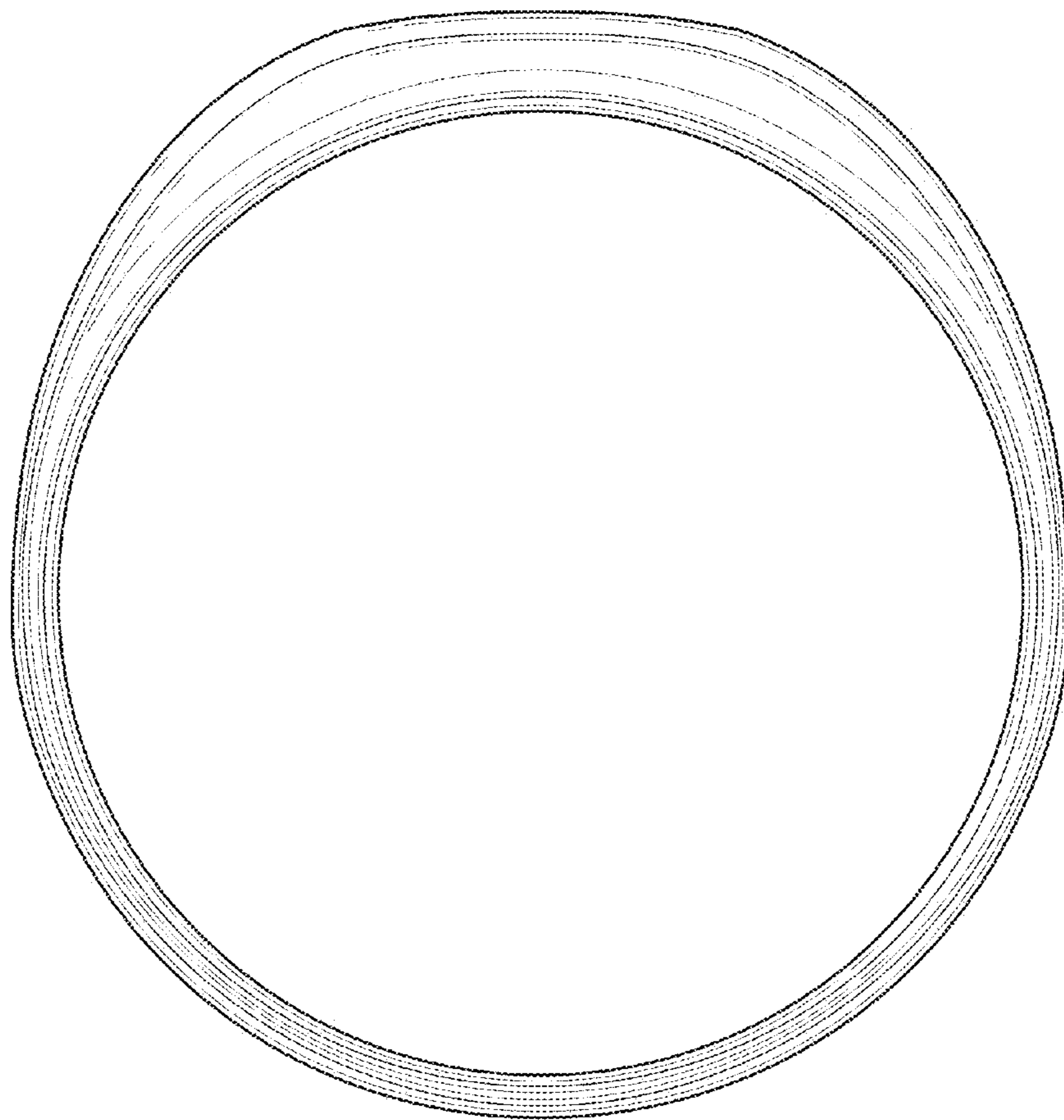


FIG. 9



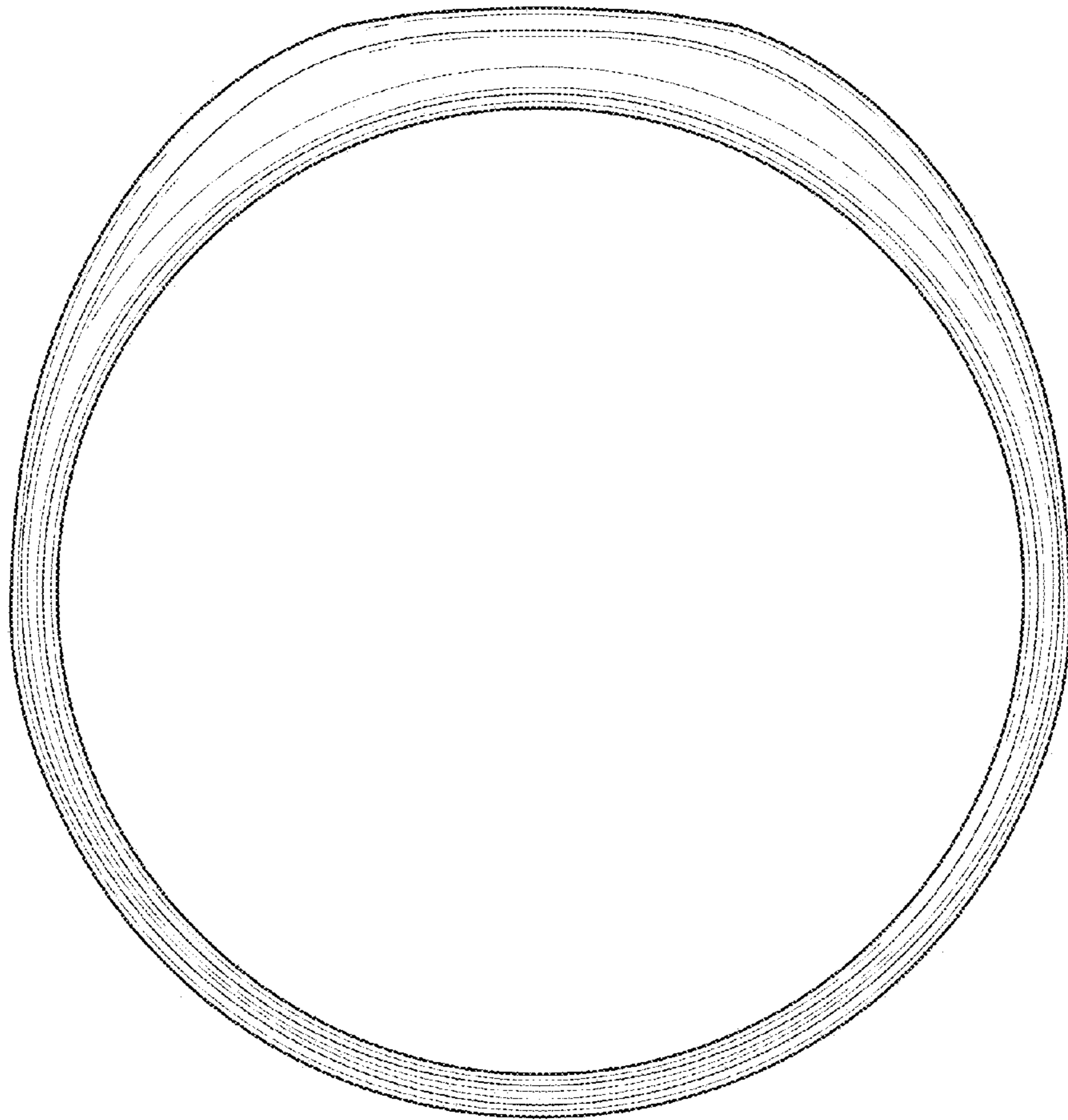


FIG. 10

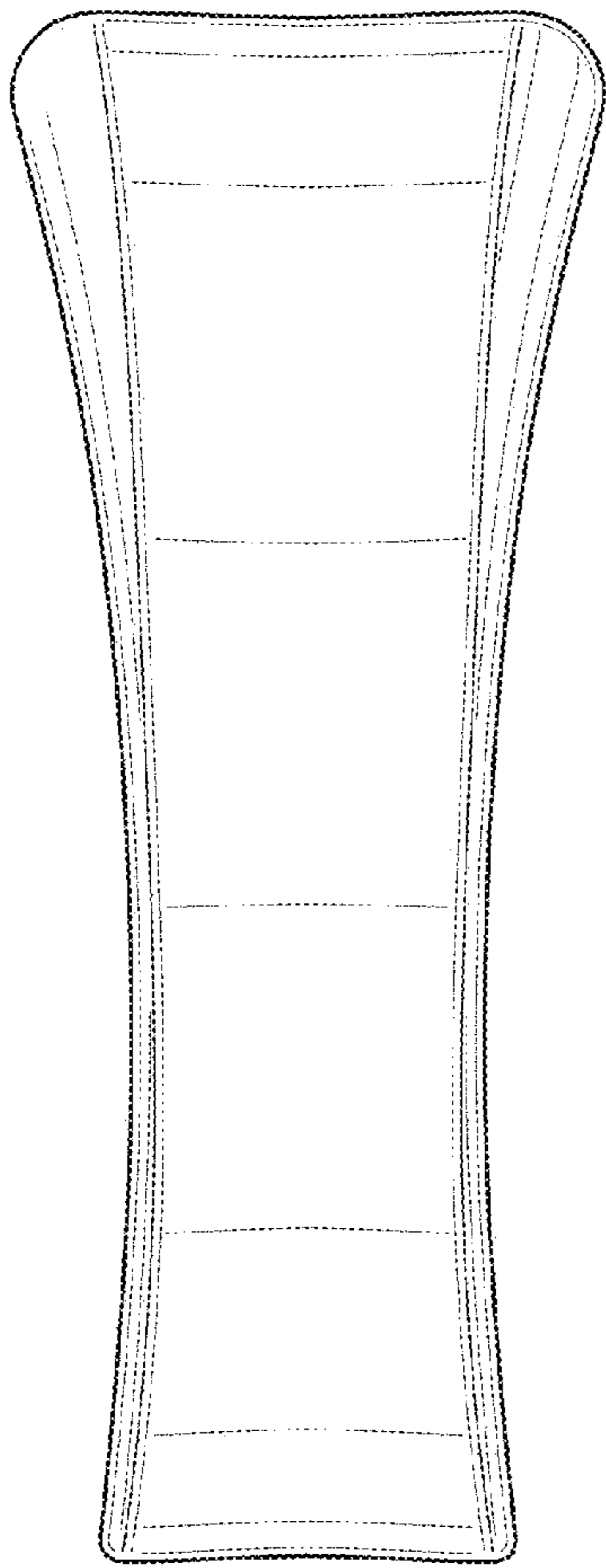


FIG. 11

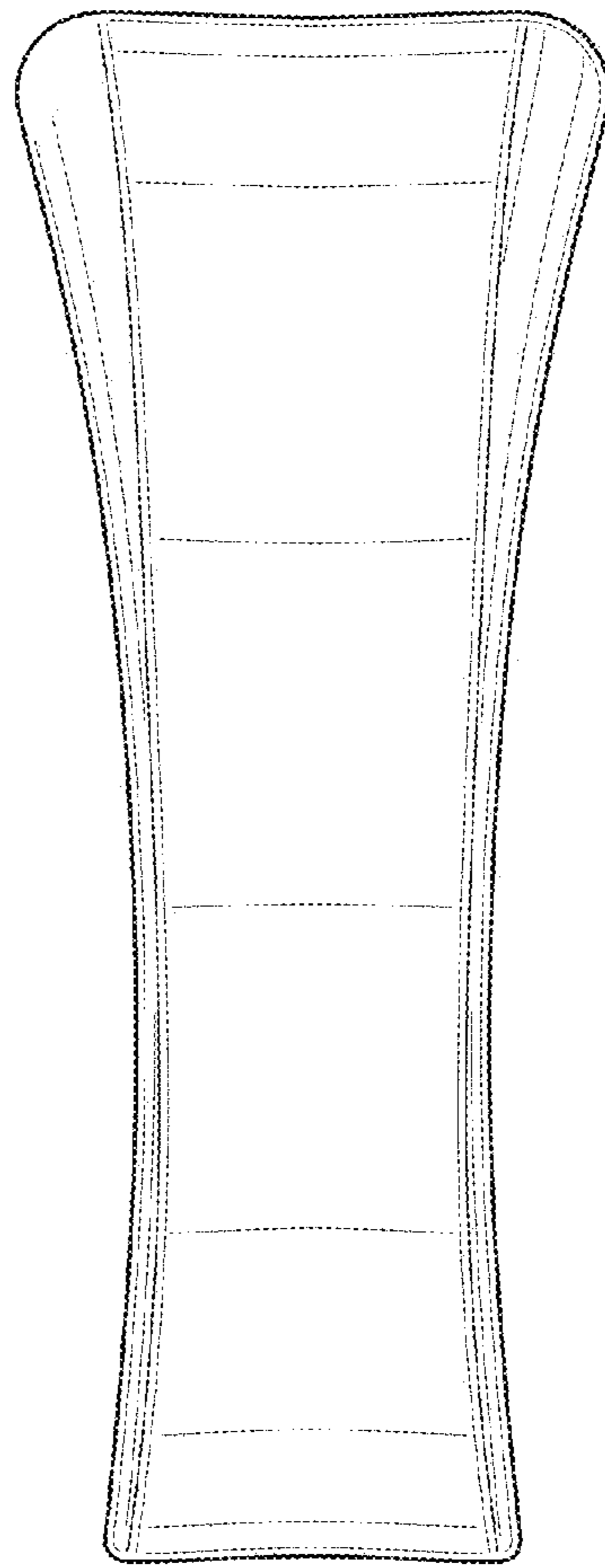


FIG. 12

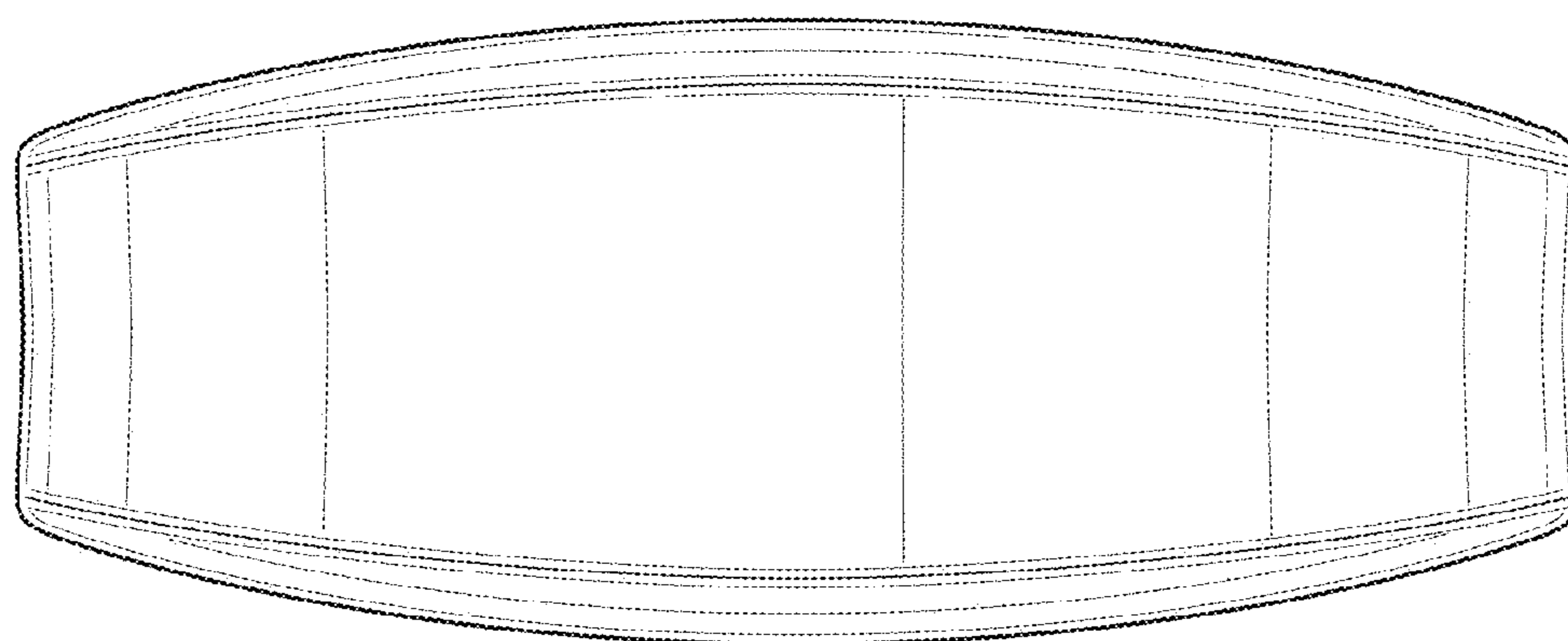


FIG. 13

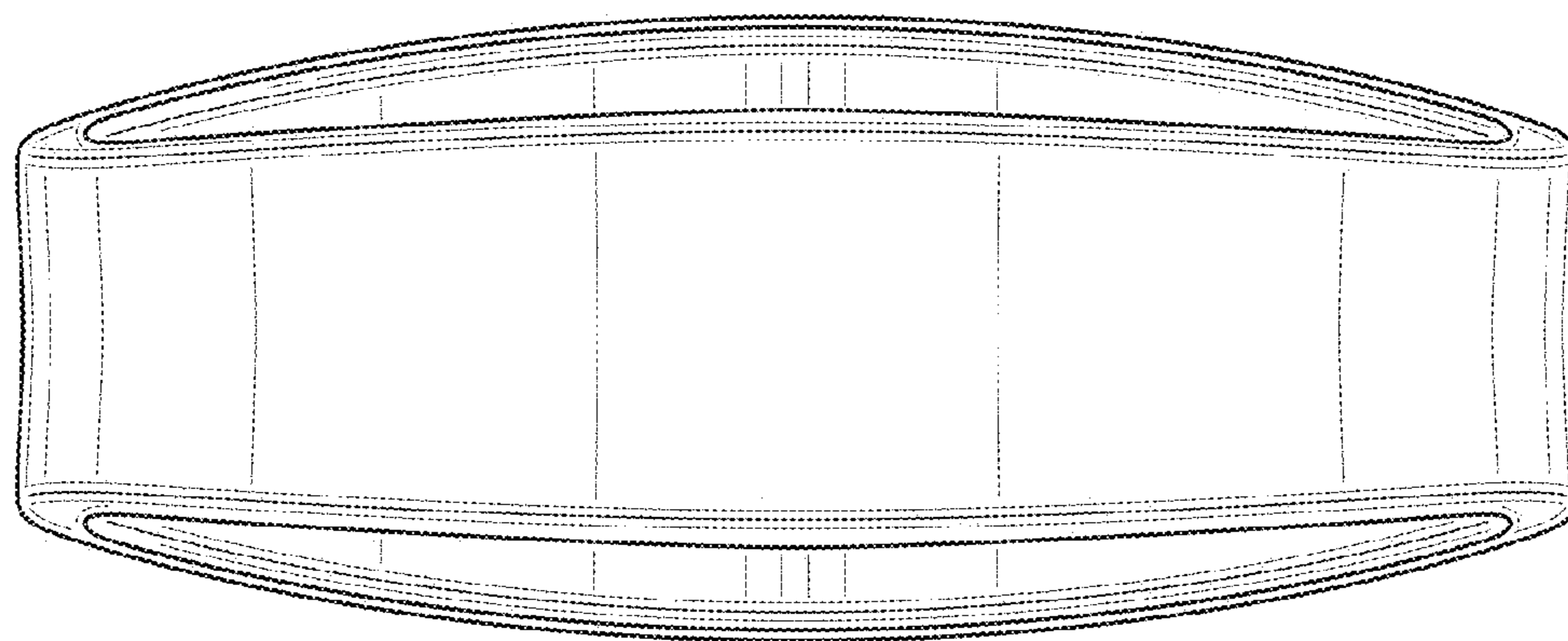


FIG. 14