



US00D750520S

(12) **United States Design Patent**
Yuasa et al.

(10) **Patent No.:** **US D750,520 S**
(45) **Date of Patent:** **** Mar. 1, 2016**

(54) **SPEED MEASURING DEVICE**

(56) **References Cited**

(71) Applicant: **THE YOKOHAMA RUBBER CO., LTD.**, Minato-ku, Tokyo (JP)

U.S. PATENT DOCUMENTS

(72) Inventors: **Ryohei Yuasa**, Tokyo (JP); **Hiroshi Saegusa**, Hiratsuka (JP); **Masahiko Nagahama**, Tokyo (JP)

7,542,130 B2 * 6/2009 Saegusa 356/28
8,339,254 B2 * 12/2012 Drew et al. 340/438
D705,684 S * 5/2014 Takahashi et al. D10/98

* cited by examiner

(73) Assignee: **THE YOKOHAMA RUBBER CO., LTD.**, Minato-ku, Tokyo (JP)

Primary Examiner — Antoine D Davis

(74) *Attorney, Agent, or Firm* — Banner & Witcoff, Ltd.

(**) Term: **14 Years**

(57) **CLAIM**

The ornamental design for a speed measuring device, as shown and described.

(21) Appl. No.: **29/502,857**

DESCRIPTION

(22) Filed: **Sep. 19, 2014**

(30) **Foreign Application Priority Data**

Mar. 19, 2014 (JP) 2014-005828

(51) **LOC (10) Cl.** **10-04**

(52) **U.S. Cl.**
USPC **D10/98**

(58) **Field of Classification Search**
USPC D10/78, 98
CPC G01S 7/022; G01S 7/023; G01S 7/024;
G01S 7/025; G01S 7/026; G01S 7/027;
G01S 7/028

FIG. 1 is a front perspective view of a speed measuring device showing our new design;
FIG. 2 is a rear perspective view thereof;
FIG. 3 is a front view thereof;
FIG. 4 is a rear view thereof;
FIG. 5 is a left side view thereof;
FIG. 6 is a right side view thereof;
FIG. 7 is a top plan view thereof; and,
FIG. 8 is a bottom view thereof.

The broken lines shown are included for the purpose of illustrating the unclaimed portions of the speed measuring device and form no part of the claimed design.

See application file for complete search history.

1 Claim, 6 Drawing Sheets

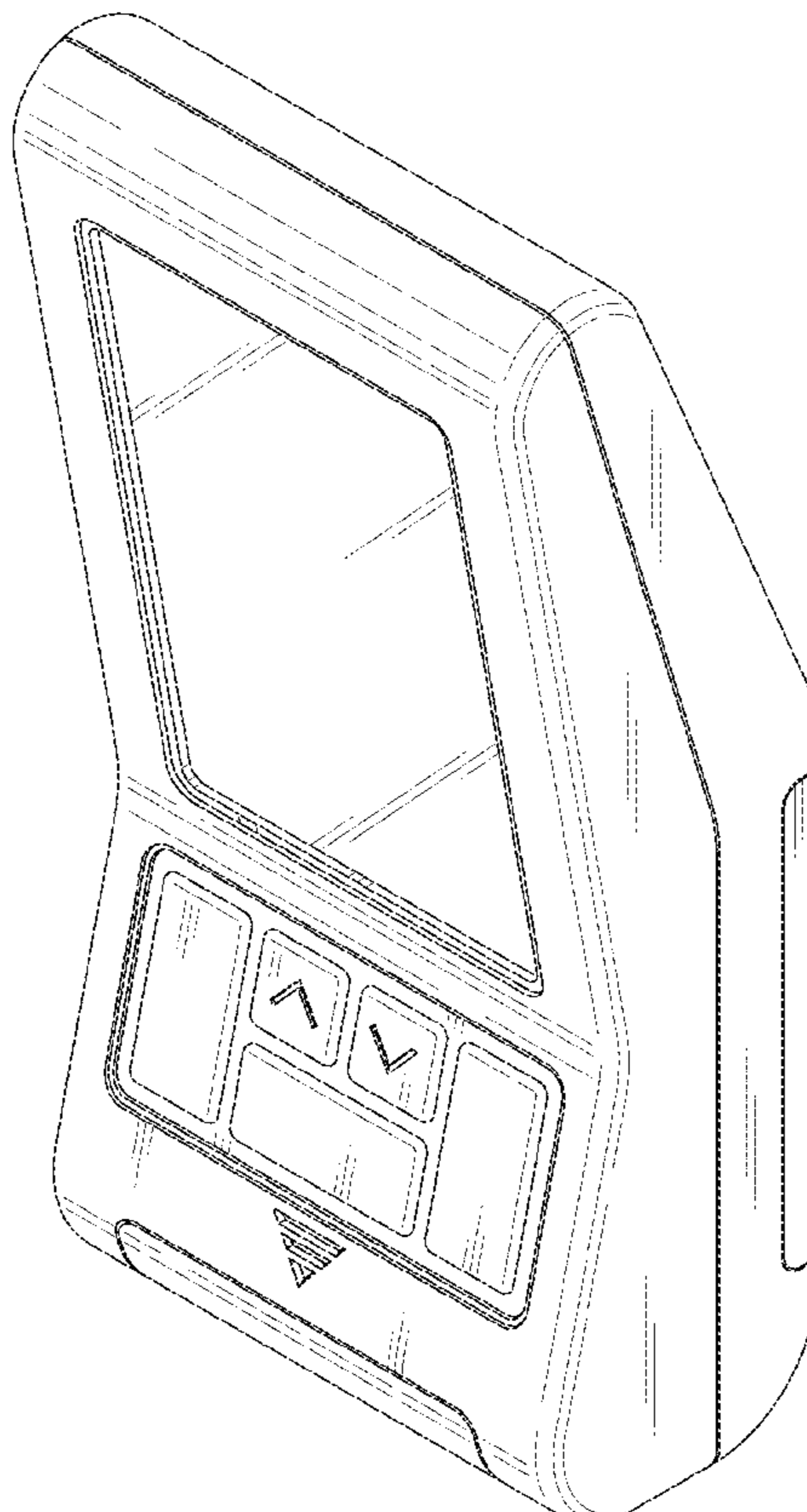


Fig. 1

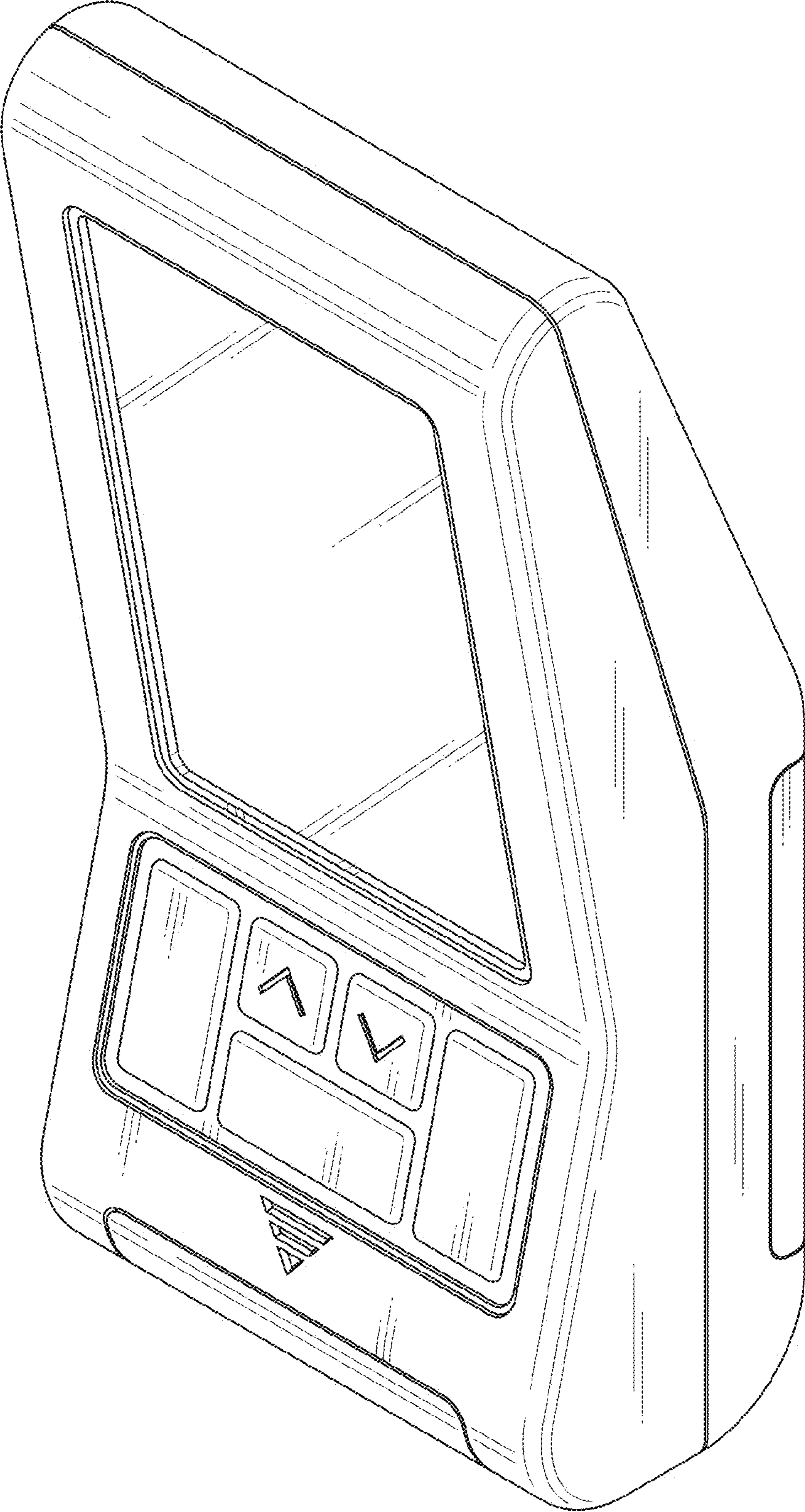


Fig. 2

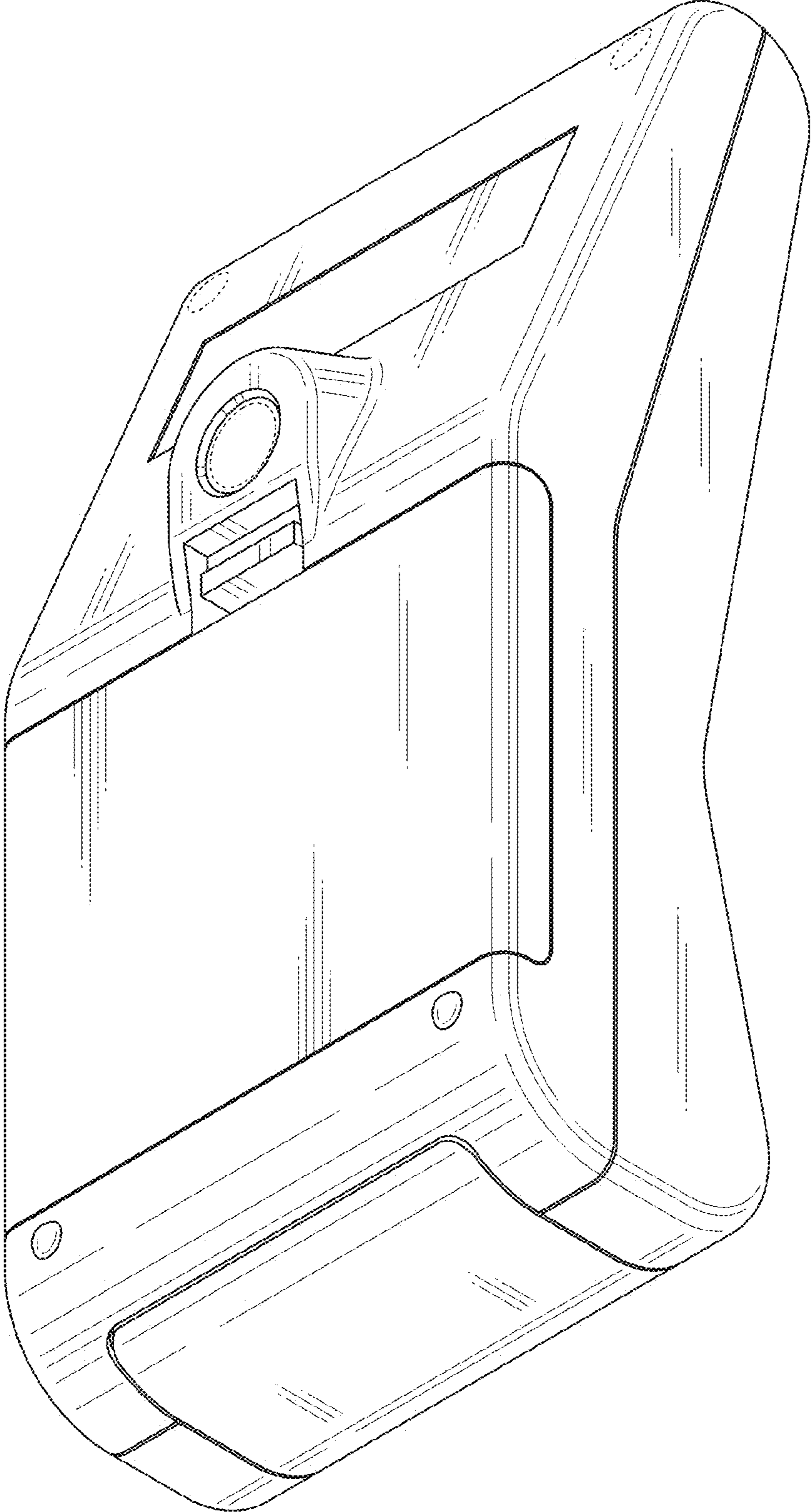


Fig. 3

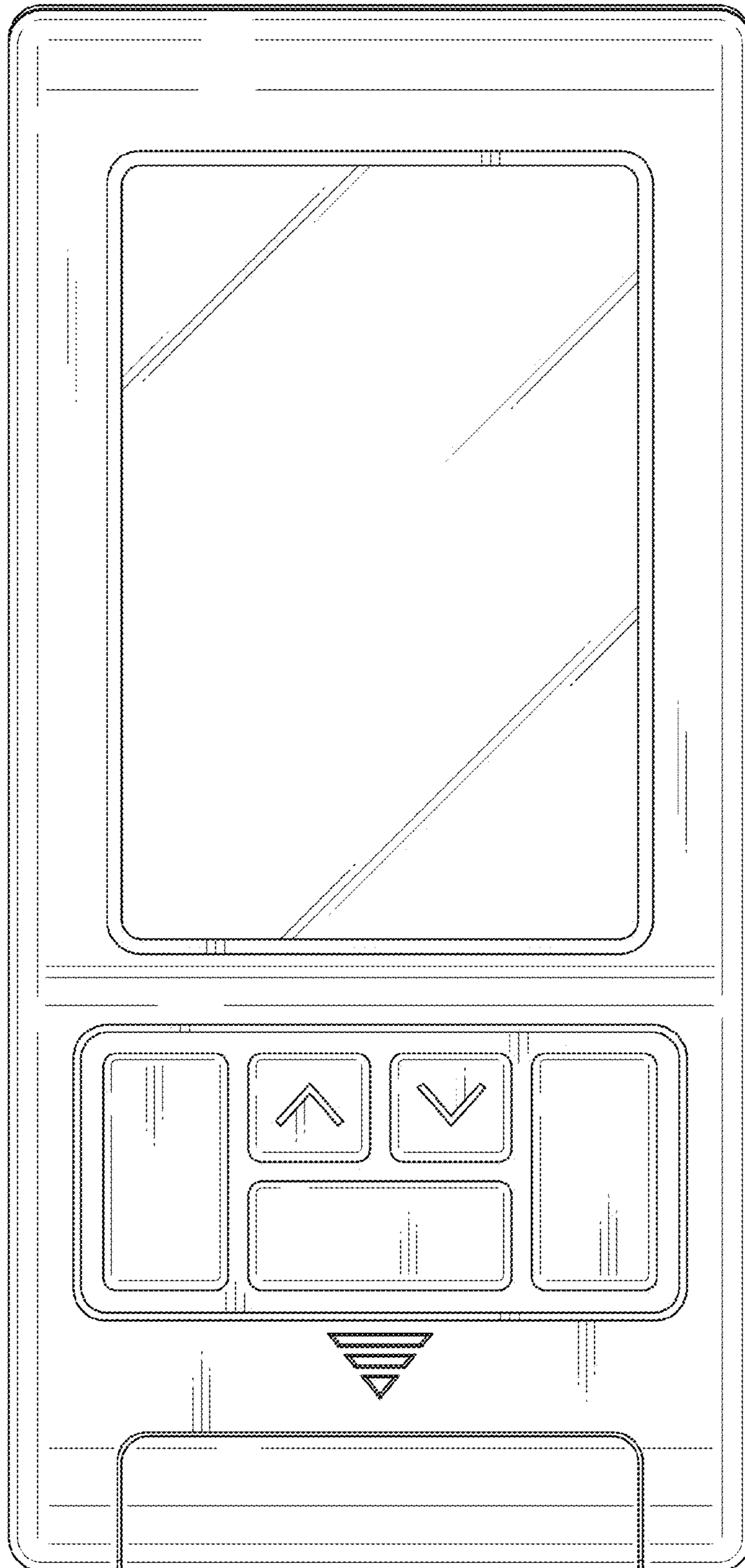


Fig. 4

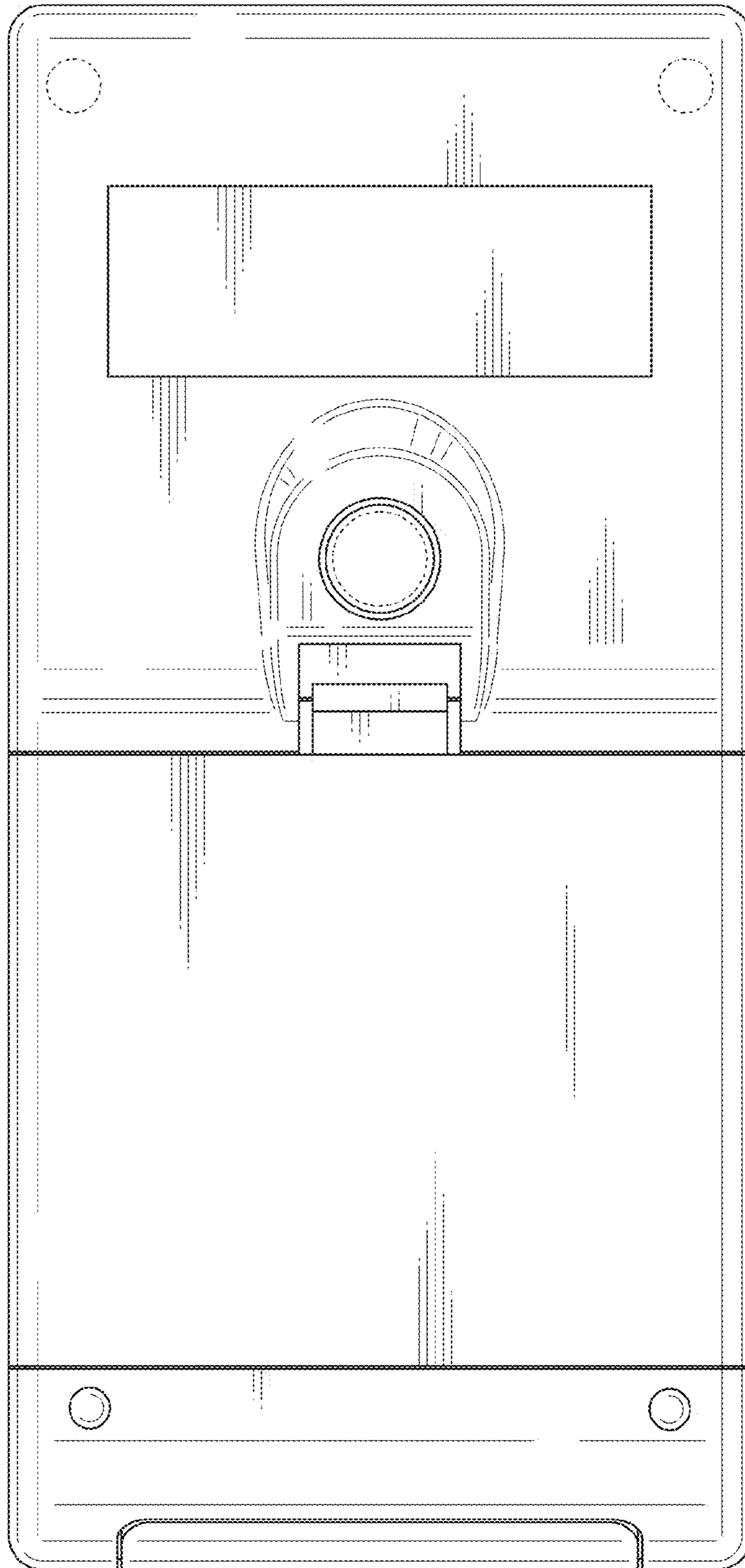


Fig. 5

Fig. 6

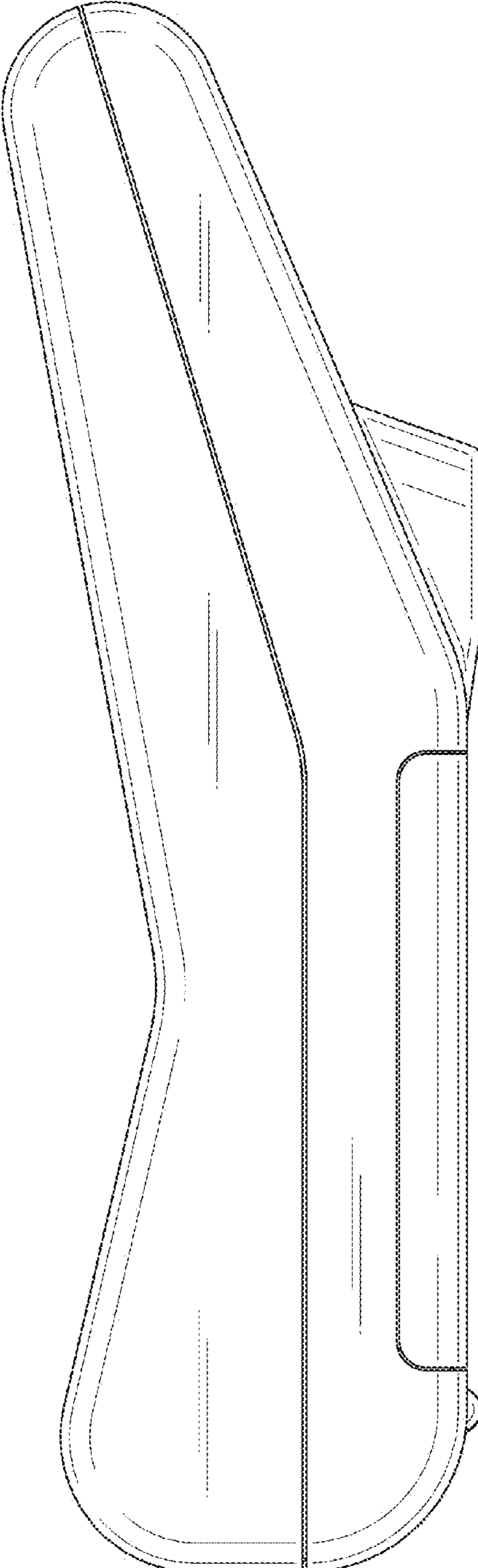
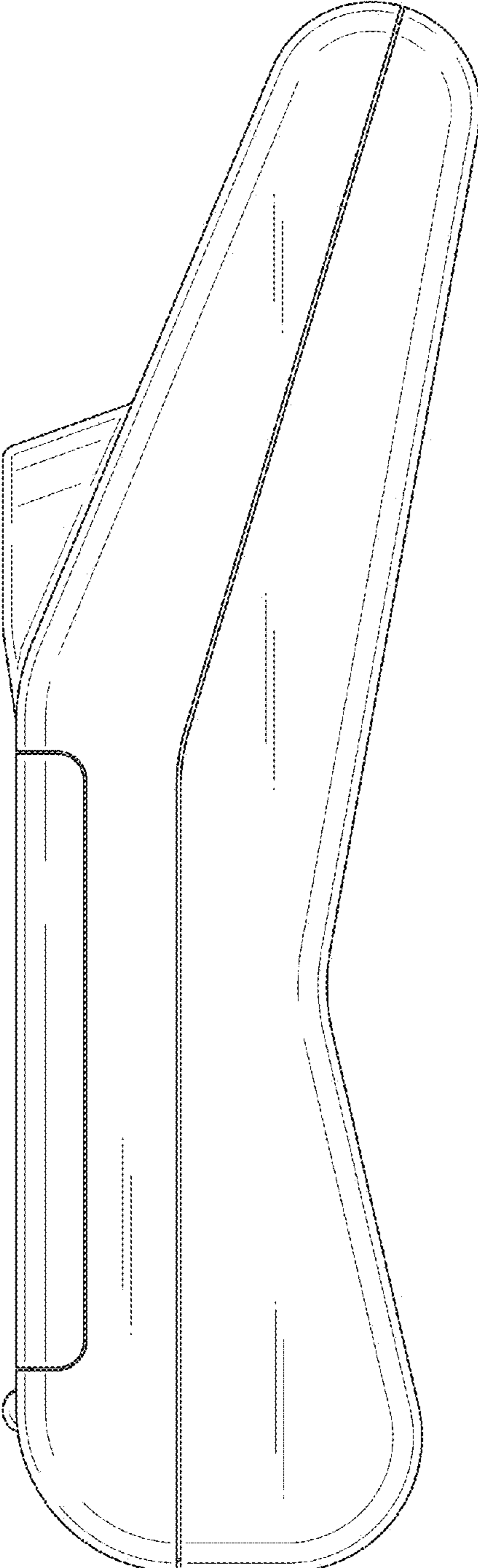


Fig. 7

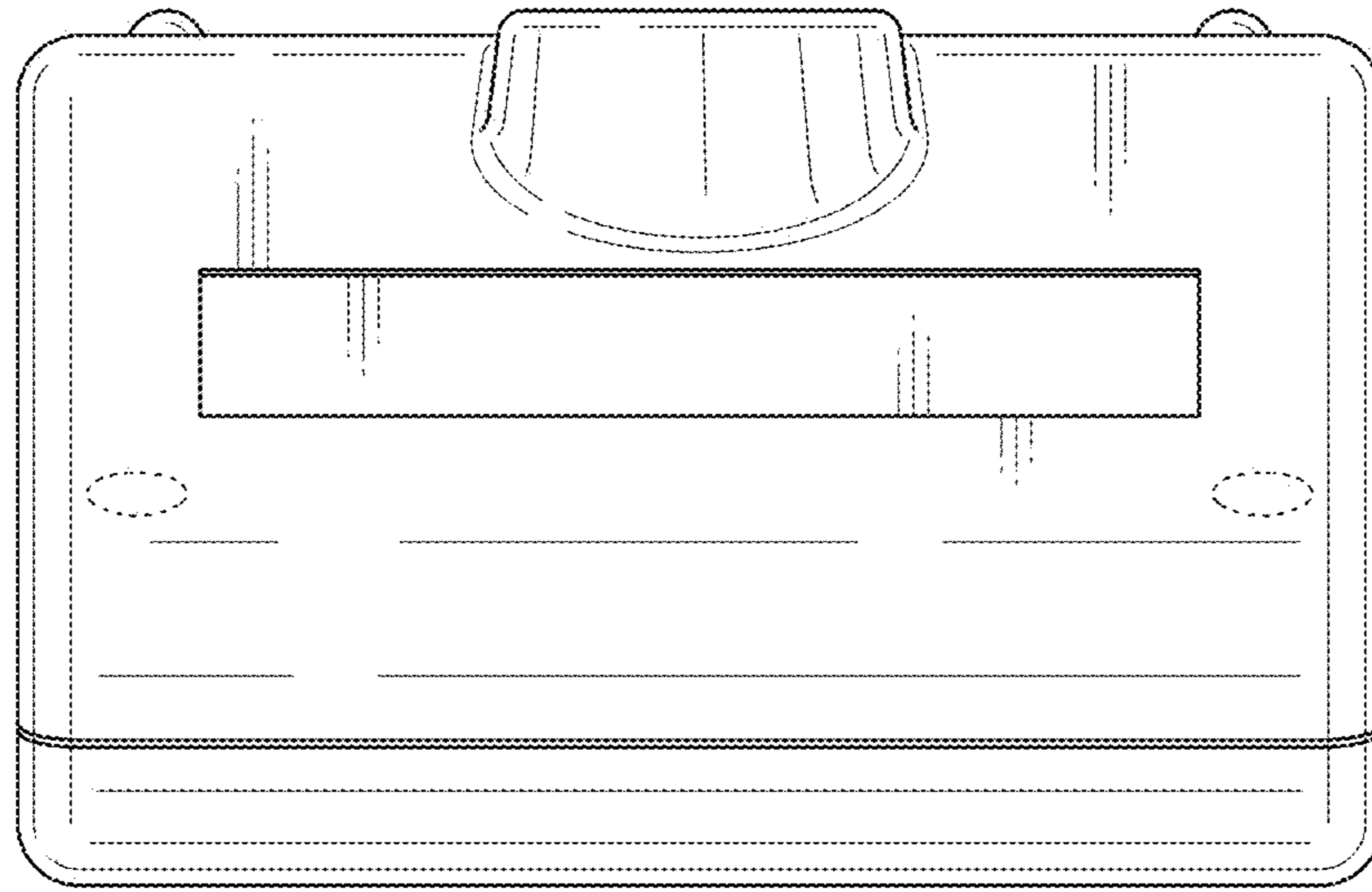


Fig. 8

