



US00D750519S

(12) **United States Design Patent**
Leigh et al.

(10) **Patent No.:** **US D750,519 S**
(45) **Date of Patent:** **** Mar. 1, 2016**

(54) **VIBRATION RECORDING DEVICE**

“Snapshot IS (Intrinsically Safe) Portable Data Collector,” Bently Nevada Asset Condition Monitoring, 14 pages.

(71) Applicant: **General Electric Company**,
Schenectady, NY (US)

* cited by examiner

(72) Inventors: **Nigel Trevor Leigh**, Canterbury (NZ);
Brett Ralph Taylor, Canterbury (NZ);
Oliver Charles Graham Jackson-Hill,
Canterbury (NZ); **Darryl Best**,
Canterbury (NZ); **Scott Allen Clear**,
Escondido, CA (US)

Primary Examiner — Antoine D Davis

(74) *Attorney, Agent, or Firm* — Armstrong Teasdale LLP

(73) Assignee: **General Electric Company**,
Schenectady, NY (US)

(57) **CLAIM**

The ornamental design for a vibration recording device, as shown and described.

(**) Term: **14 Years**

DESCRIPTION

(21) Appl. No.: **29/503,114**

(22) Filed: **Sep. 23, 2014**

(51) **LOC (10) Cl.** **10-04**

(52) **U.S. Cl.**
USPC **D10/83**

(58) **Field of Classification Search**
USPC D10/83
CPC G01V 1/00–1/202; G01V 1/208–1/523;
G01V 2001/204–2001/207; G01V 2001/526;
G01V 2210/00–2210/74
See application file for complete search history.

(56) **References Cited**

U.S. PATENT DOCUMENTS

4,604,706	A *	8/1986	Fisher et al.	702/15
6,006,164	A	12/1999	McCarty et al.	
D683,634	S *	6/2013	Hayakawa et al.	D10/46
D736,660	S *	8/2015	Hosoda et al.	D10/83
9,121,394	B2 *	9/2015	Bachmann et al.	

OTHER PUBLICATIONS

SKF, “Condition Monitoring Essentials,” 50 pages.
Azima Dli, “TRIO,” 8 pages.

FIG. 1 is a perspective view of a vibration recording device in accordance with the present design. The vibration recording device is adapted to allow a user to collect vibration recordings associated with vibrating machines. The vibration recording includes three sensor cable connectors, a magnetized surface onto which a magnetic vibration sensor may be removably coupled, and at least two corner posts to which a strap may be connected. Broken lines in FIG. 1 indicate structure which forms no part of the claimed design.

FIG. 2 is a bottom plan view of the vibration recording device shown in FIG. 1.

FIG. 3 is a top plan view of the vibration recording device shown in FIG. 1.

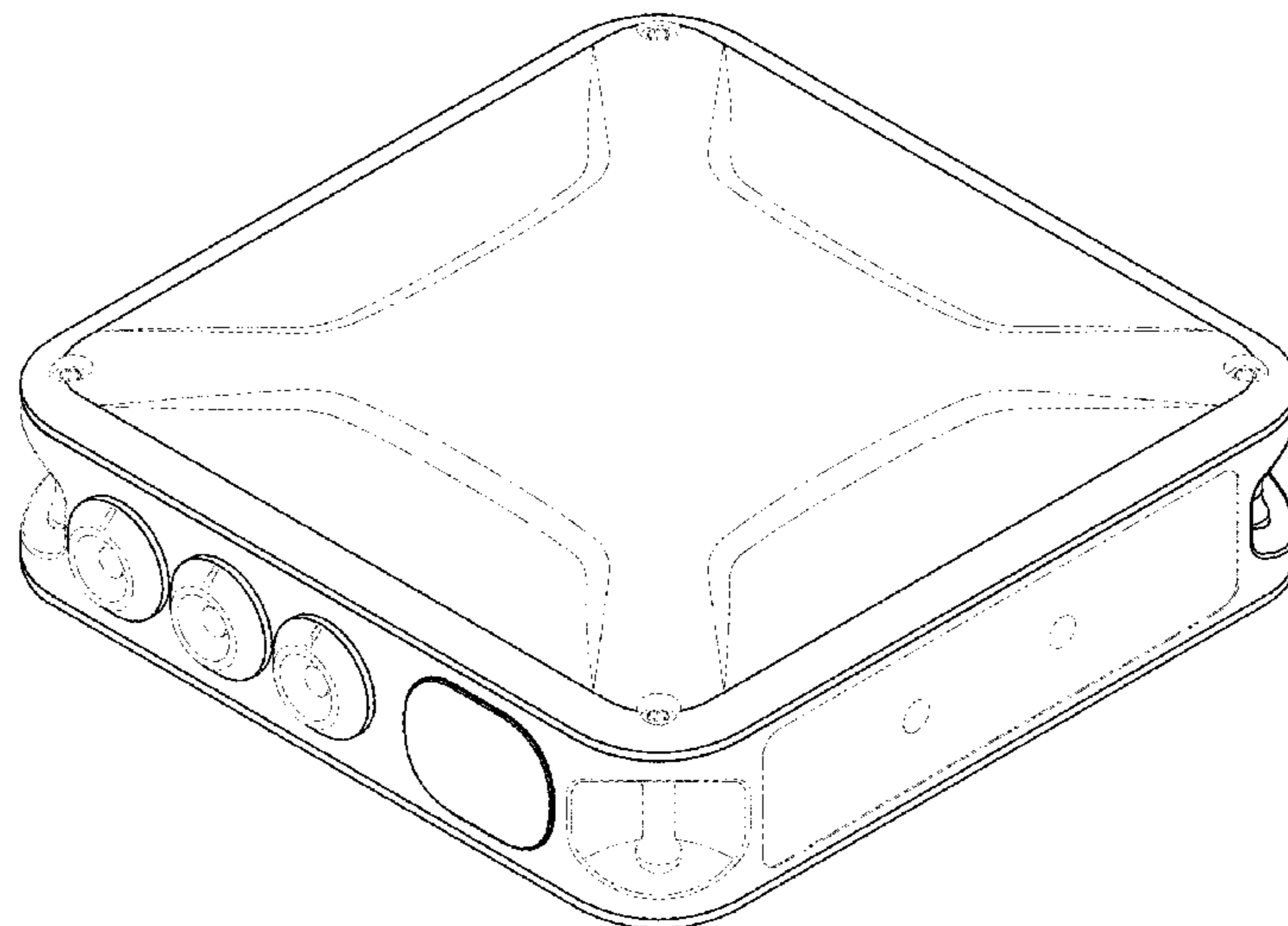
FIG. 4 is a right side elevational view of the vibration recording device shown in FIG. 1, and the left side elevational view is a mirror image of the right side elevational view.

FIG. 5 is a front plan view of the vibration recording device shown in FIG. 1; and,

FIG. 6 is a rear plan view of the vibration recording device shown in FIG. 1.

The broken line showing of structure features is included for the purpose of illustrating non-claimed subject and forms no part of the claimed design.

1 Claim, 6 Drawing Sheets



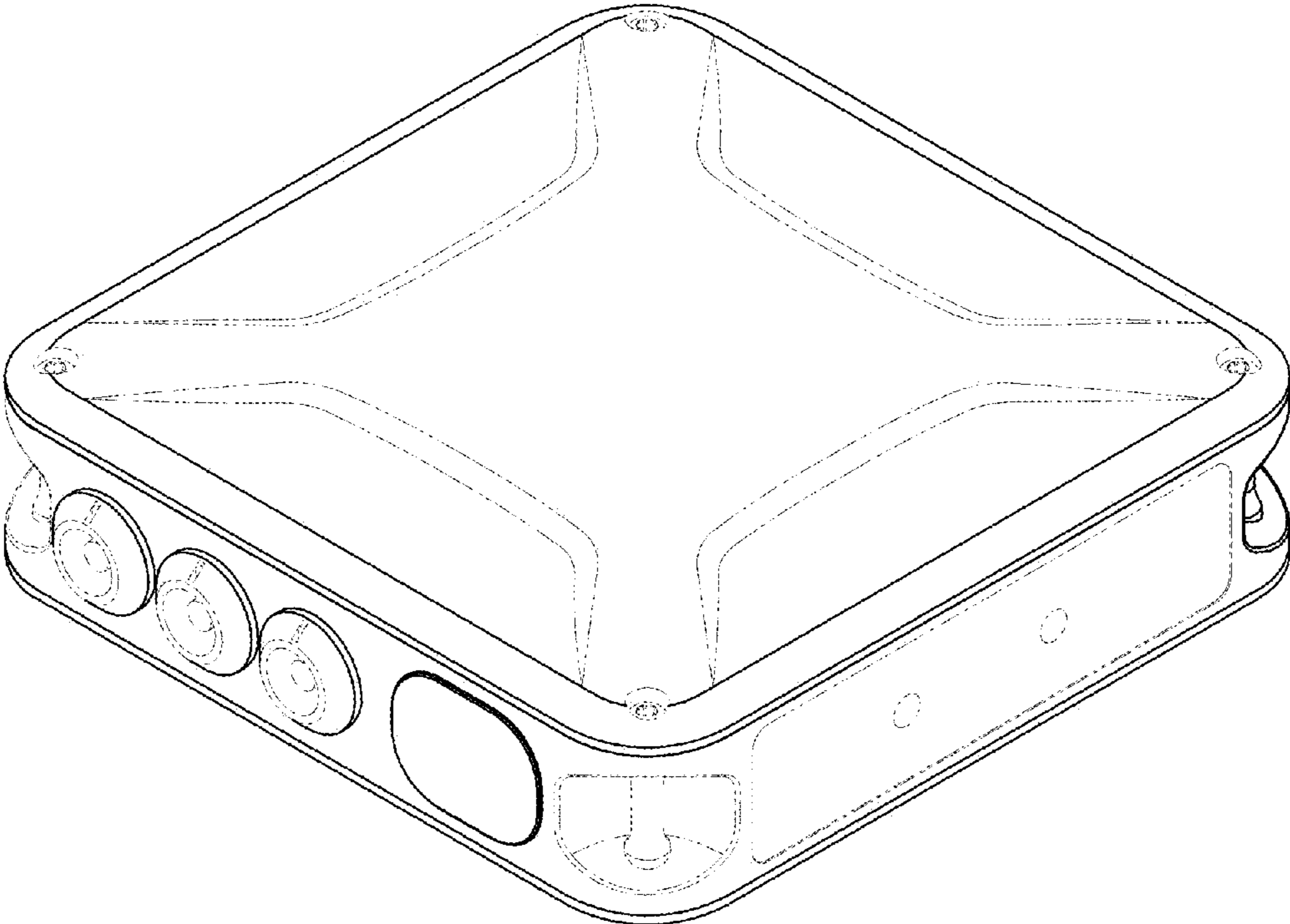


FIG. 1

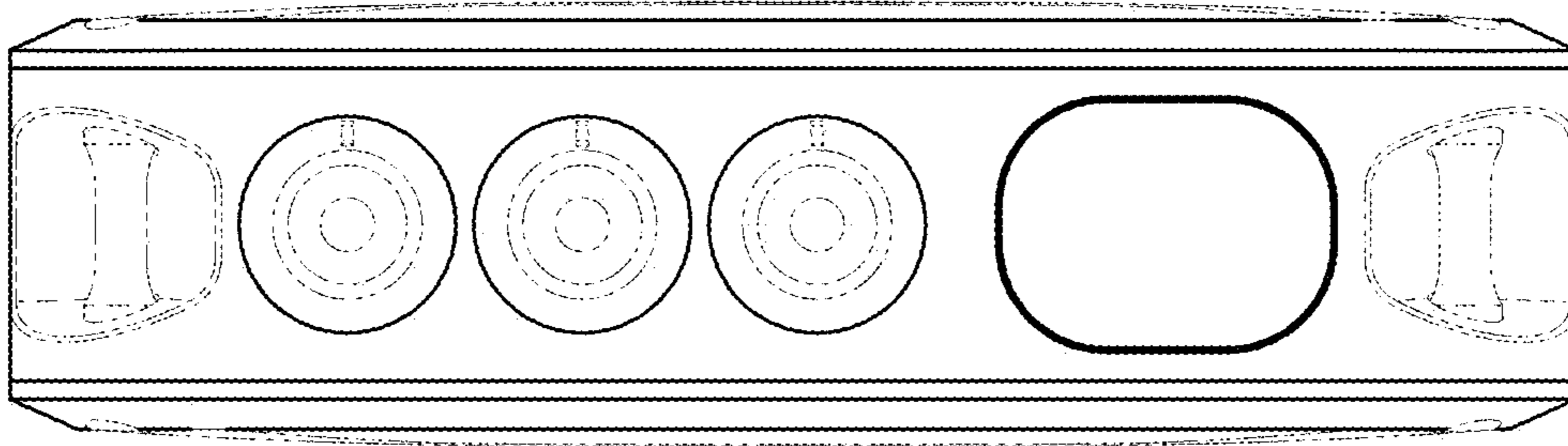


FIG. 2

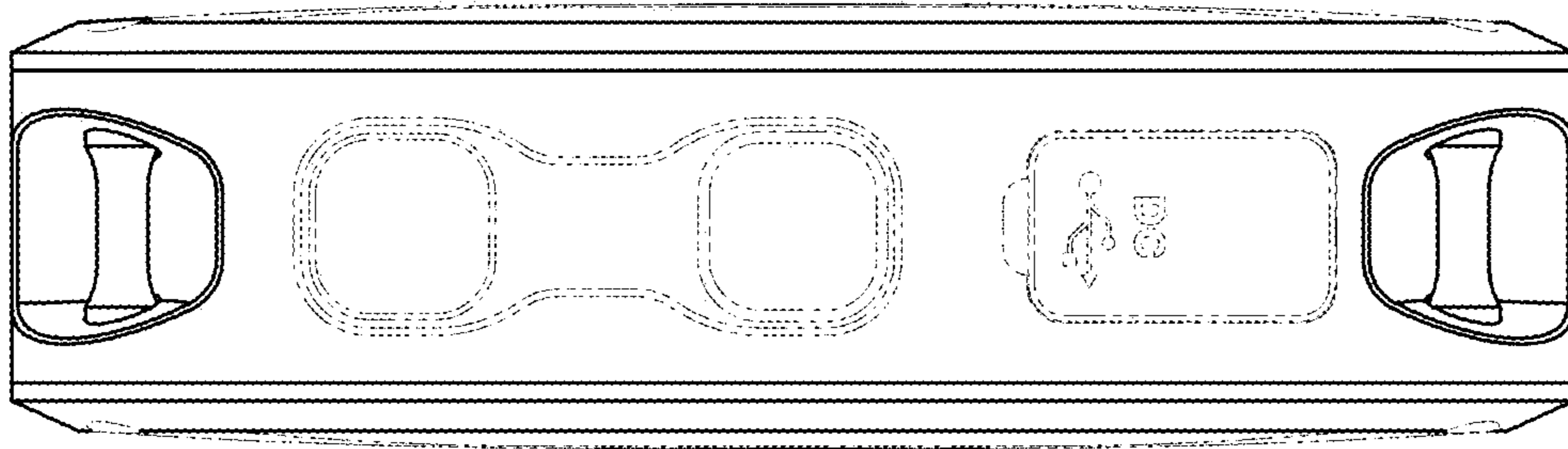


FIG. 3

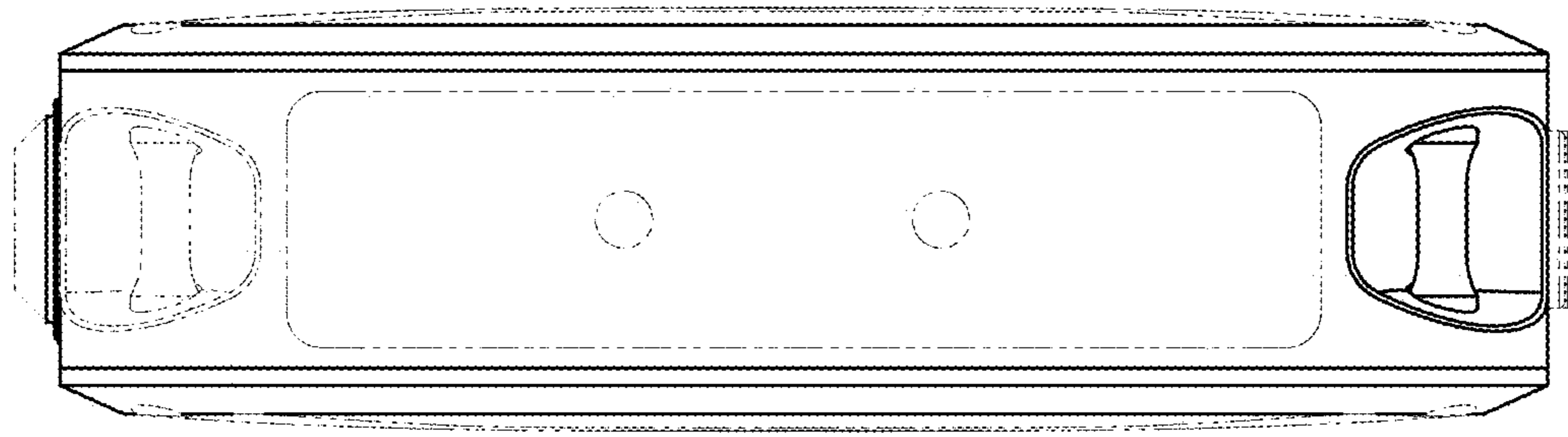


FIG. 4

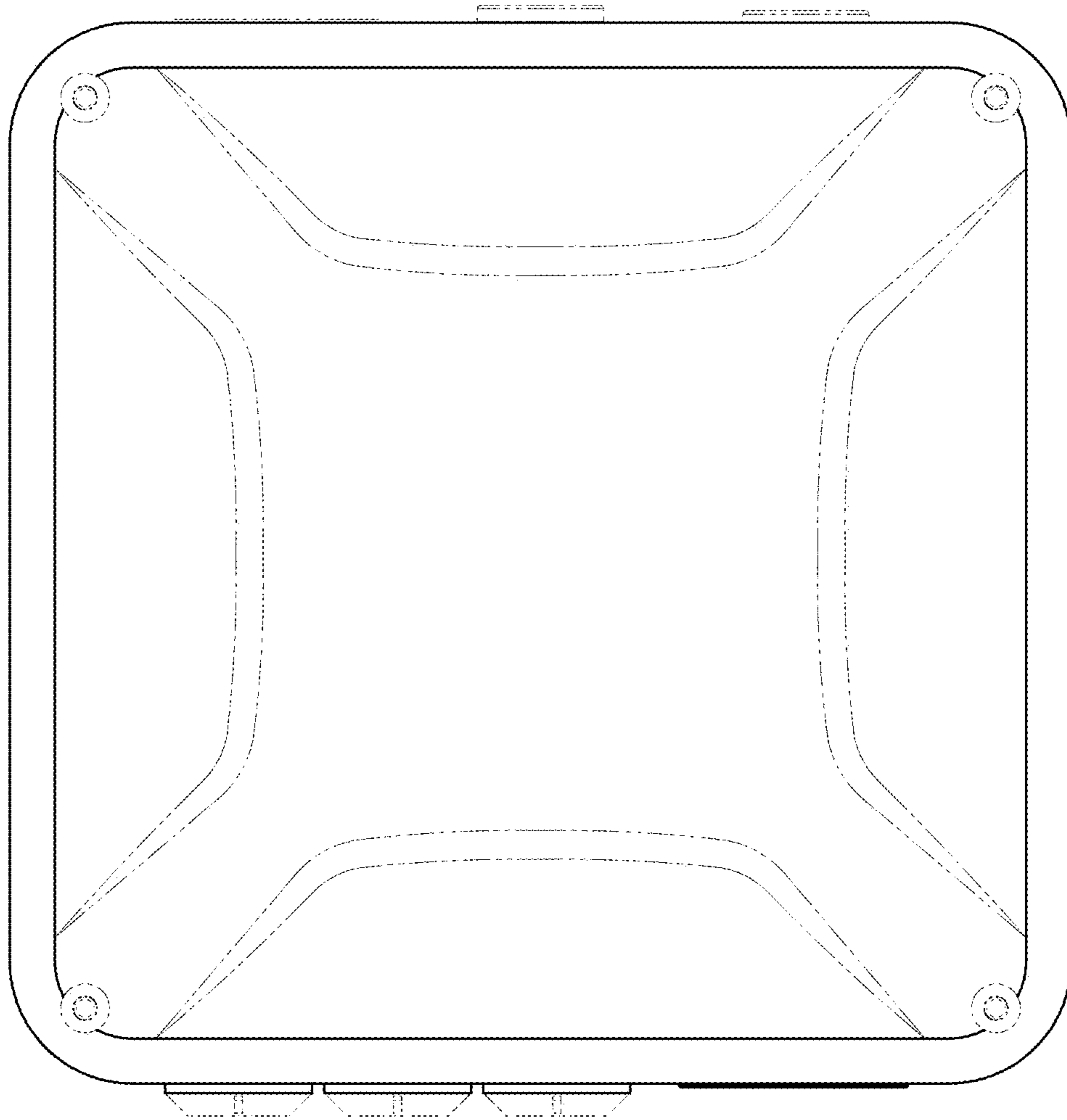


FIG. 5

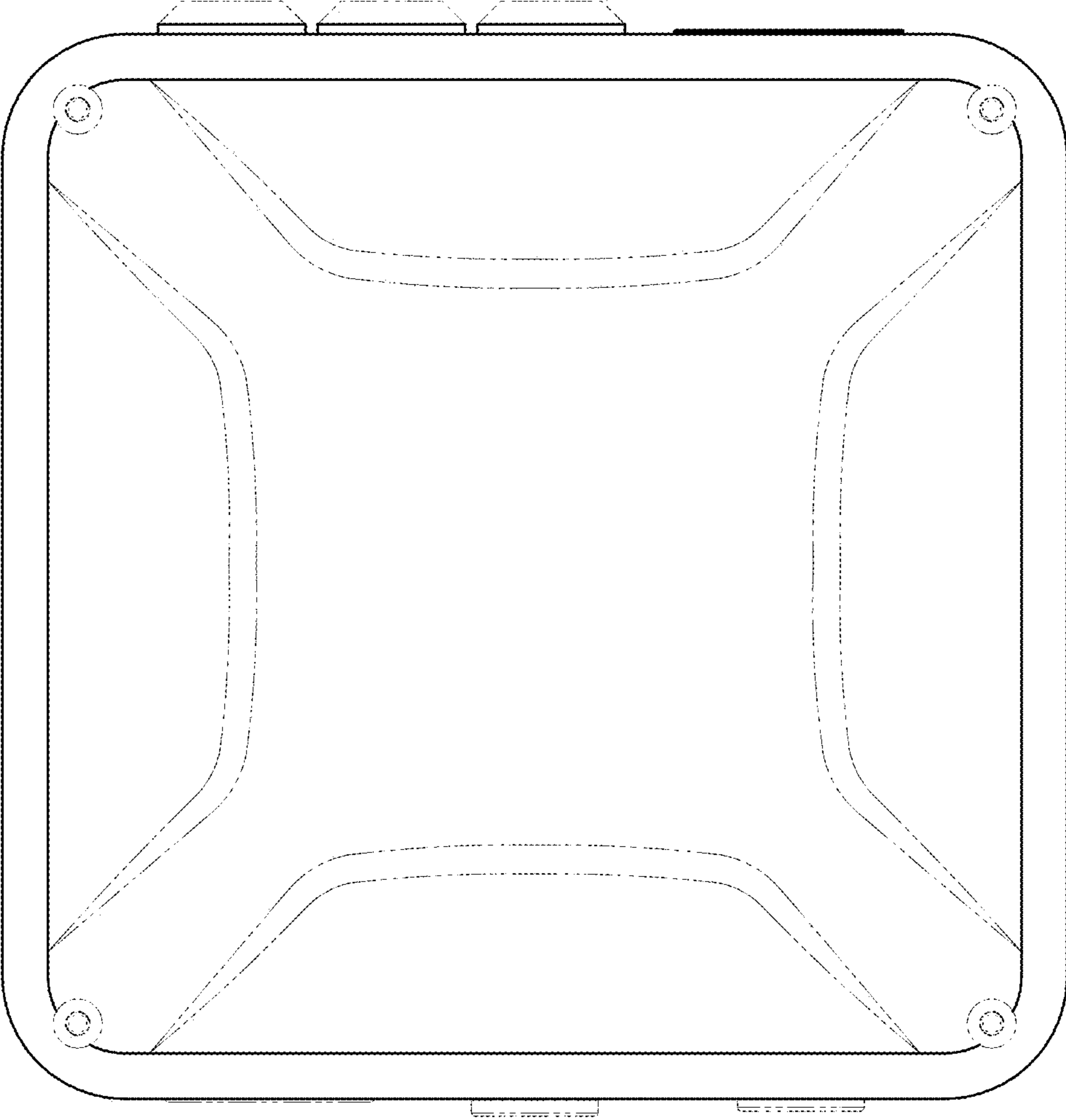


FIG. 6