



US00D750518S

(12) **United States Design Patent**
Blank et al.

(10) **Patent No.:** **US D750,518 S**
(45) **Date of Patent:** **** Mar. 1, 2016**

(54) **TEST APPARATUS FOR AUTOMOTIVE COMPONENTS**

(71) Applicant: **Robert Bosch GmbH**, Stuttgart (DE)

(72) Inventors: **Kurt Blank**, Ebersbach (DE); **Frank Pelta**, Ostfildern (DE); **Daniel Strack**, Uhingen (DE); **Reinhard Hoss**, Plochingen (DE)

(73) Assignee: **Robert Bosch GmbH**, Stuttgart, DE (US)

(**) Term: **14 Years**

(21) Appl. No.: **29/500,134**

(22) Filed: **Aug. 21, 2014**

(30) **Foreign Application Priority Data**

Feb. 27, 2014 (EM) 002413930

(51) **LOC (10) Cl.** **10-03**

(52) **U.S. Cl.**
USPC **D10/83**

(58) **Field of Classification Search**
USPC D10/46, 52, 53, 70, 75-77, 81-85, D10/96-98, 101, 102
CPC G01M 15/00-15/14; F01N 11/00; F02B 77/08; F02M 19/01; F02M 65/00; F02P 17/00; G01L 3/24; G01L 5/26; G01L 23/22; G01L 23/24; G01L 23/30
See application file for complete search history.

(56) **References Cited**

U.S. PATENT DOCUMENTS

2,840,435 A * 6/1958 Campbell 312/279
D266,151 S * 9/1982 Dawson D10/81

D272,087 S * 1/1984 Smith D24/216
D275,225 S * 8/1984 Hegemann D24/186
D315,690 S * 3/1991 Bachelder et al. D10/46
5,656,170 A * 8/1997 Henderson 210/656
6,071,355 A * 6/2000 Suratt 134/21
7,300,041 B2 * 11/2007 Opsahl et al. 269/47
8,186,206 B2 * 5/2012 Barnes 73/116.05
D736,661 S * 8/2015 Blank et al. D10/83

* cited by examiner

Primary Examiner — Antoine D Davis

(74) *Attorney, Agent, or Firm* — Maginot, Moore & Beck LLP

(57) **CLAIM**

The ornamental design for a test apparatus for automotive components, as shown and described.

DESCRIPTION

FIG. 1 is a perspective view of a first embodiment of a test apparatus for automotive components showing our new design;

FIG. 2 is a right side elevational view showing the design for the test apparatus for automotive components of FIG. 1;

FIG. 3 is a left side elevational view showing the design for the test apparatus for automotive components of FIG. 1;

FIG. 4 is a front elevational view showing the design for the test apparatus for automotive components of FIG. 1;

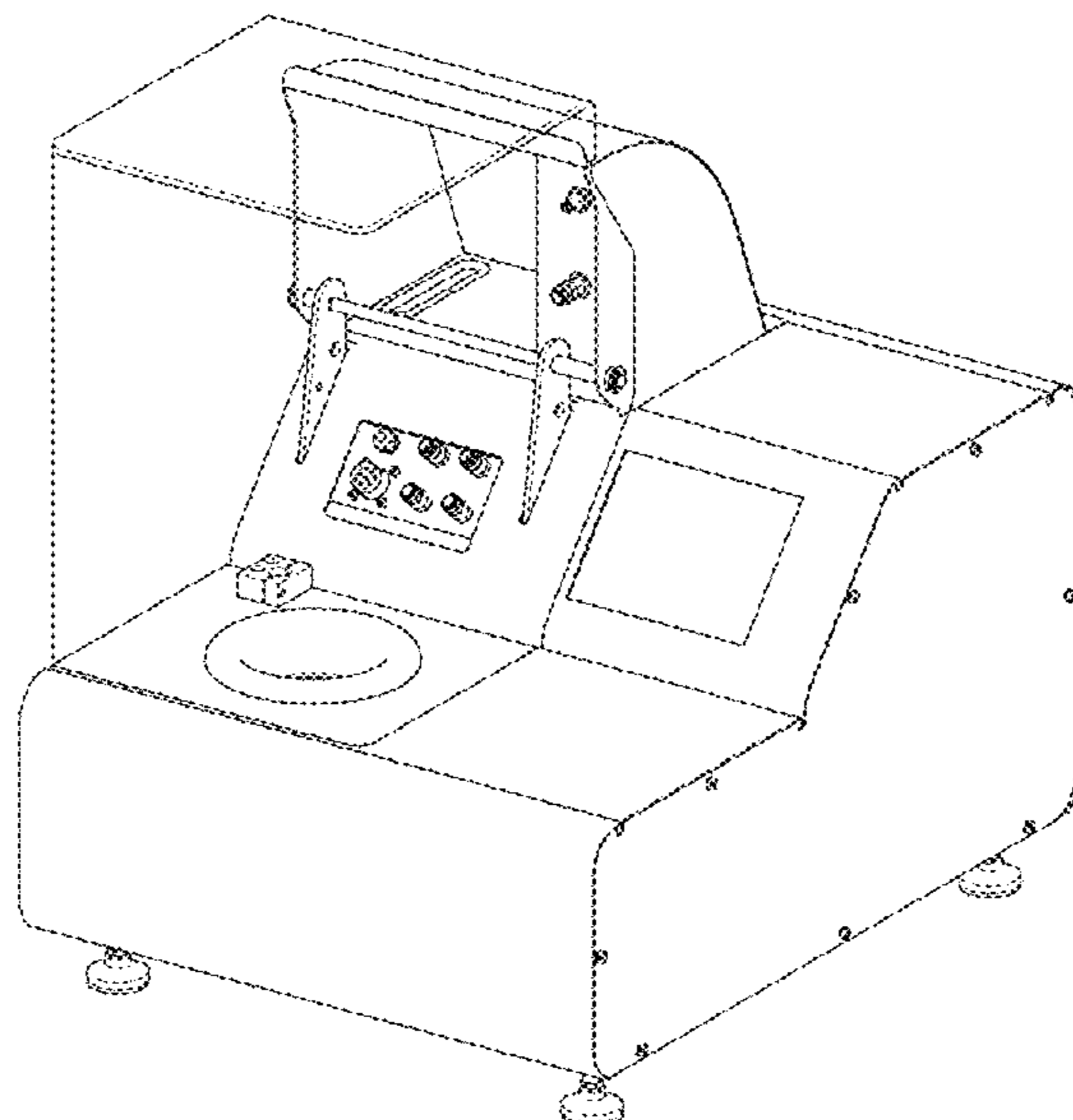
FIG. 5 is a rear elevational view showing the design for the test apparatus for automotive components of FIG. 1;

FIG. 6 is a top plan view showing the design for the test apparatus for automotive components of FIG. 1; and,

FIG. 7 is a bottom plan view showing the design for the test apparatus for automotive components of FIG. 1; and,

FIG. 8 is a perspective view of a second embodiment of a test apparatus for automotive components showing our new design.

1 Claim, 8 Drawing Sheets



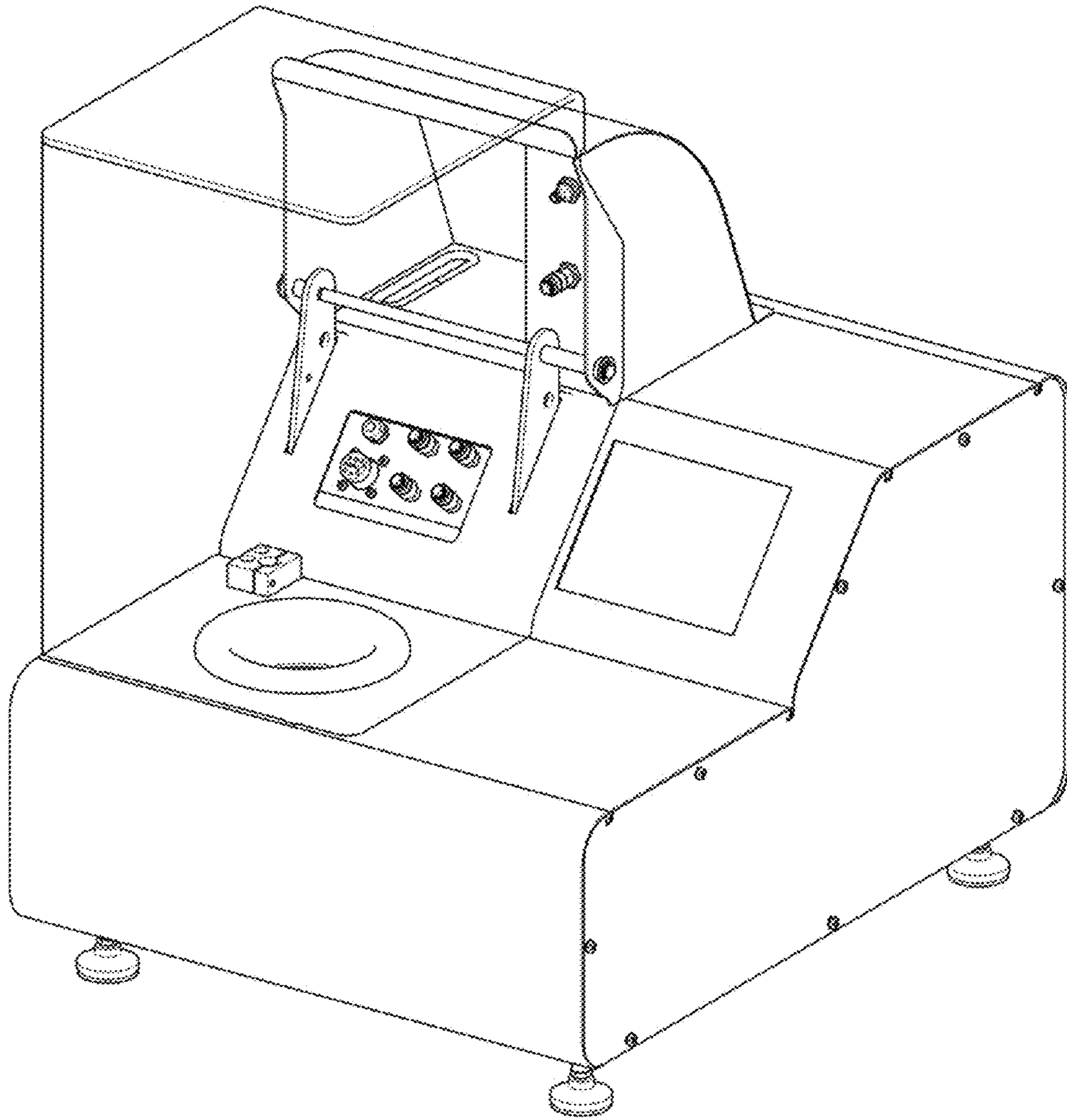


FIG. 1

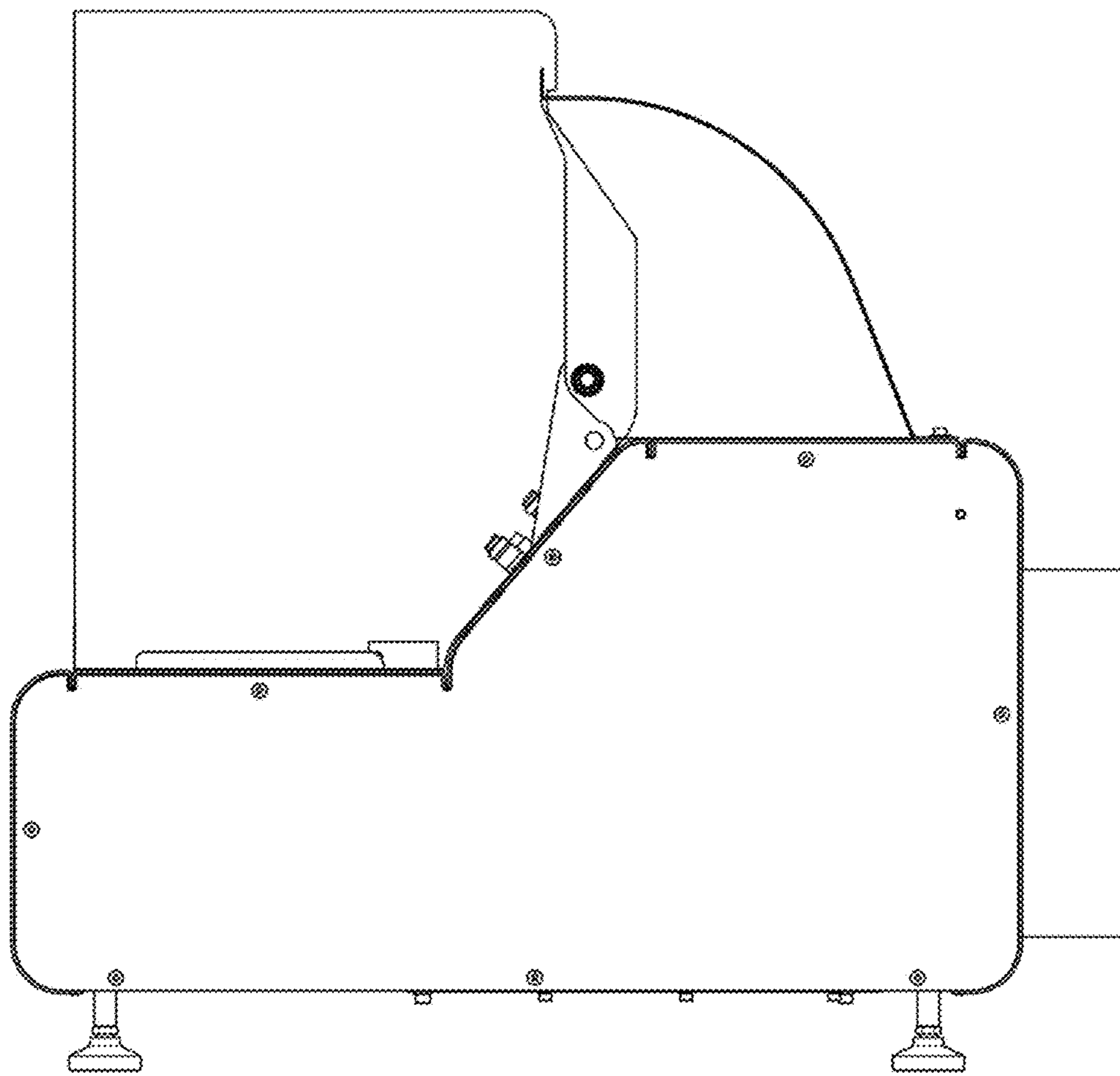


FIG. 2

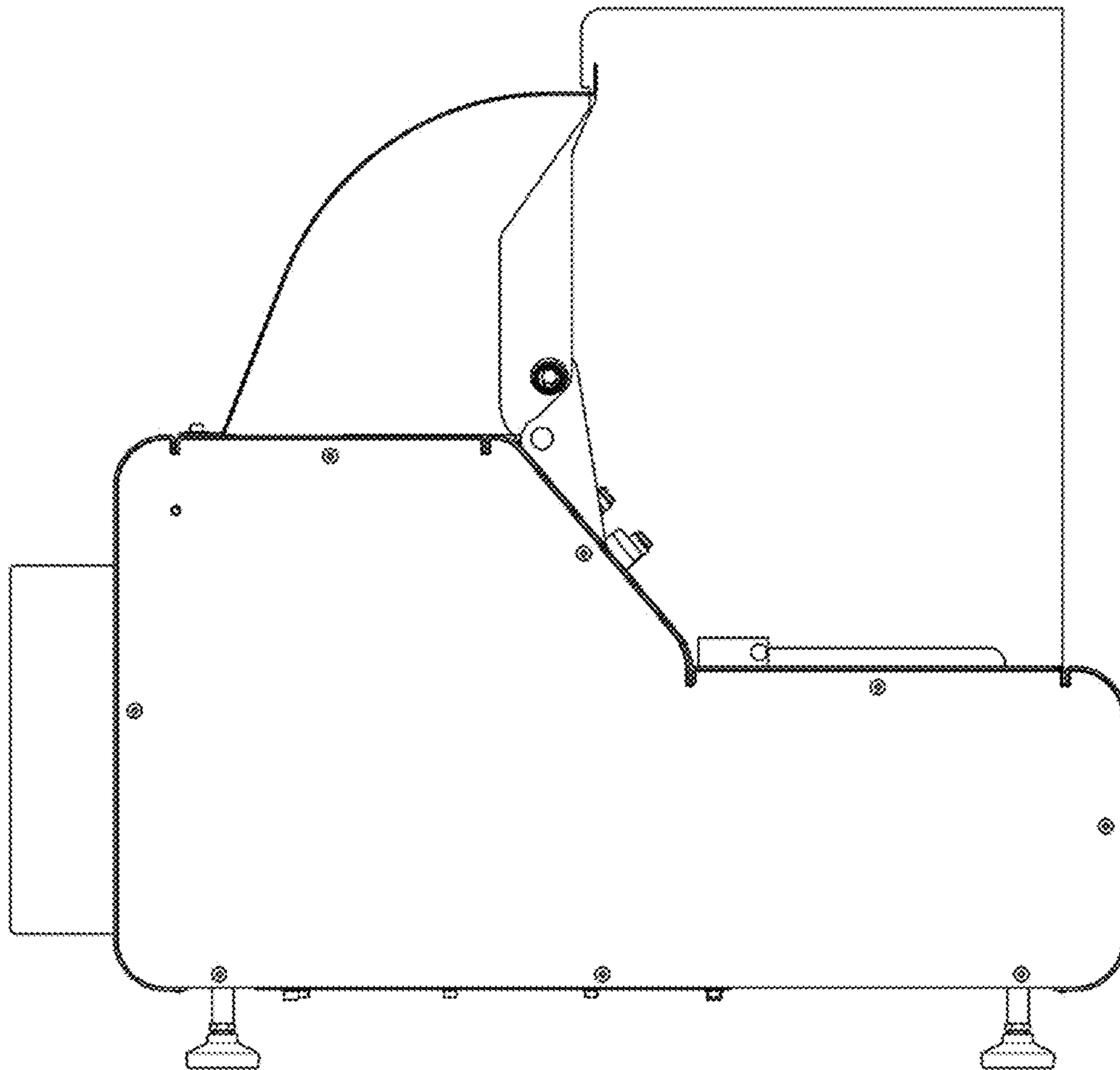


FIG. 3

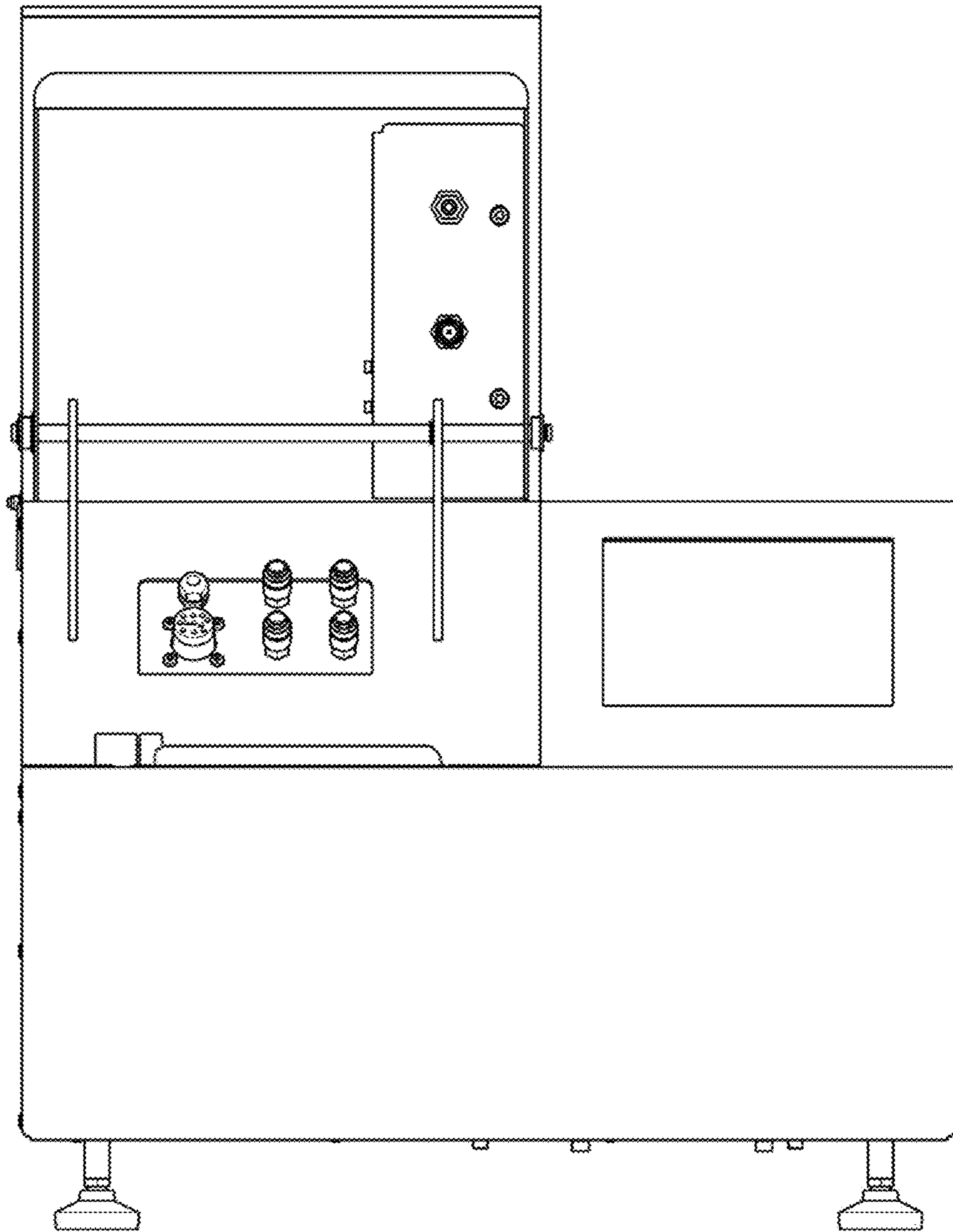


FIG. 4

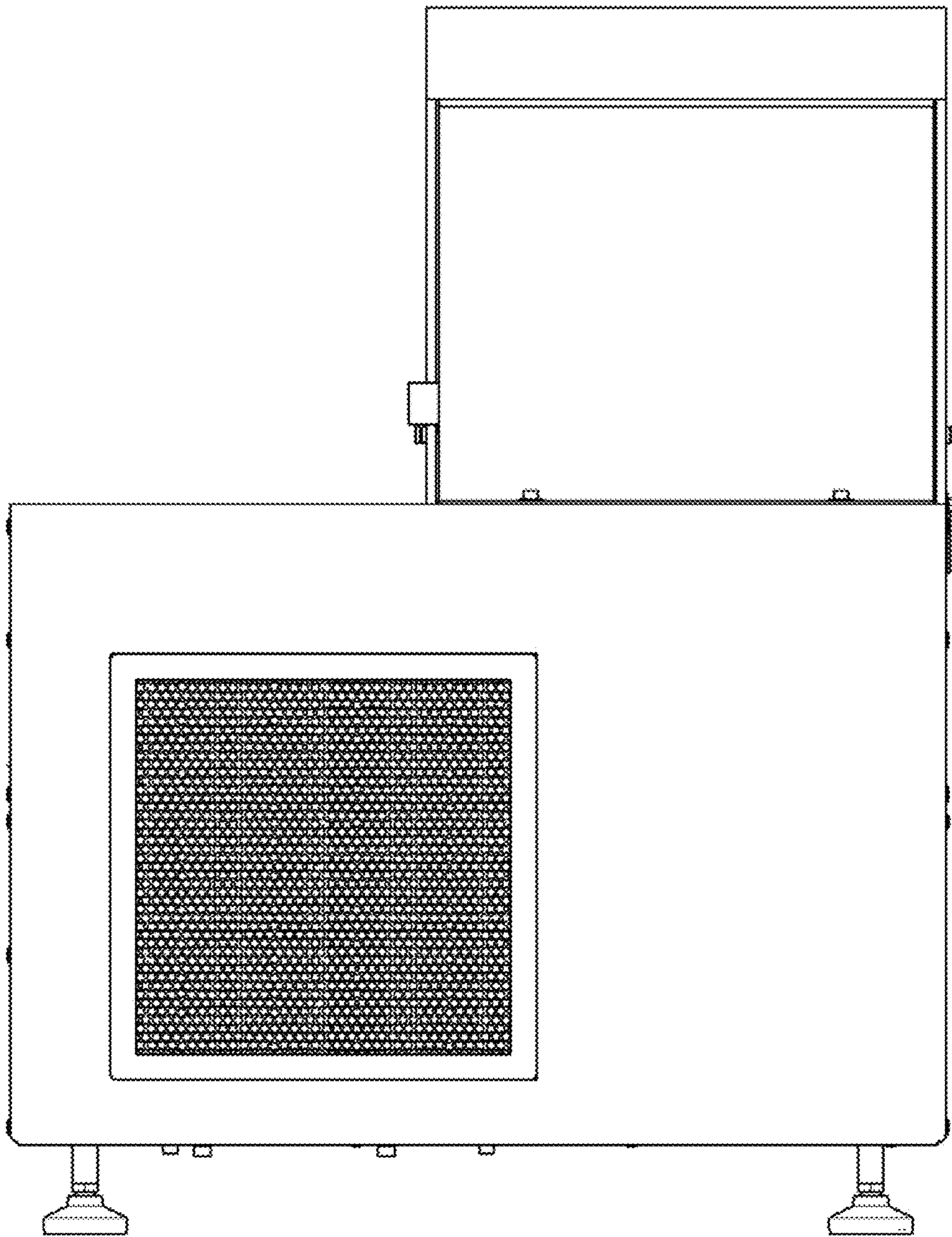


FIG. 5

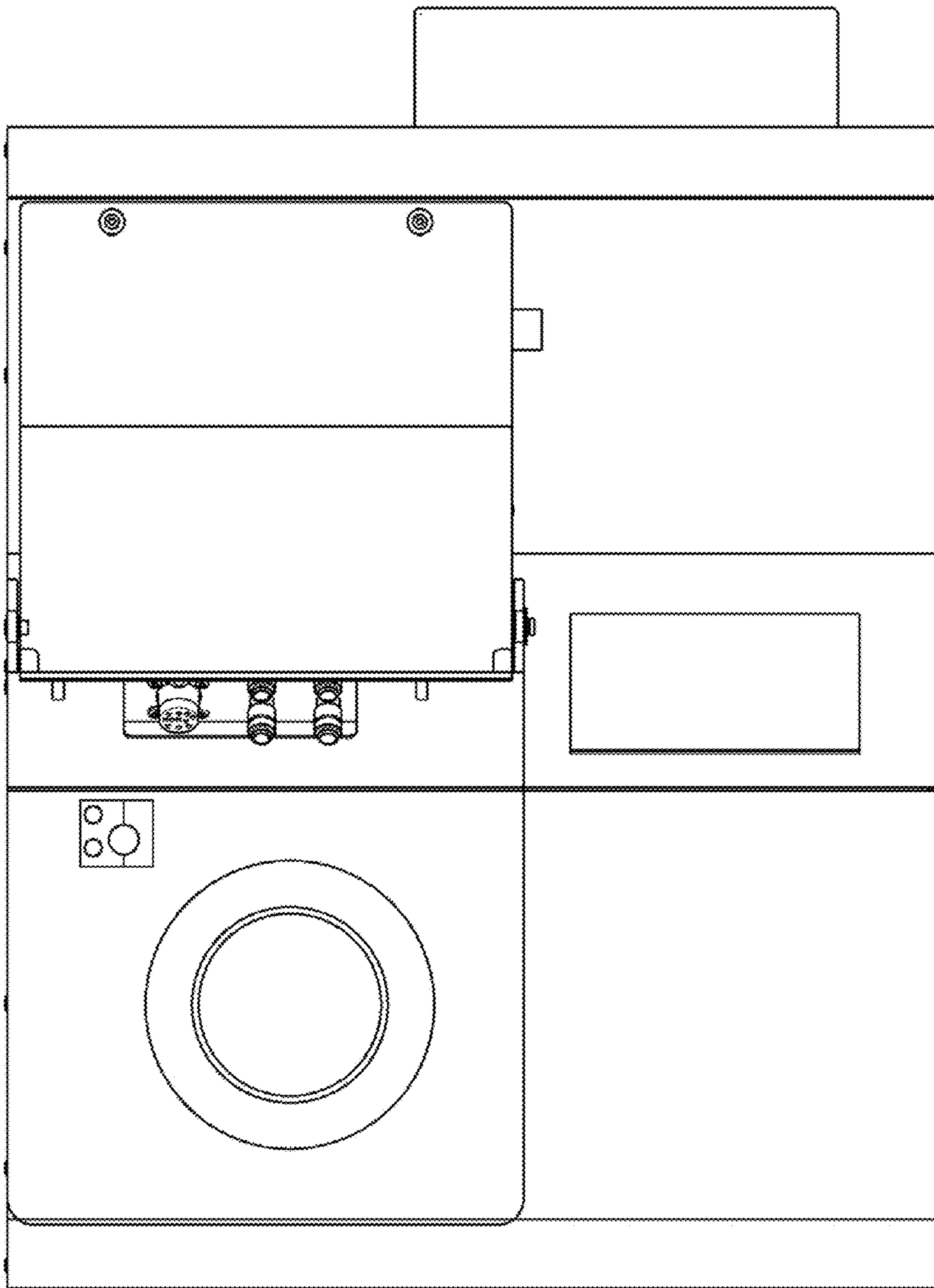


FIG. 6

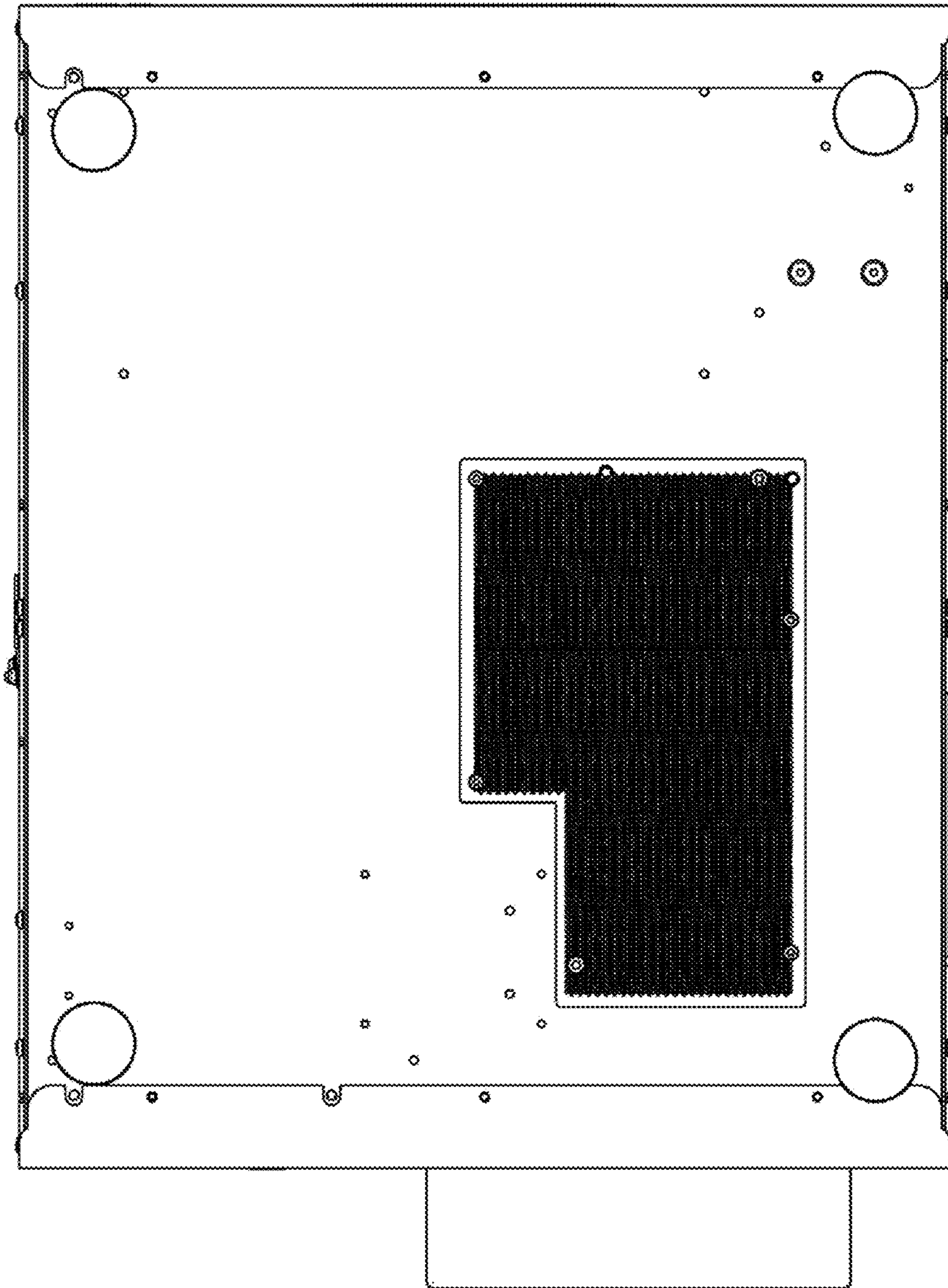


FIG. 7

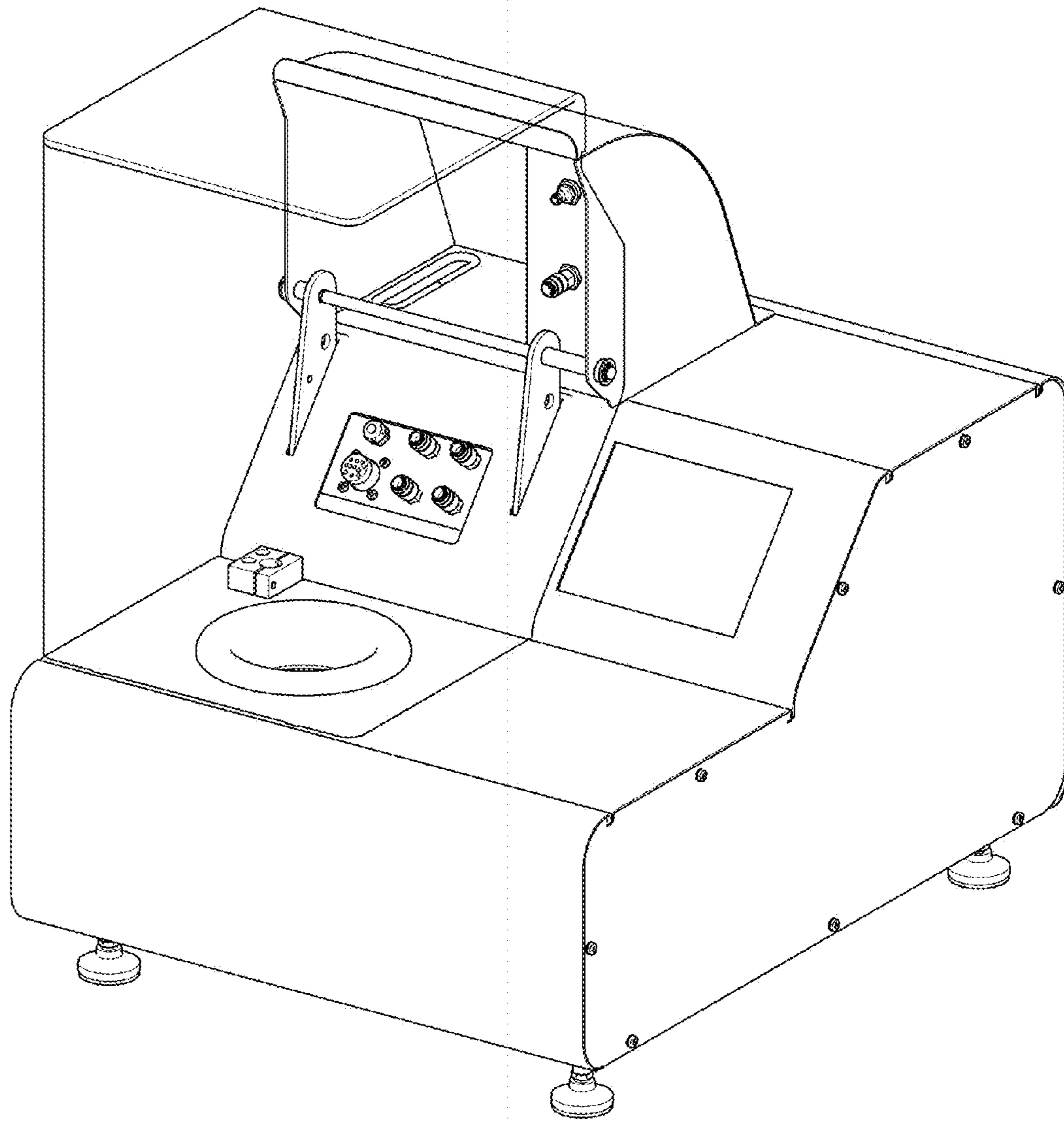


FIG. 8