



US00D750515S

(12) **United States Design Patent**  
**Ditges et al.**

(10) **Patent No.:** **US D750,515 S**  
(45) **Date of Patent:** **\*\* Mar. 1, 2016**

(54) **DEVICE MOUNTING STRUCTURE**

D696,675 S \* 12/2013 Delrue et al. .... D14/447  
D708,187 S \* 7/2014 Xiang ..... D14/447  
D733,697 S \* 7/2015 Palan et al. .... D14/253

(71) Applicant: **Source Communications, LLP**,  
Broomfield, CO (US)

\* cited by examiner

(72) Inventors: **Jeffrey R. Ditges**, Broomfield, CO (US);  
**Andrew Austin**, Broomfield, CO (US)

*Primary Examiner* — Antoine D Davis  
(74) *Attorney, Agent, or Firm* — Lathrop & Gage LLP

(\*\*) Term: **14 Years**

(57) **CLAIM**  
The ornamental design for a device mounting structure, as shown and described.

(21) Appl. No.: **29/503,708**

**DESCRIPTION**

(22) Filed: **Sep. 29, 2014**

(51) **LOC (10) Cl.** ..... **10-04**

(52) **U.S. Cl.**

USPC ..... **D10/74; D14/447**

(58) **Field of Classification Search**

USPC ..... D10/74; D14/447

CPC ..... A47B 2097/005; A47B 2097/006;

B60R 11/00; B60R 11/0211; B60R 11/0229;

B60R 11/0235; B60R 11/0252; B60R

11/0258; B60R 2011/0003; B60R 2011/0005;

B60R 2011/0007; B60R 2011/0056; B60R

2011/0057; B60R 2011/0063

See application file for complete search history.

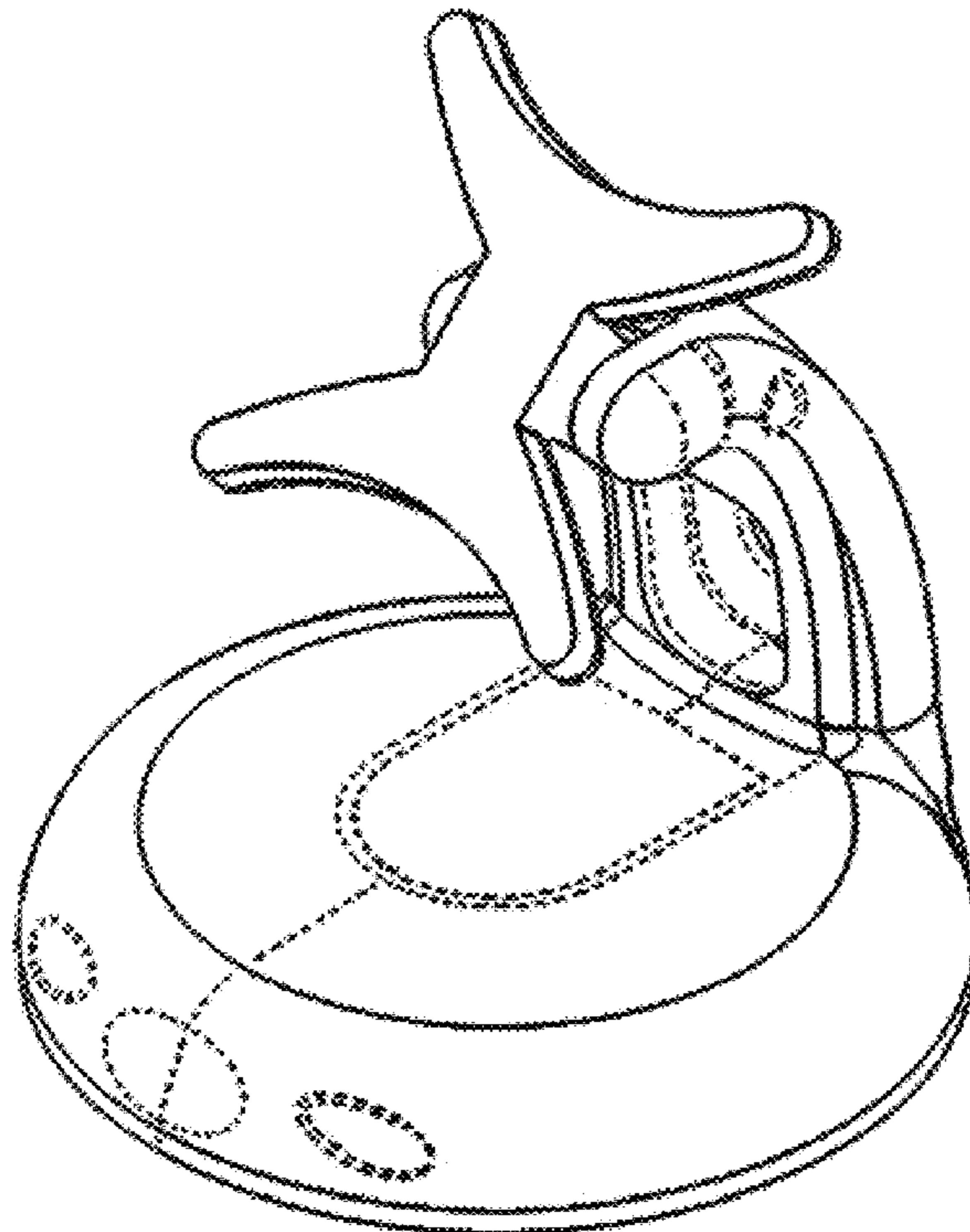
FIG. 1 is an isometric perspective view of a device mounting structure incorporating my new design, in a first embodiment; FIG. 2 is a top view thereof; FIG. 3 is a bottom view thereof; FIG. 4 is a left side view thereof; FIG. 5 is a right side view thereof; FIG. 6 is a front view thereof; FIG. 7 is a back view thereof. FIG. 8 is an isometric perspective view of a device mounting structure incorporating my new design, in a second embodiment; FIG. 9 is a top view thereof; FIG. 10 is a bottom view thereof; FIG. 11 is a left side view thereof; FIG. 12 is a right side view thereof; FIG. 13 is a front view thereof; and, FIG. 14 is a back view thereof. Broken lines in the drawings form no part of the claimed design.

(56) **References Cited**

**U.S. PATENT DOCUMENTS**

D592,188 S \* 5/2009 Huang ..... D14/217  
8,317,152 B1 \* 11/2012 Zhou ..... 248/596  
8,567,739 B2 \* 10/2013 Zhou ..... 248/397

**1 Claim, 14 Drawing Sheets**



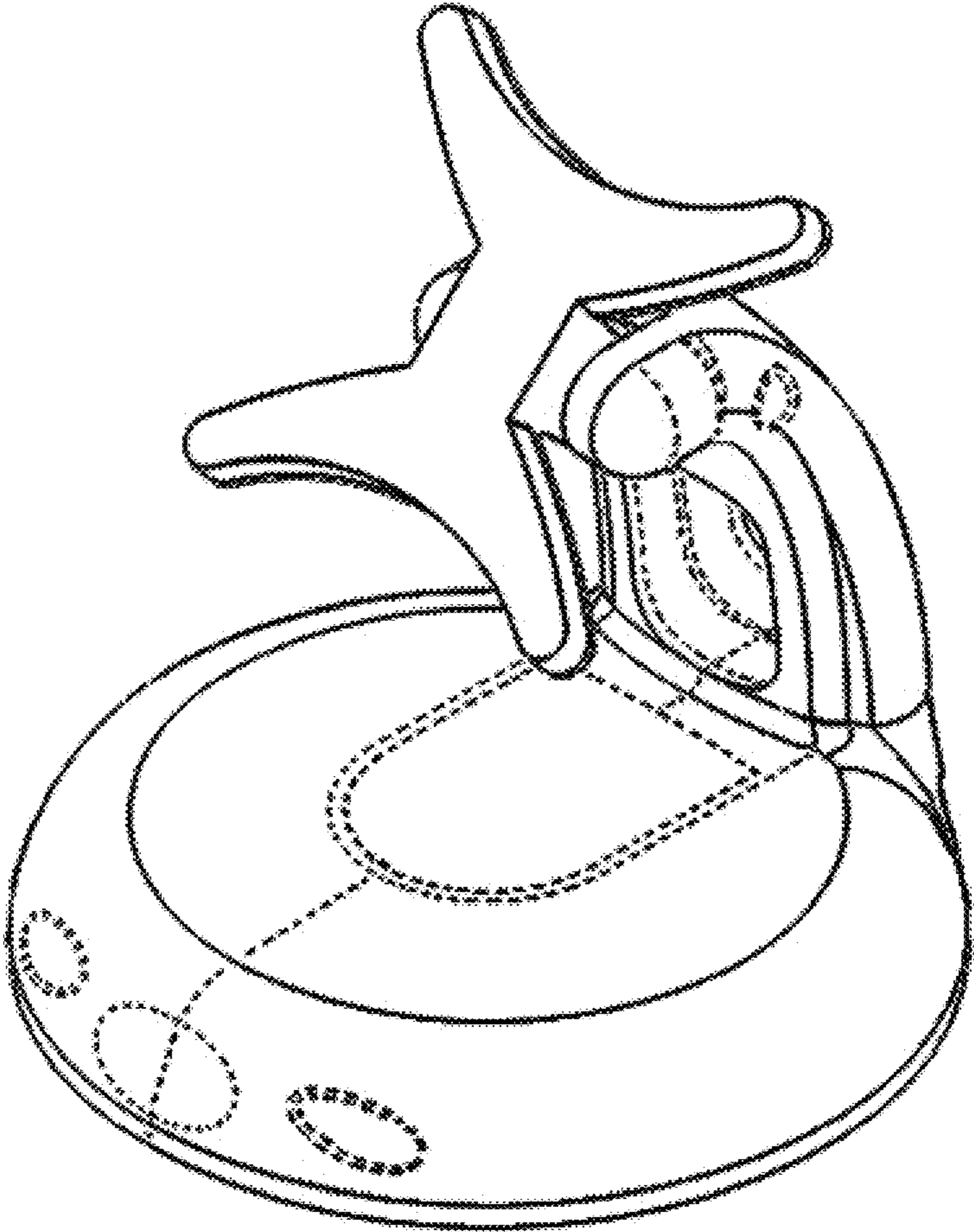


FIG. 1

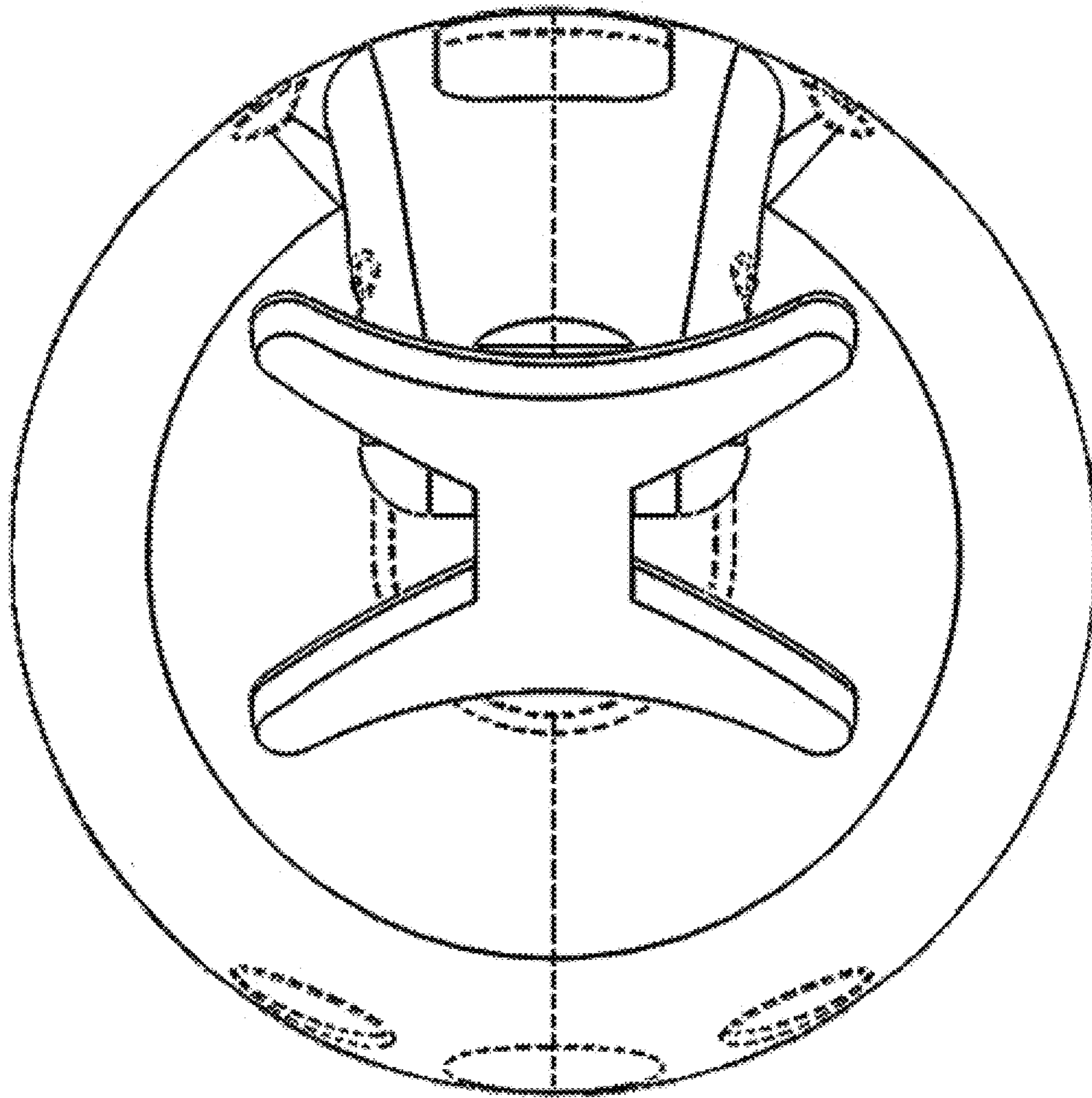


FIG. 2

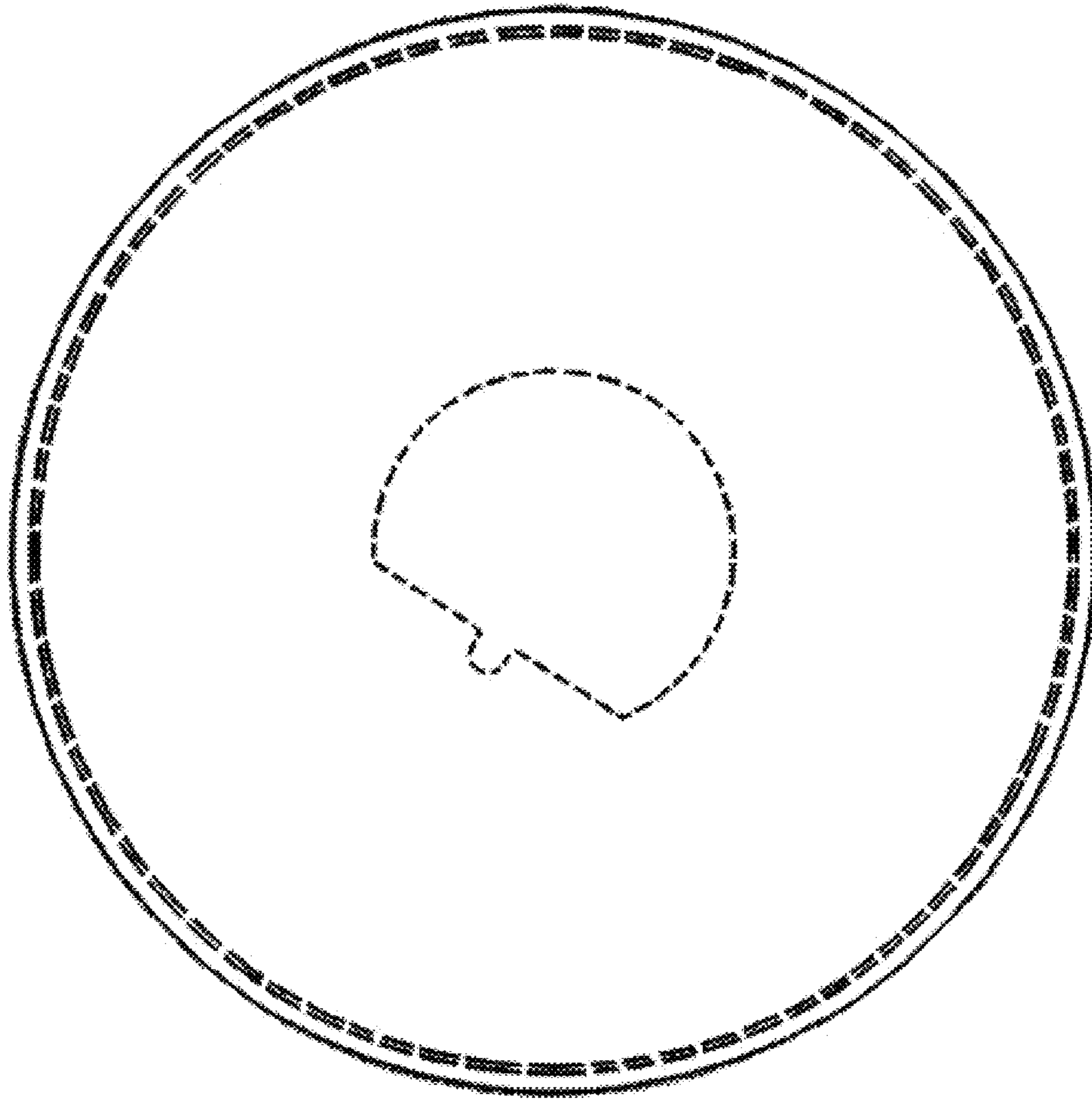


FIG. 3

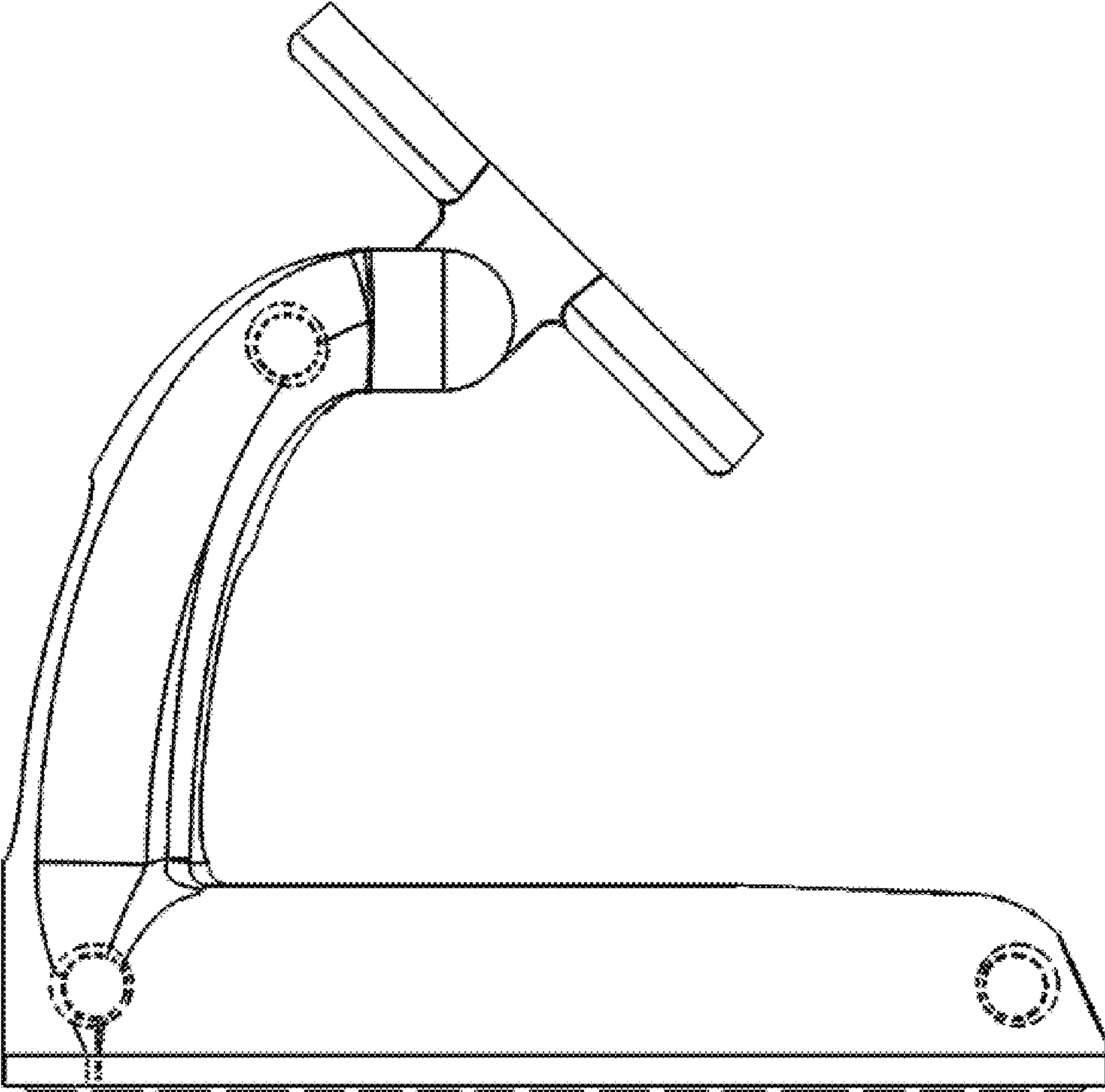


FIG. 4

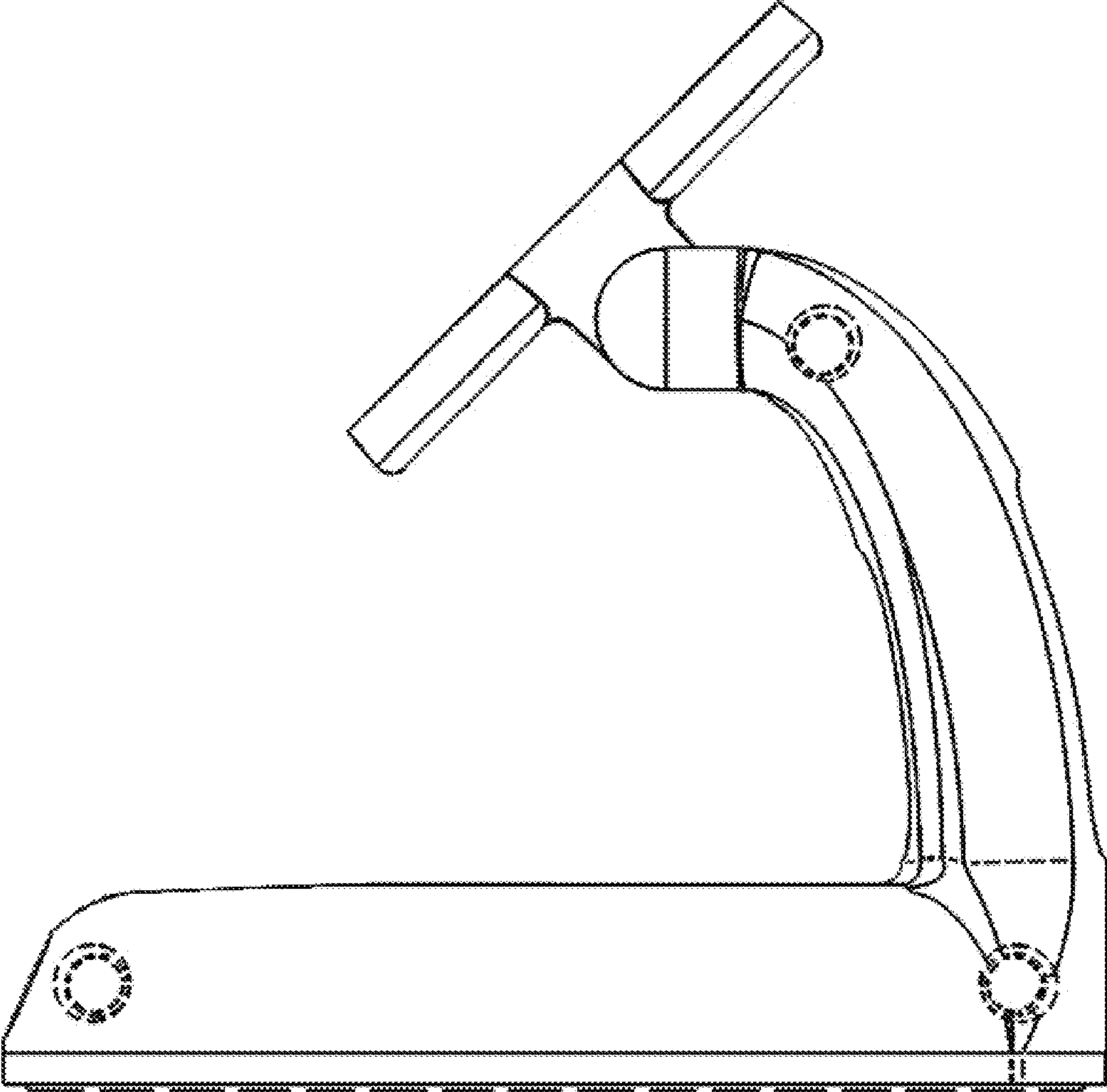


FIG. 5

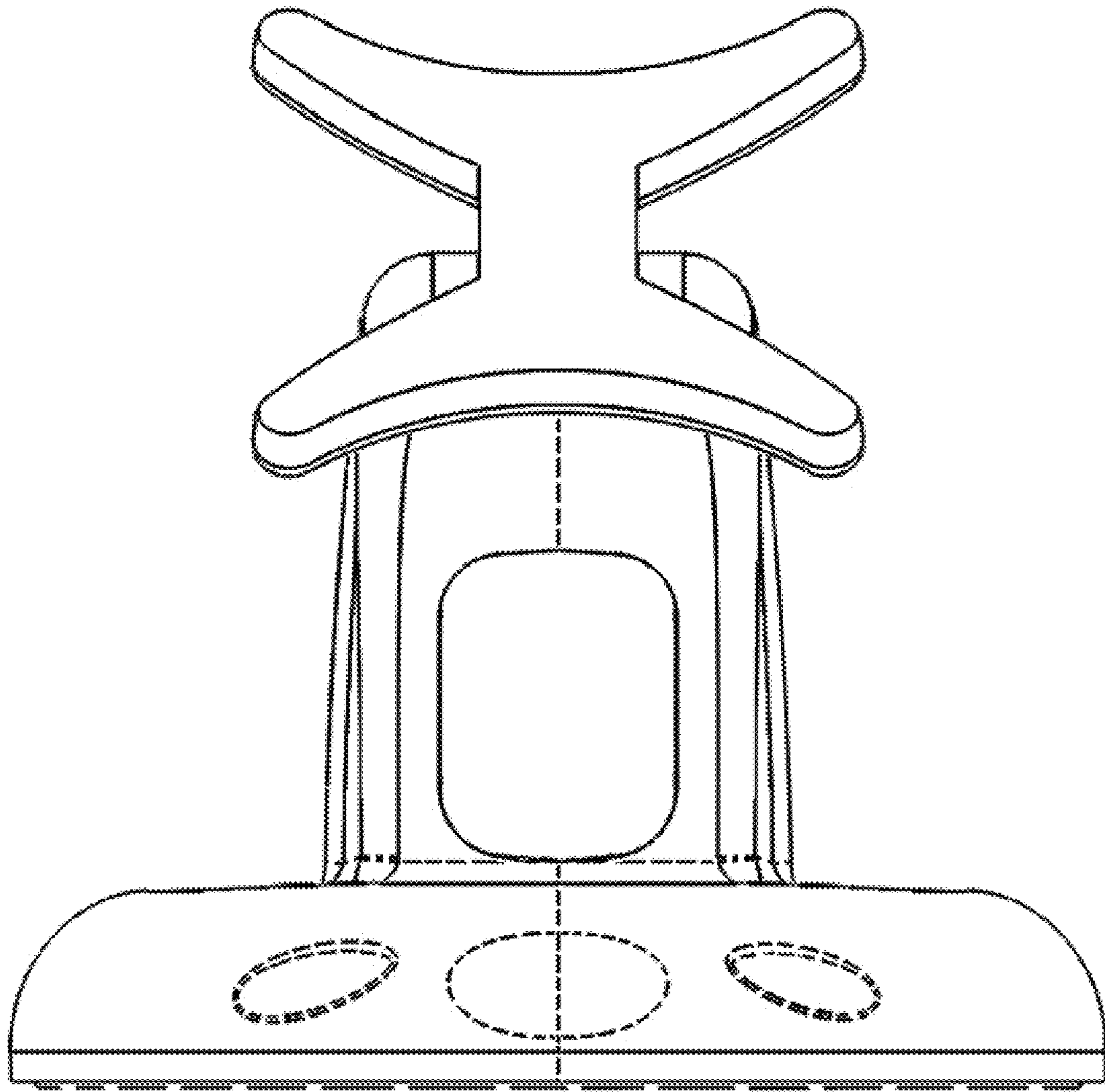


FIG. 6

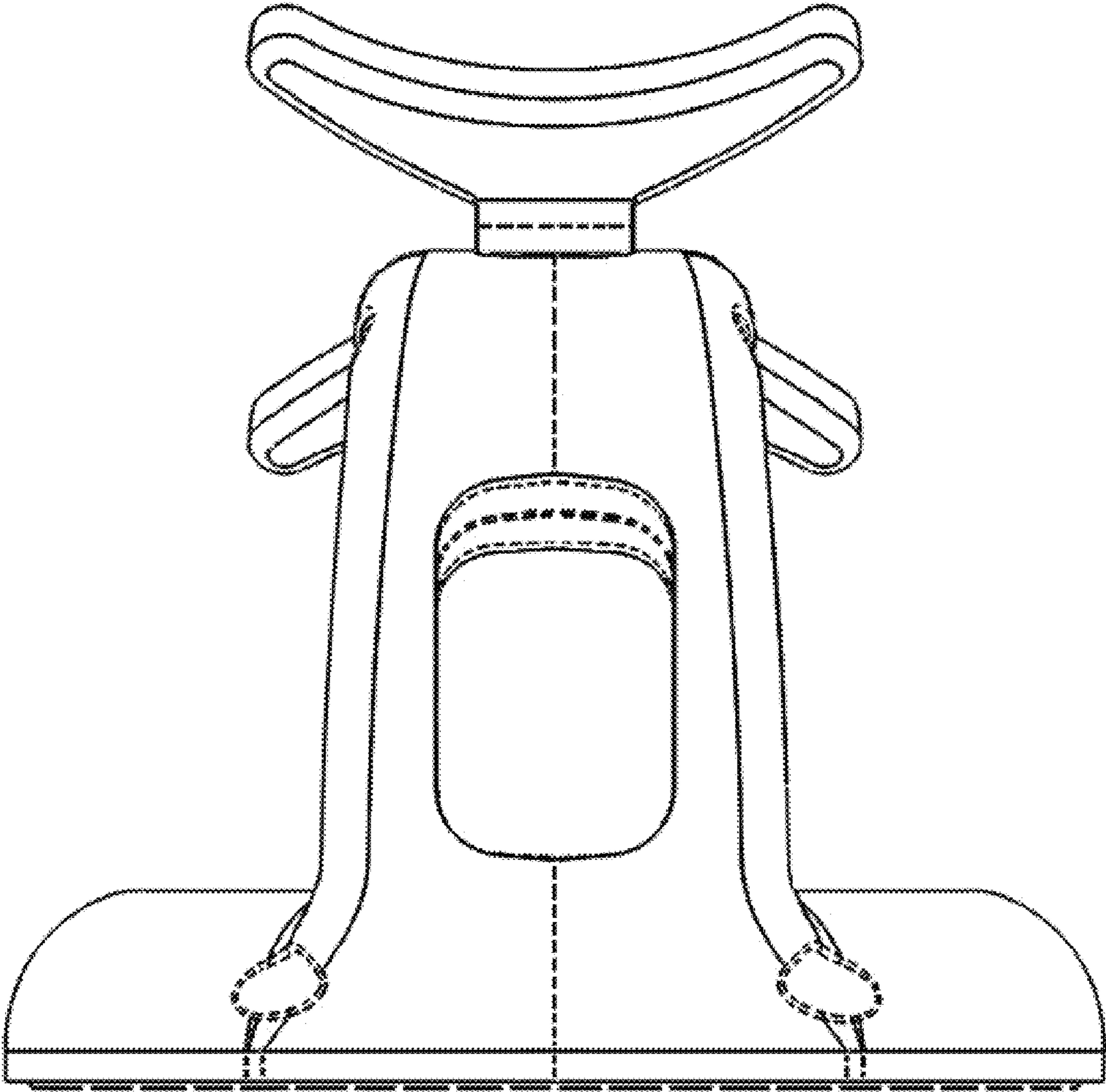


FIG. 7



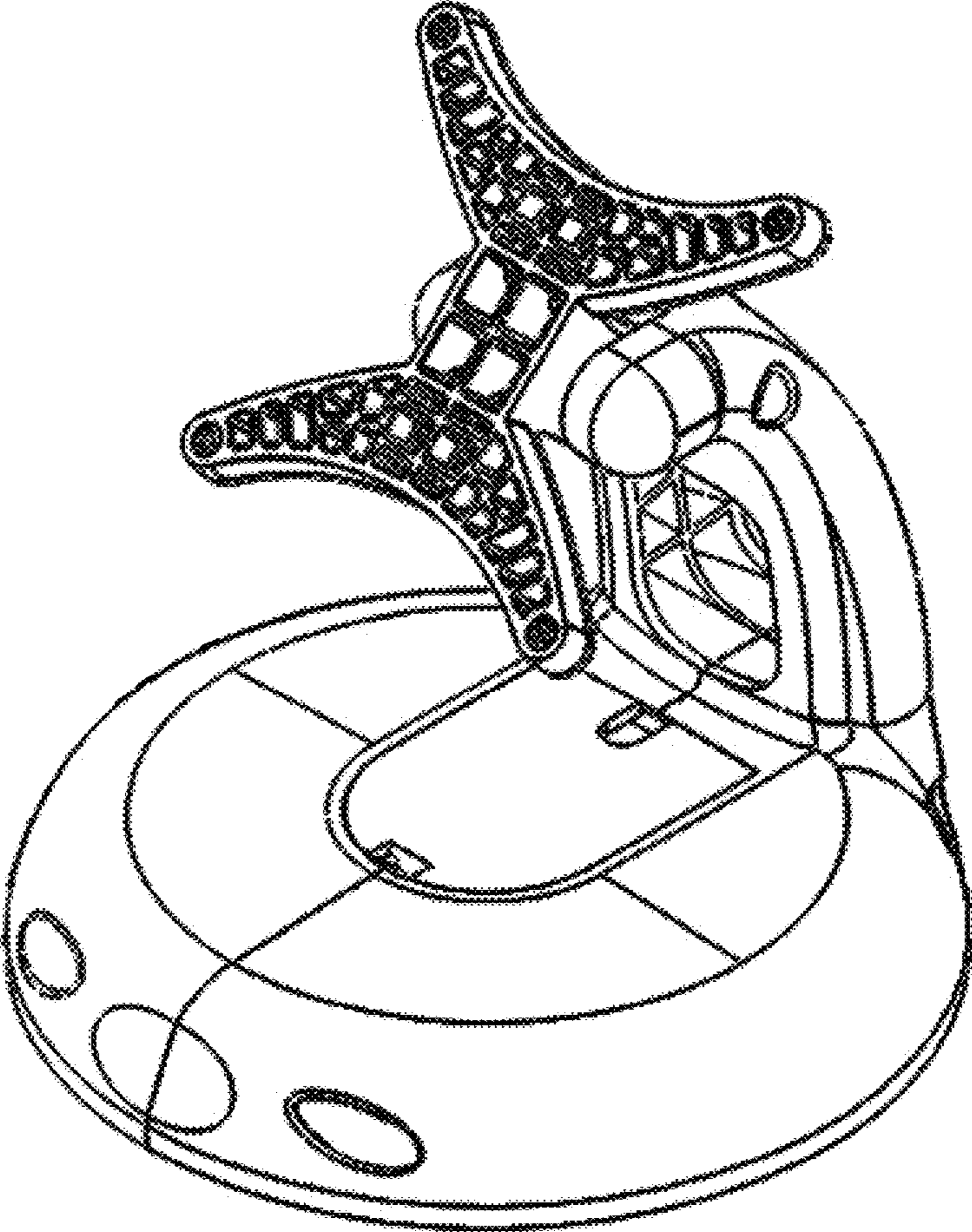


FIG. 8

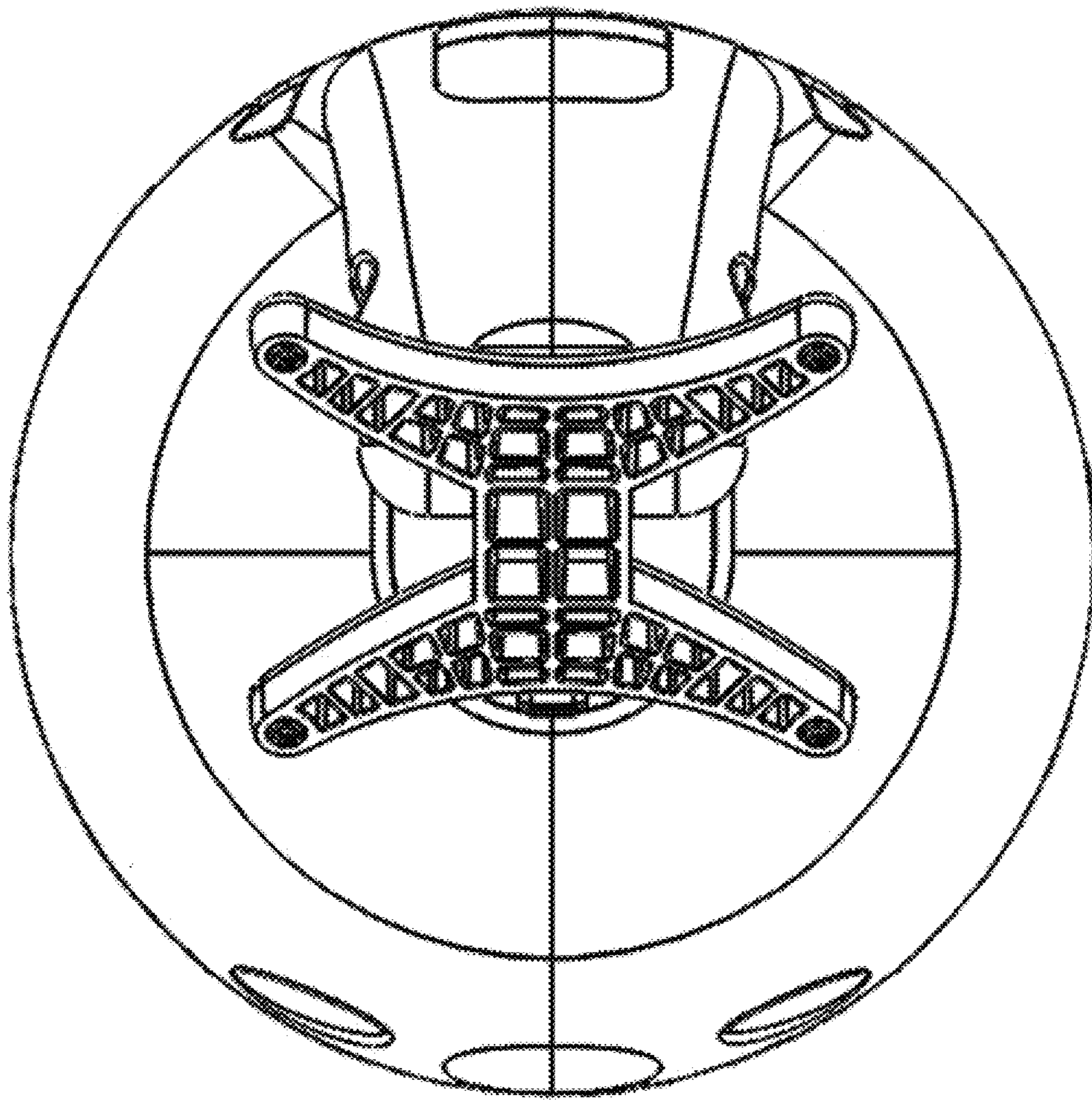


FIG. 9

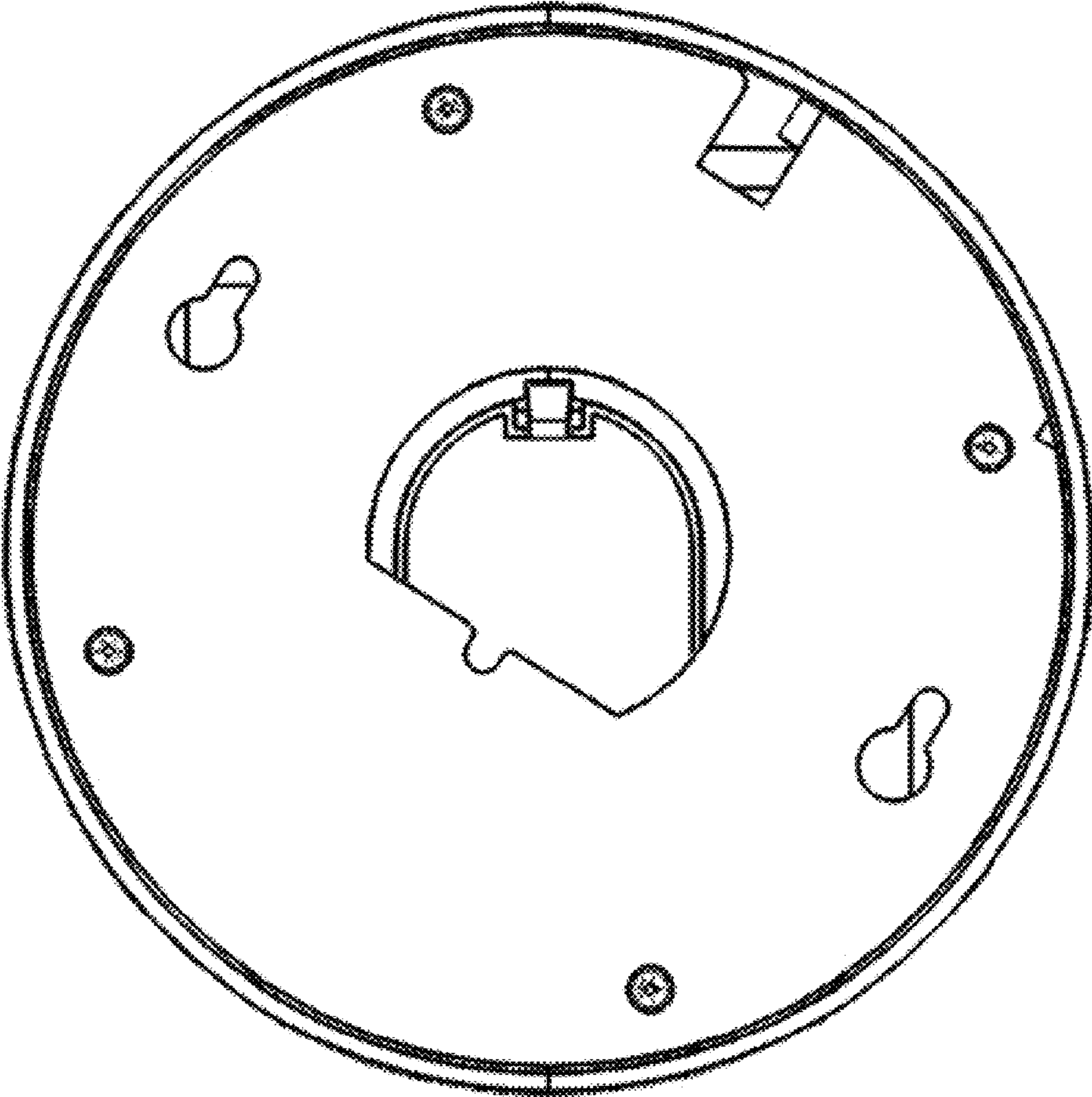


FIG. 10

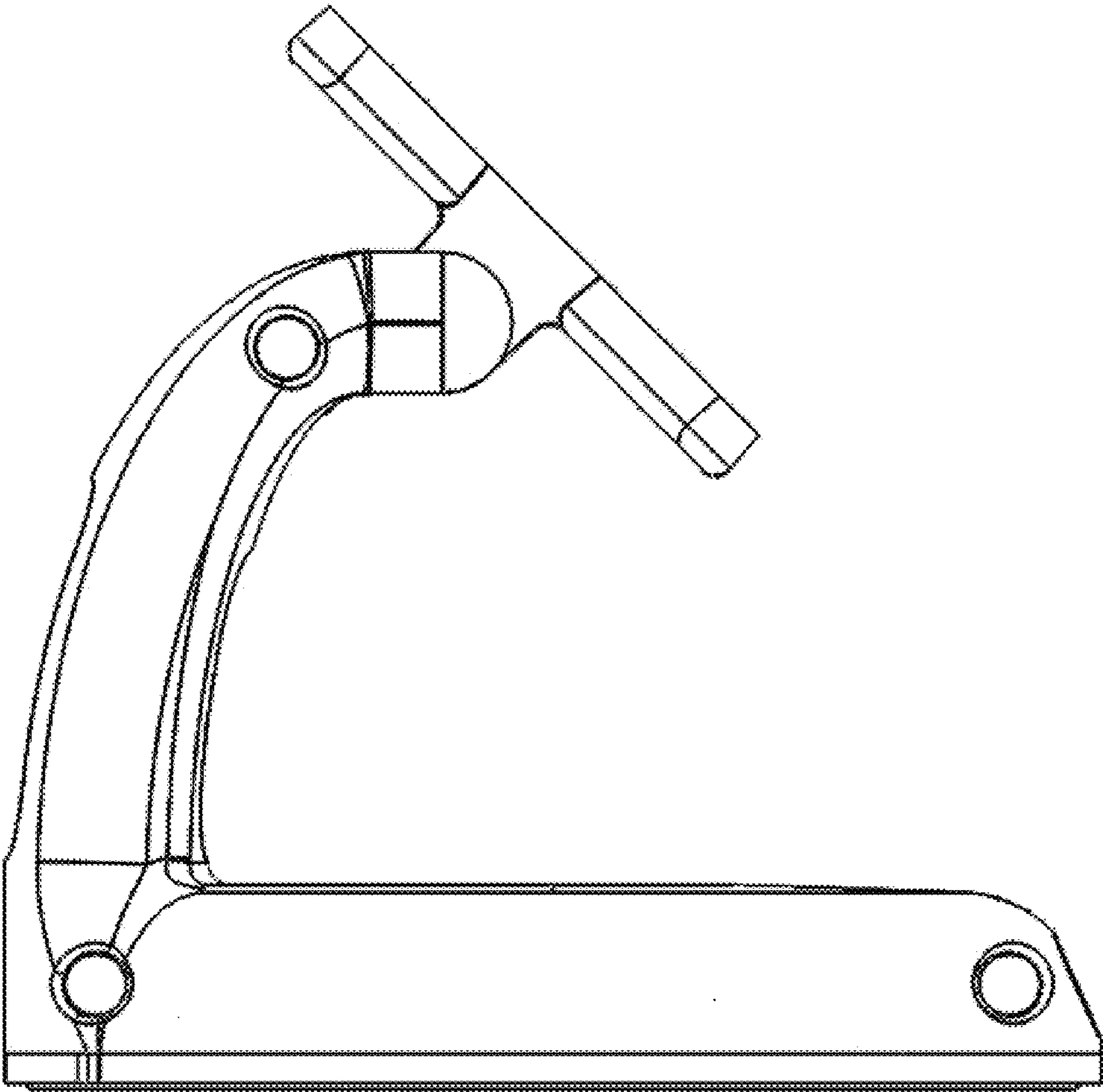


FIG. 11

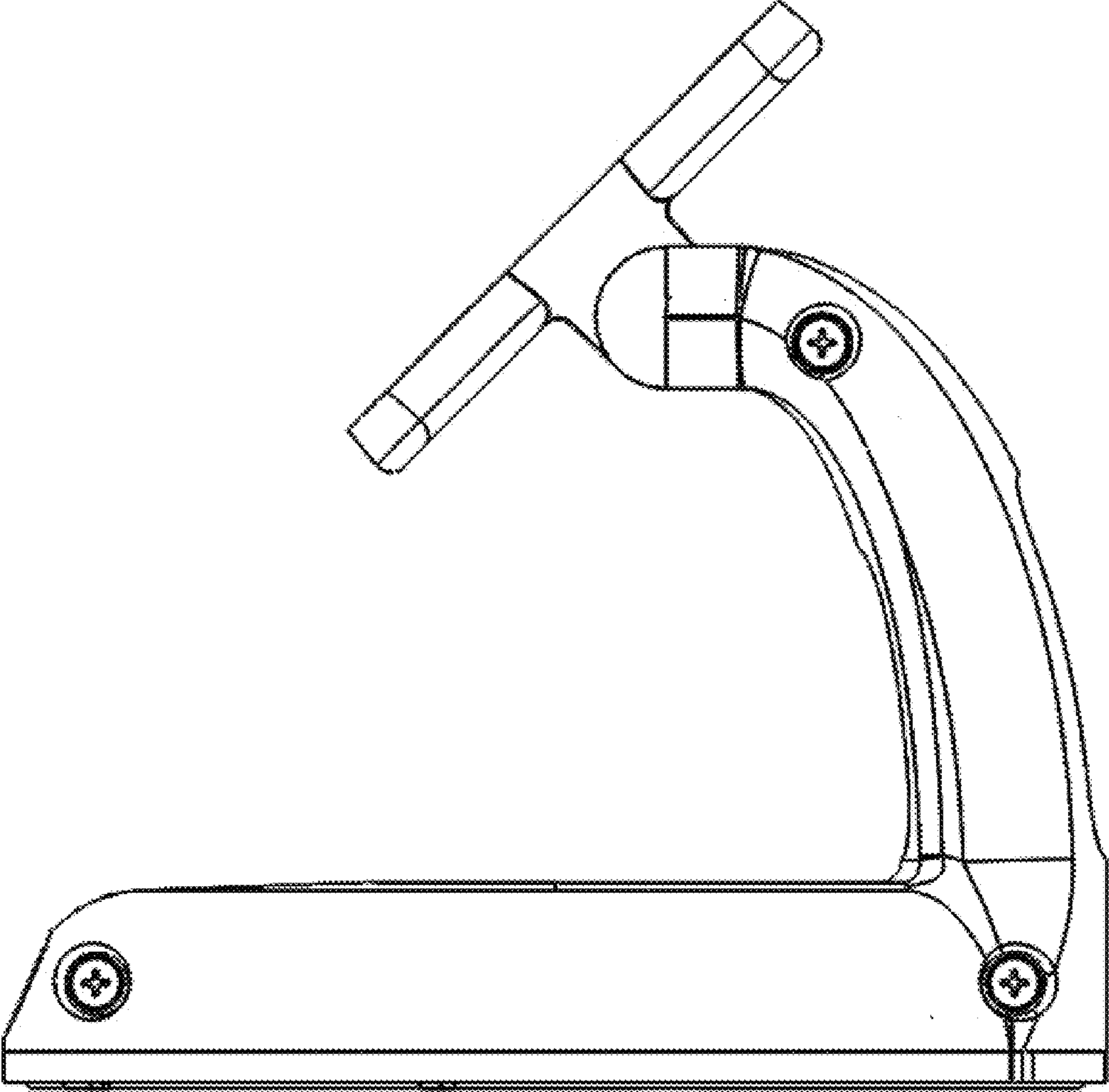


FIG. 12

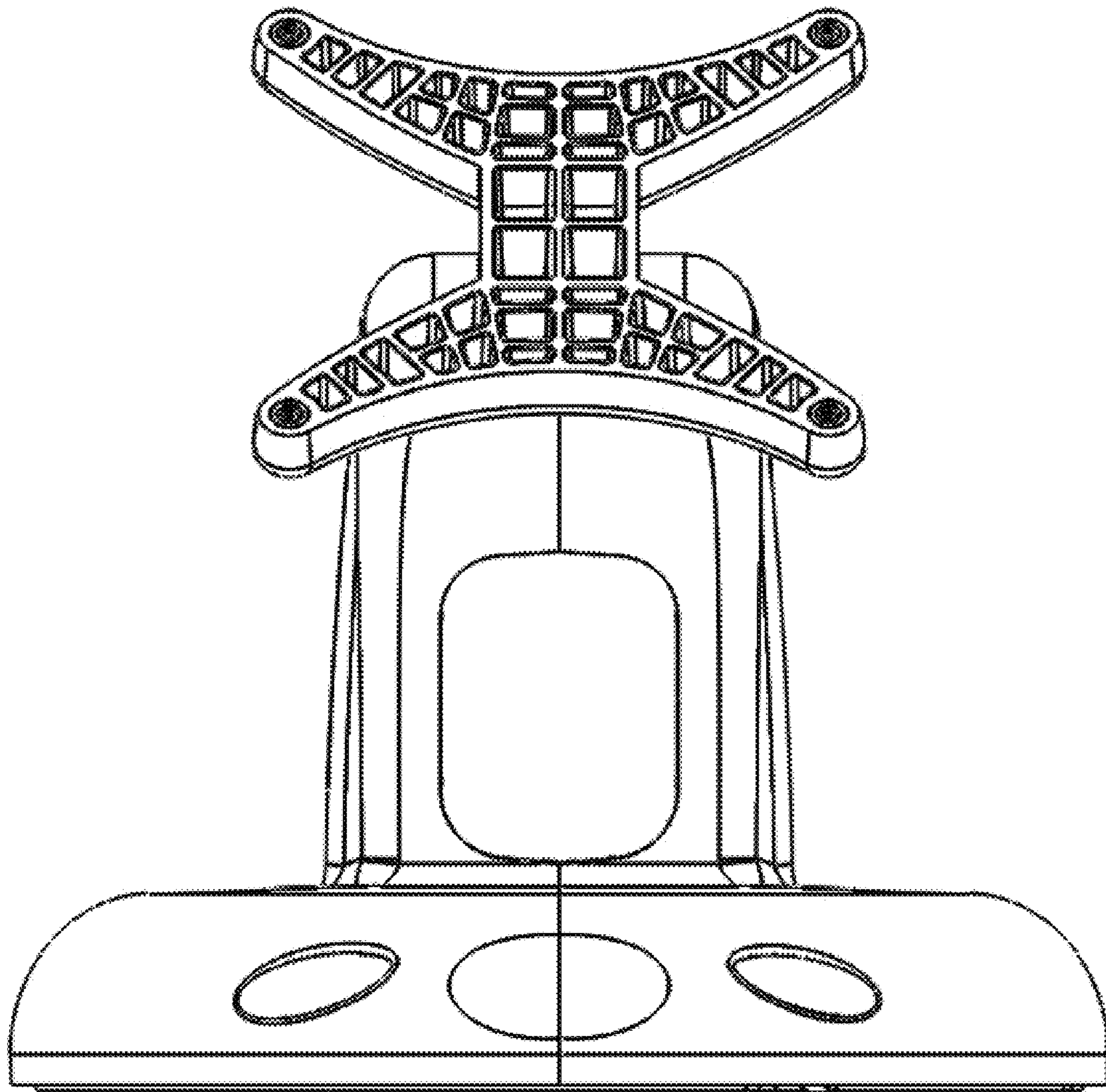


FIG. 13

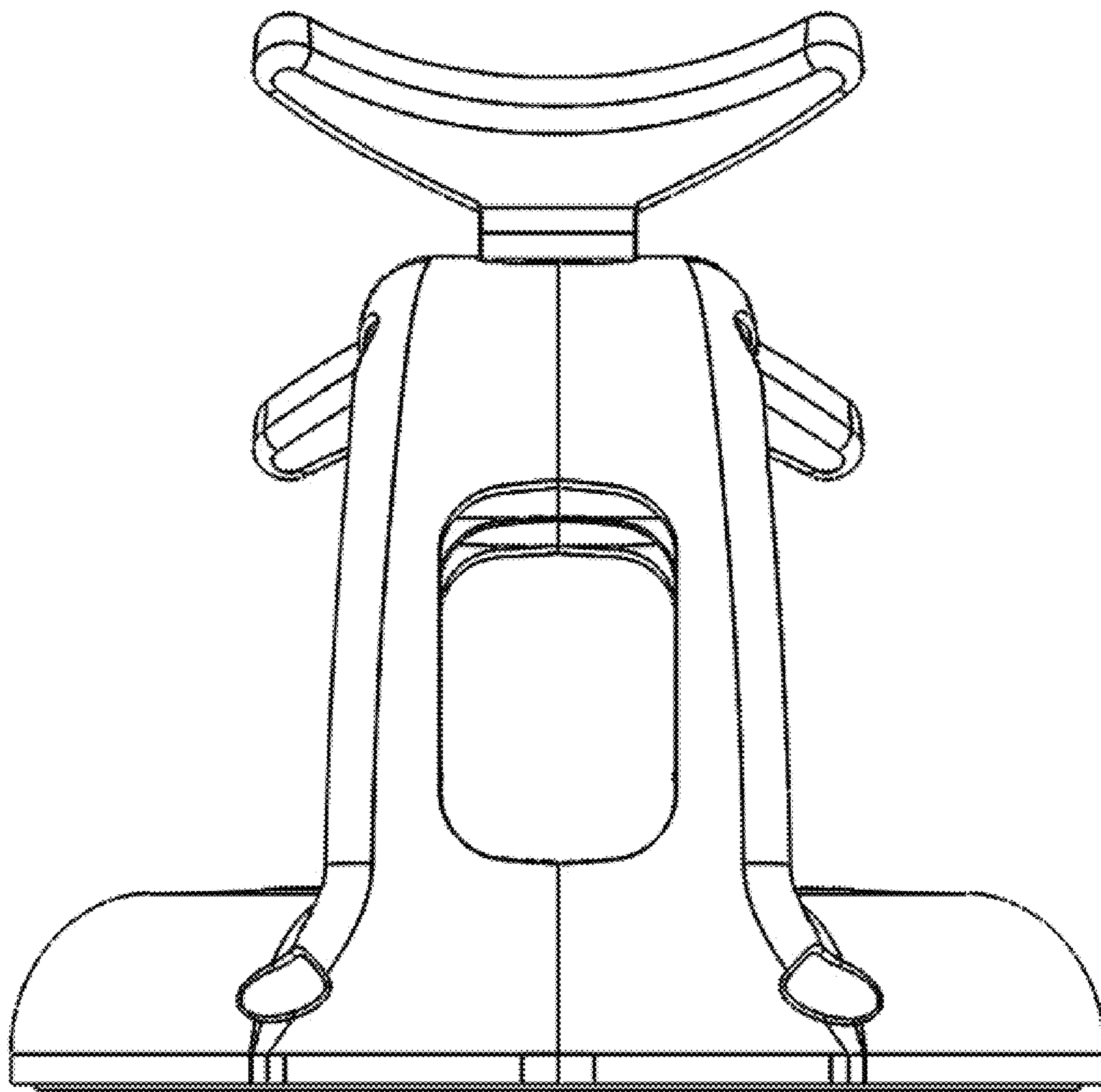


FIG. 14