



US00D750513S

(12) **United States Design Patent**
King et al.

(10) **Patent No.:** **US D750,513 S**
(45) **Date of Patent:** **** Mar. 1, 2016**

(54) **POLE-MOUNTED VEHICLE SENSOR**
(71) Applicant: **IPS GROUP INC.**, San Diego, CA (US)
(72) Inventors: **David William King**, Rancho Santa Fe, CA (US); **Anthony Babaran**, San Diego, CA (US); **Ron Lawrence**, San Diego, CA (US); **Toshiyasu Matsuyama**, Rancho Dominguez, CA (US)

6,229,455 B1 5/2001 Saar et al.
D447,714 S 9/2001 Cappiello
D449,010 S 10/2001 Petrucelli
D454,807 S 3/2002 Cappiello
D463,749 S 10/2002 Petrucelli
D692,784 S * 11/2013 Anderssen et al. D10/70
8,631,921 B2 1/2014 Anastacio et al.
2007/0210935 A1 9/2007 Saar et al.
2011/0063133 A1 3/2011 Fasciano et al.

(73) Assignee: **IPS GROUP INC.**, San Diego, CA (US)
(**) Term: **14 Years**

FOREIGN PATENT DOCUMENTS

EP 1128350 10/2007
WO WO2014/014494 1/2014

(21) Appl. No.: **29/499,444**

* cited by examiner

(22) Filed: **Aug. 14, 2014**

Primary Examiner — Antoine D Davis

(51) **LOC (10) Cl.** **10-04**

(74) *Attorney, Agent, or Firm* — Wilson Sonsini Goodrich & Rosati

(52) **U.S. Cl.**
USPC **D10/70**

(57) **CLAIM**

The ornamental design for a pole-mounted vehicle sensor, as shown and described.

(58) **Field of Classification Search**
USPC D10/70

DESCRIPTION

CPC B60R 25/33; G08G 1/14; G08G 1/141; G08G 1/142; G08G 1/143; G08G 1/144; G08G 1/145; G08G 1/146; G08G 1/147; G08G 1/148; G08G 1/149

FIG. 1 is a perspective view of a pole-mounted vehicle sensor, showing our new design;
FIG. 2 is a front elevational view thereof;
FIG. 3 is a rear elevational view thereof;
FIG. 4 is a left side elevational view thereof;
FIG. 5 is a right side elevational view thereof;
FIG. 6 is a top plan view thereof; and,
FIG. 7 is a bottom plan view thereof.

See application file for complete search history.

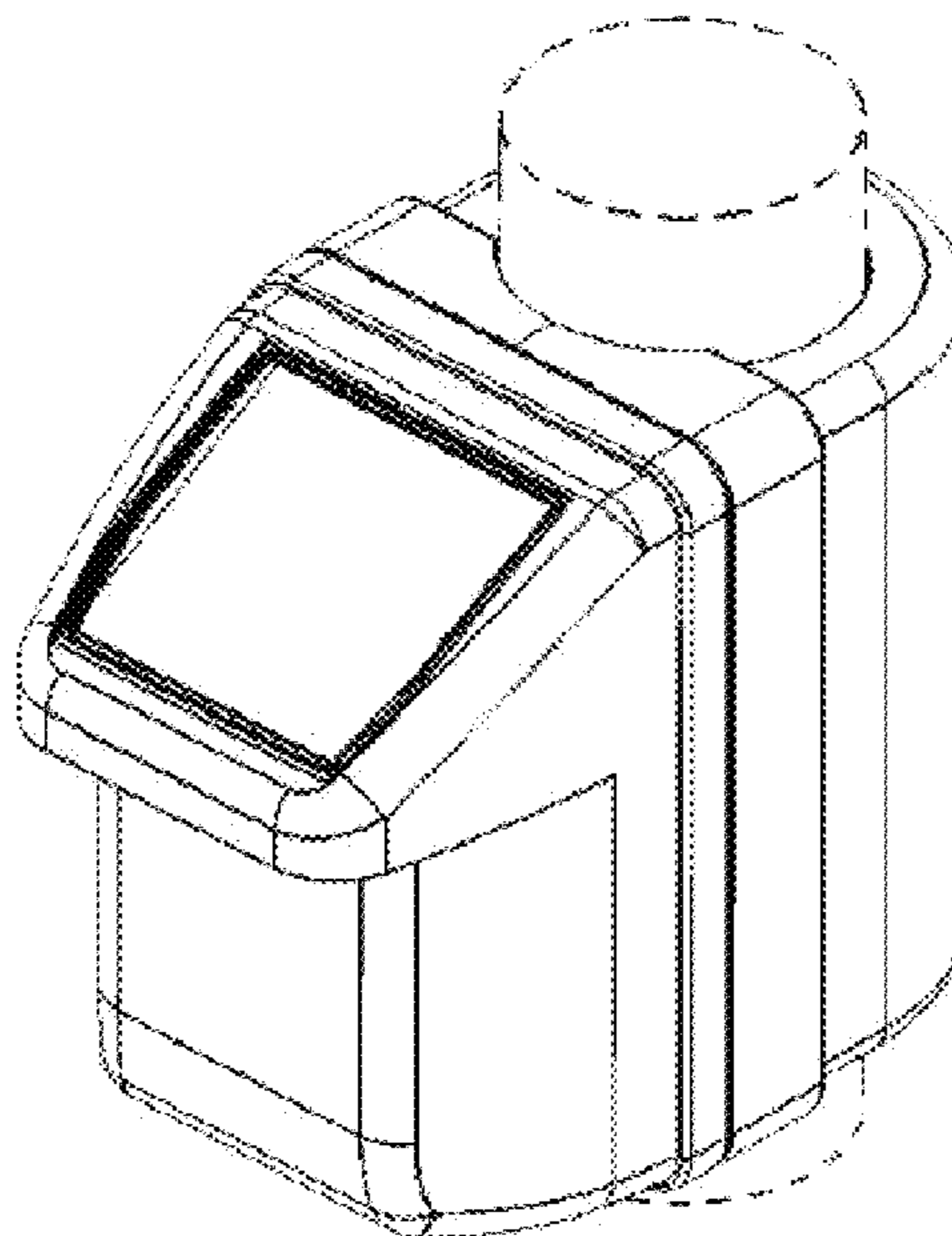
The broken line showing of environmental matter is for illustrative purposes only and forms no part of the claimed design.

(56) **References Cited**

U.S. PATENT DOCUMENTS

5,777,951 A 7/1998 Mitschele et al.
D400,115 S 10/1998 Yaron et al.
D439,591 S 3/2001 Reidt et al.

1 Claim, 7 Drawing Sheets



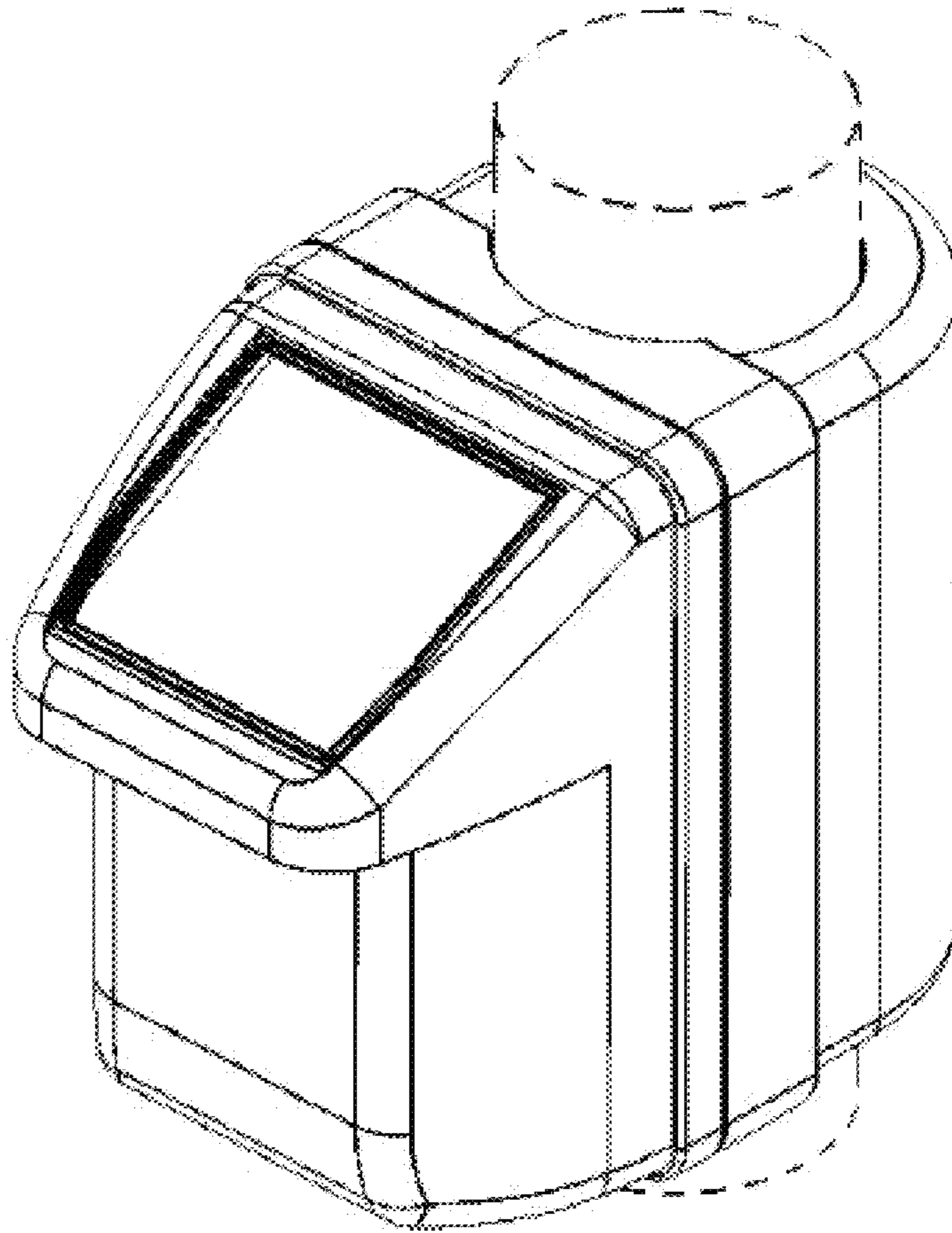


FIG. 1

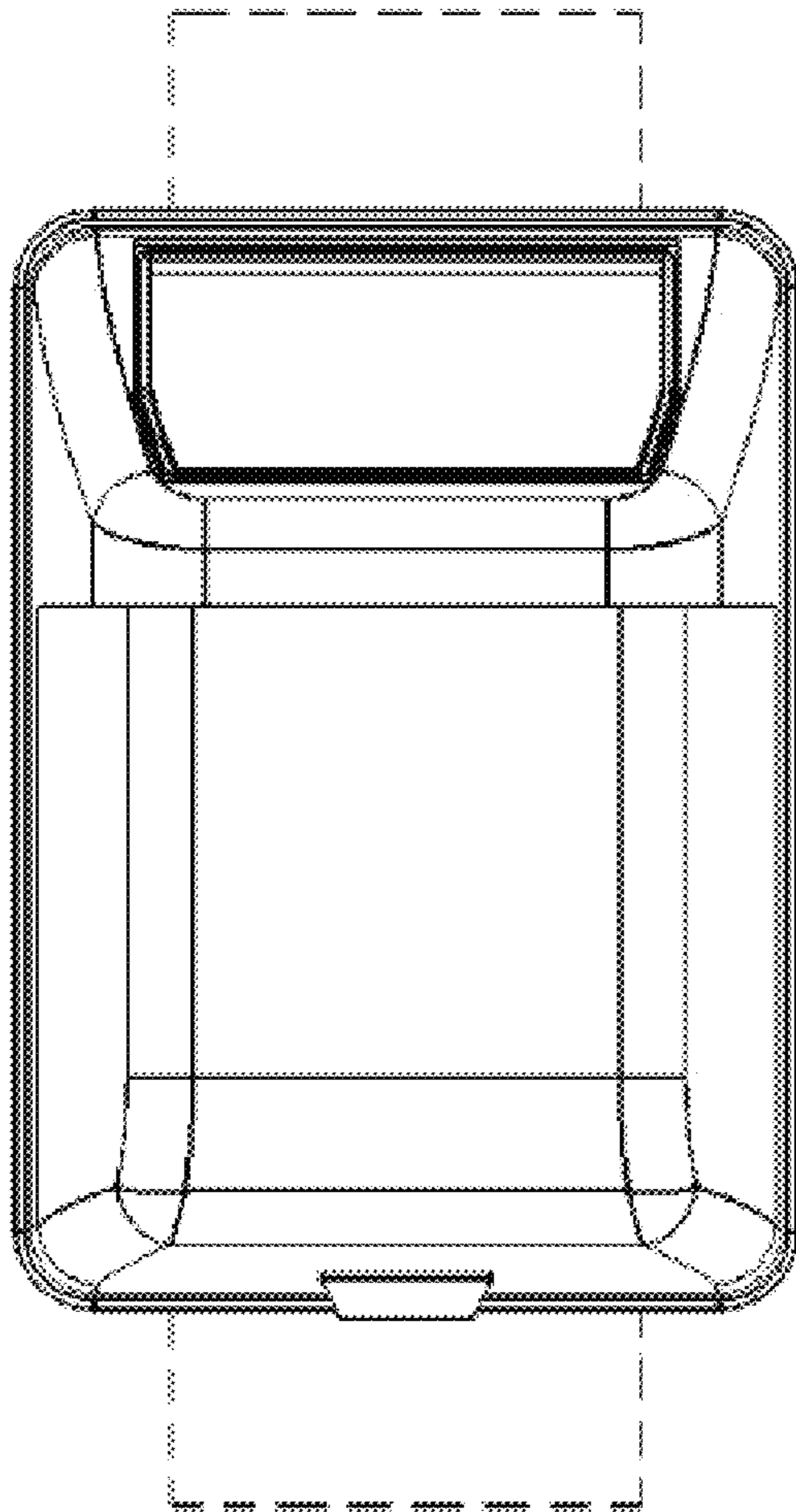


FIG.2

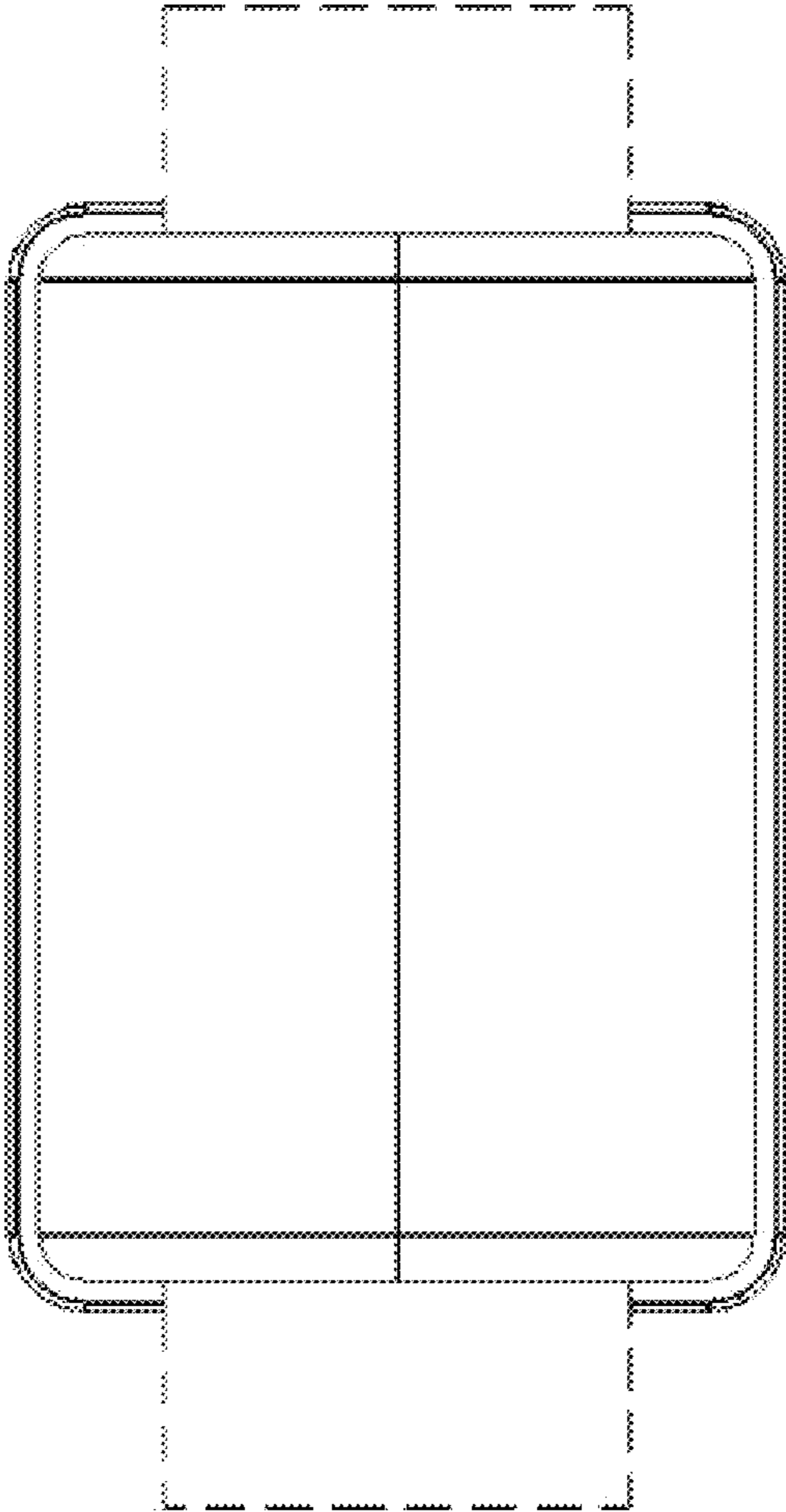


FIG.3

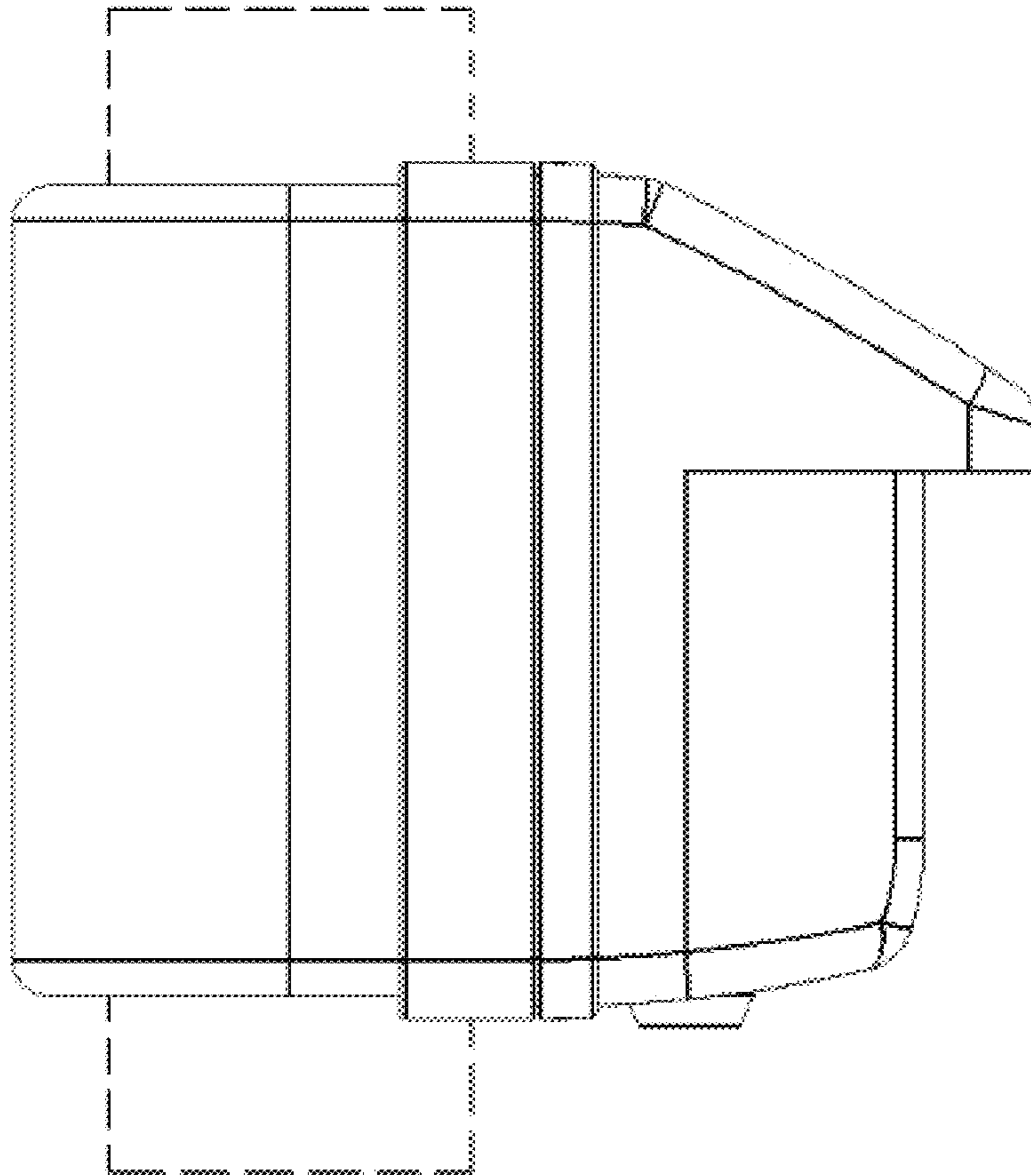


FIG.4

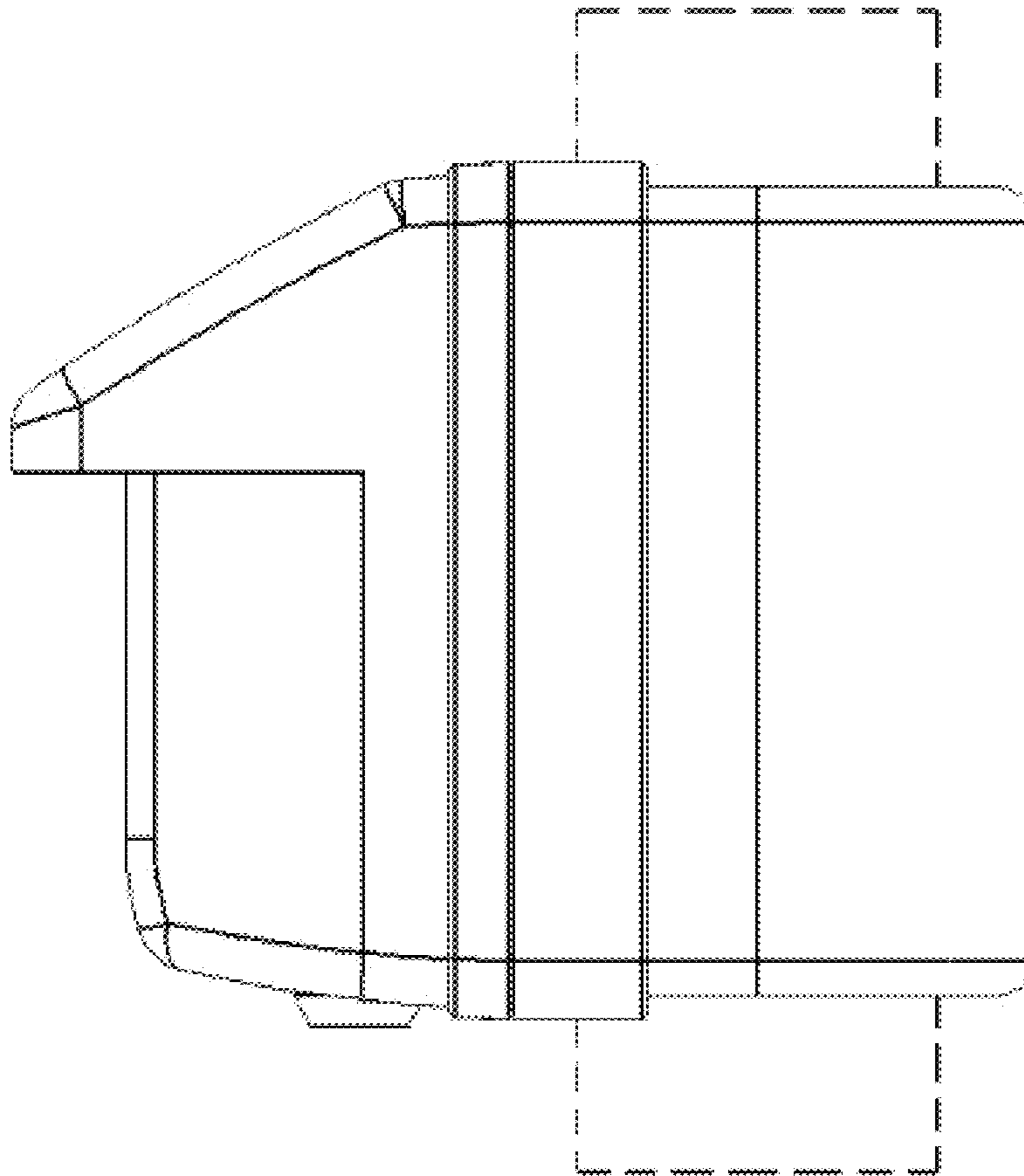


FIG. 5

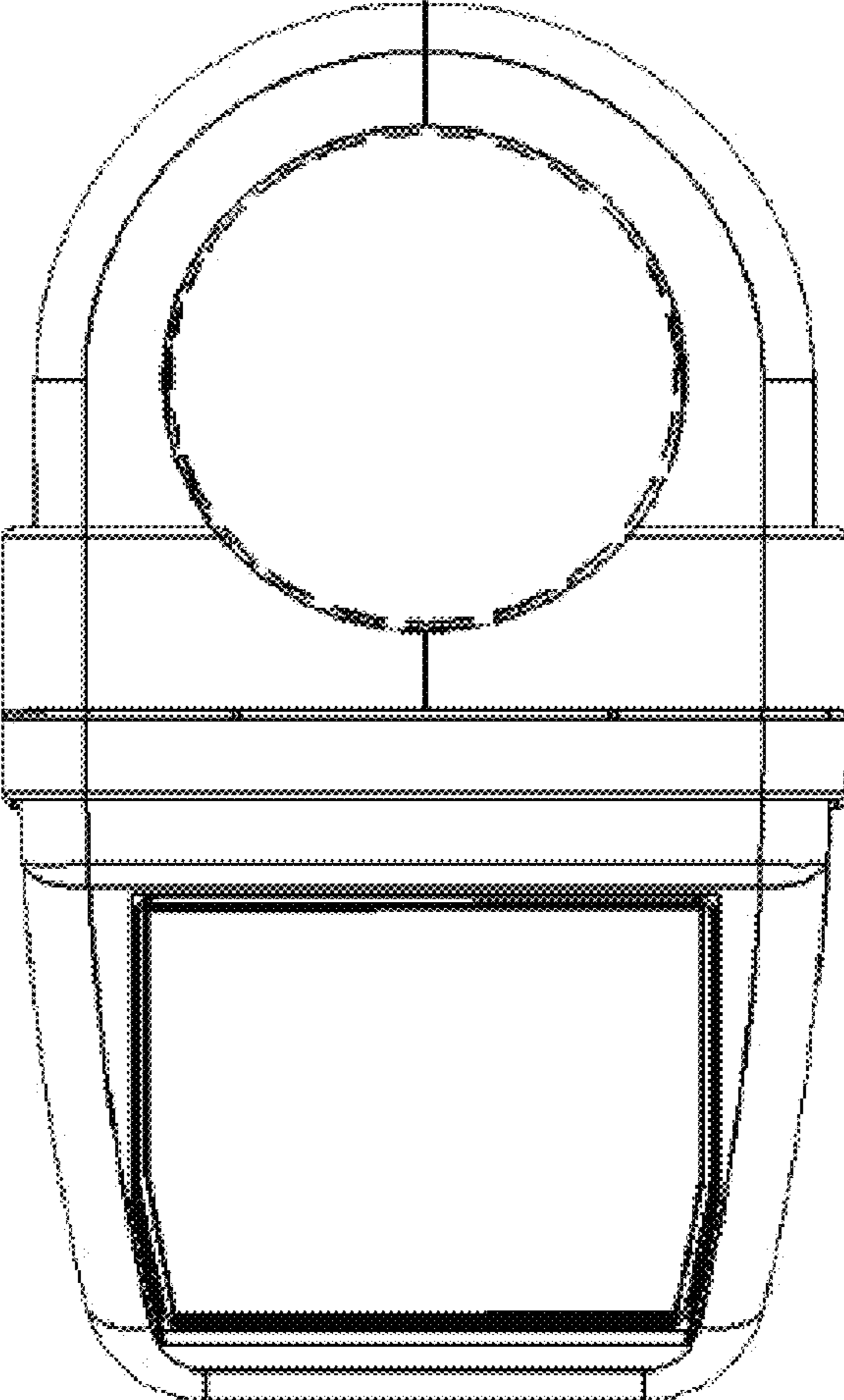


FIG. 6

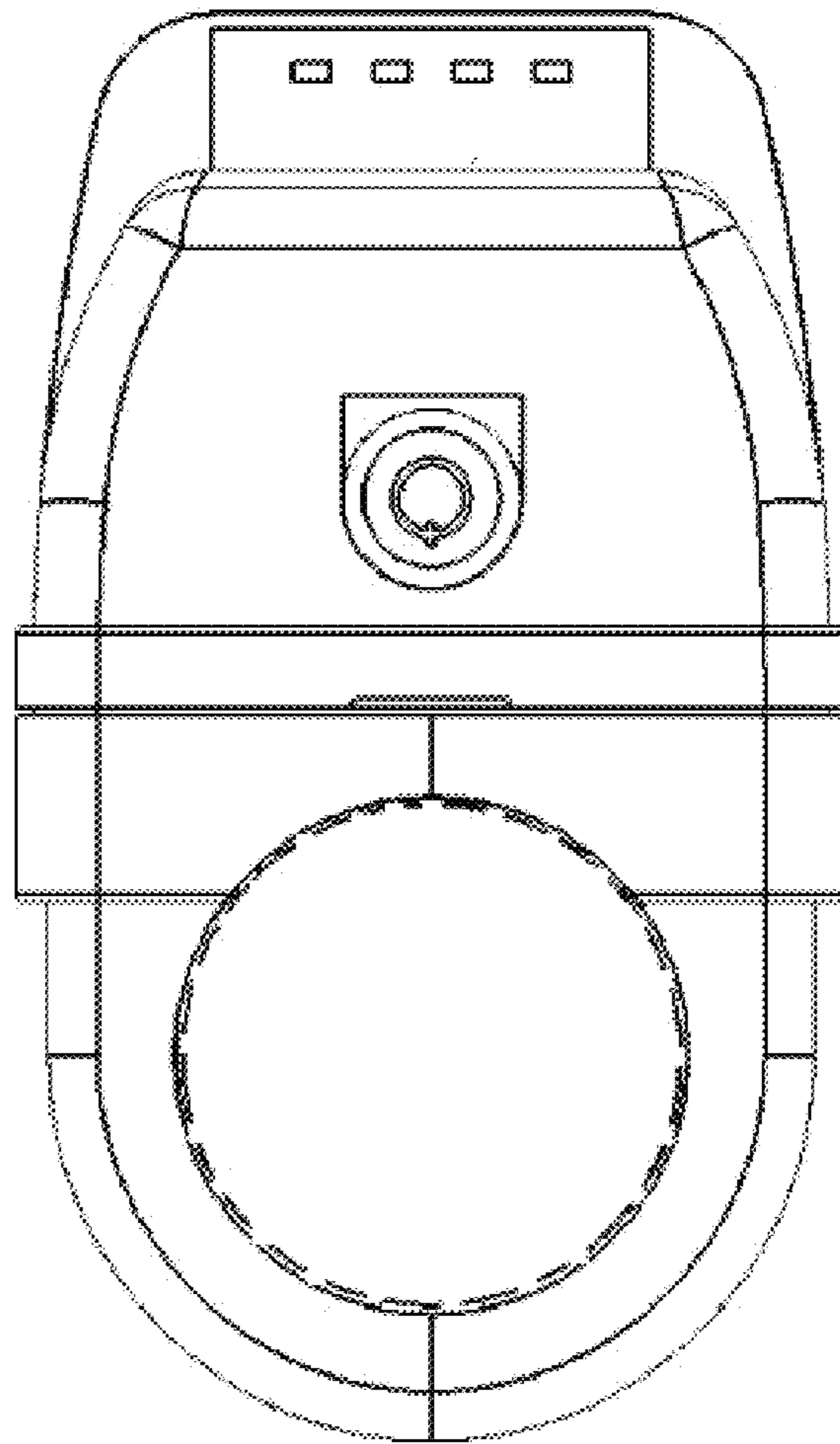


FIG. 7