



US00D750512S

(12) **United States Design Patent**
Wojciechowski et al.

(10) **Patent No.:** **US D750,512 S**
(45) **Date of Patent:** **** Mar. 1, 2016**

(54) **LEVEL**

- (71) Applicant: **Diamond Tech LLC**, Carson City, NV (US)
- (72) Inventors: **Timothy J. Wojciechowski**, Hubertus, WI (US); **William G. Johnson**, Mequon, WI (US); **Robert A. Johnson**, Mequon, WI (US)
- (73) Assignee: **Diamond Tech LLC**, Carson City, NV (US)
- (**) Term: **14 Years**
- (21) Appl. No.: **29/514,800**
- (22) Filed: **Jan. 16, 2015**
- (51) **LOC (10) Cl.** **10-04**
- (52) **U.S. Cl.**
USPC **D10/69**
- (58) **Field of Classification Search**
USPC D10/69
CPC G01C 9/24; G01C 9/26; G01C 9/28;
G01C 9/30; G01C 9/32; G01C 9/34; G01C
9/36

See application file for complete search history.

(56) **References Cited**

U.S. PATENT DOCUMENTS

D479,139 S *	9/2003	Kallabis	D10/69
D521,399 S	5/2006	Johnson et al.	
D555,523 S	11/2007	Nickel et al.	
D633,400 S	3/2011	Wojciechowski et al.	
D634,221 S	3/2011	Wojciechowski et al.	
D735,064 S *	7/2015	Wojciechowski	D10/69

* cited by examiner

Primary Examiner — Antoine D Davis

(74) *Attorney, Agent, or Firm* — Boyle Fredrickson, S.C.

(57) **CLAIM**

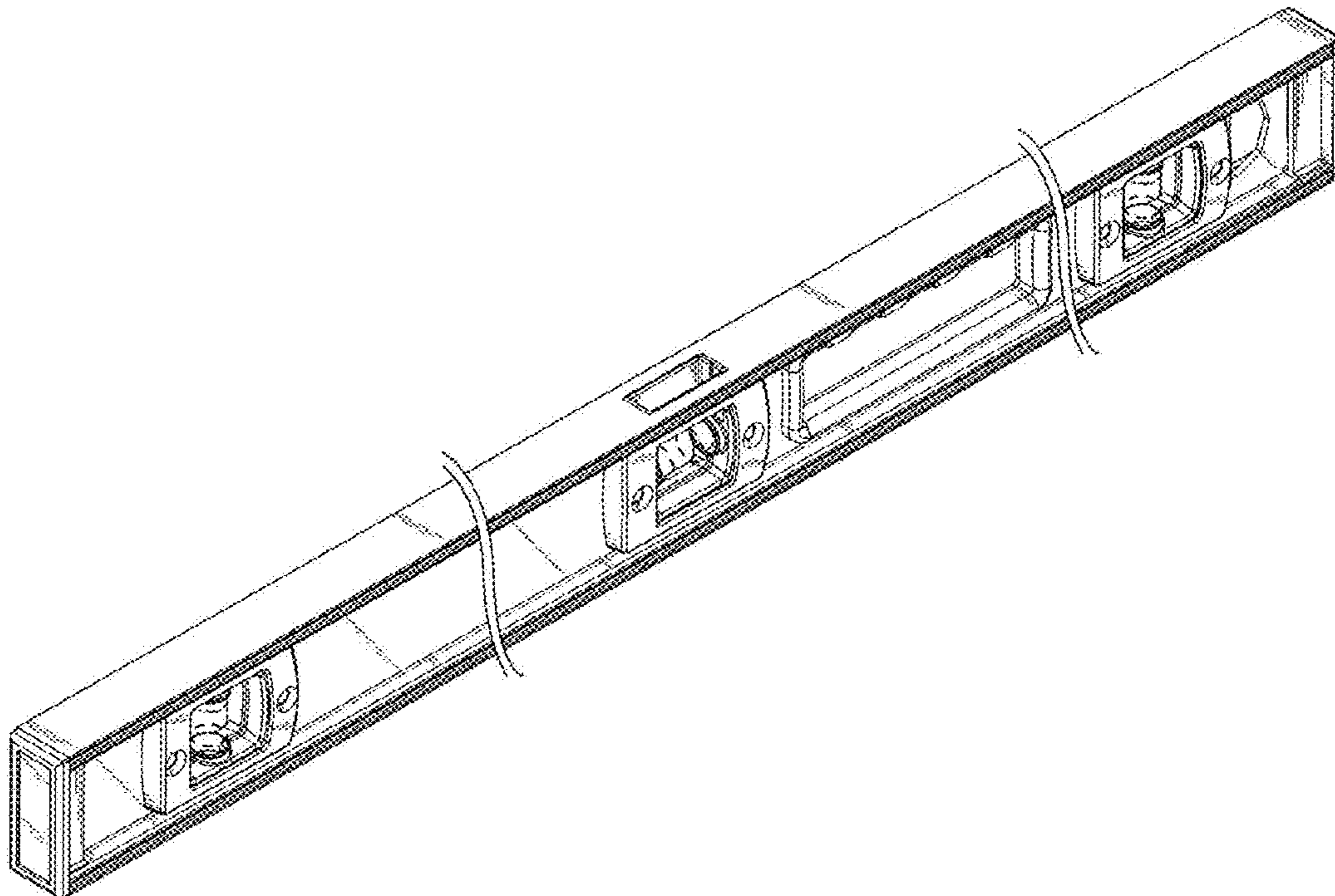
The ornamental design of a level, as shown and described.

DESCRIPTION

FIG. 1 is an isometric view of a level incorporating our new design;
 FIG. 2 is a front elevation view thereof;
 FIG. 3 is a rear elevation view thereof;
 FIG. 4 is a top plan view thereof;
 FIG. 5 is a bottom plan view thereof; and,
 FIGS. 6 and 7 are end elevation views thereof.

The article is shown with a symbolic break in its length and width. The appearance of any portion of the article between the break lines forms no part of the claimed design and the portions illustrated in phantom form no part of the claimed design.

1 Claim, 4 Drawing Sheets



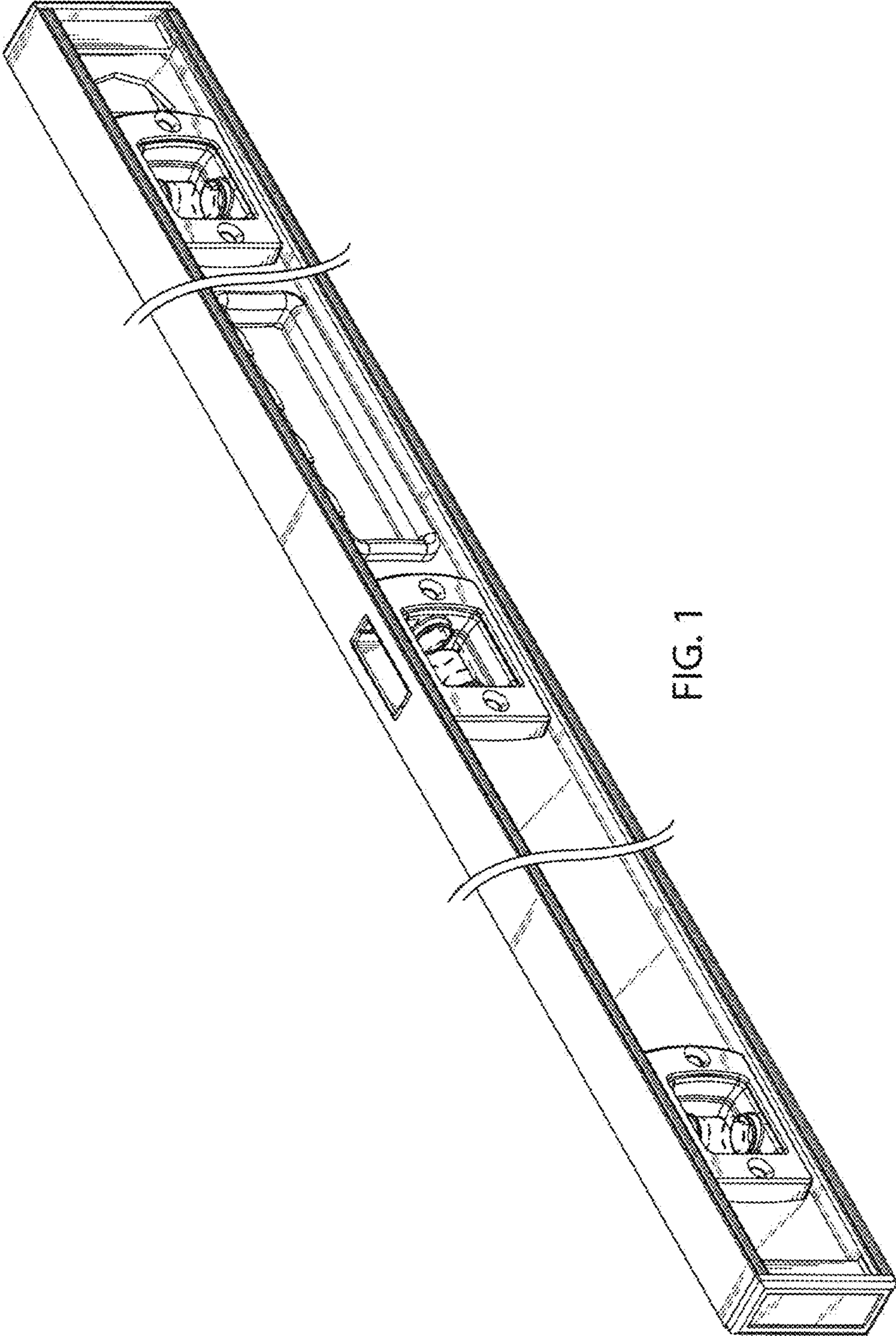


FIG. 1

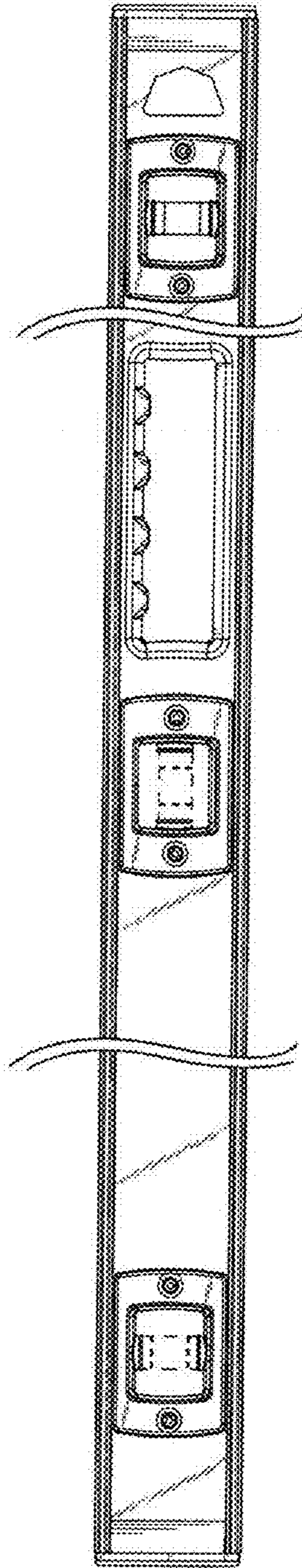


FIG. 2

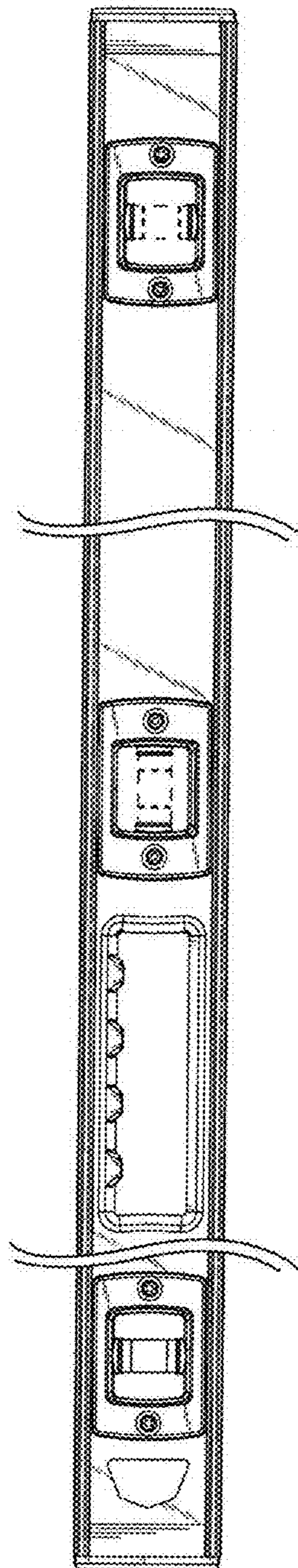


FIG. 3

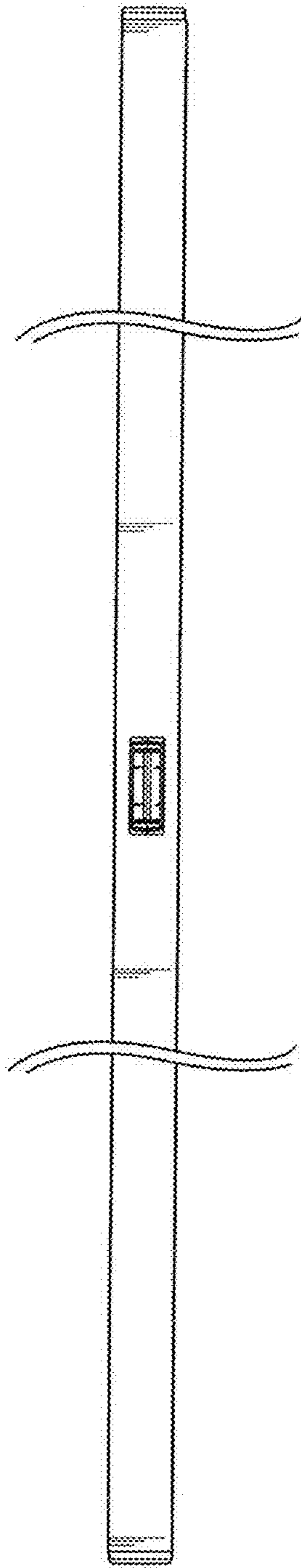


FIG. 4

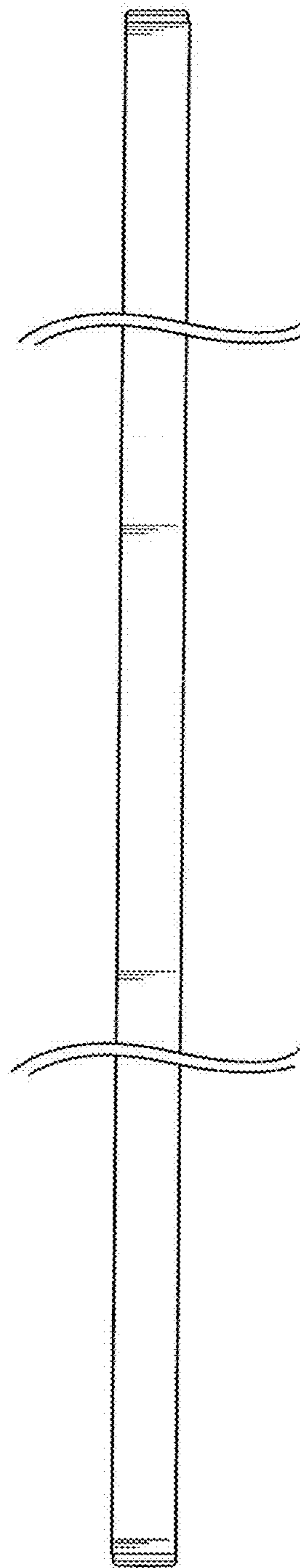


FIG. 5



FIG. 6

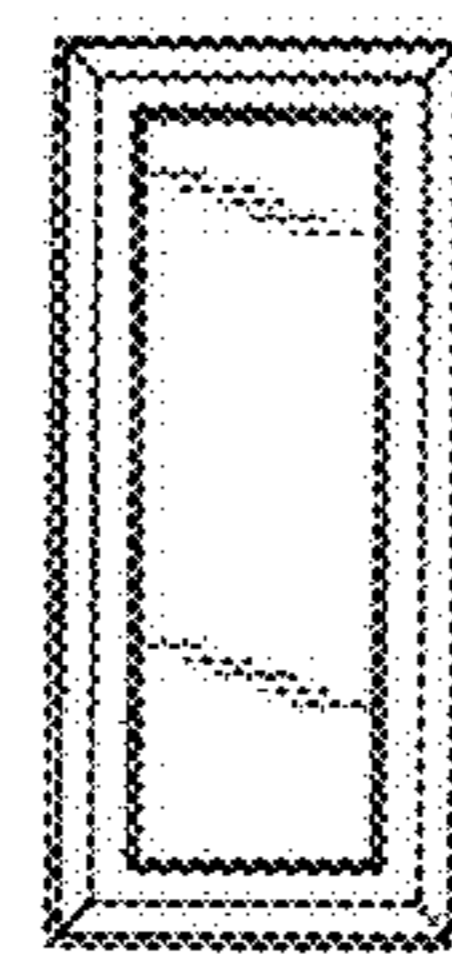


FIG. 7