



US00D750511S

(12) **United States Design Patent**  
**Wojciechowski et al.**

(10) **Patent No.:** **US D750,511 S**  
(45) **Date of Patent:** **\*\* Mar. 1, 2016**

- (54) **BOX BEAM LEVEL**
- (71) Applicant: **Diamond Tech LLC**, Carson City, NV (US)
- (72) Inventors: **Timothy J. Wojciechowski**, Hubertus, WI (US); **William G. Johnson**, Mequon, WI (US); **Robert A. Johnson**, Mequon, WI (US); **John Dwyer**, Waukesha, WI (US)
- (73) Assignee: **Diamond Tech LLC**, Carson City, NV (US)
- (\*\*) Term: **14 Years**
- (21) Appl. No.: **29/513,314**
- (22) Filed: **Dec. 30, 2014**
- (51) **LOC (10) Cl.** ..... **10-04**
- (52) **U.S. Cl.**  
USPC ..... **D10/69**
- (58) **Field of Classification Search**  
USPC ..... D10/69  
CPC ..... G01C 9/24; G01C 9/26; G01C 9/28;  
G01C 9/30; G01C 9/32; G01C 9/34; G01C 9/36  
See application file for complete search history.

- D498,132 S \* 11/2004 Lai ..... D8/334
- D521,399 S 5/2006 Johnson et al.
- D555,523 S 11/2007 Nickel et al.
- D573,908 S \* 7/2008 Levinson ..... D10/69
- D598,308 S \* 8/2009 Gofer ..... D10/69
- D633,400 S 3/2011 Wojciechowski et al.
- D634,221 S 3/2011 Wojciechowski et al.
- D646,594 S \* 10/2011 Allemand ..... D10/69
- D656,425 S 3/2012 Wojciechowski et al.
- 8,925,212 B2 \* 1/2015 Allemand ..... G01C 9/32  
33/348.2
- D735,064 S \* 7/2015 Wojciechowski ..... D10/69

\* cited by examiner

*Primary Examiner* — Antoine D Davis

(74) *Attorney, Agent, or Firm* — Boyle Fredrickson, S.C.

(57) **CLAIM**

The ornamental design of an box beam level, as shown and described.

**DESCRIPTION**

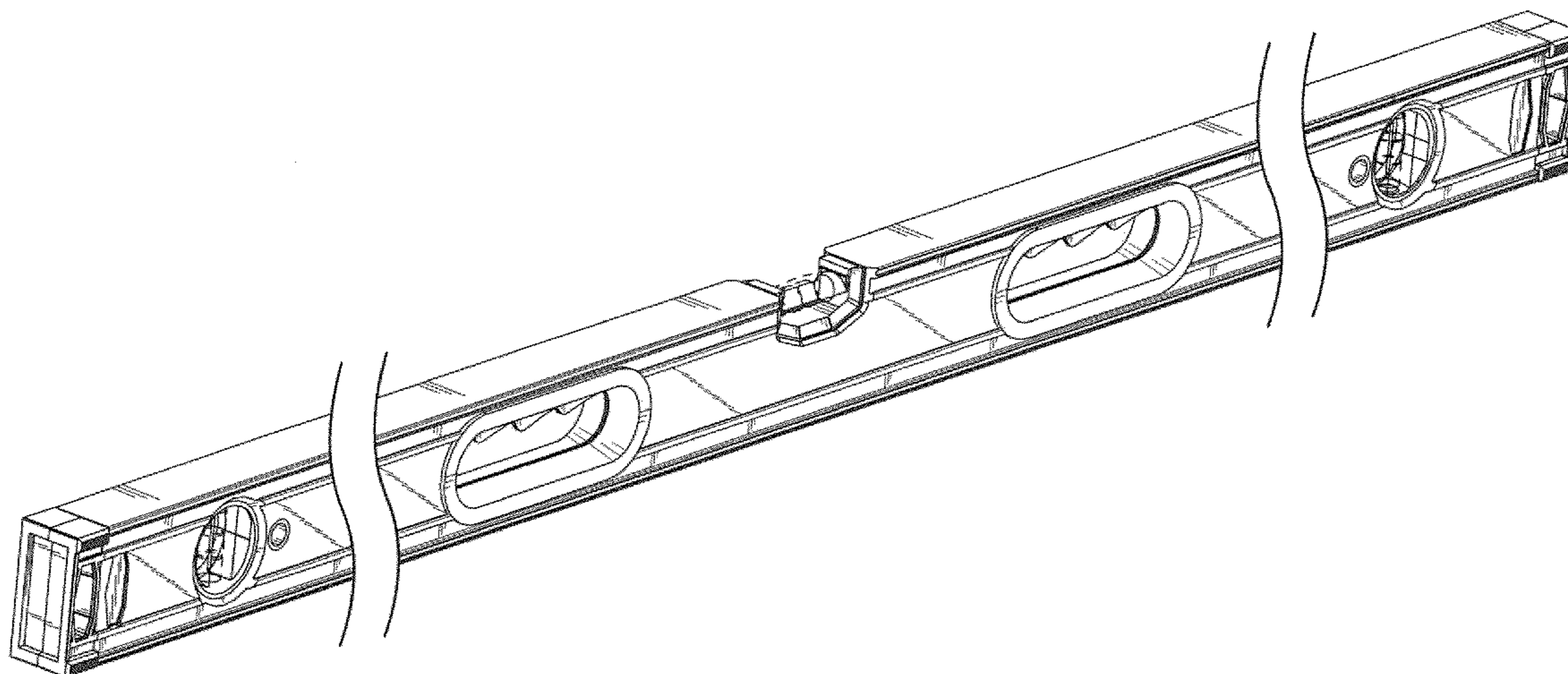
FIG. 1 is an isometric view of a box beam level incorporating our new design;  
 FIG. 2 is a front elevation view thereof;  
 FIG. 3 is a rear elevation view thereof;  
 FIG. 4 is a top plan view thereof;  
 FIG. 5 is a bottom plan view thereof; and,  
 FIGS. 6 and 7 are end elevation views thereof.  
 The article is shown with a symbolic break in its length and width. The appearance of any portion of the article between the break lines forms no part of the claimed design and wherein the portions in phantom form no part of the claimed design.

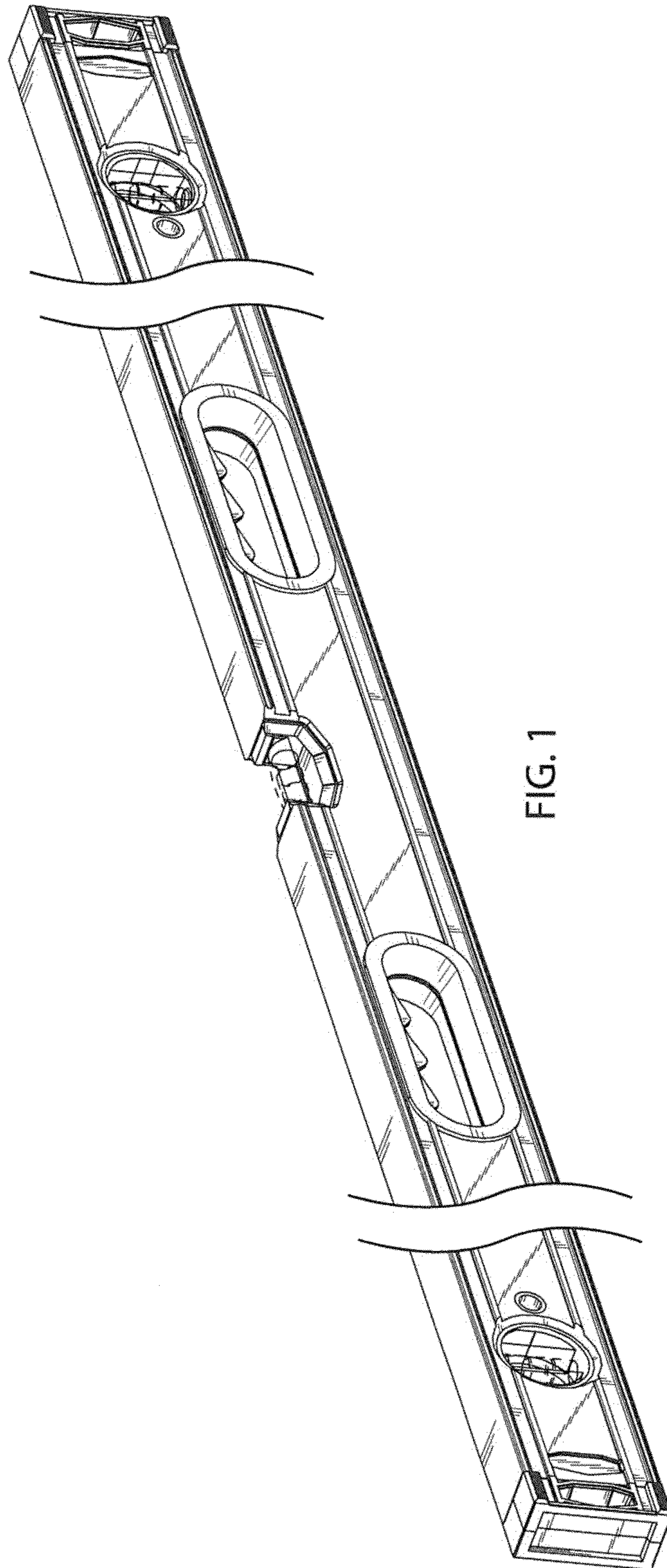
**1 Claim, 4 Drawing Sheets**

(56) **References Cited**

U.S. PATENT DOCUMENTS

- D364,104 S 11/1995 Johnson
- D459,251 S \* 6/2002 Scheyer ..... D10/69
- D469,370 S 1/2003 Gruetzmacher et al.
- D493,737 S 8/2004 Nickel





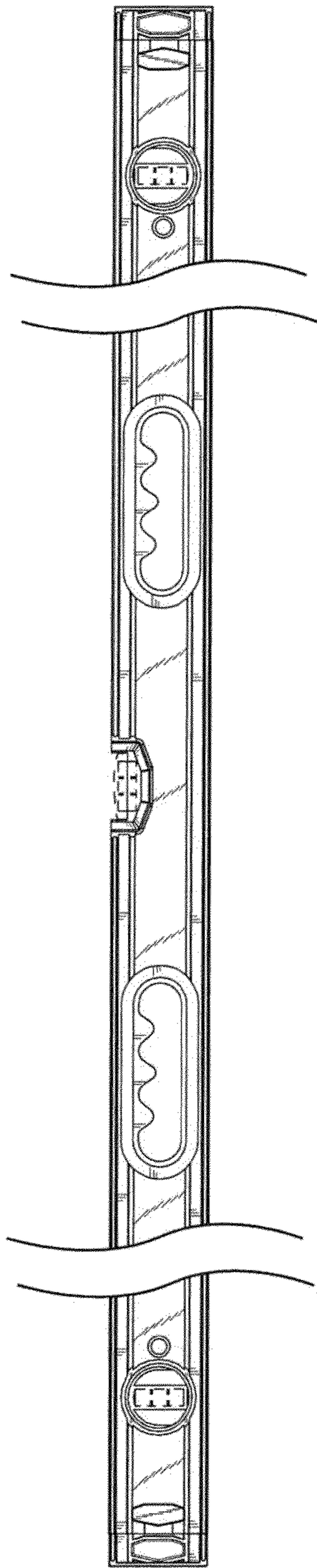


FIG. 2

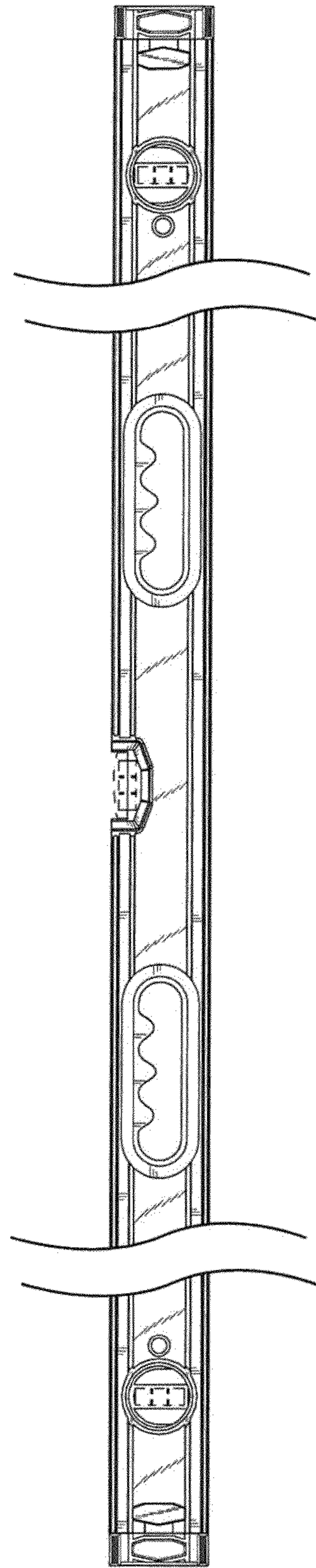


FIG. 3

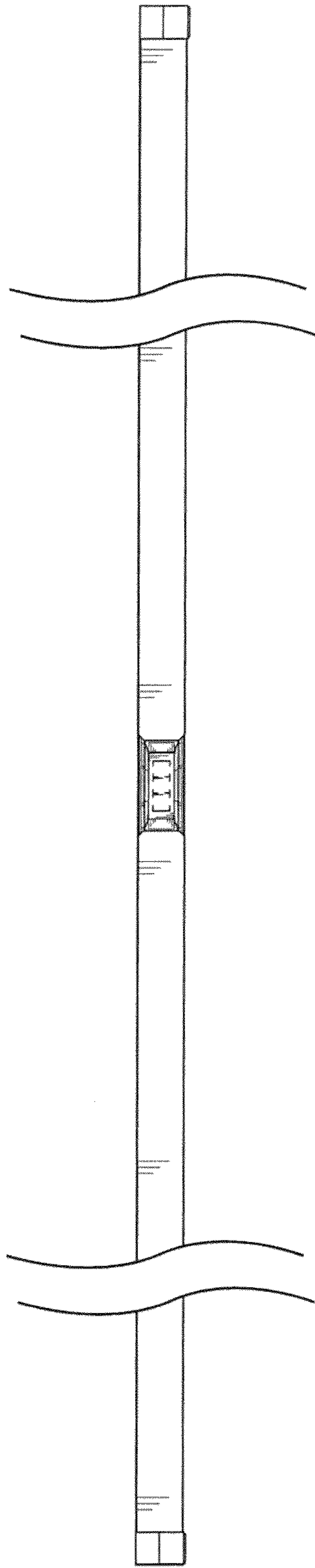


FIG. 4

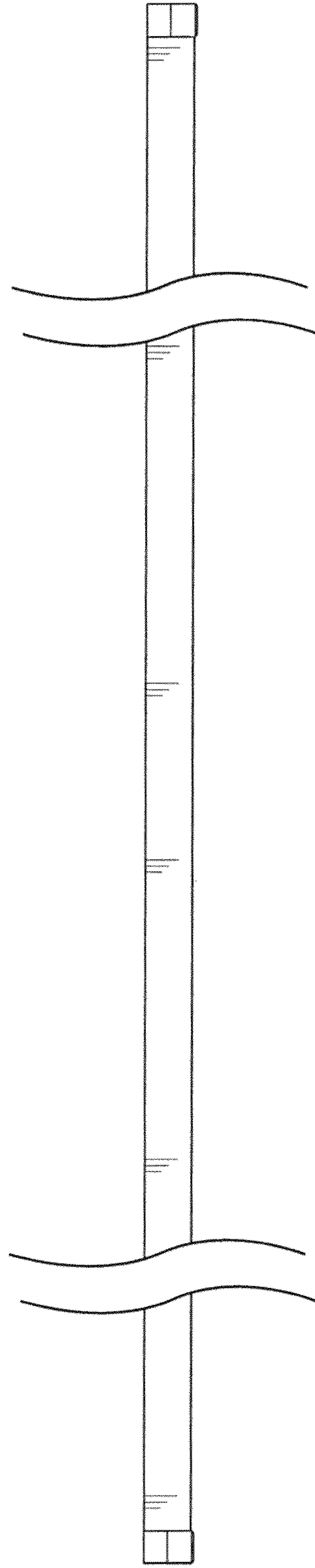


FIG. 5



FIG. 6



FIG. 7