



US00D750510S

(12) **United States Design Patent**  
**Lenz et al.**

(10) **Patent No.:** **US D750,510 S**  
(45) **Date of Patent:** **\*\* Mar. 1, 2016**

(54) **NAVIGATION DEVICE**

(71) Applicant: **Garmin Switzerland GmbH**,  
Schaffhausen (CH)  
(72) Inventors: **Derrick D. Lenz**, Olathe, KS (US);  
**Aaron J. Lindh**, Overland Park, KS  
(US); **Brett J. Kuper**, Spring Hill, KS  
(US)

(73) Assignee: **Garmin Switzerland GmbH** (CH)

(\*\*) Term: **14 Years**

(21) Appl. No.: **29/512,754**

(22) Filed: **Dec. 22, 2014**

(51) **LOC (10) Cl.** ..... **10-04**

(52) **U.S. Cl.**  
USPC ..... **D10/65; D10/70**

(58) **Field of Classification Search**  
USPC ..... D10/65, 70  
CPC ..... G08G 1/096883; G08G 1/096872;  
G08G 1/096775; G01C 21/16; G01C 21/3688;  
G01C 21/30; G01V 8/20; G01J 5/02; G01J  
5/023; G01J 5/24; G01J 5/10; G01J 5/20;  
G01J 5/0235; G01J 5/08; G01J 5/0853;  
G01J 5/33; G01J 5/34

See application file for complete search history.

(56) **References Cited**

**U.S. PATENT DOCUMENTS**

D648,234 S 11/2011 Lenz et al. .... D10/65  
D677,181 S \* 3/2013 Lenz ..... D10/65  
D693,705 S 11/2013 Stevens et al. .... D10/65

**OTHER PUBLICATIONS**

Printout from <http://www.engadget.com/2008/10/16/iriver-spinn-re-view/>; published prior to Dec. 22, 2014.

Printout from <http://techcrunch.com/2011/07/05/the-iriver-p8-mp-reminds-us-that-iriver-is-still-in-business/>; published prior to Dec. 22, 2014.

Printout from <http://www.navman.com.au/car-gps-devices/previous-products/S50/Overview/>; published prior to Dec. 22, 2014.

Printout from <http://www.engadget.com/2014/01/06/magellan-roadmate-gps-with-dash-cam/>; published prior to Dec. 22, 2014.

Printout from <http://www.amazon.com/Dual-Recorder-resolution-recorder-Securitycameradirect/dp/B00BZY3NQL>; published prior to Dec. 22, 2014.

Printout from <http://www.cnet.com/products/lenovo-yoga-tablet-10-hd-plus/> published prior to Dec. 22, 2014.

Garmin HUD Owner's Manual, published Jun. 2013.

\* cited by examiner

*Primary Examiner* — Antoine D Davis

(74) *Attorney, Agent, or Firm* — Samuel M. Korte; Maxwell M. Ali

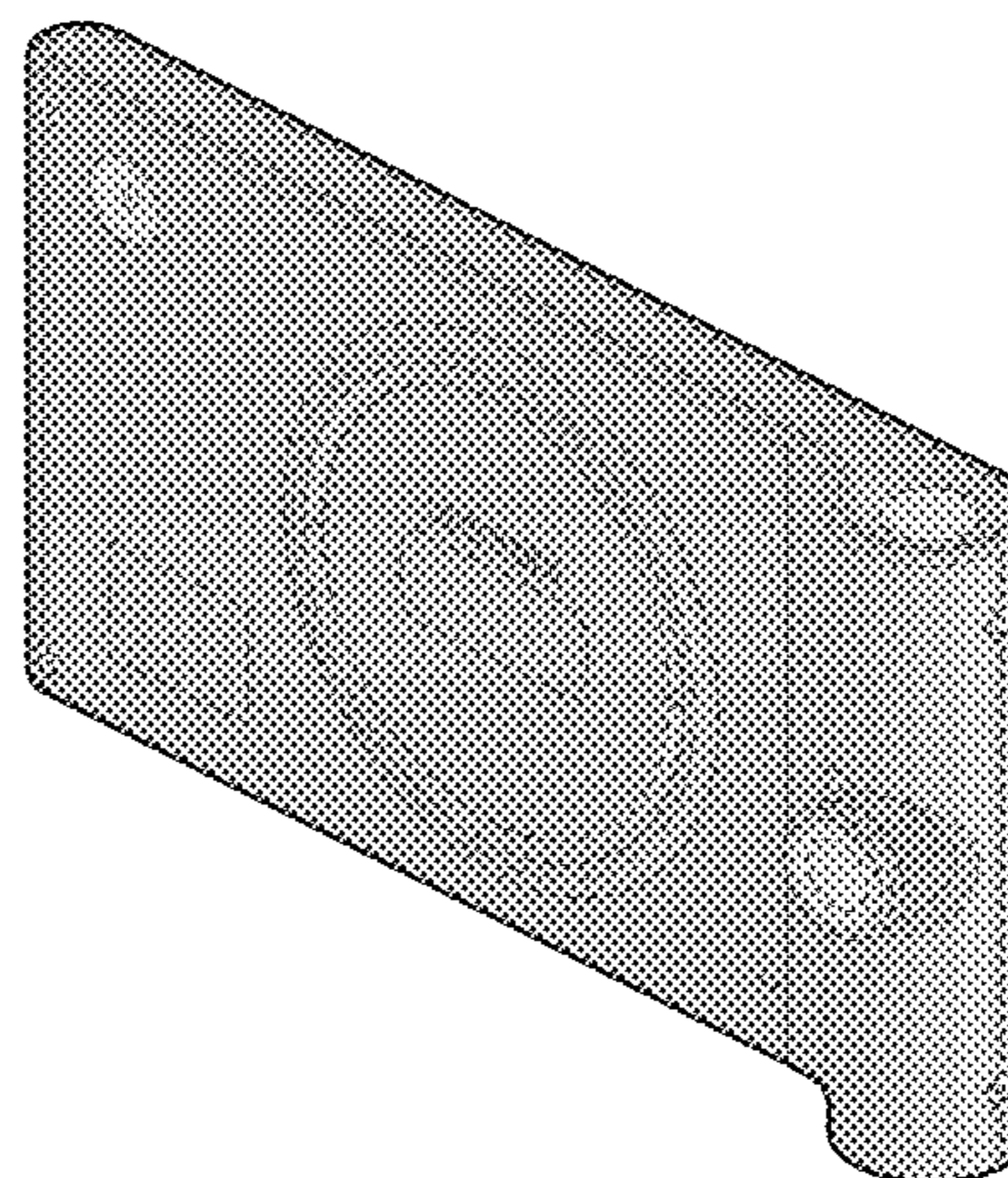
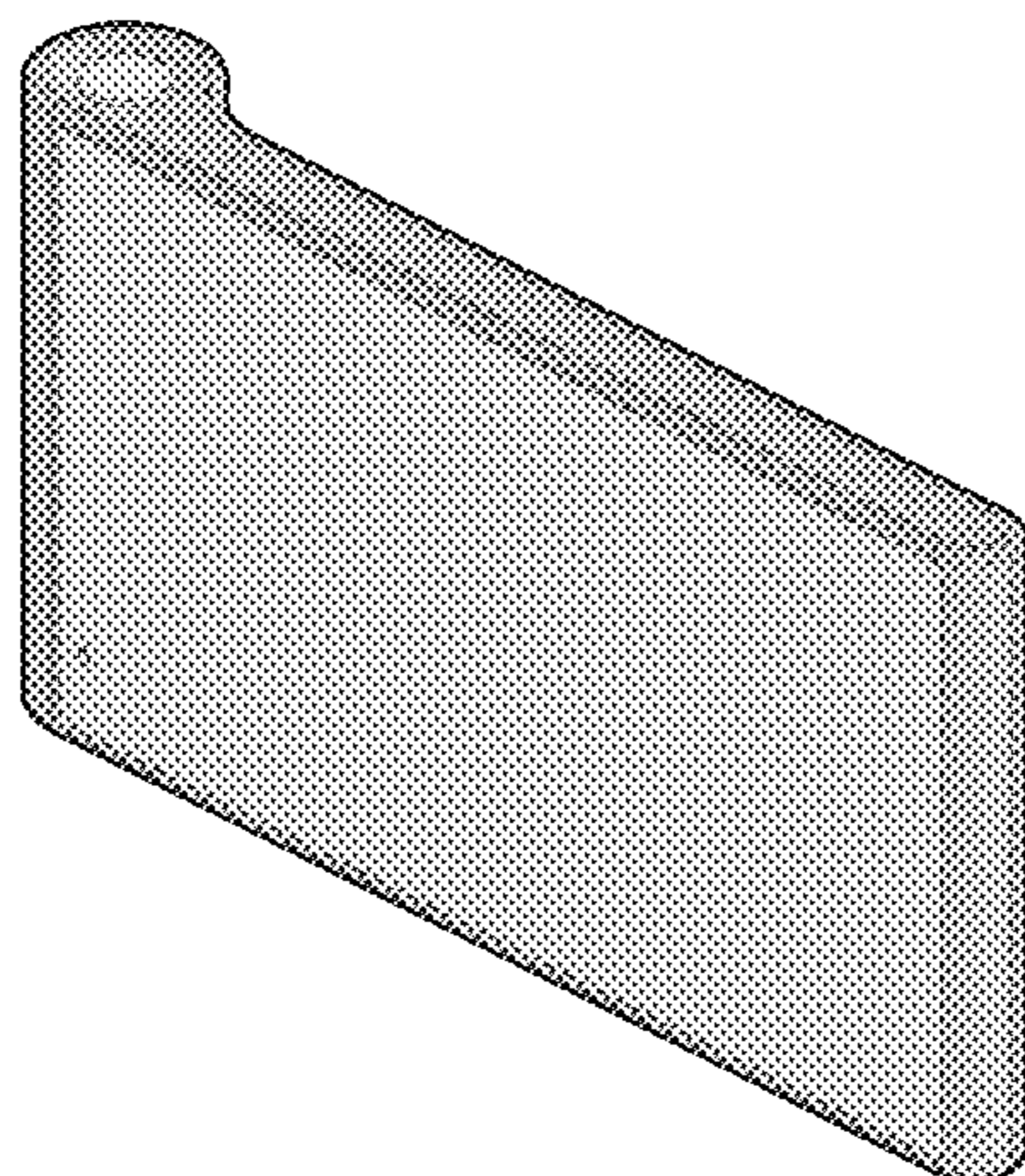
(57) **CLAIM**

The ornamental design for a navigation device, as shown and described.

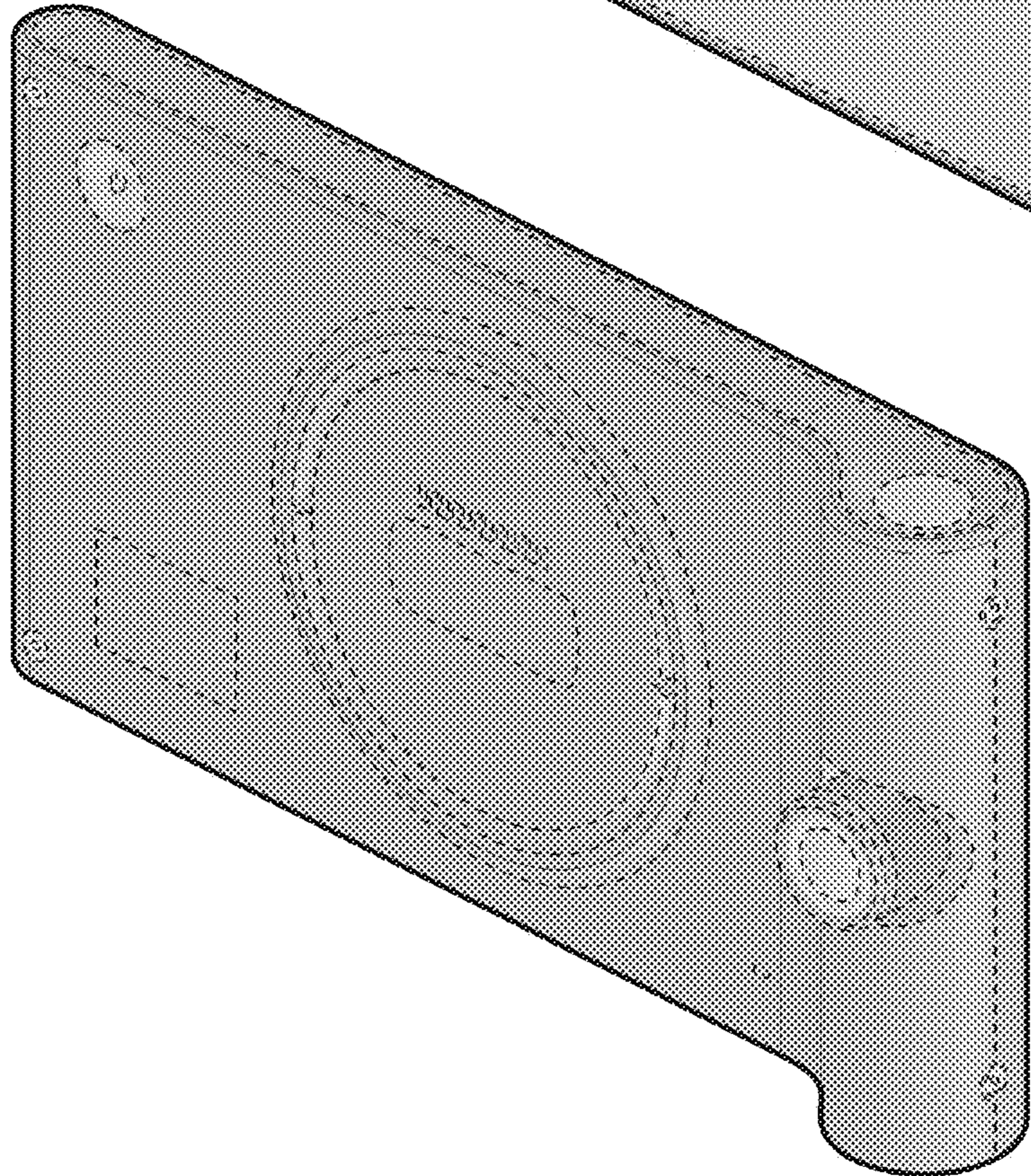
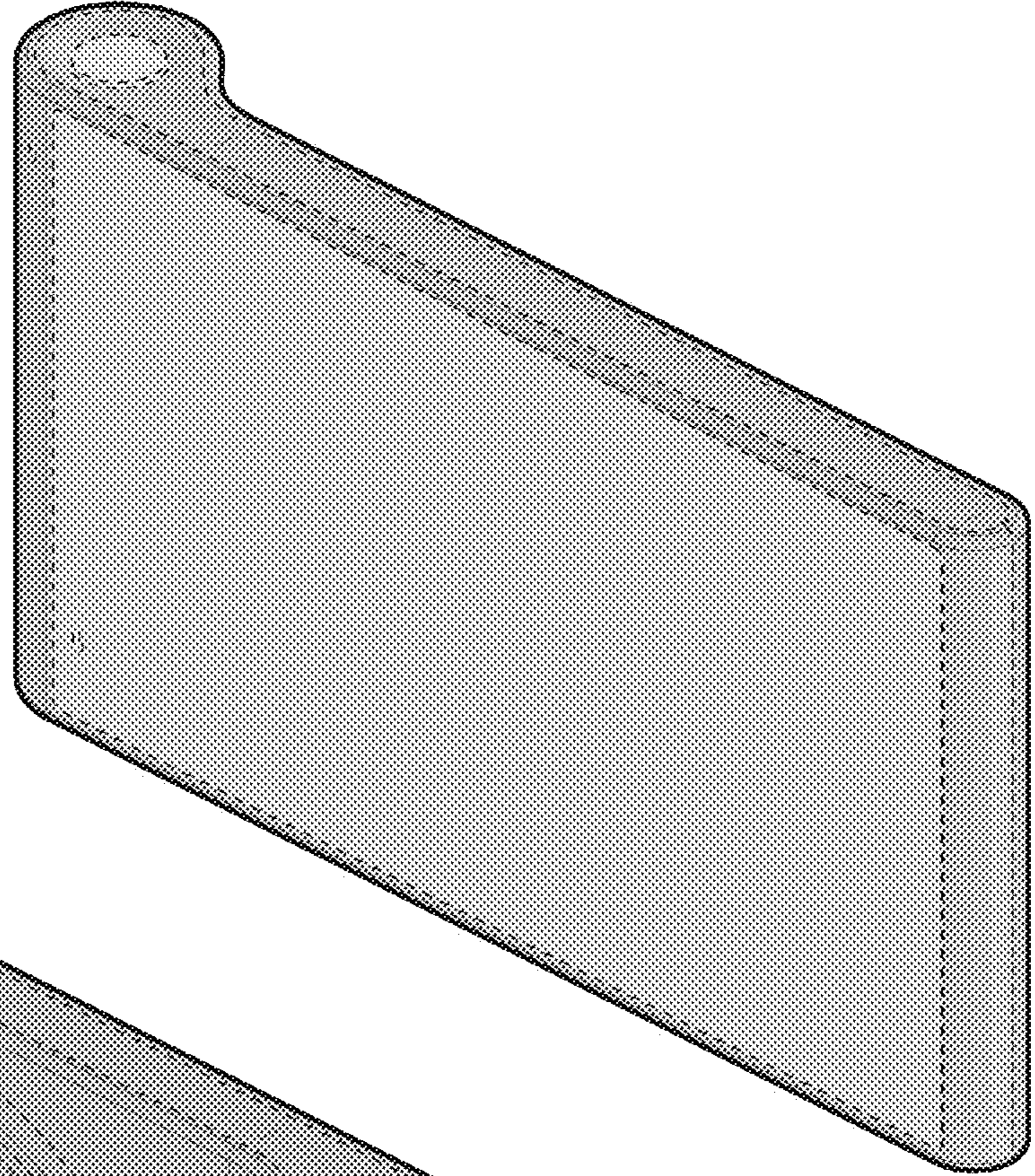
**DESCRIPTION**

FIG. 1 is a front perspective view of a navigation device according to embodiments of the present invention; FIG. 2 is a rear perspective view of the navigation device; FIG. 3 is a top view of the navigation device; FIG. 4 is a front view of the navigation device; FIG. 5 is a bottom view of the navigation device; FIG. 6 is a rear view of the navigation device; FIG. 7 is a left side view of the navigation device; and, FIG. 8 is a right side view of the navigation device. Portions of FIGS. 1 through 8 are shown in dashed lines for illustrative purposes only and form no part of the claimed design.

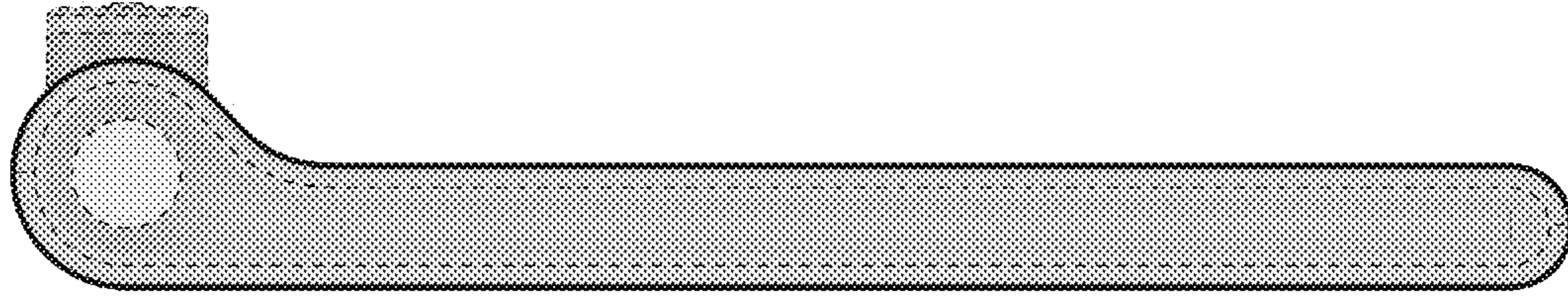
**1 Claim, 3 Drawing Sheets**



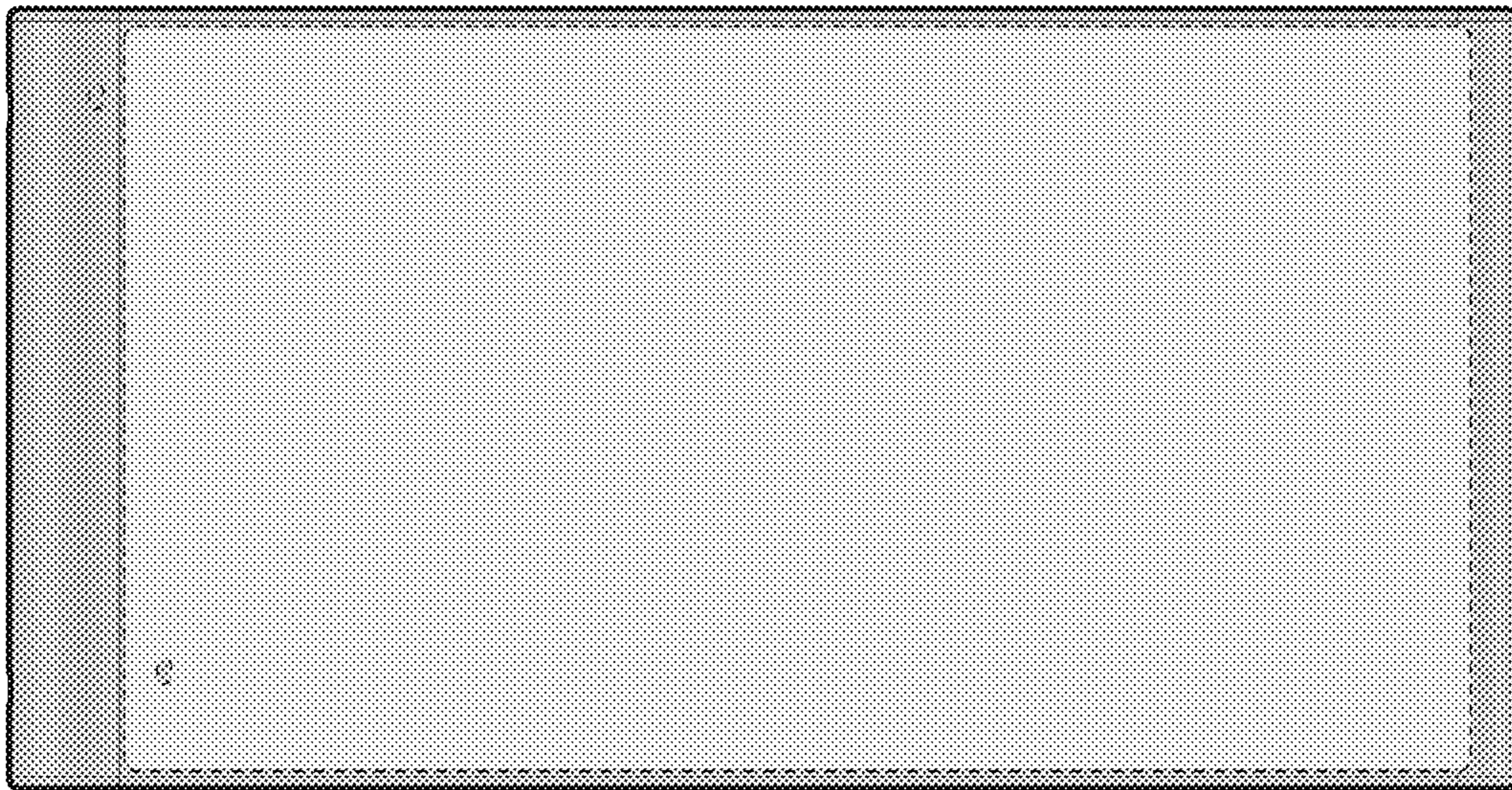
*Fig. 1*



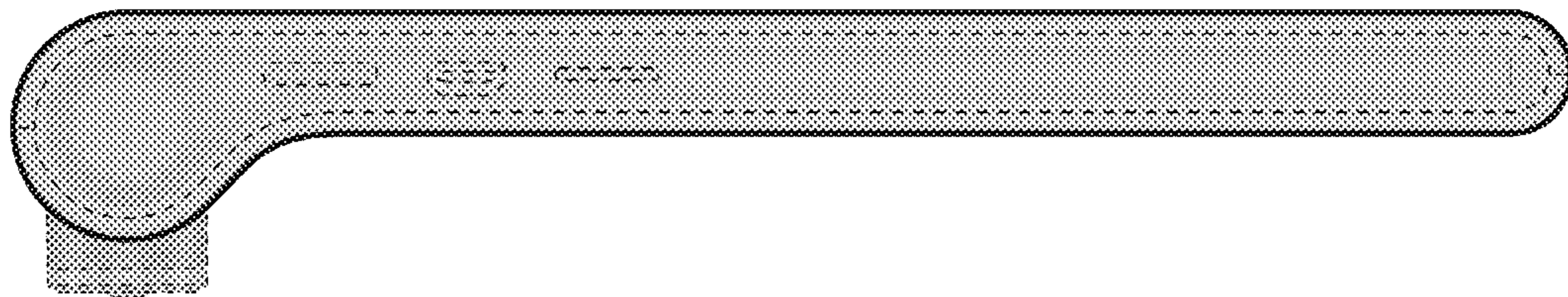
*Fig. 2*



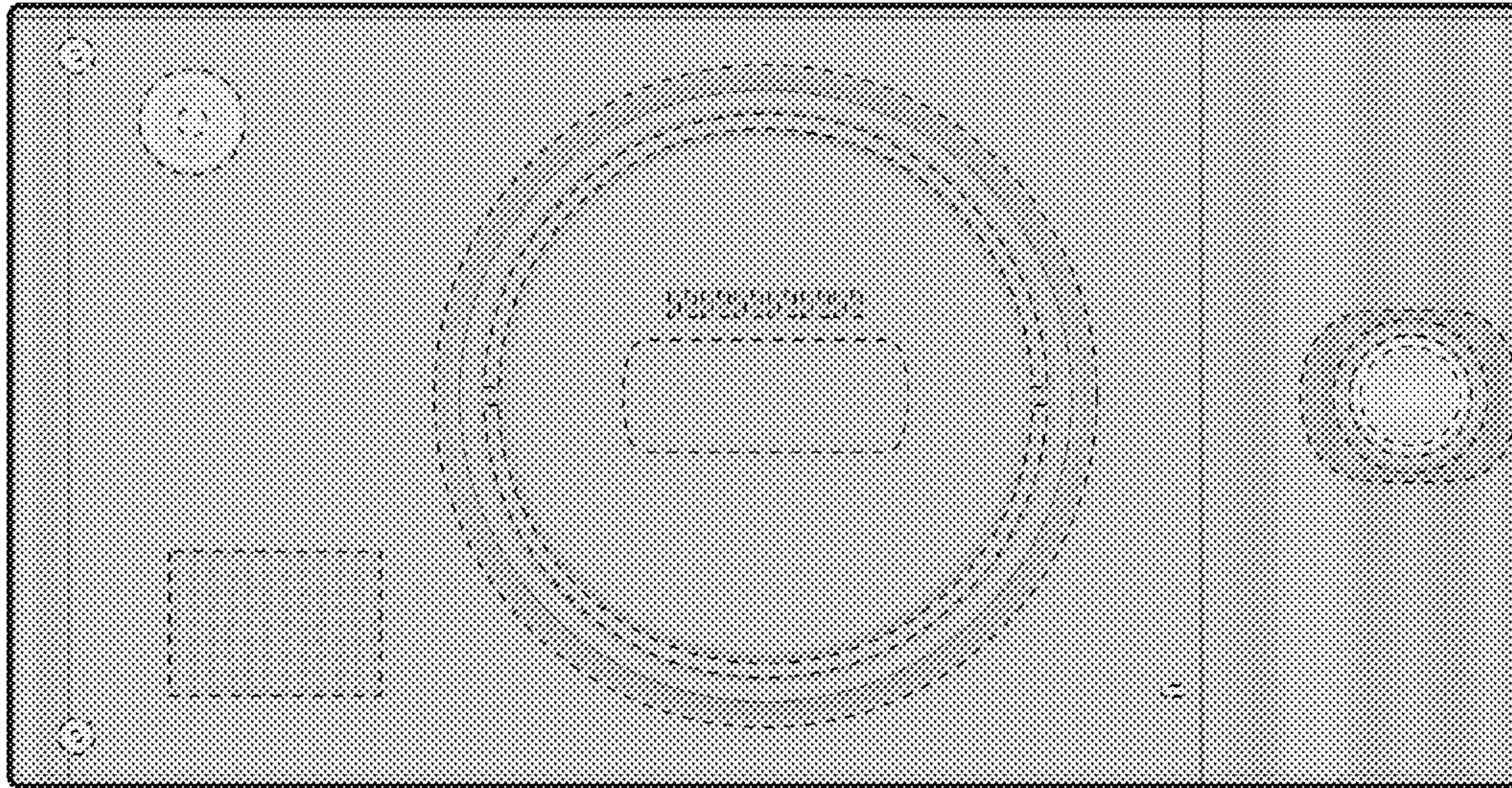
*Fig. 3*



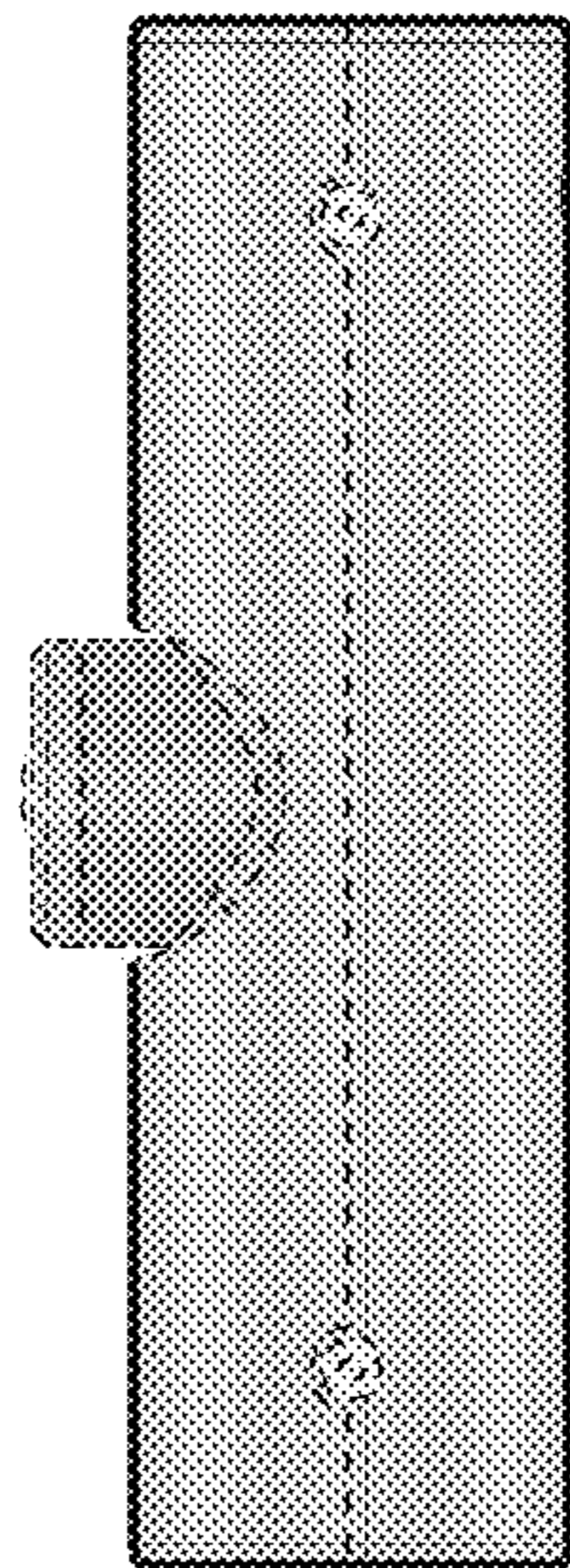
*Fig. 4*



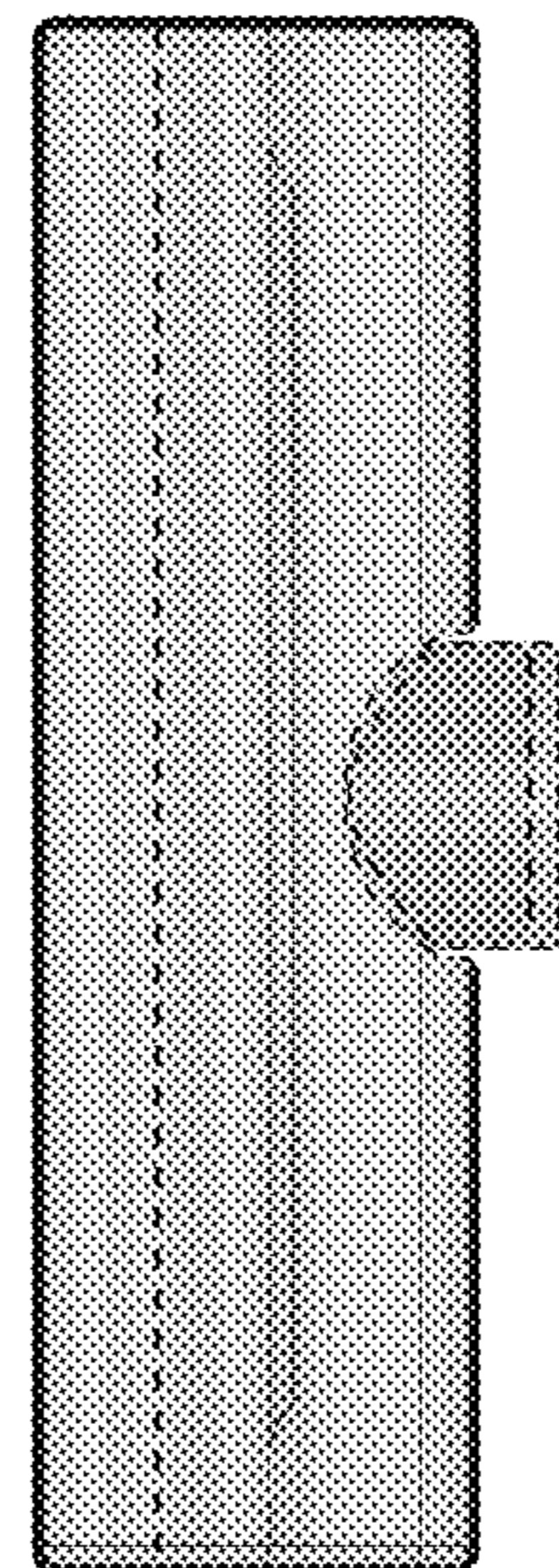
*Fig. 5*



*Fig. 6*



*Fig. 7*



*Fig. 8*