



US00D750508S

(12) **United States Design Patent**
Bowman et al.

(10) **Patent No.:** **US D750,508 S**
(45) **Date of Patent:** **** Mar. 1, 2016**

(54) **ELECTRONIC DEVICE**

(71) Applicant: **Garmin Switzerland GmbH**,
Schaffhausen (CH)

(72) Inventors: **Marcos J. Bowman**, Overland Park, KS
(US); **Mark B. Emge**, Olathe, KS (US);
Jonathan K. Ferlas, Prairie Village, KS
(US); **Yao-Chia Chang**, New Taipei
(TW); **John R. Tines**, Olathe, KS (US)

(73) Assignee: **Garmin Switzerland GmbH** (CH)

(**) Term: **14 Years**

(21) Appl. No.: **29/507,632**

(22) Filed: **Oct. 29, 2014**

(51) **LOC (10) Cl.** **10-04**

(52) **U.S. Cl.**
USPC **D10/65; D10/70**

(58) **Field of Classification Search**
USPC D10/65, 70
CPC G01C 21/20; G01C 21/203; G01S 15/88;
G01S 15/96; G01S 15/025; G01S 7/521;
G01S 7/526; G01S 7/527; G01S 7/5273;
G01S 7/5276; G01S 7/529; G01S 7/53;
G01S 7/531; G01S 7/533; G01S 7/56; G01S
7/58; G01S 7/60

See application file for complete search history.

(56) **References Cited**

U.S. PATENT DOCUMENTS

4,873,676	A *	10/1989	Bailey et al.	367/98
D314,346	S *	2/1991	Mann	D10/46
5,132,588	A *	7/1992	Warman	313/479
D389,757	S *	1/1998	Nishimura et al.	D10/65
D394,223	S *	5/1998	Nishimura et al.	D10/104.1
D398,546	S *	9/1998	Nishimura et al.	D10/46
D467,512	S *	12/2002	Miyazaki	D10/65
D517,932	S *	3/2006	Lum	D10/65

D531,068	S *	10/2006	Fan	D10/65
D565,977	S *	4/2008	Ross et al.	D10/65
D617,220	S *	6/2010	Emge et al.	D10/65
D698,671	S *	2/2014	Takahara et al.	D10/65
D726,561	S *	4/2015	Endo et al.	D10/74
D733,594	S *	7/2015	Bowman et al.	D10/70
D736,106	S *	8/2015	Bowman et al.	D10/70
2010/0242827	A1 *	9/2010	Rodriguez et al.	114/343
2011/0082644	A1 *	4/2011	Imasaka et al.	701/217

OTHER PUBLICATIONS

Printout from <http://www.lowrance.com/en-US/Products/Fishfinder-Chartplotter/HDS5-en-us.aspx> published prior to Oct. 29, 2014.

Printout from <http://www.lowrance.com/en-US/Products/Fishfinder-Chartplotter/HDS7-en-us.aspx> published prior to Oct. 29, 2014.

(Continued)

Primary Examiner — Antoine D Davis

(74) *Attorney, Agent, or Firm* — Samuel M. Korte; Maxwell M. Ali

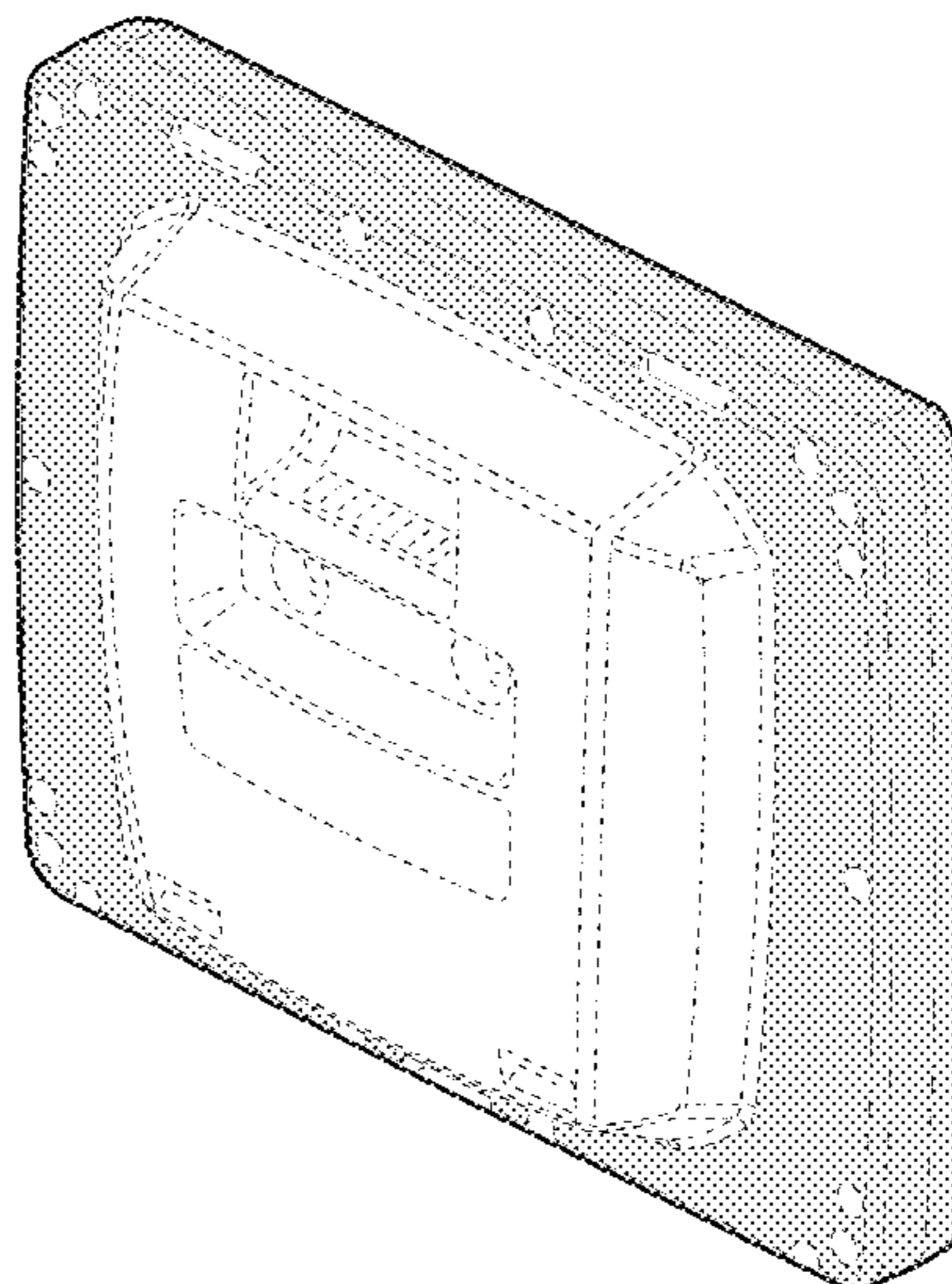
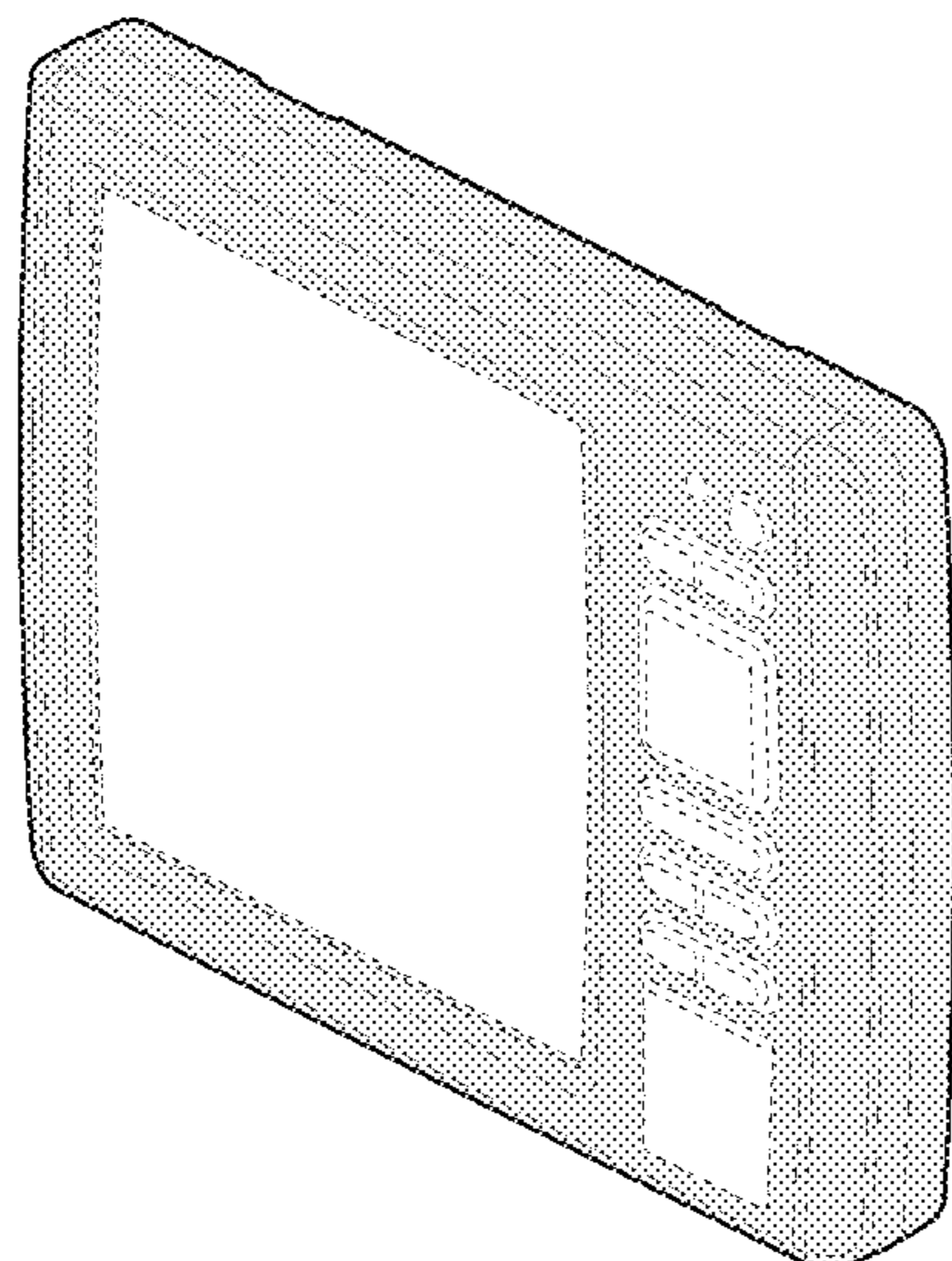
(57) **CLAIM**

The ornamental design for an electronic device, as shown and described.

DESCRIPTION

FIG. 1 is a front perspective view of an electronic device according to embodiments of the present invention; FIG. 2 is a rear perspective view of the electronic device; FIG. 3 is a top view of the electronic device; FIG. 4 is a front view of the electronic device; FIG. 5 is a bottom view of the electronic device; FIG. 6 is a rear view of the electronic device; FIG. 7 is a left side view of the electronic device; and, FIG. 8 is a right side view of the electronic device. Portions of FIGS. 1 through 8 are shown in dashed lines for illustrative purposes only and form no part of the claimed design.

1 Claim, 5 Drawing Sheets



(56)

References Cited

OTHER PUBLICATIONS

Printout from <http://www.lowrance.com/en-US/Products/Fishfinder/Elite-7x-HDI-en-us.aspx> published prior to Oct. 29, 2014.
Printout from <http://www.lowrance.com/en-US/Products/Fishfinder/Mark5x-en-us.aspx> published prior to Oct. 29, 2014.
Printout from <http://www.lowrance.com/en-US/Products/Fishfinder-Chartplotter/Elite5-HDI-en-us.aspx> published prior to Oct. 29, 2014.

Printout from <http://www.humminbird.com/Products/999ci-HD-SI-Combo/> published prior to Oct. 29, 2014.

Printout from <http://www.humminbird.com/Products/899ci-HD-SI-Combo/> published prior to Oct. 29, 2014.

Printout from <http://www.humminbird.com/Products/698ci-HD-SI-Combo/> published prior to Oct. 29, 2014.

Printout from <http://www.raymarine.com/view/?id=6855> published prior to Oct. 29, 2014.

* cited by examiner

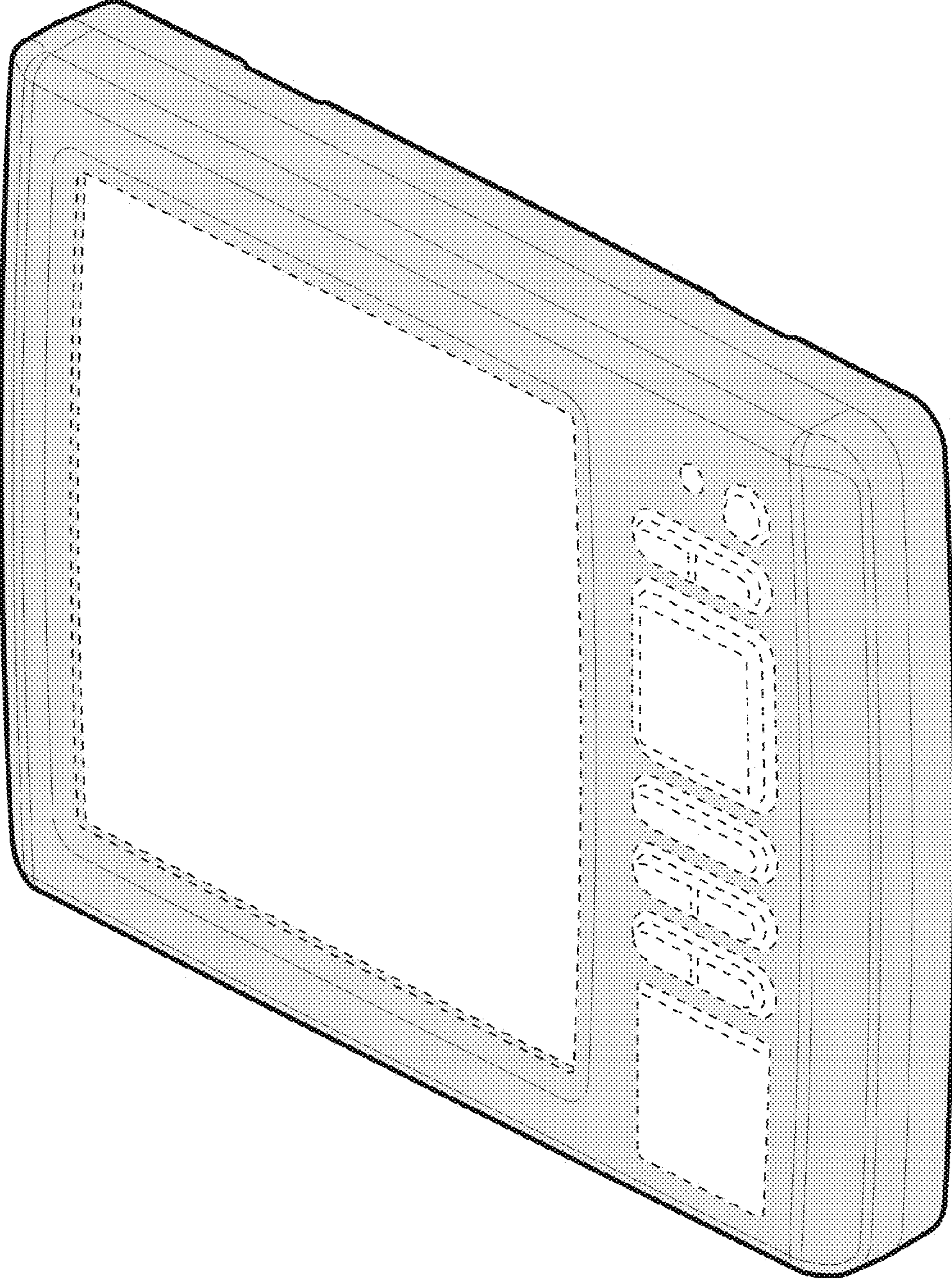


Fig. 1

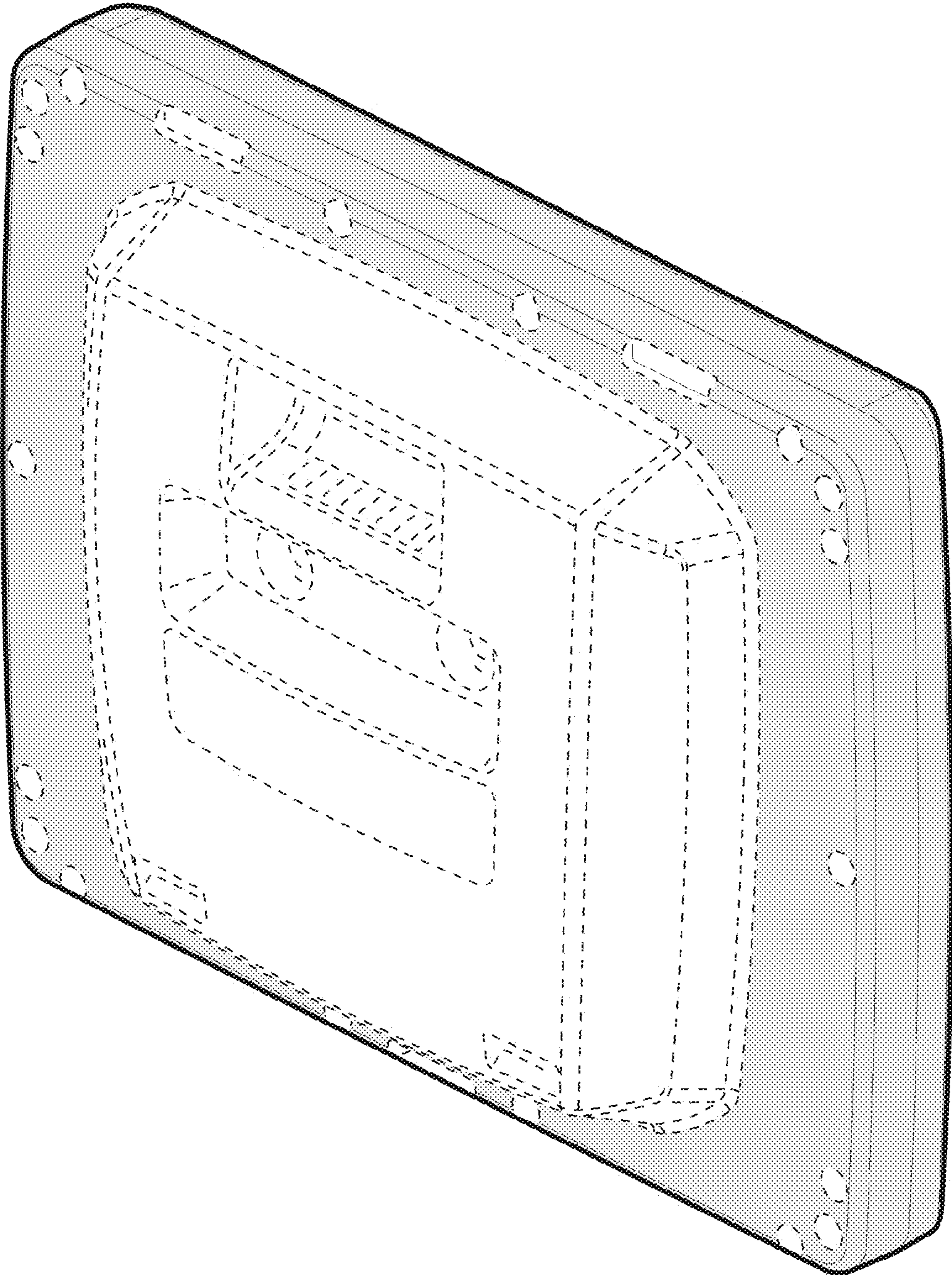


Fig. 2

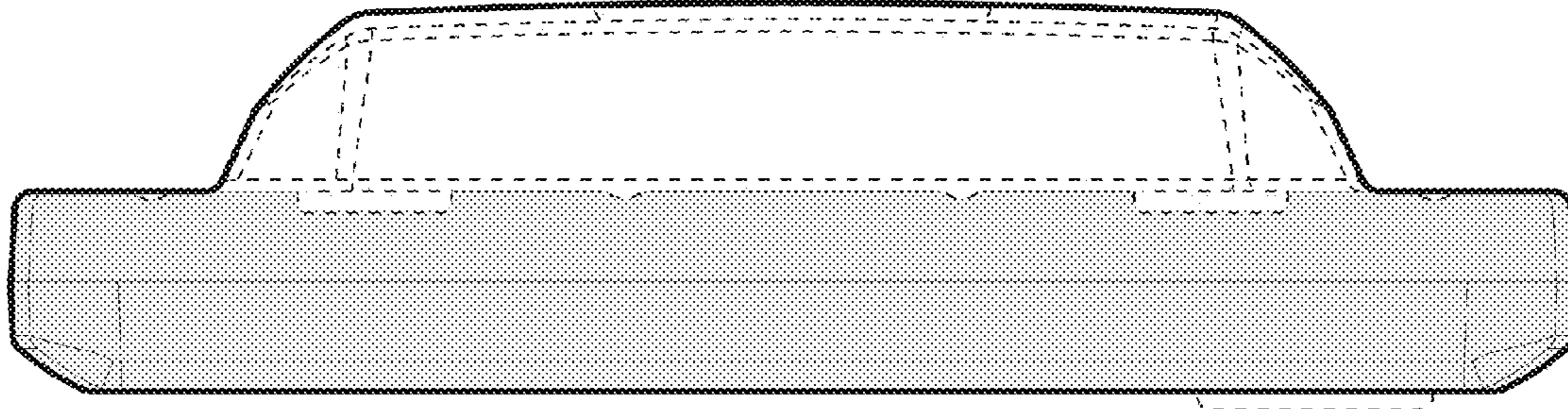


Fig. 3

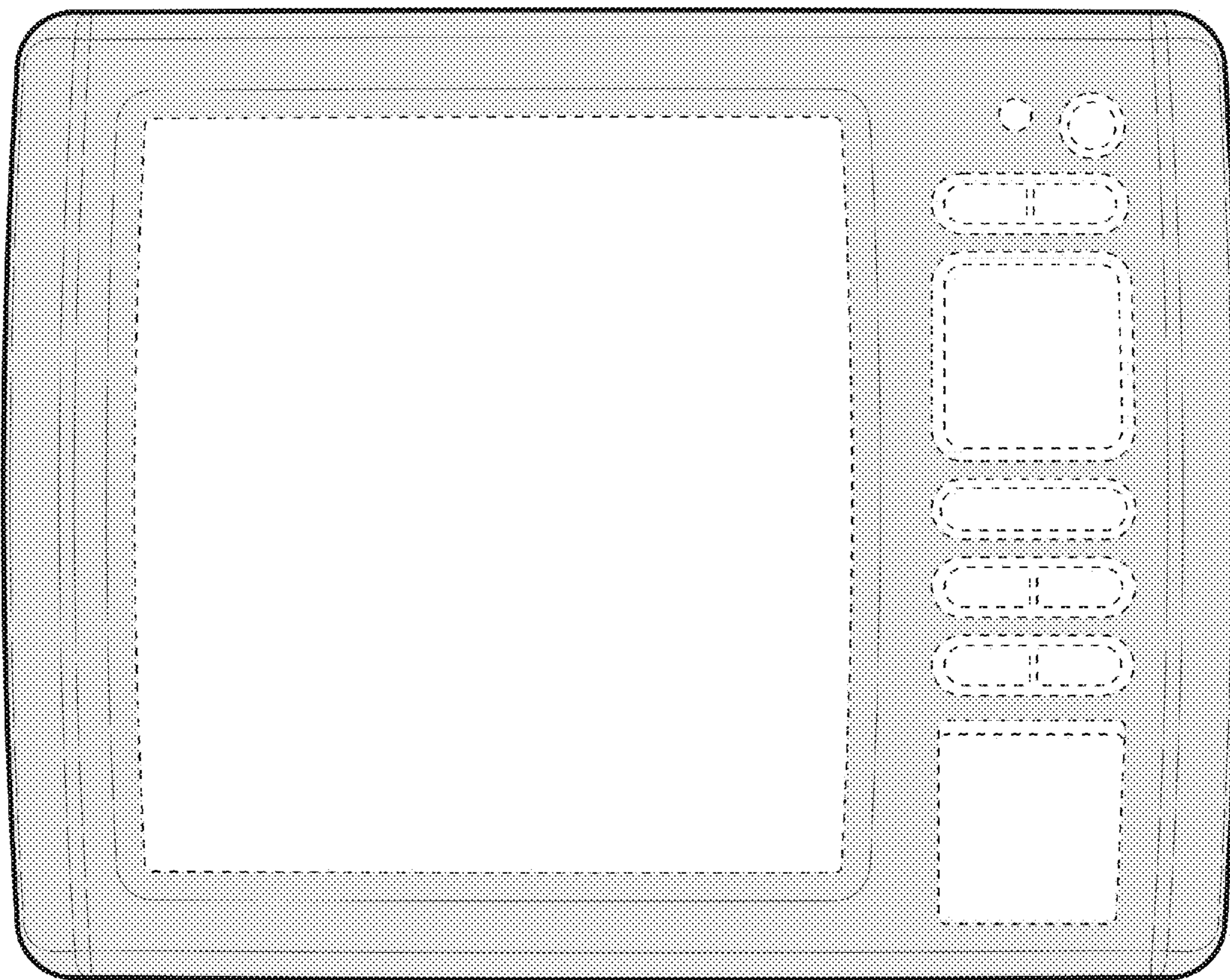


Fig. 4

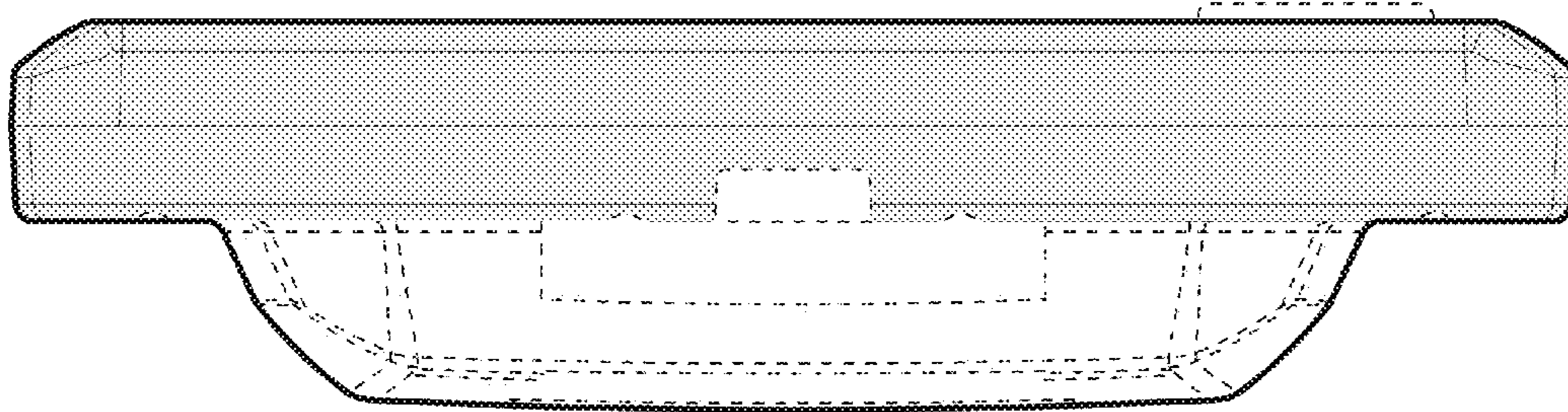


Fig. 5

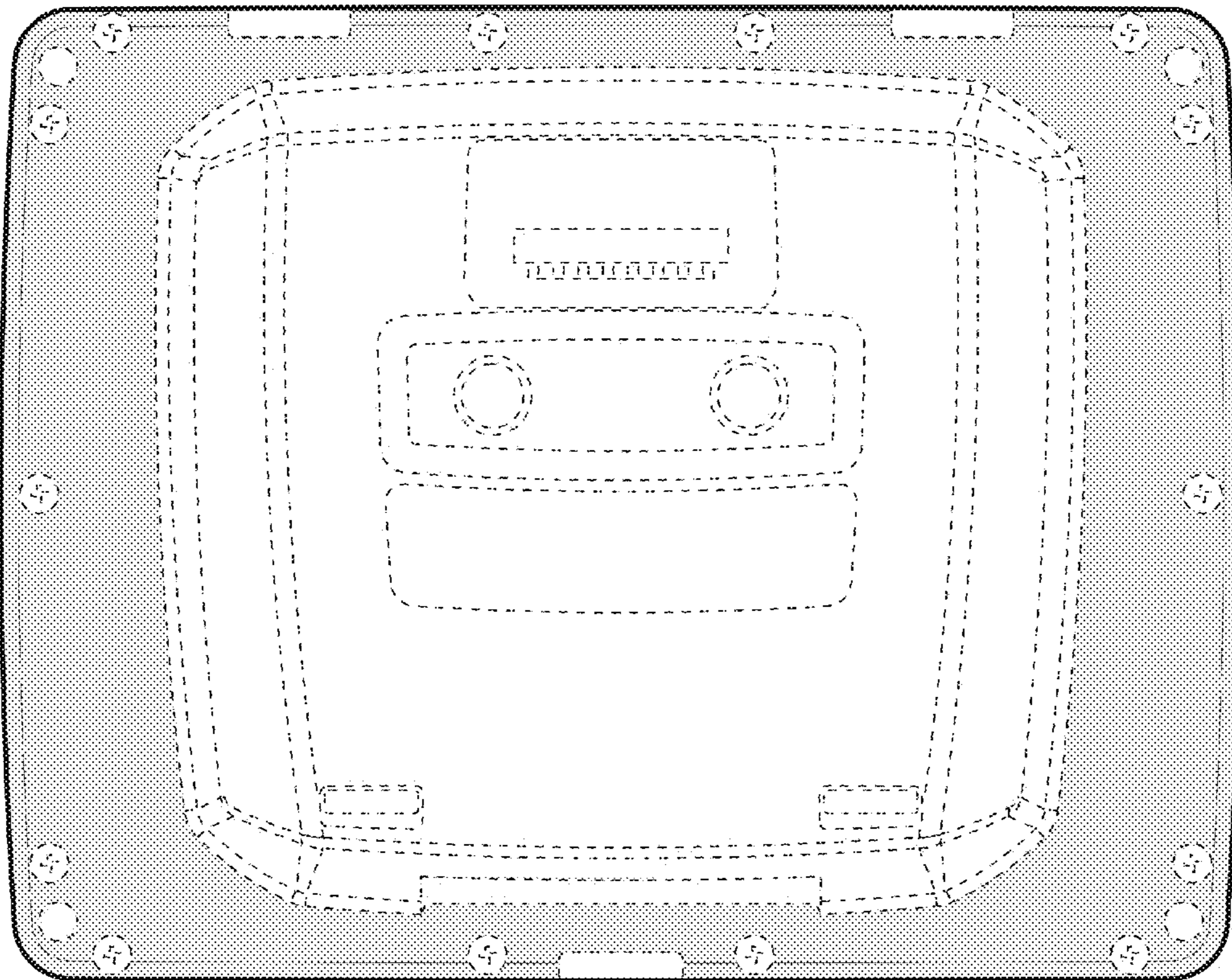


Fig. 6

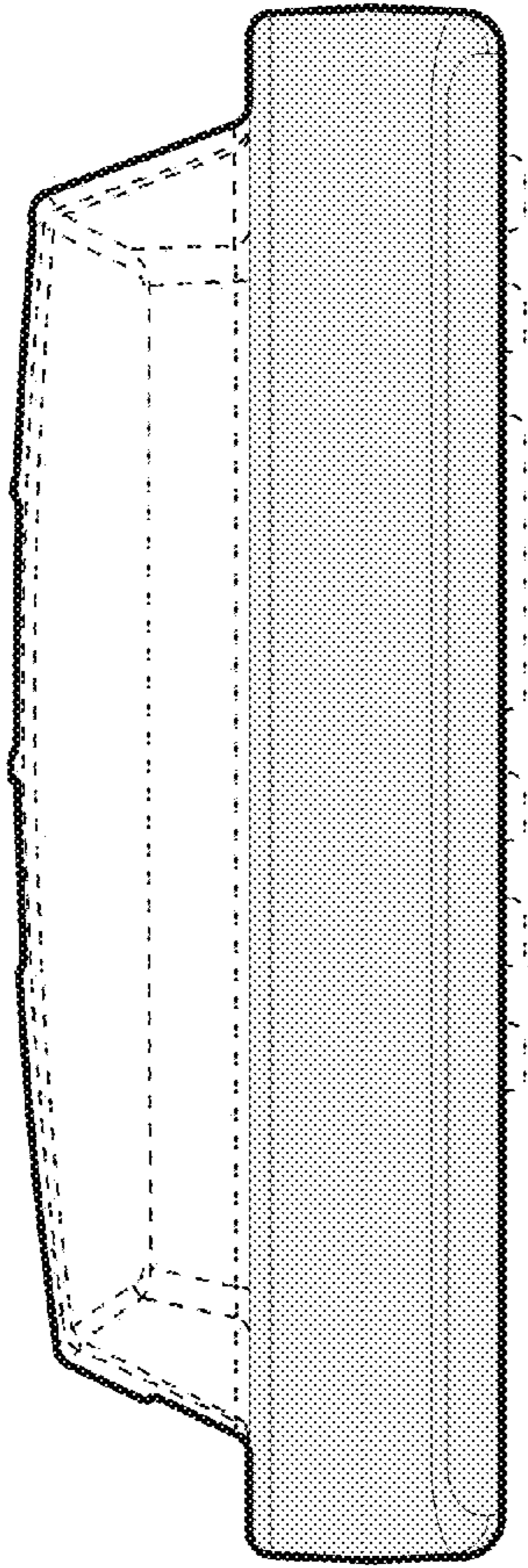


Fig. 7

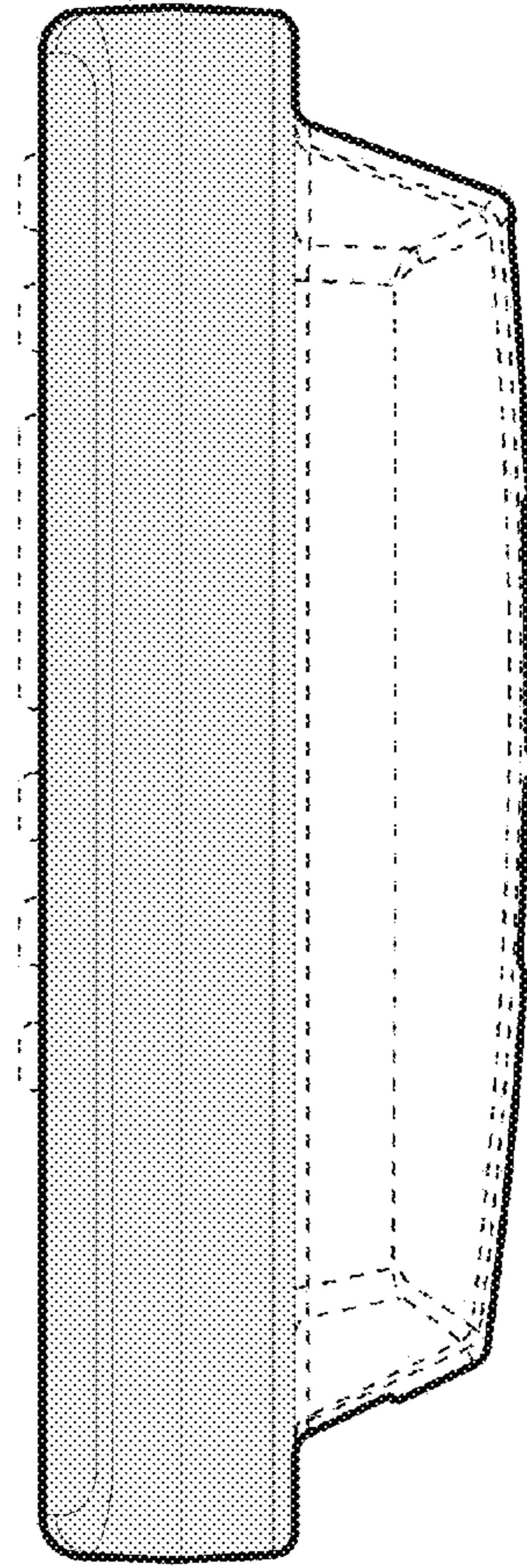


Fig. 8