

US00D750507S

(12) **United States Design Patent**
Ross, Jr.

(10) **Patent No.:** **US D750,507 S**
(45) **Date of Patent:** **** Mar. 1, 2016**

- (54) **REMOTE READY TEMPERATURE GAUGE**
- (71) Applicant: **Texas LFP, LLC**, Dallas, TX (US)
- (72) Inventor: **Herbert G. Ross, Jr.**, Argyle, TX (US)
- (73) Assignee: **Texas LFP, LLC**, Dallas, TX (US)
- (**) Term: **15 Years**
- (21) Appl. No.: **29/534,674**
- (22) Filed: **Jul. 30, 2015**
- (51) **LOC (10) Cl.** **10-04**
- (52) **U.S. Cl.**
USPC **D10/60; D10/102; D10/103**
- (58) **Field of Classification Search**
USPC **D10/57, 60, 96, 101, 102, 103**
CPC **G01L 19/16; G01L 13/00; G01L 13/02;**
G01L 13/04; G01L 13/06; G01L 13/08;
G01L 13/10; G01L 13/12; G01L 13/14;
G01L 13/16; G01L 13/18; G01L 13/20;
G01L 13/22; G01L 13/24; G01L 13/26;
G01L 13/265; G01L 13/28; G01L 11/24
See application file for complete search history.

D664,051	S	*	7/2012	High	D10/57
D664,052	S	*	7/2012	High	D10/57
D671,022	S	*	11/2012	Hoffman et al.	D10/85
D706,661	S	*	6/2014	Boyer	D10/102
2008/0000410	A1	*	1/2008	Mori et al.	116/62.4

OTHER PUBLICATIONS

Rochester Gauges, Inc., "R3D Magneto-resistive Modules" DS-1781 Brochure, Jun. 30, 2015.
 Rochester Gauges, Inc., "Hall Effect TwinSite (R) for Refrigerant Liquid Level Gauges" TS015 Brochure, Jun. 24, 2015.
 Tel-Tru (R) Manufacturing Company, "Bimetal Thermometers" Brochure, 2012.

* cited by examiner

Primary Examiner — Antoine D Davis
 (74) *Attorney, Agent, or Firm* — Alvin R. Wirthlin

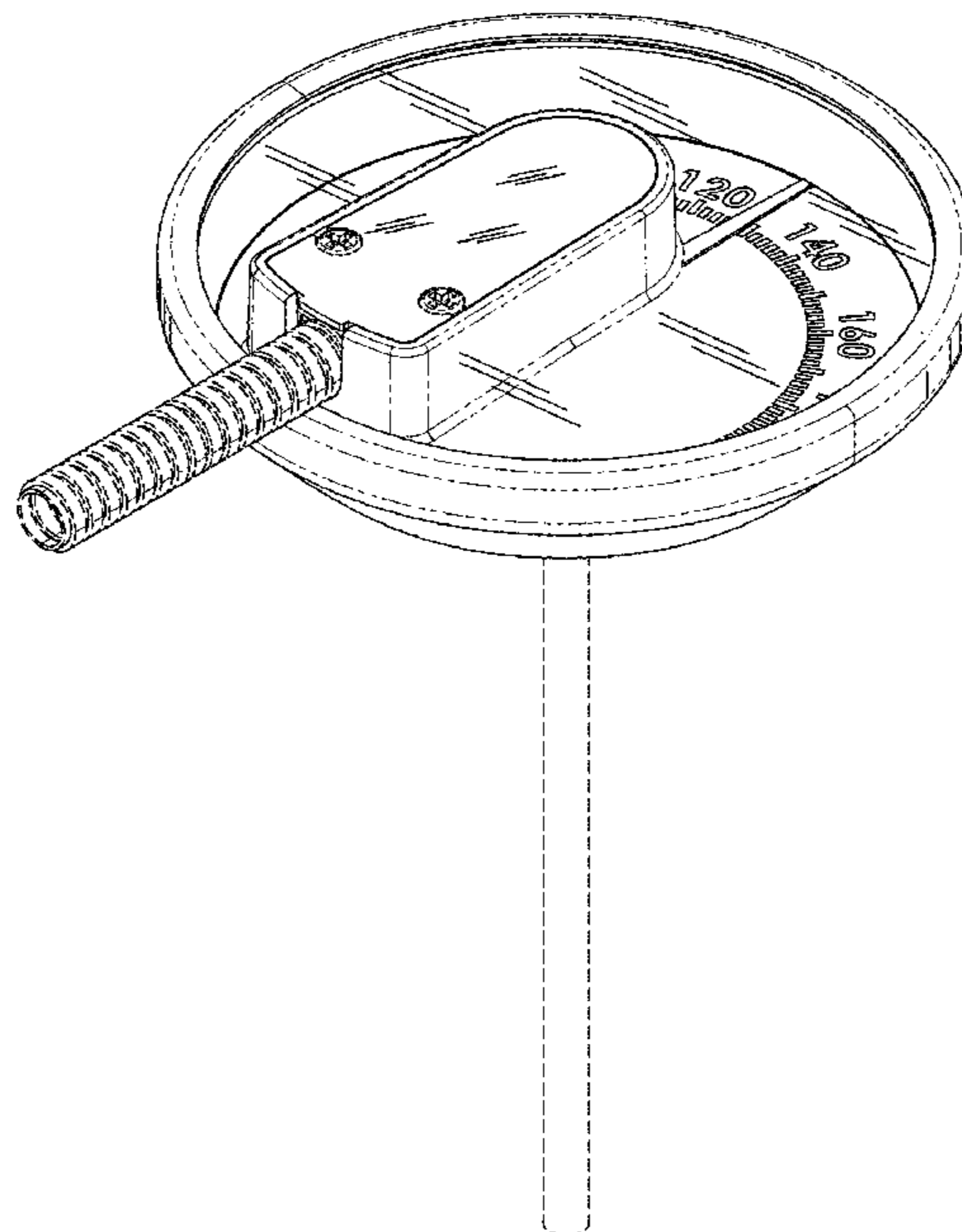
(57) **CLAIM**
 The ornamental design for a remote ready temperature gauge, as shown and described.

DESCRIPTION

FIG. 1 is a right side isometric view of a remote ready temperature gauge showing my new design;
 FIG. 2 is a top plan view thereof;
 FIG. 3 is a front elevational view thereof;
 FIG. 4 is a rear elevational view thereof;
 FIG. 5 is a right side elevational view thereof;
 FIG. 6 is a left side elevational view thereof; and,
 FIG. 7 is a top plan view thereof in accordance with a further embodiment of the invention.
 The dashed lines shown on the drawings represent unclaimed portions of the design and form no part thereof.

1 Claim, 7 Drawing Sheets

- (56) **References Cited**
U.S. PATENT DOCUMENTS
 4,595,301 A * 6/1986 Taylor 374/207
 D300,008 S * 2/1989 Zalman D10/57
 D308,343 S * 6/1990 Aloise et al. D10/57
 D457,822 S * 5/2002 Rushton D10/57
 6,415,672 B1 * 7/2002 Hamilton et al. 73/866.3
 6,564,632 B2 5/2003 Ross, Jr.
 6,584,838 B2 7/2003 Lorenzen
 6,679,116 B2 1/2004 Ross, Jr.



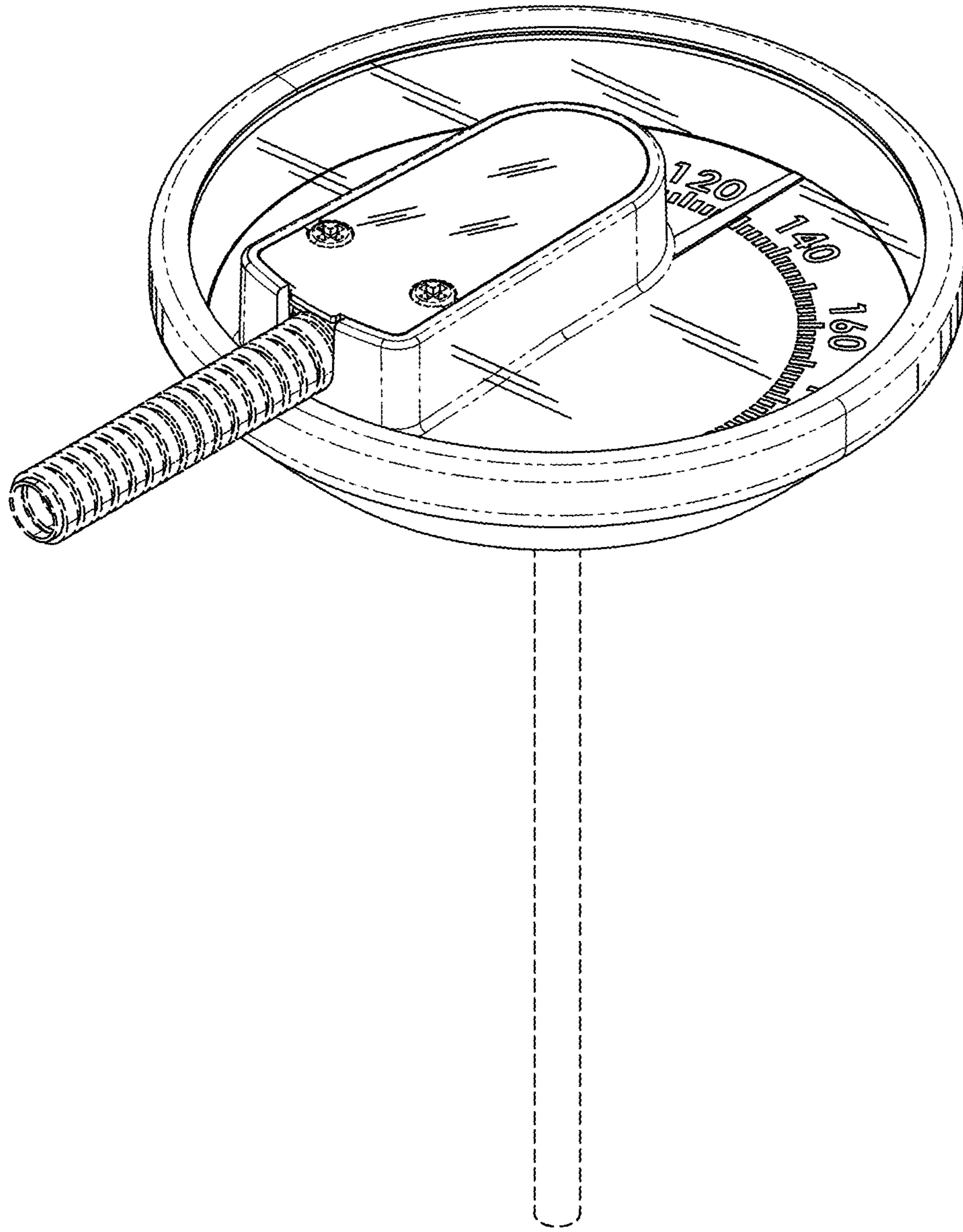


FIG. 1

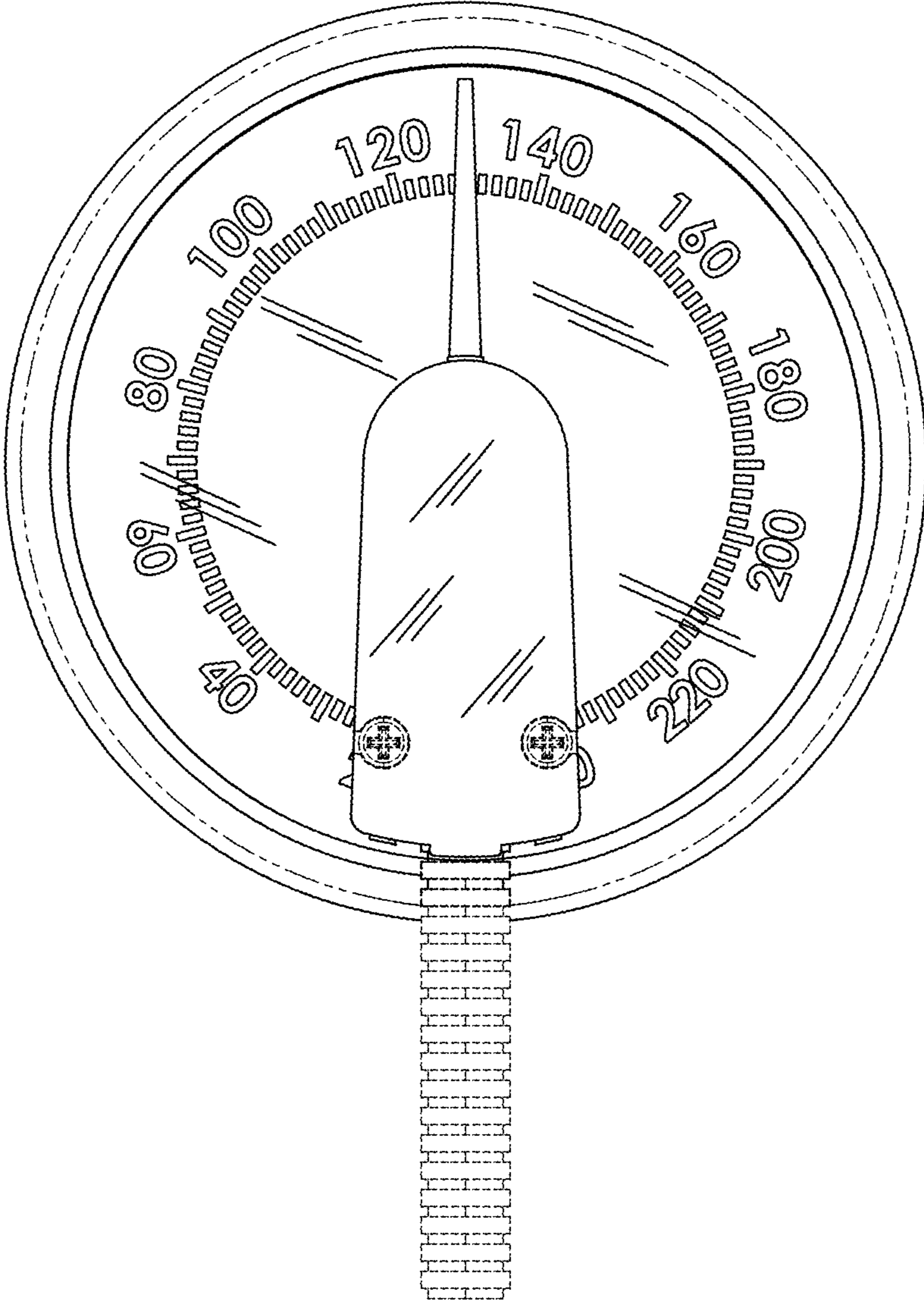


FIG. 2

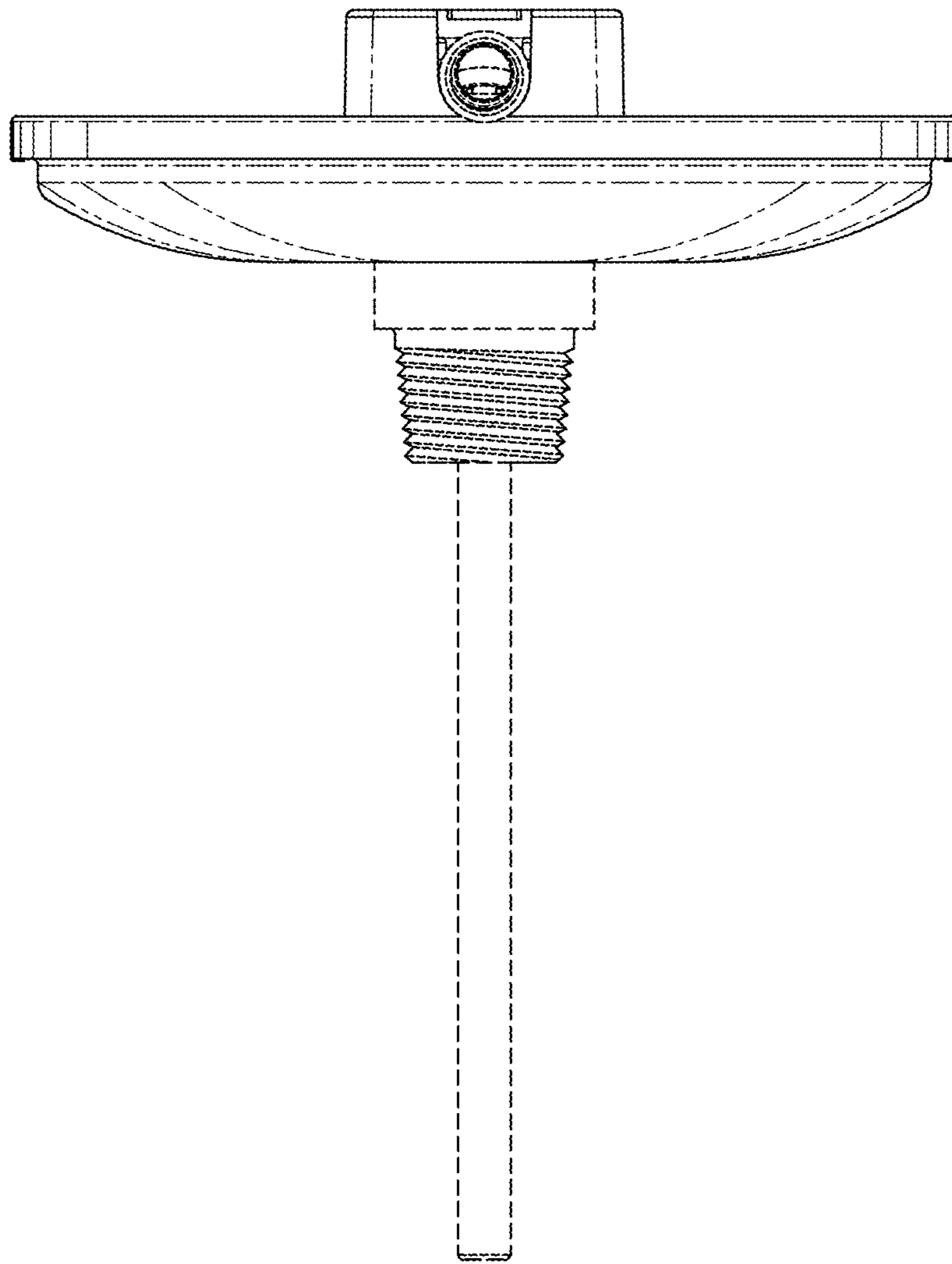


FIG. 3

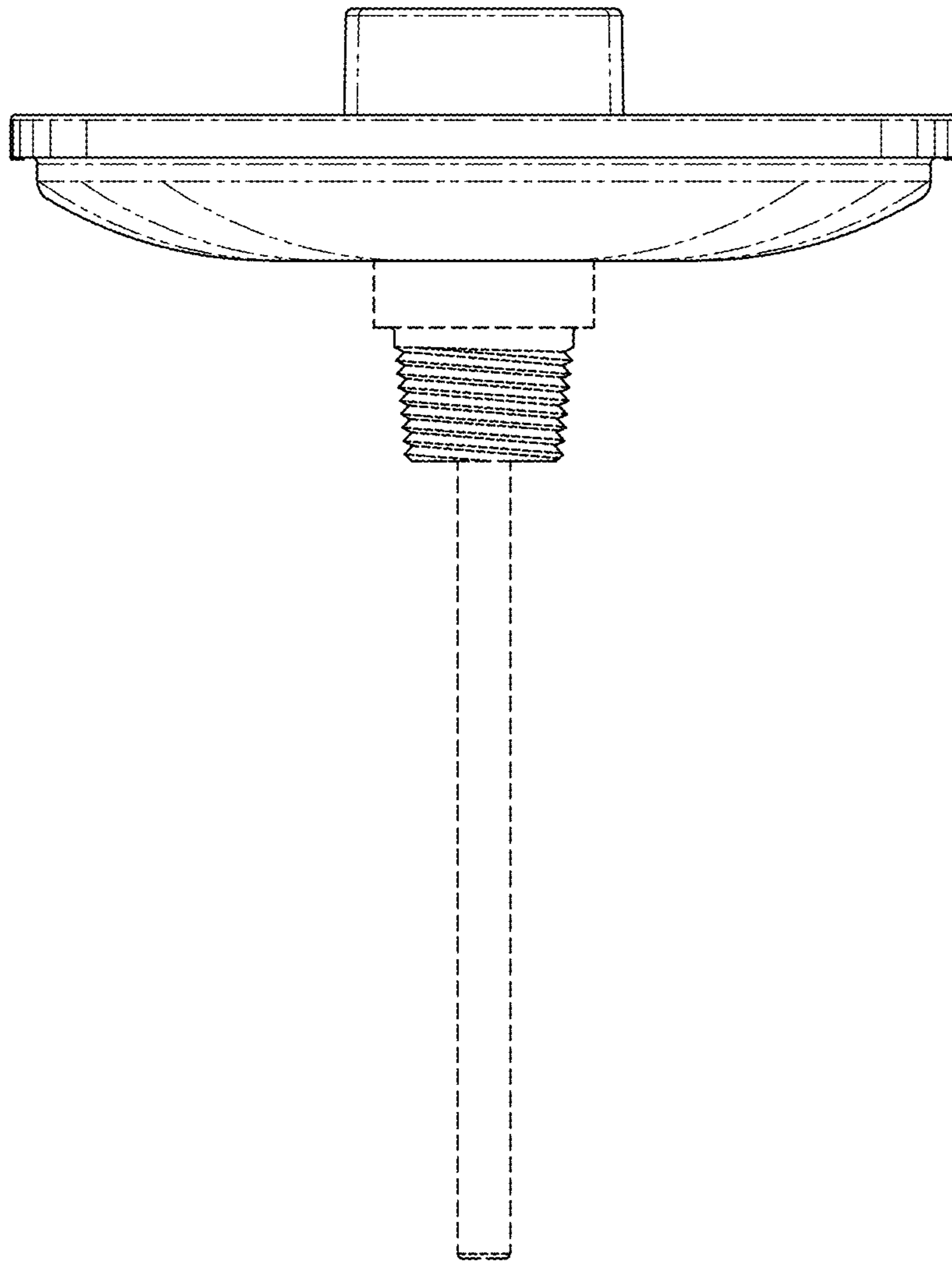


FIG. 4

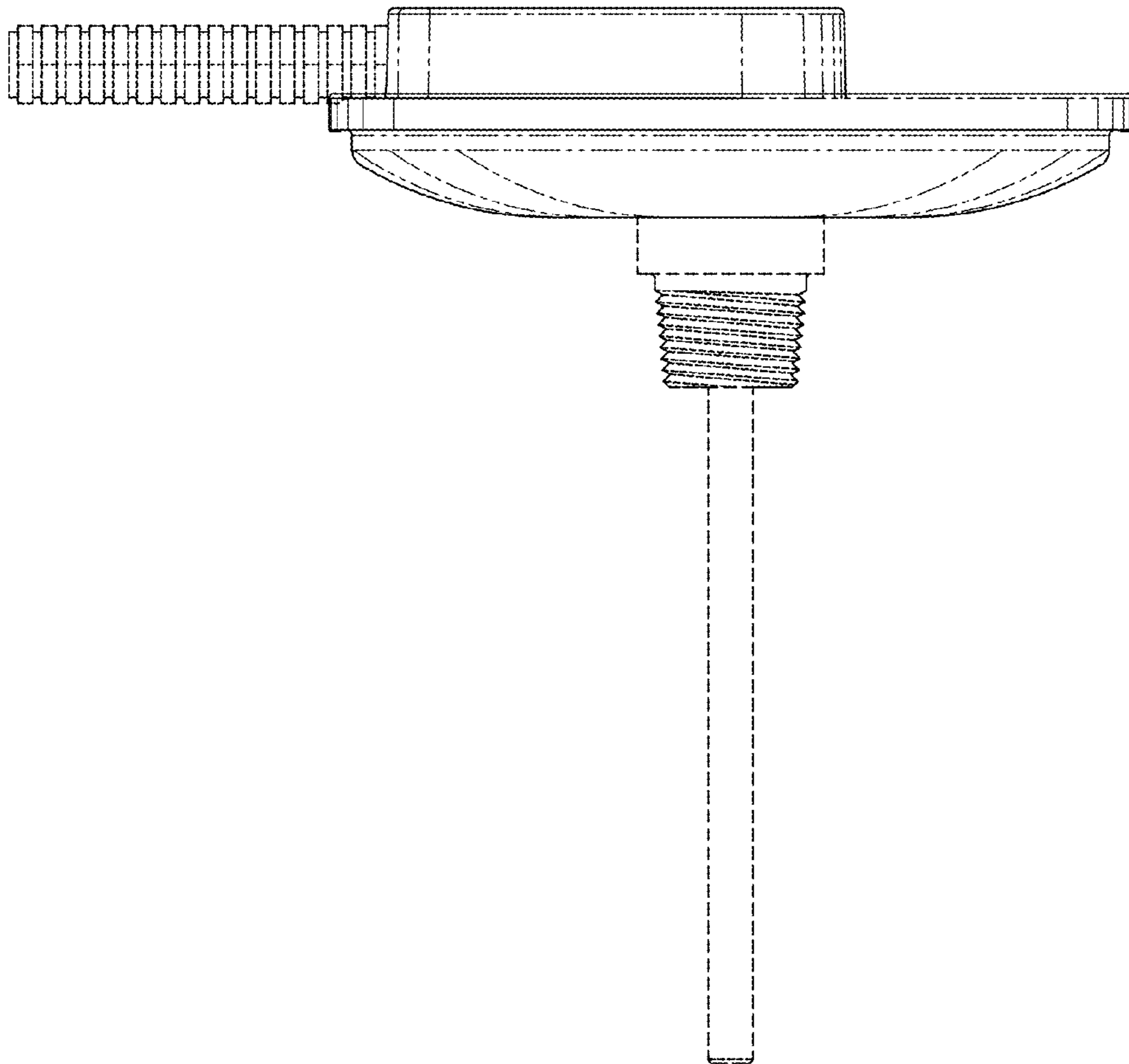


FIG. 5

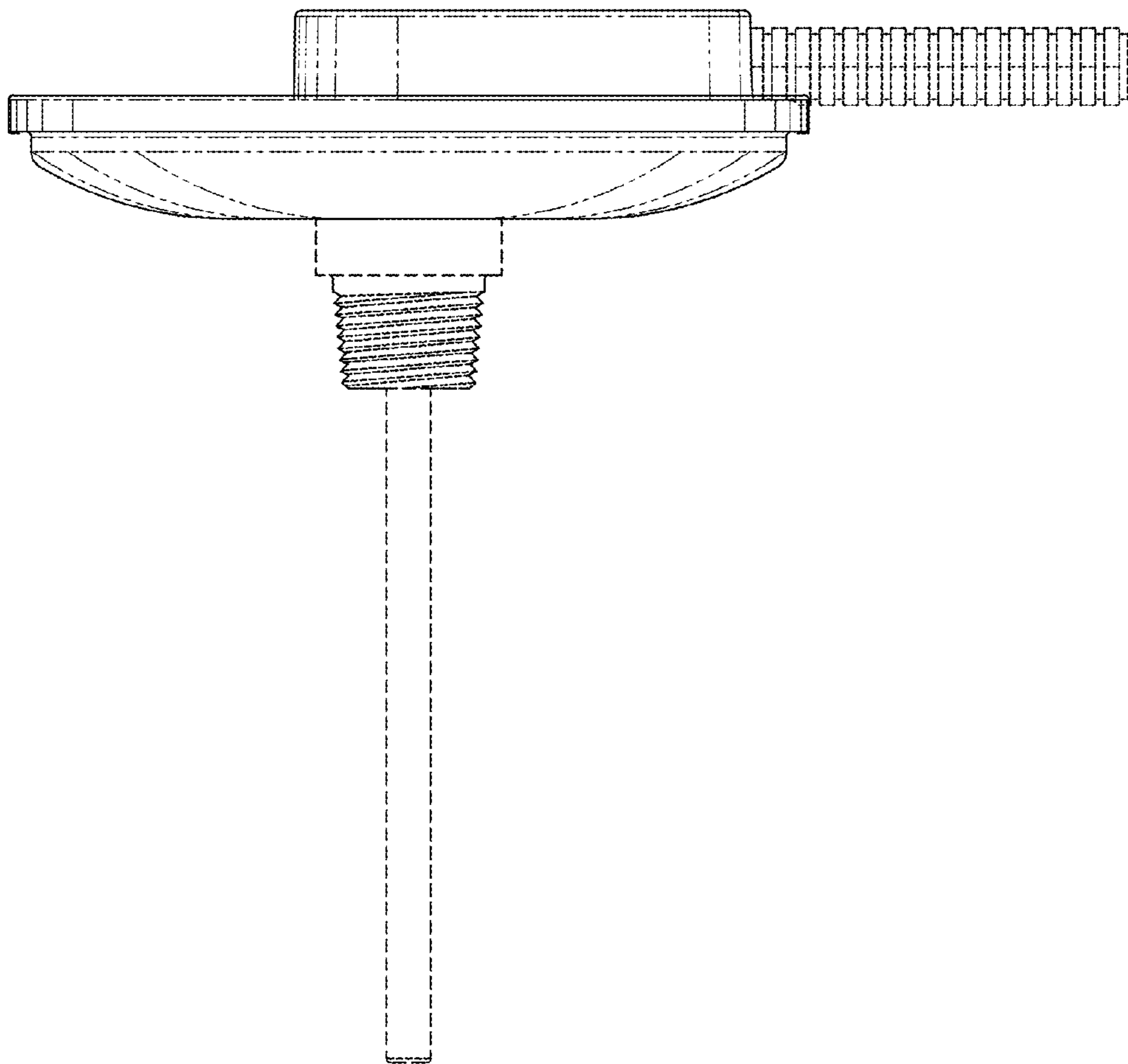


FIG. 6

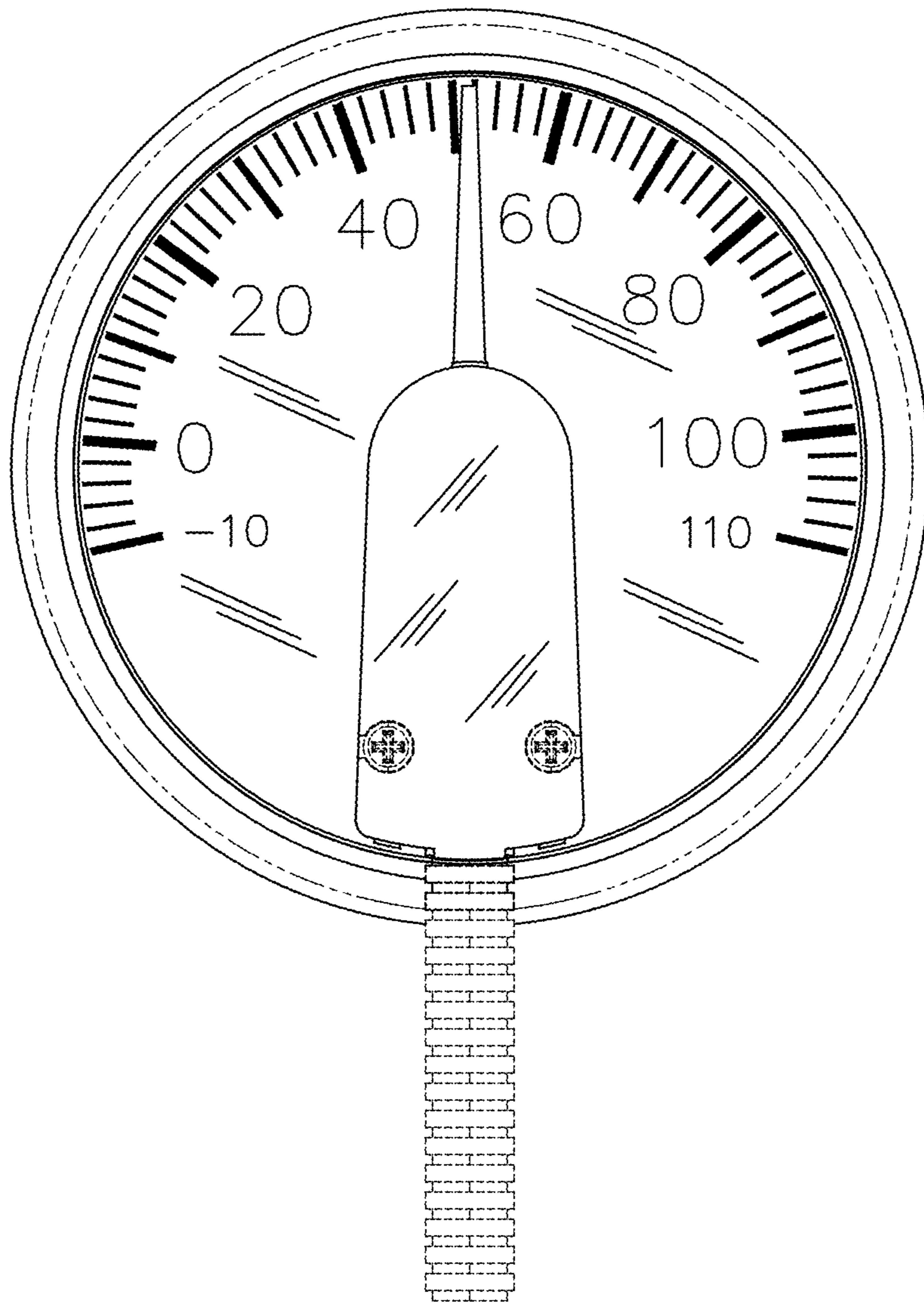


FIG. 7